

MITSUBISHI

**GT16 RGB Output Unit
User's Manual**

GT16M-ROUT

Thank you for purchasing the GOT1000 Series.

Prior to use, please read both this manual and detailed manual thoroughly to fully understand the product.

MODEL	GT16M-ROUT-U
MODEL CODE	1D7M86
IB(NA)-0800430-A(0808)MEE	

GRAPHIC OPERATION TERMINAL
GOT1000

SAFETY PRECAUTIONS

(Always read these precautions before using this equipment.)

Before using this product, please read this manual and the relevant manuals introduced in this manual carefully and pay full attention to safety to handle the product correctly.

The precautions given in this manual are concerned with this product.

In this manual, the safety precautions are ranked as "DANGER" and "CAUTION".

DANGER

Indicates that incorrect handling may cause hazardous conditions, resulting in death or severe injury.

CAUTION

Indicates that incorrect handling may cause hazardous conditions, resulting in medium or slight personal injury or physical damage.

Note that the CAUTION level may lead to a serious accident according to the circumstances.

Always follow the precautions of both levels because they are important to personal safety.

Please save this manual to make it accessible when required and always forward it to the end user.

[DESIGN PRECAUTIONS]

CAUTION

- Do not bunch the control wires or communication cables with the main circuit or power wires, or lay them close to each other. As a guide, separate the lines by a distance of at least 100 mm (3.94 inch). Otherwise malfunctions may occur due to noise.

[INSTALLATION PRECAUTIONS]

DANGER

- Be sure to shut off all phases of the external power supply used by the system before mounting or removing this unit to/from the GOT. Not doing so can cause a unit failure or malfunction.
- Before connecting the Bus connection cable to this unit, always shut off GOT power and PLC CPU power externally in all phases. Not doing so can cause a malfunction.

CAUTION

- Use this unit in the environment given in the general specifications of the GT16 User's Manual. Not doing so can cause an electric shock, fire, malfunction or product damage or deterioration.
- Do not drop the unit or subject it to string shock. A unit damage may result.
- When installing this unit to the GOT, fit it to the connection interface of the GOT and tighten the mounting screws in the specified torque range. Undertightening can cause a drop, failure or malfunction. Overtightening can cause a drop, failure or malfunction due to screw or unit damage.

[WIRING PRECAUTIONS]

DANGER

- Be sure to shut off all phases of the external power supply used by the system before wiring. Failure to do so may result in an electric shock, product damage or malfunctions.

CAUTION

- Exercise care to avoid foreign matter such as chips and wire cutouts entering the unit. Not doing so can cause a fire, failure or malfunction.
- Make sure to securely connect the cable to the connector of unit. Incorrect connection may cause malfunctions.

[STARTUP AND MAINTENANCE PRECAUTIONS]

DANGER

- Before starting cleaning, always shut off GOT power externally in all phases. Not doing so can cause a unit failure or malfunction. Undertightening can cause the GOT to drop, short circuit or malfunction. Overtightening can cause a short circuit or malfunction due to the damage of the screws or unit.
- Do not disassemble or modify any unit. This will cause failure, malfunction, injuries, or fire.
- Do not touch the conductive areas and electronic parts of this unit directly. Doing so can cause a unit malfunction or failure.

CAUTION

- Always secure the cables connected to the unit, e.g. run them in conduits or clamp them. Not doing so can cause unit or cable damage due to dangling, moved or accidentally pulled cables or can cause a malfunction due to a cable contact fault.
- Do not hold the cable part when unplugging any cable connected to the unit. Doing so can cause unit or cable damage or a malfunction due to a cable contact fault.
- Always make sure to touch the grounded metal to discharge the electricity charged in the body, etc., before touching the unit. Failure to do so may cause a failure or malfunctions of the unit.

[DISPOSAL PRECAUTIONS]

CAUTION

- Dispose of this product as industrial waste.

[TRANSPORTATION PRECAUTIONS]

CAUTION

- Make sure to transport the GOT main unit and/or relevant unit(s) in the manner they will not be exposed to the impact exceeding the impact resistance described in the general specifications of the GT16 User's Manual, as they are precision devices. Failure to do so may cause the unit to fail. Check if the unit operates correctly after transportation.

Manuals

The following shows manuals relevant to this product.

Detailed Manual

Manual name	Manual Number (Model code)
GT16 User's Manual (Sold separately)	SH-080778ENG (1D7M23)
GOT1000 Series Connection Manual (1/3 to 3/3) (Sold separately)	SH-080532ENG (1D7M88)
GT Designer2 Version2 Screen Design Manual (For GOT1000 Series) (1/3 to 3/3) (Sold separately)	SH-080530ENG (1D7M25)

Relevant Manuals

For relevant manuals, refer to the PDF manuals stored in the GT Designer2 CD-ROM.

© 2008 MITSUBISHI ELECTRIC CORPORATION

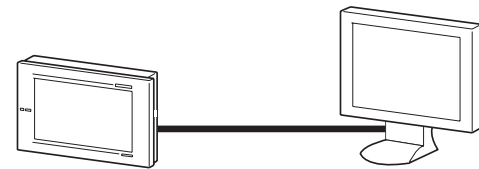
Packing List

After unpacking the box, check that the following products are included.

Model	Product	Quantity
GT16M-ROUT	RGB output unit	1
	Mounting screw set (4 screws, 4 stickers)	1
	Extension interface relay board	1

1. OVERVIEW

This User's Manual describes the GT16M-ROUT RGB output unit (referred to as the RGB output unit hereinafter). When mounting RGB output unit with GT16□ □ M the RGB output unit can external display screens on GOT.



GOT+GT16M-ROUT

External display

To use the RGB output unit set the communication settings. For the settings and system configurations, refer to GOT1000 Series Connection Manual. For RGB output functions, refer to GT Designer2 Version□ Screen Design Manual.

2. SPECIFICATIONS

The following shows the performance specifications of the the RGB output unit.

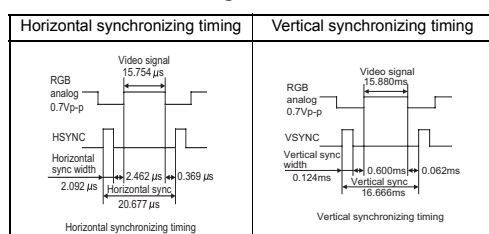
The general specifications of the RGB output unit are the same as those of the GOT.

For the general specifications of the GOT, refer to GT16 User's Manual.

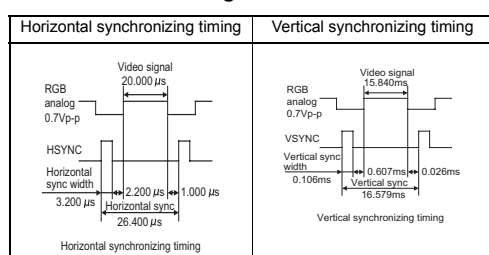
2.1 RGB output unit

Item	Specifications	
	GT1695M-X	GT1685M-S
RGB output format	Analog RGB	
Display size (dot)	XGA: 1024 x 768	SVGA: 800 x 600
Number of RGB output channels	1 channel	
Dot clock	65.000 MHz	40.000 MHz
Horizontal scanning frequency	48.400 kHz	37.900 kHz
Vertical scanning frequency	60.004 Hz	60.317 Hz
Timing chart	Refer to 2.2.	Refer to 2.3.
Connector for external connection	D-Sub15 pin: female	
Internal current consumption	3.3VDC	0.13A
	5.0VDC	0.11 A
Weight	0.17 kg (0.34 lb)	

2.2 GT1695M-X Timing Chart

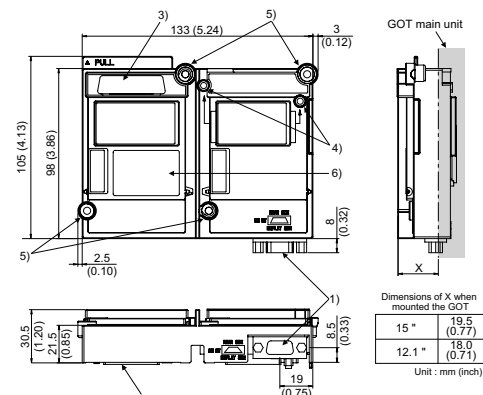


2.3 GT1685M-S Timing Chart



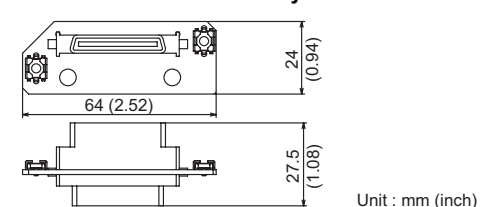
3. PART NAMES AND EXTERNAL DIMENSIONS

3.1 RGB Output Unit



No.	Name	Description
1)	Connector for RGB output	Connector for connecting a 9-core combined cable
2)	Interface connector	Connector connected to the GOT
3)	Extension connector	Connector for connecting an extension unit
4)	Board fixing screw	Screw for fixing the extension interface relay board
5)	Mounting screw	Screw for fixing the RGB output unit
6)	Rating plate	-

3.2 Extension Interface Relay Board



4. INSTALLATION PROCEDURE

- Turn off the GOT.
- Remove two extension unit covers of the GOT.
- Connect the extension interface relay board to the extend I/F-2 on the GOT. Remove the connector cover from the board.
- Fit the RGB output unit in the GOT case. Remove the connector cover.
- Tighten four mounting screws with a torque of 0.36 to 0.48 N·m to fix the unit.
- Tighten two board fixing screws with a torque of 0.36 to 0.48 N·m to fix the board.
- For mounting any extension unit on the RGB output unit, remove the connector cover and the stickers. For mounting no extension unit on the RGB output unit, cover over four mounting screws with the accessory stickers to avoid static electricity. Keep the connector cover fixed. Keep all the stickers fixed.

Point

Remove the screws that fixes the extension interface relay board before removing the unit.(Above 6))

Warranty

Mitsubishi will not be held liable for damage caused by factors found not to be the cause of Mitsubishi; machine damage or lost profits caused by faults in the Mitsubishi products; damage, secondary damage, accident compensation caused by special factors unpredictable by Mitsubishi; damages to products other than Mitsubishi products; and to other duties.

For safe use

- This product has been manufactured as a general-purpose part for general industries, and has not been designed or manufactured to be incorporated in a device or system used in purposes related to human life.
- Before using the product for special purposes such as nuclear power, electric power, aerospace, medicine or passenger movement vehicles, consult with Mitsubishi.
- This product has been manufactured under strict quality control. However, when installing the product where major accidents or losses could occur if the product fails, install appropriate backup or failsafe functions in the system.

Country/Region	Sales office/Tel
U.S.A	Mitsubishi Electric Automation Inc. 500 Corporate Woods Parkway Vernon Hills, IL 60061, U.S.A. Tel : +1-847-478-2100
Brazil	MELCO-TEC Rep. Com.e Assessoria Tecnica Ltda. Rua Correia Dias, 184, Edificio Paraiso Trade Center-8 andar Paraiso, Sao Paulo, SP Brazil Tel : +55-11-5908-8331
Germany	Mitsubishi Electric Europe B.V. German Branch Golthaer Strasse 8 D-40880 Ratingen, GERMANY Tel : +49-2102-486-0
U.K	Mitsubishi Electric Europe B.V. UK Branch Travellers Lane, Hatfield, Hertfordshire, AL10 8XB, U.K. Tel : +44-1707-276100
Italy	Mitsubishi Electric Europe B.V. Italian Branch Centro Dir. Colleoni, Pal. Persero-Ing.2 Via Paracelso 12, I-20041 Agrate Brianza, Milano, Italy Tel : +39-039-60531
Spain	Mitsubishi Electric Europe B.V. Spanish Branch Carretera de Rubi 76-80, E-08190 Sant Cugat del Valles, Barcelona, Spain Tel : +34-93-565-3131
France	Mitsubishi Electric Europe B.V. French Branch 25, Boulevard des Bouvels, F-92741 Nanterre Cedex, France TEL : +33-1-5568-5568
South Africa	Circuit Breaker Industries Ltd. Private Bag 2016, ZA-1600 Isando, South Africa Tel : +27-11-828-2000
Hong Kong	Mitsubishi Electric Automation (Hong Kong) Ltd. 10th Floor, Manulife Tower, 169 Electric Road, North Point, Hong Kong Tel : +852-2887-8870
China	Mitsubishi Electric Automation (Shanghai) Ltd. 4/F Zhi Fu Plaza, No.80 Xin Chang Road, Shanghai 200003, China Tel : +86-21-6120-0808
Taiwan	Setsuyo Enterprise Co., Ltd. 6F No.105 Wu-Kung 3rd.Rd, Wu-Ku Hsiang, Taipei Hsine, Taiwan Tel : +886-2-2299-2499
Korea	Mitsubishi Electric Automation Korea Co., Ltd. 1480-6, Gayang-dong, Gangseo-ku Seoul 157-200, Korea Tel : +82-2-3660-9552
Singapore	Mitsubishi Electric Asia Pte. Ltd. 307 Alexandra Road #05-01/02, Mitsubishi Electric Building, Singapore 159943 Tel : +65-6470-2460
Thailand	Mitsubishi Electric Automation (Thailand) Co., Ltd. Bang-Chan Industrial Estate No.111 Moo 4, Senithai Rd, T.Kannayao, A.Kannayao, Bangkok 10230 Thailand Tel : +65-2-517-1326
Indonesia	P.T. Autoteknindo Sumber Makmur Muara Karang Selatan, Block A/Utara No.1 Kav. No.11 Kawasan Industri Pergudangan Jakarta - Utara 14440, P.O.Box 5045 Jakarta, 11050 Indonesia Tel : +62-21-6830833
India	Messung Systems Pvt. Ltd. Electronic Sadan NO-III Unit No15, M.I.D.C Bhosari, Pune-411026, India Tel : +91-20-2712-3130
Australia	Mitsubishi Electric Australia Pty. Ltd. 348 Victoria Road, Rydalmere, N.S.W 2116, Australia Tel : +61-2-9684-7777

MITSUBISHI ELECTRIC CORPORATION
HEAD OFFICE : TOKYO BUILDING, 2-7-3 MARUNOUCHI, CHYODA-KU, TOKYO 100-8310, JAPAN
NAGOYA WORKS : 1-14, YADA-MINAMI 5-CHOME, HIGASHI-KU, NAGOYA, JAPAN

When exported from Japan, this manual does not require application to the Ministry of Economy, Trade and Industry for service transaction permission.

Specifications subject to change without notice. Printed in Japan.