

AQUALENS™

MANUAL VERSION 4



Aquabotix Technology Corporation. All rights reserved. July 2015

Trademarks used in this guide, Aquabotix and HydroView, are trademarks of Aquabotix Technology Corporation. Other names mentioned in this guide may be trademarks or registered trademarks of their respective owners.

TABLE OF CONTENTS

3	LEGAL DISCLAIMER
6	CHAPTER 1 – SYSTEM
6	Overview
7	Specifications
8	CHAPTER 2 – ASSEMBLY
8	Pole Attachment
9	Topside Box Connection
10	LCD Screen Wrist Mount Assembly
11	LCD Screen Sticker Mount Assembly
12	LCD Screen Screw Mount Assembly
13	Batteries
14	CHAPTER 3 – MAINTENANCE
17	CHAPTER 4 - WARRANTY

LEGAL DISCLAIMER

Trademarks used in this guide, Aquabotix and AquaLens, are trademarks of Aquabotix Technology Corporation. Other names mentioned in this guide may be trademarks or registered trademarks of their respective owners. The purpose of this manual is to provide HydroView users with a clear understanding of operating procedures. If further information is needed, contact Aquabotix at support@aquabotix.com or 508.676.1000.

website: www.aquabotix.com

LEGAL DISCLAIMER

Important Safety Instructions

Assemble and use AquaLens only as instructed by this manual.

Read and follow these important safety instructions and the detailed assembly in this manual prior to using the AquaLens.

Follow all safety and operational warnings and heed all additional restrictions on use.

Refer all non-routine service issues to Aquabotix at (508) 676 - 1000 or support@aquabotix.com.

Safety and Operational Warnings

Assemble AquaLens in a safe, dry place. Do not assemble while submerged in water or allow AquaLens to get wet before it is fully assembled and enclosed in the watertight dome. Do not assemble with wet hands.

AquaLens is powered by eight (8) AA Alkaline batteries. Do not use any other type of battery or powering device for AquaLens. Caution should be used when inserting or changing batteries.

Do not attempt to insert or change batteries into AquaLens while submerged in water. Do not let the battery assembly area get wet. Do not assemble with wet hands.

When using topside power to operate your AquaLens, use caution to prevent shock or damage.

The AquaLens dome must be completely secured to keep it watertight. Check the security of the dome before submersion. To tighten, line up the grooves and turn clockwise until it locks.

The topside box and LCD screen are not waterproof. Do not submerge the topside box or LCD screen in water. Do not let the topside box or LCD screen get wet.

AquaLens is meant for depths no greater than 50 feet from the water surface. Do not go beyond this depth due to limitation as operational safety is not tested and rated for such depths.

Secure all cables on board to prevent tripping hazards. Do not submerge cable connector plugs, let them get wet or handle them with wet hands.

LEGAL DISCLAIMER

Assure cable is properly secured to pole with adapter or straps before use. AquaLens will sink if not properly secured.

Inspect AquaLens prior to use. If there is any sign of water inside the camera or housing unit or other damage, do not use. Send AquaLens to Aquabotix for service.

Do not attempt to dislodge or pry foreign objects from AquaLens. Send AquaLens to Aquabotix for service.

Additional Restrictions On Use

AquaLens is meant for operation by adults over 18 years of age only. Keep AquaLens out of the reach of children and supervise children and pets when AquaLens is in operation.

Do not use AquaLens in rain, rough sea conditions and/or storms. Do not use AquaLens while underwater machinery is in operation.

Do not touch AquaLens to underwater marine growth. Keep AquaLens clear of all underwater objects.

Do not expose AquaLens to high temperatures above 40° C / 104° F; avoid direct sunlight.

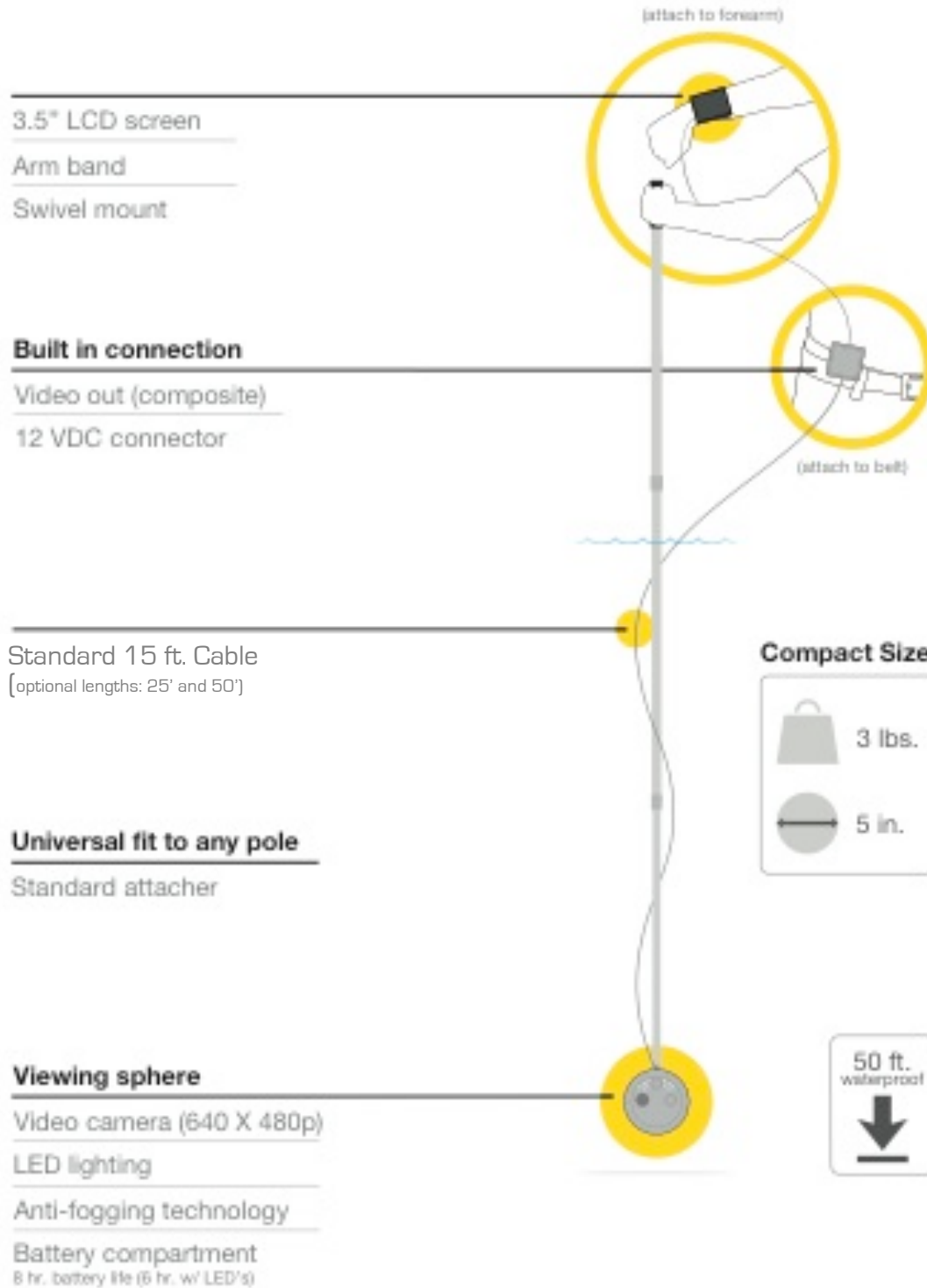
Use AquaLens in the recommended operating water temperature range of 2° C / 35° F to 32° C / 89° F.

Dropping AquaLens or subjecting it to strong force may damage the device and its watertight dome. Handle with care.



Failure to follow these important safety instructions and the detailed assembly and use instructions of this manual will void your limited warranty from Aquabotix and may result in serious injury or death. Aquabotix disclaims all liability arising from or caused by the failure to assemble and use HydroView in accordance with this manual, including all important safety instructions.

CHAPTER 1 - SYSTEM

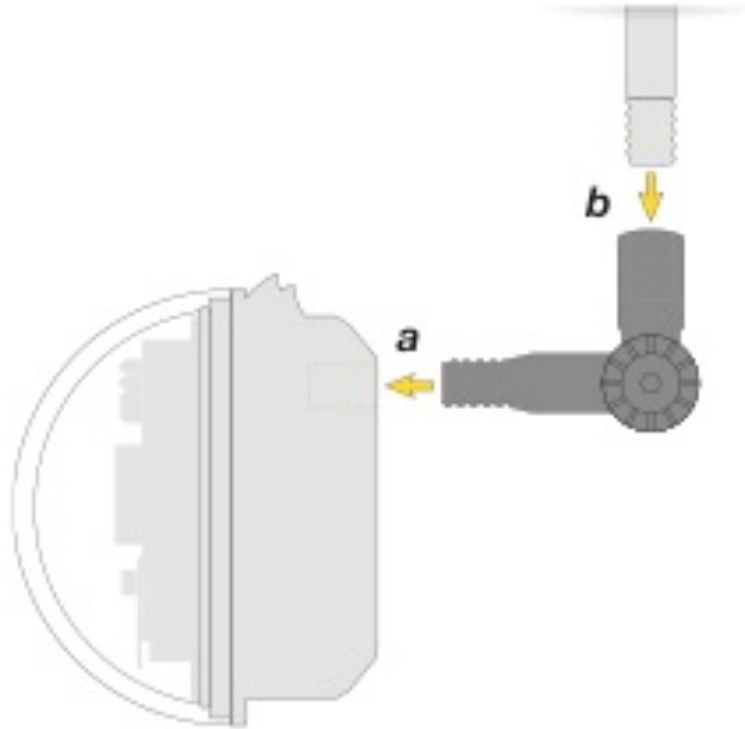


SYSTEM

Specifications

Diameter	5 inches
Weight	10 pounds
Depth	50 feet – cable dependent
Operating Voltage	10 VDC
Battery Run Time	10 hours (8 AA batteries required)
Monitor	3.5 inch LCD screen
Camera	Total resolution 640 x 480
Color	Yellow

CHAPTER 2 - ASSEMBLY

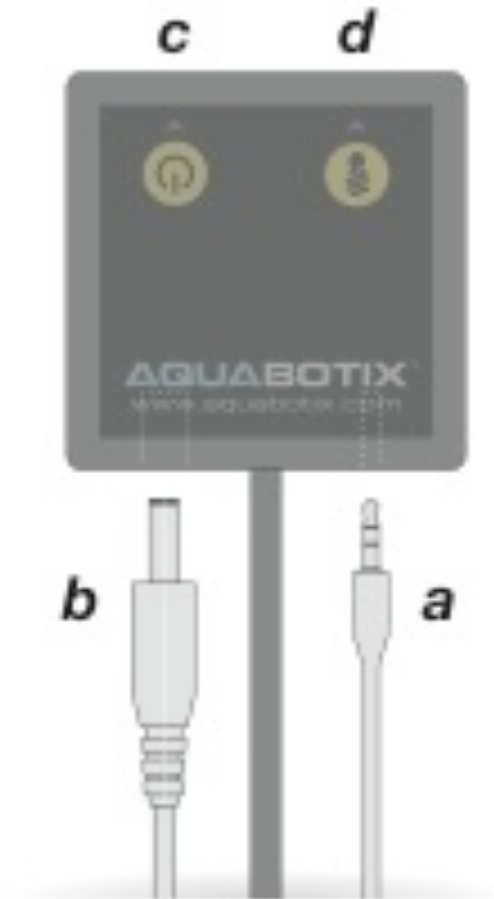


Pole Attachment (preferred method)

If using a pole with threaded end:

- a) Thread the angular adapter into the hole on the back of the viewing sphere. Be sure to align the angular adapter vertically with the camera.
- b) Thread your pole into the angular adapter.

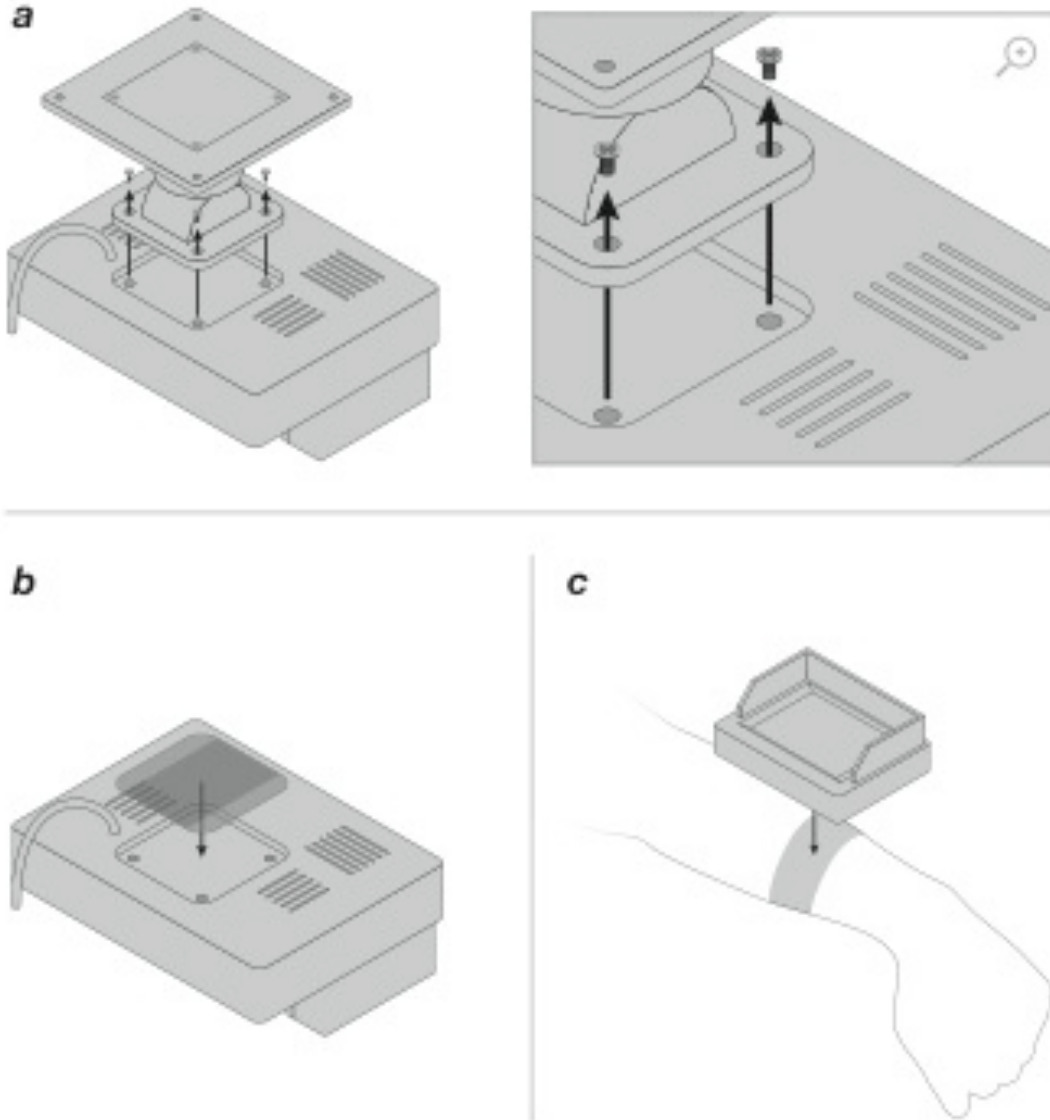
ASSEMBLY



Topside Box Connections

- a) Attach the camera connector cable to the topside box.
- b) Attach the AC power adaptor for continuous use (optional).
- c) Turn the power switch on.
- d) Toggle the lights on / off. Please note: The lights will not turn on unless the power switch is turned on.

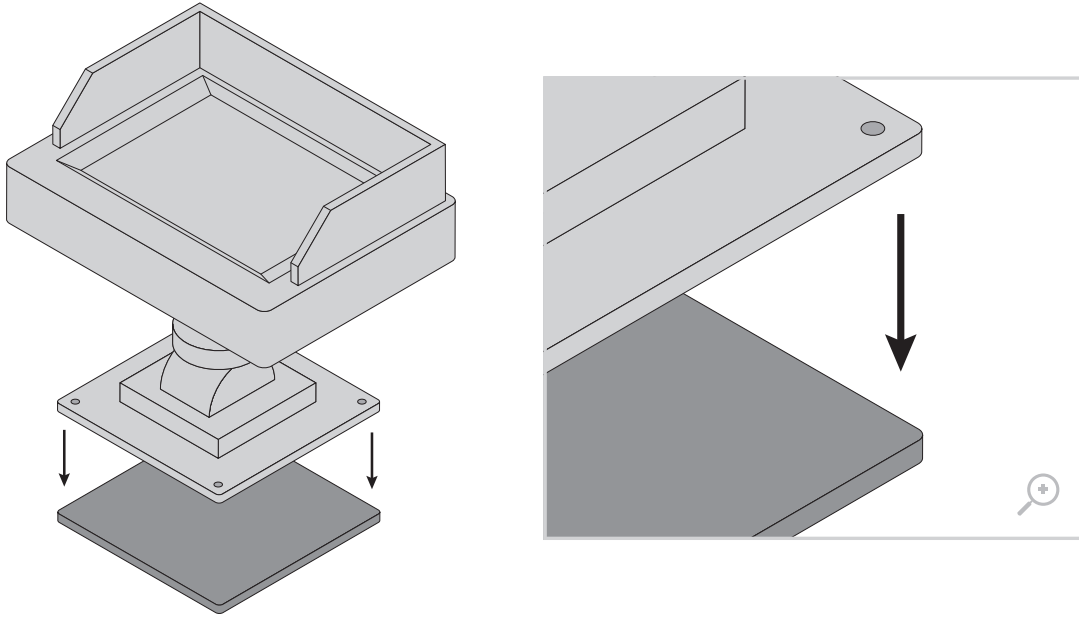
ASSEMBLY



LCD Screen Wrist Mount Assembly

- a) Unscrew the swivel mount from the LCD screen.
- b) Attach the provided pre-cut piece of Velcro to the back of the LCD screen.
- c) This will then attach to a provided wrist band, allowing you to wear the screen on your wrist.

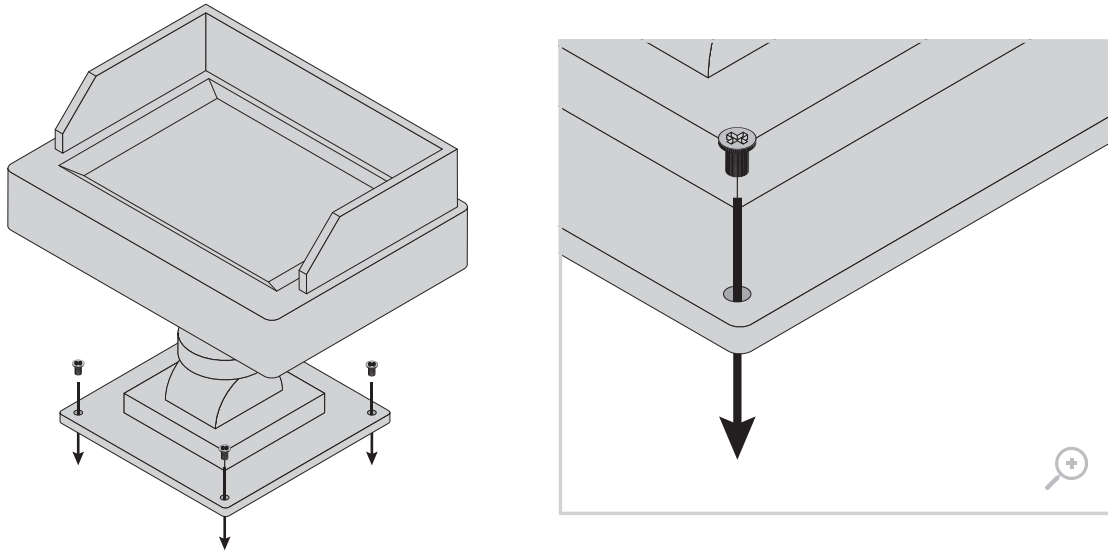
ASSEMBLY



LCD Screen Sticker Mount Assembly

- a) Attach the swivel mount to the provided pre-cut sticker and mount directly to your desired location.
- b) Move the screen up and down for convenient viewing.

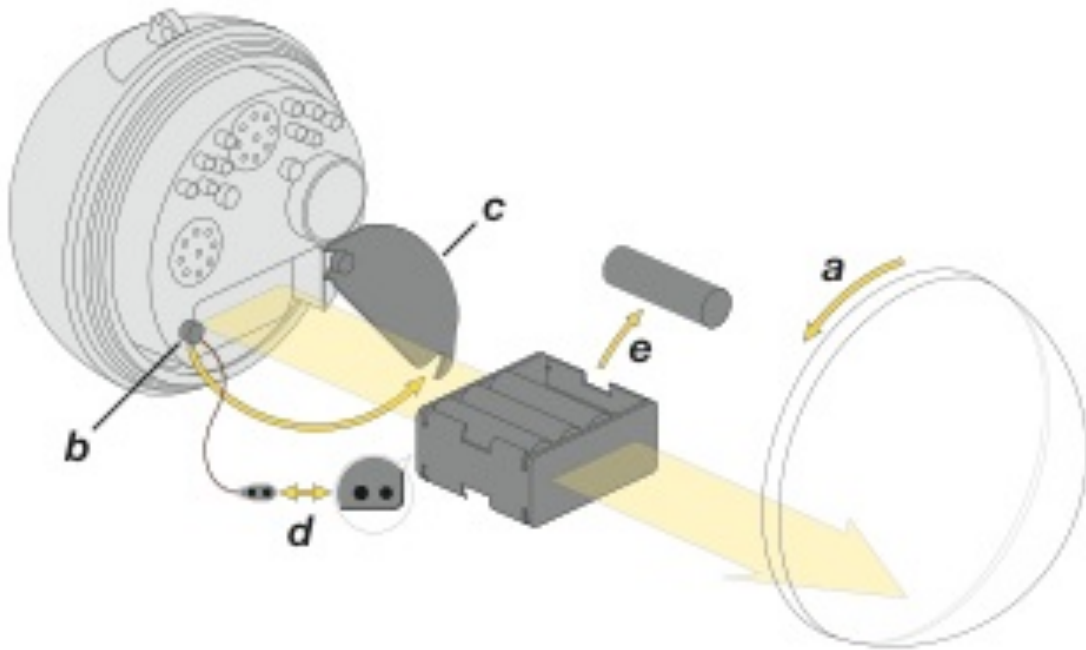
ASSEMBLY



LCD Screen Screw Mount Assembly

- a) Attach the swivel mount directly to your desired location using 4 screws (not provided).
- b) Move the screen up and down for convenient viewing.

ASSEMBLY



Batteries

- a) Remove dome, turning counterclockwise. Use caution when handling your dome to prevent scratches and to protect clarity. Use caution when handling O-ring to be sure the area remains clean to ensure a water tight seal.
- b) With viewing sphere facing you, loosen, not remove, both screws with your fingers.
- c) Swivel battery access plate to get to battery pack.
- d) Disconnect the battery pack, using the battery electrical snap.
- e) Insert eight (8) AA batteries (not supplied).

Reconnect the battery pack, using the battery electrical snap. Swivel battery access plate to cover battery pack. Tighten both screws on the access plate with your fingers. Re-attach dome by lining up the grooves and turning clockwise until it locks.

Use caution when handling O-ring to be sure the area remains clean to ensure a water tight seal.

MAINTENANCE

Removing Dome

To remove dome, turn counter clockwise and remove. Use caution when handling your dome to prevent scratches and to protect clarity.

Use caution when handling O-ring to be sure the area remains clean to ensure a water tight seal.

Cleaning Dome

Using an acrylic glass cleaner, spray onto surface of dome and rub in with a microfiber cloth.

Preventing Fogging On Dome

- 1) Remove dome, turning counter clockwise. Use caution when handling O-ring to be sure the area remains clean to ensure a water tight seal.
- 2) Spray a small amount of anti-fogging spray on the inside surface of dome.
- 3) Wipe area with a small cloth until surface is clear.
- 4) Re-apply as required.

After Water Care

- 1) Rinse AquaLens with fresh water.
- 2) Wipe down, using a microfiber lens cleaning cloth.
- 3) Safely store AquaLens---cover dome to protect from scratches.

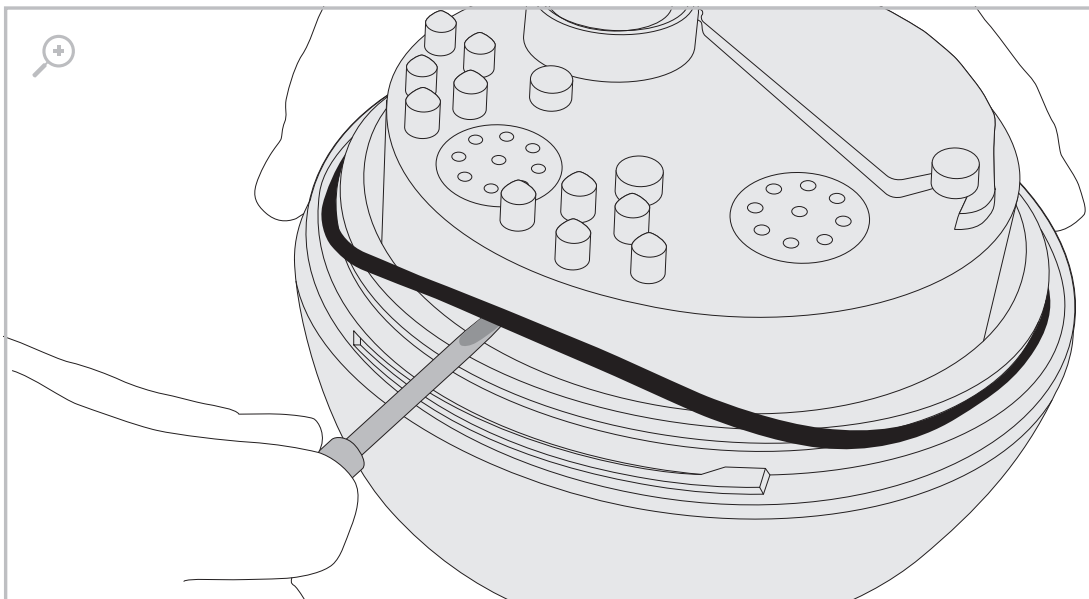
MAINTENANCE

Recommended Replacement Periods

O-ring: Every 6 months.

Moisture absorbing pack: Every 6 months.

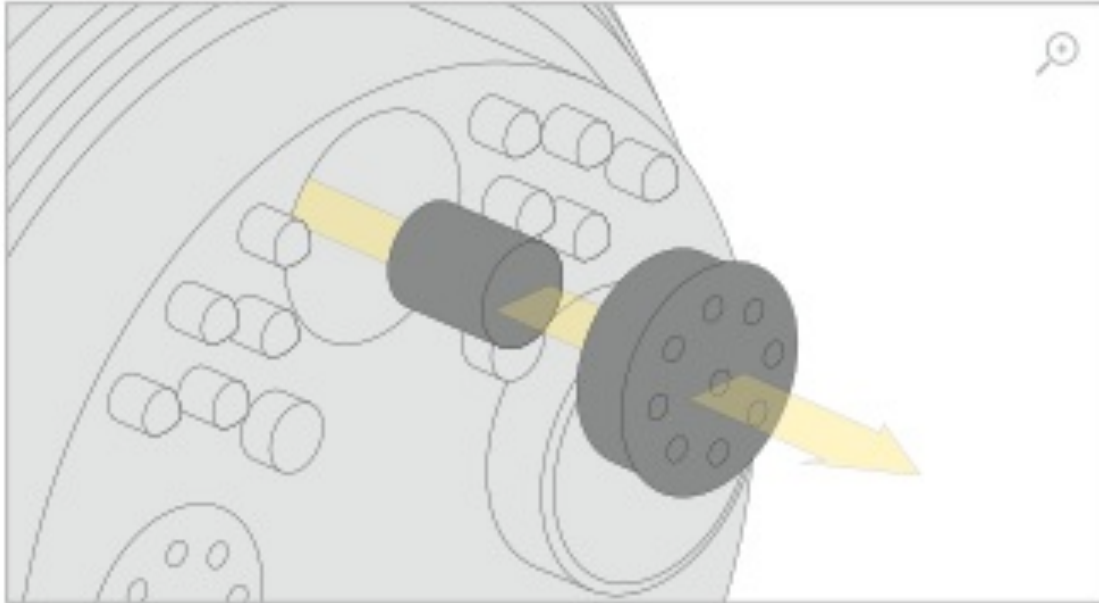
To purchase these from Aquabotix, visit our online store---accessed through our website at www.aquabotix.com.



Replacing O-ring

1. Remove dome, turning counter clockwise.
2. To remove O-ring, use an O-ring removal tool or something flat that can remove it, such as a flat head screwdriver or tweezers.
3. Remove replacement O-ring from package. Inspect for cracks and tears.
4. Lubricate O-ring with an O-ring lubricant, found at most hardware stores.
5. Insert O-ring. Use caution when handling O-ring to be sure the area remains clean to ensure a water tight seal.
6. Re-attach dome by lining up the grooves and turning clockwise until it locks.

MAINTENANCE



Replacing Moisture Absorbing Pack

1. Remove dome, turning counter clockwise. Use caution when handling O-ring to be sure the area remains clean to ensure a water tight seal.
2. Pull off black cap.
3. Moisture absorbing pack will be exposed.
4. Take out moisture absorbing pack and replace.
5. Re-attach black cap.
6. Re-attach dome by lining up the grooves and turning clockwise until it locks. *Use caution when handling O-ring to be sure the area remains clean to ensure a water tight seal.*

WARRANTY

AquaLens One Year Limited Warranty Certificate

Aquabotix warrants that, under normal use and service, the AquaLens will be free from defects in material and workmanship for one year from the date of purchase, applies only to the original purchaser and may not be transferred. Unless authorized by Aquabotix, any modification, customization, repair, disassembly of the product, abuse, exposure to contamination, excessive electric or magnetic force will void this warranty.

If Aquabotix receives, during the applicable warranty period, notice of defect in any product which is covered by Aquabotix's warranty, Aquabotix shall either replace or repair the product at Aquabotix's discretion.

If Aquabotix is unable to repair or replace, as applicable, a defective product which is covered by Aquabotix's warranty, Aquabotix shall, within a reasonable time after being notified about the defect, refund the full purchase price of the product. Aquabotix shall have no obligation to repair, replace or refund the purchase or product until the customer submits an RMA form and returns the defective product to Aquabotix.

Warranty does not cover the following: damage caused by abuse or misuse, improper maintenance, incorrect assembly, accidental damage, or damage due to incorrect power connection as described in the user manual. Consumable items including o-rings, moisture absorbing packs, LED lights and batteries are specifically excluded from the warranty. Items subject to normal wear and tear include, but are not limited to, the lens and the outer shell which are only covered for defects in workmanship or materials. In no event will Aquabotix be liable for any incidental or consequential damages.

Claims for damage, shortage or errors in shipping must be reported within three (3) days following delivery to the customer. Aquabotix is not responsible for returned items lost or damaged during shipping. A copy of the dated receipt or bill of sale from the original end user purchase is required to determine coverage.

This limited warranty gives you specific legal rights, and you may also have other rights which vary from state to state.

This model of the AquaLens is intended for personal and recreational use only. Aquabotix offers a separate commercial-grade PRO model of the AquaLens for use in commercial applications. The use of this model for commercial applications will void this limited warranty.

For further information contact Aquabotix at: returns@aquabotix.com or (508) 676-1000