

---

# Stainless Steel Chimney Extractor

LAM2404



User & Installation Guide

---

**LAMONA**  
Exclusive to Howdens Joinery Co.

---

Dear Customer,

Congratulations on your choice of a LAMONA domestic appliance which has been designed to give you excellent service.

**The user manual will help you use your product quickly and safely.**

- Please read this user manual before installing and using the product.
- Always follow the safety instructions.
- Keep this user manual within easy reach for future reference.
- Please read any other documents supplied with the product.

Explanation of symbols

Throughout this user manual the following symbols are used:



Important information or useful tips about usage.



Warning for possible hazards to health and property.



Warning possibility of electric shock.



This product's packaging material is recyclable. Help recycle it and protect the environment by dropping it off in the municipal receptacles provided for this purpose. Your product also contains a great amount of recyclable material. It is marked with this label to indicate that the used appliance should not be mixed with other waste. This way, the appliance recycling will be done under the best possible conditions, in compliance with European Directive 2002/96/EC on Waste Electrical and Electronic Equipment. Contact local council or your retailer for the used appliance collection points closest to your home. We thank you doing your part to protect the environment.

---

# Index

<b>Before using the extractor</b>	<b>03</b>
<b>Safety</b>	<b>03</b>
General	03
Safety for children	06
Safety when working with electricity	07
<b>General information and operation</b>	<b>08</b>
Extractor layout	08
Control panel layout	08
<b>Care and maintenance</b>	<b>09</b>
General Cleaning	09
Grease Filters	09
Carbon Filters	10
Replacing the Lamps	10
<b>Installation</b>	<b>11</b>
Methods of extraction	11
Extraction Via Ducting	11
Extraction Via Recirculation	11
Parts Identification	12
Hanging your extractor	13
Decorative Chimney Fitting	15
Electrical Connections	16
<b>Technical specification</b>	<b>17</b>
<b>Troubleshooting</b>	<b>17</b>
<b>Your Guarantee</b>	<b>18</b>

## Before using the Extractor

- Make sure that you have removed all packaging, wrappings, stickers and films from the Extractor

## Safety



This appliance is for domestic extraction purposes only. It must not be used for other purposes. Commercial use will void the guarantee.

The manufacturer shall not be liable for any damage caused by improper use, installation or handling errors.

## General

---

This product is not intended to be used by persons with physical, sensory or mental disorders or unlearned or inexperienced people (including children) unless they are supervised by a person who will be responsible for their safety or who will instruct them accordingly in the use of the product.

- Do not operate the product if the power cable is damaged. Call qualified service agent.
- Do not carry out any repairs or modifications on the product. However, you may remedy some the problems that do not require any repairs or modifications. See Troubleshooting, at the rear of this manual.
- Never wash down the product with excessive water, as there is the risk of electric shock!
- Never use the product when your judgment or coordination is impaired by the use of alcohol and/or drugs.
- Product must be disconnected from the mains during installation, maintenance, cleaning and repair procedures.
- Repair procedures must always be performed by qualified service agents. The manufacturer shall not be held responsible for damages arising from procedures carried out by unauthorised persons, which may also void the guarantee.

- Keep all ventilation slots clear of obstructions, as this may cause premature failure of the appliance
- Do not trap the mains cable and do not route it over surfaces which may become hot. The cable insulation may melt and cause a fire as a result of a short circuit.
- Make sure that the product function buttons are switched off after every use.
- Product must be installed by a qualified person in accordance with the regulations in force otherwise, the guarantee may become void.

## Safety for children

---

Electrical products can be dangerous to children. Keep children away from the product when it is operating and do not allow them to play with or near the product.

The packaging materials will be dangerous for children. Keep the packaging materials away from children. Please dispose of all parts of the

packaging according to environmental standards.

## **Safety when working with electricity**

---

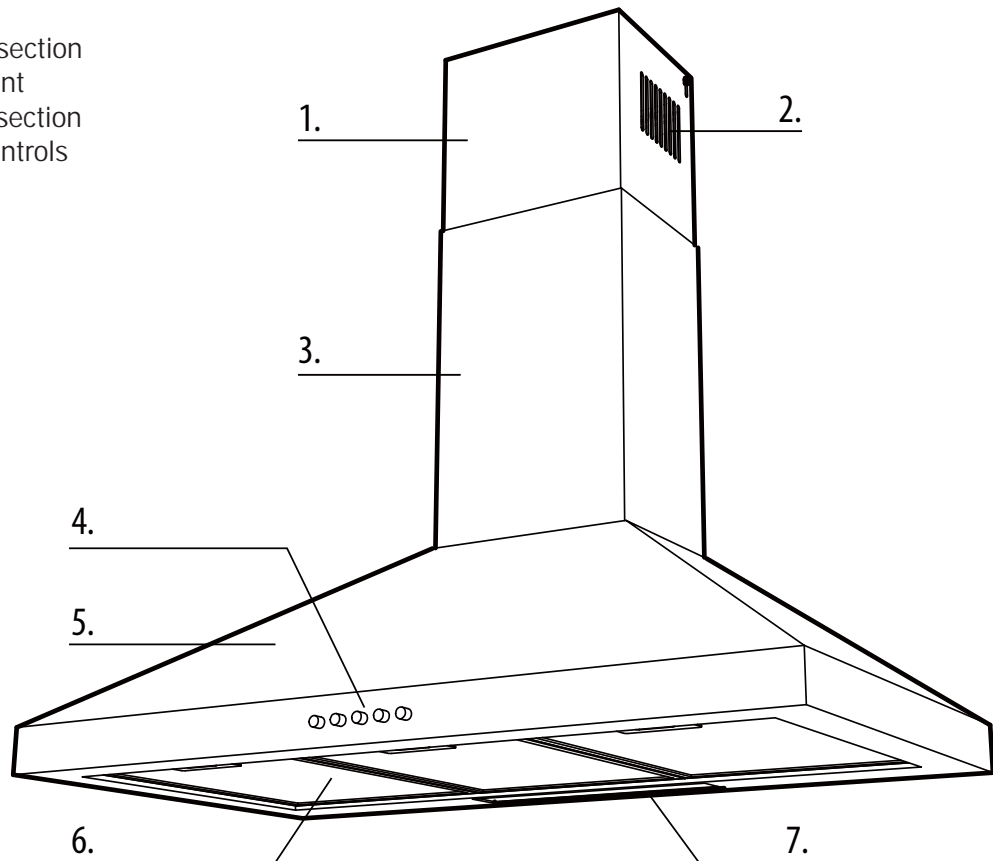
In case of any damage, switch off the product and disconnect it from the mains. To do this, turn off the fuse at the fuse box.

Make sure that fuse rating is compatible with the product.

# General Information & Operation

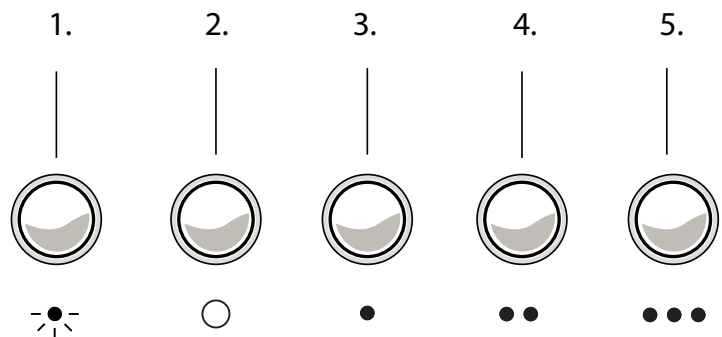
## Extractor layout

1. Upper chimney section
2. Recirculation vent
3. Lower chimney section
4. Fan and light controls
5. Extractor body
6. Grease filters
7. Light



## Control panel layout

1. Light on/off
2. Extractor Power off
3. Extractor power level 1
4. Extractor power level 2
5. Extractor power level 3





## Care and maintenance



**Before cleaning or attempting any type of maintenance, always make sure that the electricity supply is disconnected.**



**To avoid the possibility of fire, adhere strictly to all of the recommendations included in this booklet, paying particular attention to the grease filters to ensure grease deposits do not build up.**

The manufacturer declines all liability in cases where the instructions for the appropriate installation, maintenance and use of the extractor hood are not observed.

If the power cable is cut or damaged in any way, disconnect the extractor from the electricity supply and call the service number on the rear cover of this booklet or a suitably qualified repairer.

### General Cleaning

---

Wipe the external surfaces of the appliance regularly using warm water and a mild detergent. NEVER use abrasive cleaners.

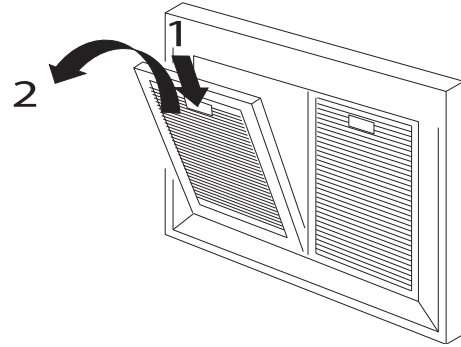
### The Grease Filters

---

The grease filter is of a metallic material and should be washed using a neutral detergent.

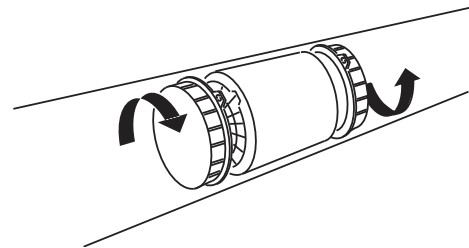
**To Remove the grease filters:**

- 1 Press latch towards side of extractor
- 2 Lower filter to remove.

**The Carbon Filters**

Carbon filters have a limited life. We advise you to change them when there is a noticeable drop in performance. The intervals between changing the filter will depend entirely upon the amount of cooking you do, but on average they will last about 6 months. Please quote the part reference number LAM2900 (pack of 2) when re-ordering.

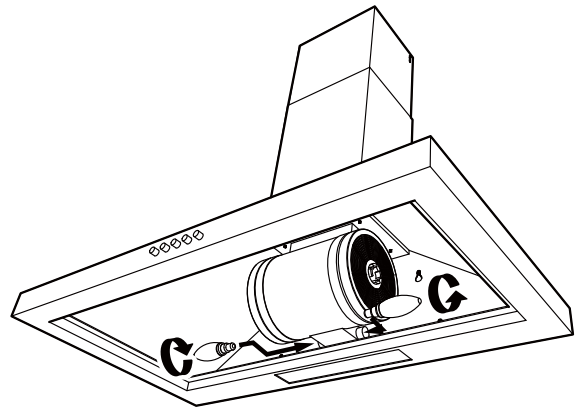
- To gain access to the carbon filters, first of all remove the grease filters as above.
- Remove the old filters and install new charcoal filters by turning them gently

**Replacing the Lamps**

The extractor hood is fitted with x2 E14 28W halogen tungsten lamps that may need to be replaced periodically.

To do this, ensure that the power is switched off and the lamps have had time to cool.

- Remove the grease filters to gain access.
- Unscrew the lamps and replace with new lamps of the same type and wattage.



**Lamp replacement is not covered by your guarantee.**

The lamps on this appliance should only be used during operation of the cooker hood. They should not be left on permanently and used as a main lighting source. The extractor is for domestic use only.

# Installation

## Methods of Extraction

The very best method of clearing the kitchen of unwanted odours is by connecting the appliance to an exhaust duct and venting to the outside atmosphere via the ceiling or an exterior wall. (Suitable ducting kits may be purchased from the depot where you bought the extractor.) You do not need charcoal filters when using the external ducting mode.

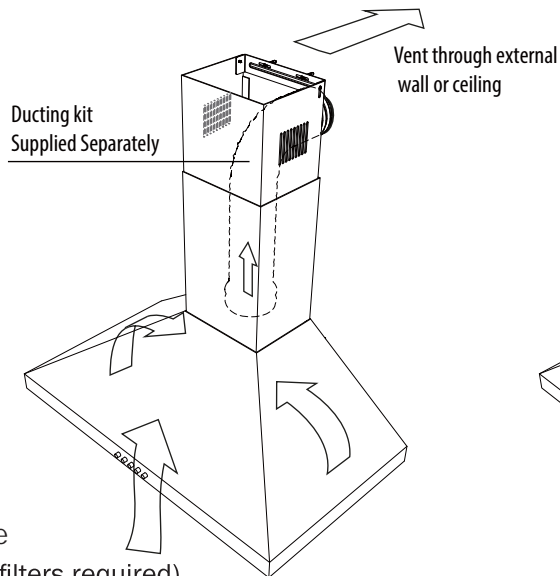


Fig 1.  
Ducting mode  
(No charcoal filters required)

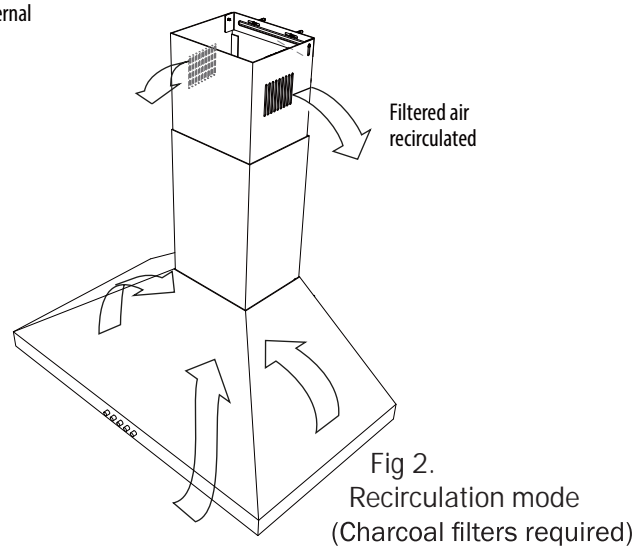


Fig 2.  
Recirculation mode  
(Charcoal filters required)

## Extraction Via Ducting

Never use the hood in areas where devices with exhaust pipes connected to the outside are already operating unless perfect ventilation can be guaranteed.

- Connect the external ducting kit to the outlet of the extractor.



Charcoal filters are not required if the extractor is to be ducted out.

## Extraction Via Recirculation

For extraction via recirculation, attach 2 charcoal filters to the sides of the motor inside the hood.  
(Part reference LAM2900)



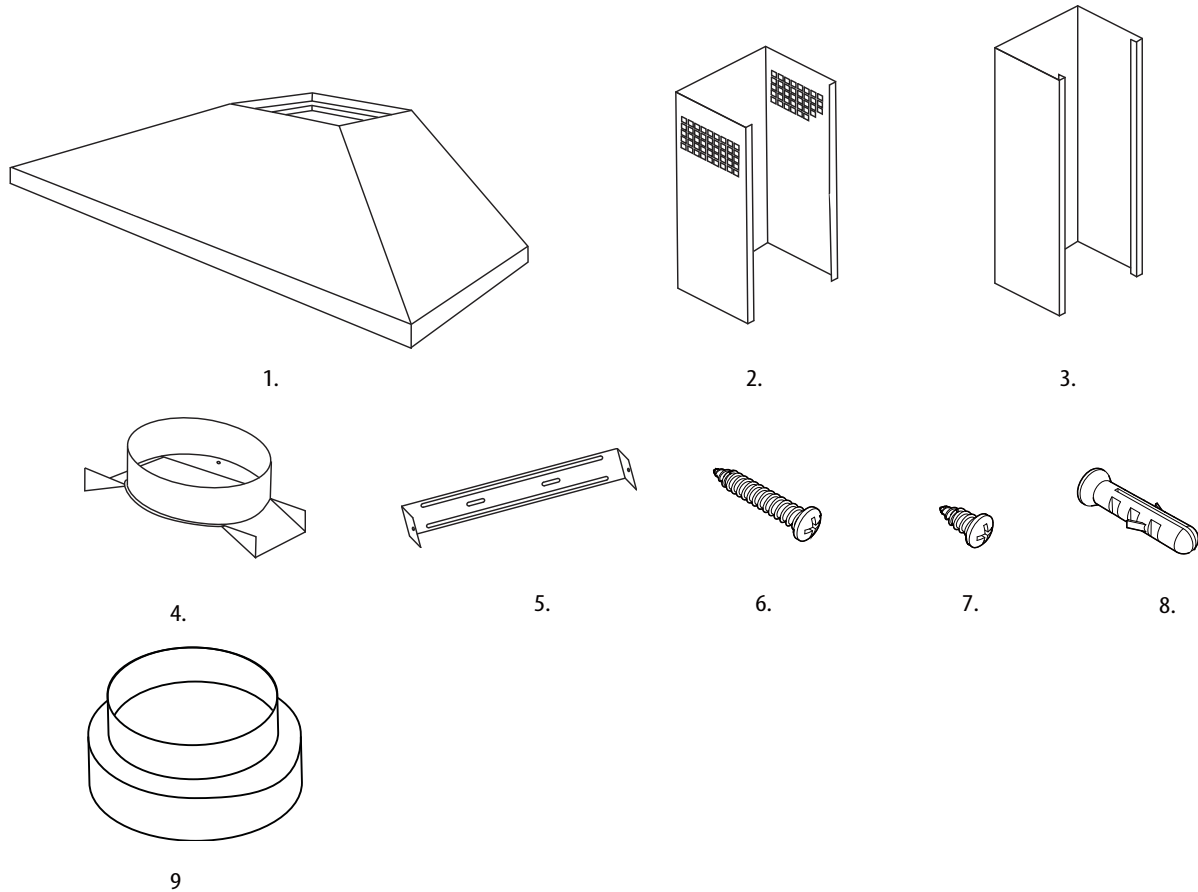
Before attempting to change or fit the charcoal filters ensure power to the extractor is switched off.

- Remove the grease filters
- Align the carbon filters over the pins located on either side of the fan motor.
- Turn the carbon gently, until you feel them click into position.
- Replace the grease filters before the power supply is turned back on.

## PARTS IDENTIFICATION

---

On opening your box you will find the extractor body, a two-piece telescopic decorative chimney, one fixing brackets, ducting connector, four 10mm screws, six 32mm screws and six rawl plugs.



- 1. Main Extractor Body
- 2. Upper Chimney
- 3. Lower Chimney
- 4. Vent Adaptor
- 5. Chimney Bracket

- 6. 32mm Screws
- 7. 10mm Screws
- 8. Rawl Plugs
- 9. Reducer

---

## Hanging Your Extractor

---



**This instruction must be strictly adhered to. Failure to comply could result in overheating and serious damage to your appliance. It is recommended that the installation is carried out by two people.**



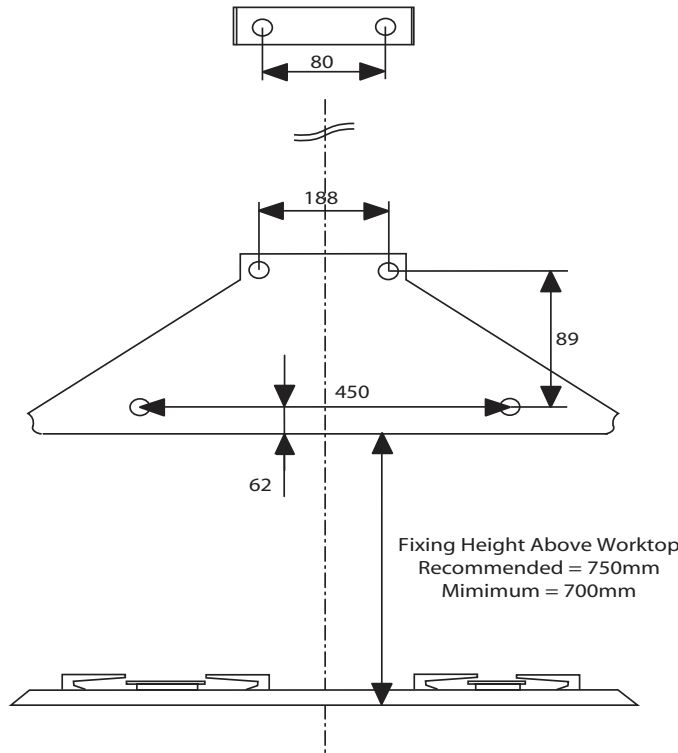
**Before drilling or chiselling the ceiling or wall, check for pipes and power cables.**

- If ducting externally ensure the ducting tube is kept as short as possible and with the minimum of bends to permit the smoothest airflow. (Maximum length 3 metres.). Ducted air must not be discharged into a flue, which is used for exhausting fumes from appliances supplied with energy other than electricity. (E.g. gas boilers)
- Ensure the requirements of the local authorities are adhered to concerning the discharge of exhaust air.
- Ensure adequate room ventilation is provided when the extractor is used in the same room as appliances supplied with energy other than electricity.
- Never duct into a hot air flow such as a central heating duct

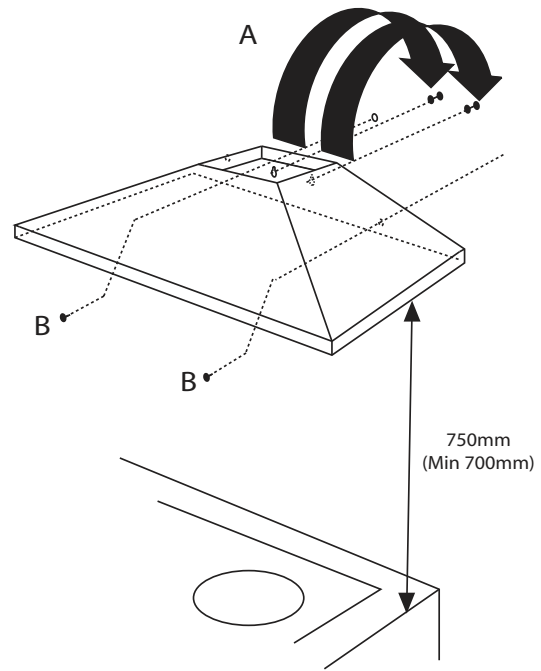


**We strongly advise that all exterior outlets be fitted with a non return flap or louvred slatting.**

- Remove the grease filters before trying to install.
- The recommended fixing height for the hood is 750mm above the worktop. This can be reduced to a minimum of 700mm if required.
- Mark and drill the holes required to mount the extractor body.
- The principal securing point is the top keyhole slot; fix this screw first leaving approximately 5mm between the screw head and the wall.
- With the help of an assistant, level and secure in position through the lower two holes tightening the upper screws as necessary.



**Fig 3.**



**Fig 4.**

**Note: It is recommended that the installation is carried out by two people.**

- Remove the grease filters before proceeding with the assembly. This will give access to the lower hood fixing holes and make the appliance easier to handle.
- The accessories required to install the hood are inside the hood.
- The recommended fixing height for the hood is 750mm above the worktop. This can be reduced to a minimum of 700mm if required.
- With reference to fig 3, mark and drill the six holes required to mount the extractor and lower chimney bracket to the wall, using a 6 mm diameter drill.
- The top two hood securing positions are keyhole slots; screw these screws A in first leaving approximately 2 mm between the screw head and the wall (fig 4.)
- With the help of an assistant locate the hood on these two screws, tightening if necessary.

## Decorative Chimney Fitting

- Connect the extractor to the electricity supply (see electrical connections page).
- Secure the lower chimney bracket to the wall using the screws provided.
- Slide the upper chimney section inside the lower chimney section and fit into recess on the top of the hood; ensuring that the two return flanges on the top of the lower section fit into the recesses provided on the lower chimney bracket.
- Secure the upper chimney bracket to the wall vertically above the lower fixing bracket, adjacent to the ceiling.
- Extend the upper chimney section to the ceiling and secure to the upper chimney bracket with the screws provided.
- Fit the grease filters to the hood.

**DO NOT: attempt to operate the extractor without the grease filters in position.**

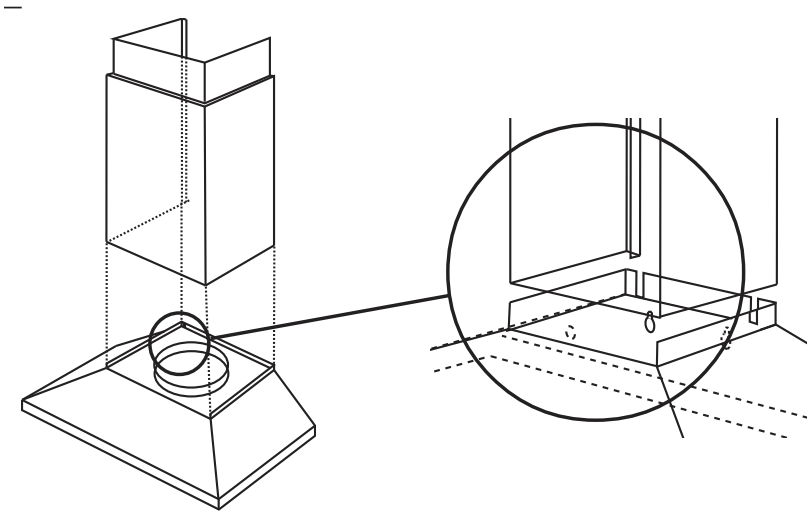


Fig 5.

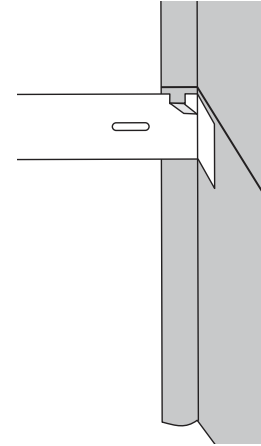


Fig 6.



Please ensure the cable does not fall into the motor when in recirculation mode.

## Electrical Connections



**IMPORTANT: Ensure that the electricity supply is switched off before connecting.**

Your appliance must be connected to fixed wiring via the use of a double pole switched fused spur outlet with at least 3mm contact separation, The isolation switch must be accessible after installation. (See technical data for fuse rating).

**We strongly recommend the appliance is connected by a qualified electrician**



The terminology DOUBLE POLE -/+ means that both the live and neutral supplies are switched and disconnected at the same time.

The terminations labelled SUPPLY are the connections for the internal house wiring and the terminations labelled LOAD are for connection to the appliance.

**WARNING: This appliance must not be earthed**

Brown.....Live

**IMPORTANT: The wires in the mains lead are coloured in accordance with the following code:-**

Blue.....Neutral

As the colours of the wires in the mains lead of this appliance may not correspond with the coloured markings identifying the terminals in your spur box, proceed as follows;

The wire which is coloured blue must be connected to the terminal which is marked with the letter 'N' or coloured BLACK. The wire which is coloured brown must be connected to the terminal which is marked with the letter 'L' or coloured RED.

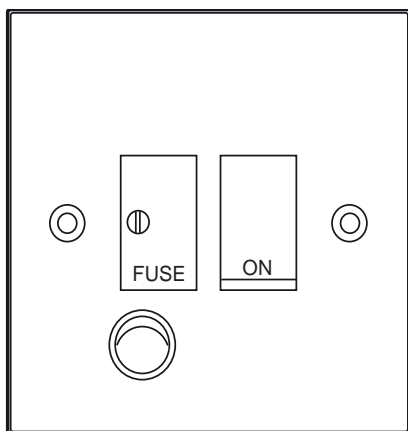


Fig 3.

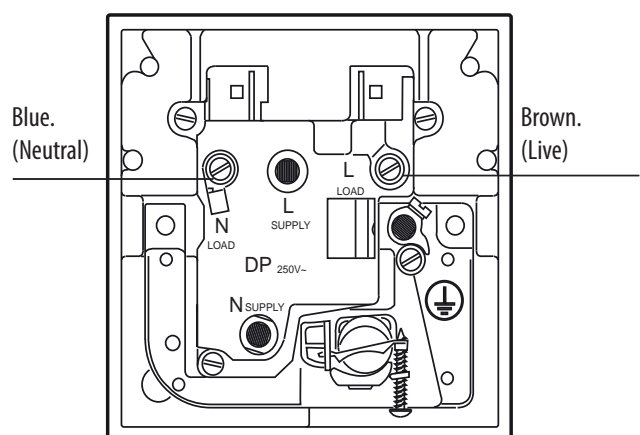


Fig 4.



# Troubleshooting

## TROUBLESHOOTING GUIDE

Symptoms	Possible Cause	Solutions
<b>Lamps fail to operate?</b>	<ul style="list-style-type: none"> <li>A replacement lamp is probably necessary, but first check that the lamp is correctly fitted into its holder.</li> </ul> <p>(Remember that the lamps are not covered by the guarantee.)</p>	<p>Disconnect the mains electricity supply before adjusting or replacing the lamps.</p> <p>The extractor lamps may become hot; therefore ensure the bulb has cooled sufficiently before replacing.</p>
	<ul style="list-style-type: none"> <li>Power is cut.</li> </ul>	<p>Check if there is power. Check the fuses in the fuse box. If necessary, replace or reset the fuses.</p>
<b>Motor is on but fan does not seem to be as efficient as usual?</b>	<ul style="list-style-type: none"> <li>Clogged filters can reduce the product's efficiency. Check the grease and charcoal filters (if fitted) also ensure any venting is not obstructed?</li> </ul>	<p>Clean the grease filters with warm water and mild detergent, and/or replace any charcoal filters</p>
<b>The extractor works normally but smells linger?</b>	<ul style="list-style-type: none"> <li>Clogged filters can reduce the product's efficiency and may cause unwanted smells.</li> </ul>	<p>Clean the grease filters with warm water and mild detergent, and/or replace any charcoal filters.</p>
<b>Product does not operate?</b>	<ul style="list-style-type: none"> <li>The mains fuse maybe defective or has tripped</li> </ul>	<p>Check fuses in the fuse box. If necessary, replace or reset them.</p>
	<ul style="list-style-type: none"> <li>Product is not connected properly.</li> </ul>	<p>Check all power connections.</p>



If you cannot eliminate the problem after following the instructions in this section, consult your depot or the Authorized Service Agent. Never try to repair a nonfunctional product yourself.

## Technical specification

### TECHNICAL INFORMATION

#### General

Total power consumption	151W
Fuse	3 A
Voltage /Frequency	220-240 V - 50 Hz
Cable type / section	0.75mm <sup>2</sup> , 2 core or equivalent
Lamps	E14 28W each

## Your guarantee

### Product Guarantee Details (UK only)

---

**Your appliance has the benefit of a comprehensive manufacturer's guarantee which covers the cost of breakdown repairs. (Details of which are shown on your Proof of Purchase Document).**

- Any claim during the period of the guarantee (MUST BE ACCOMPANIED BY THE PROOF OF PURCHASE)
- The product must be correctly installed and operated in accordance with the manufacturer's instructions and used for normal domestic purposes.
- This guarantee does not cover accidental damage, misuse or alternations which are likely to affect the product.
- The guarantee is invalid if the product is tampered with, or repaired by any unauthorised person.

**(The guarantee in no way affects your statutory or legal rights)**

**What to do if you need to report a problem-**

**Please ensure you have ready:**

- **The product's model & serial numbers**
- **Howdens Proof of Purchase document**
- **Your full contact details**




**Call the Service Line on 0845 00 60 006**

## Product Information

Commission Regulation (EU) No 66/2014

# LAMONA

Model	LAM2404
AEC	74.9 kWh/a
f	1.6
FDE <sub>hood</sub>	11.40%
EEl <sub>hood</sub>	95.6
Q <sub>BEP</sub>	182.5 m <sup>3</sup> /h
P <sub>BEP</sub>	132 Pa
Q <sub>max</sub>	280 m <sup>3</sup> /h
W <sub>BEP</sub>	58.6 W
W <sub>L</sub>	56 W
E <sub>middle</sub>	564 lux
P <sub>s</sub>	0 W
P <sub>o</sub>	0 W
L <sub>WA</sub>	73 dB

 If supplied, please stick your self adhesive product rating plate here, or make a note of the product serial number below in the box below for future reference.

Serial Number : .....



**HOWDENS**

JOINERY CO.

MAKING SPACE MORE VALUABLE