

Electronic 680 Refrigerator / Freezer

Models

E16B E16T E440T
E442B

Series

A



PRODUCTS

Brand Fisher & Paykel

Voltage 220-240V 50Hz, 110V 60Hz*

Model **Code**

E16B 10915A

E16T 10914A

E440T 10627 10859 10896* 10904 10906 10914 11358

E442B 10626 10860 10897* 10905 10907 10915 11357

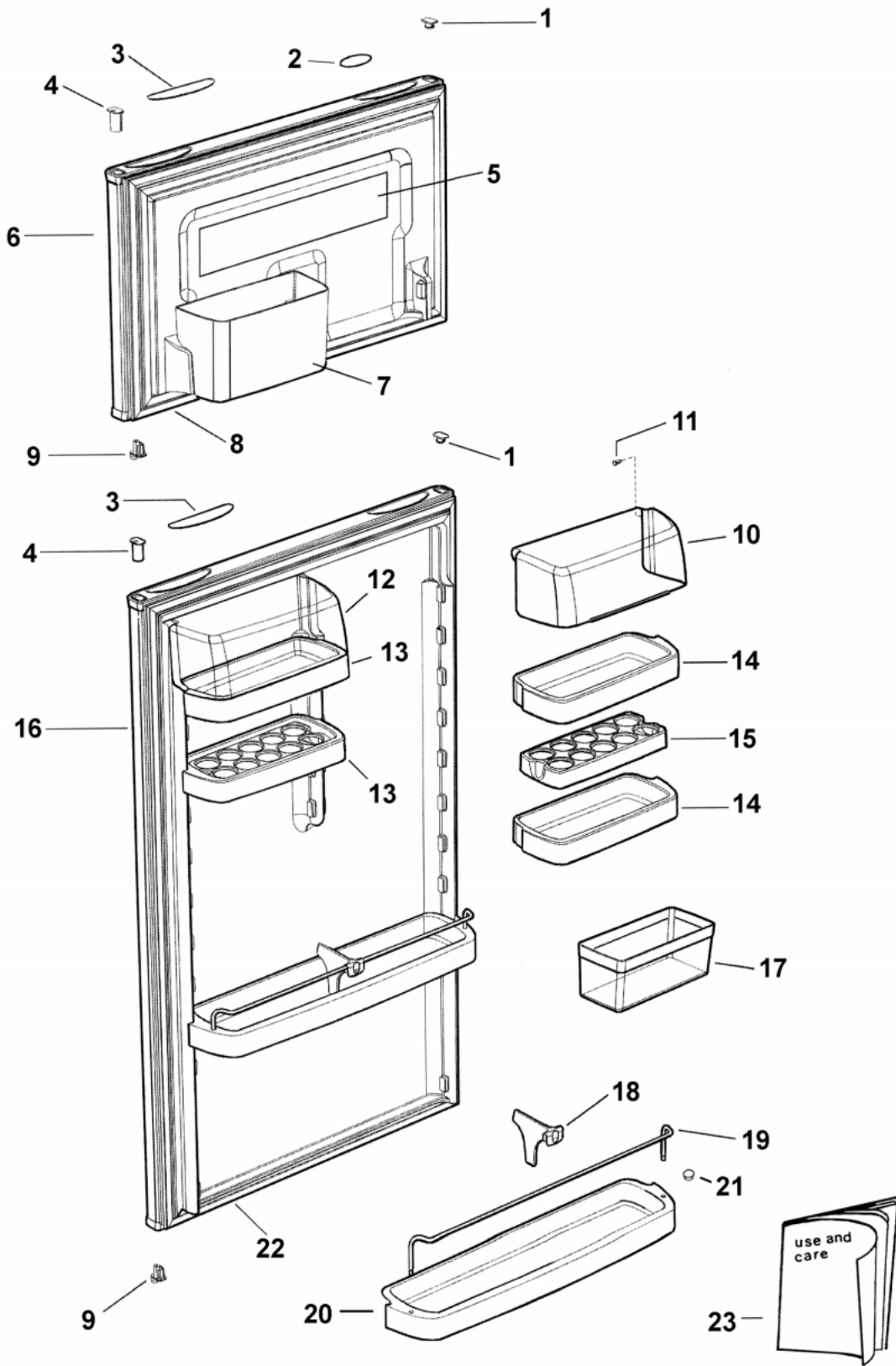
Fisher & Paykel Customer Services
PO Box 798
19 Enterprise St
Cleveland, Queensland 4163
Australia
Tel: (07) 3826 9122
Fax: (07) 3826 9164
Email: parts@fp.com.au
A.C.N 003 335 171

Fisher & Paykel Ltd
Whiteware Spare Parts
PO Box 14-148, Panmure.
80 Springs Rd, East Tamaki
New Zealand
Tel: (09) 272 0261
Fax: (09) 272 0219
Email: parts@fp.co.nz

CONTENTS

DOOR ASSEMBLIES TOP FREEZER	4
DOOR ASSEMBLIES BOTTOM FREEZER.....	8
CABINET TOP FREEZER.....	12
CABINET BOTTOM FREEZER	16
FRONT AND REAR CABINET ROLLERS	20
FAN AND EVAPORATOR ASSEMBLIES.....	22
ELECTRONIC MODULE AND DUCT COVERS.....	26
COMPRESSOR AND POWER MODULE.....	28
NOTES	32
REFRIGERATION ABBREVIATION KEY	33

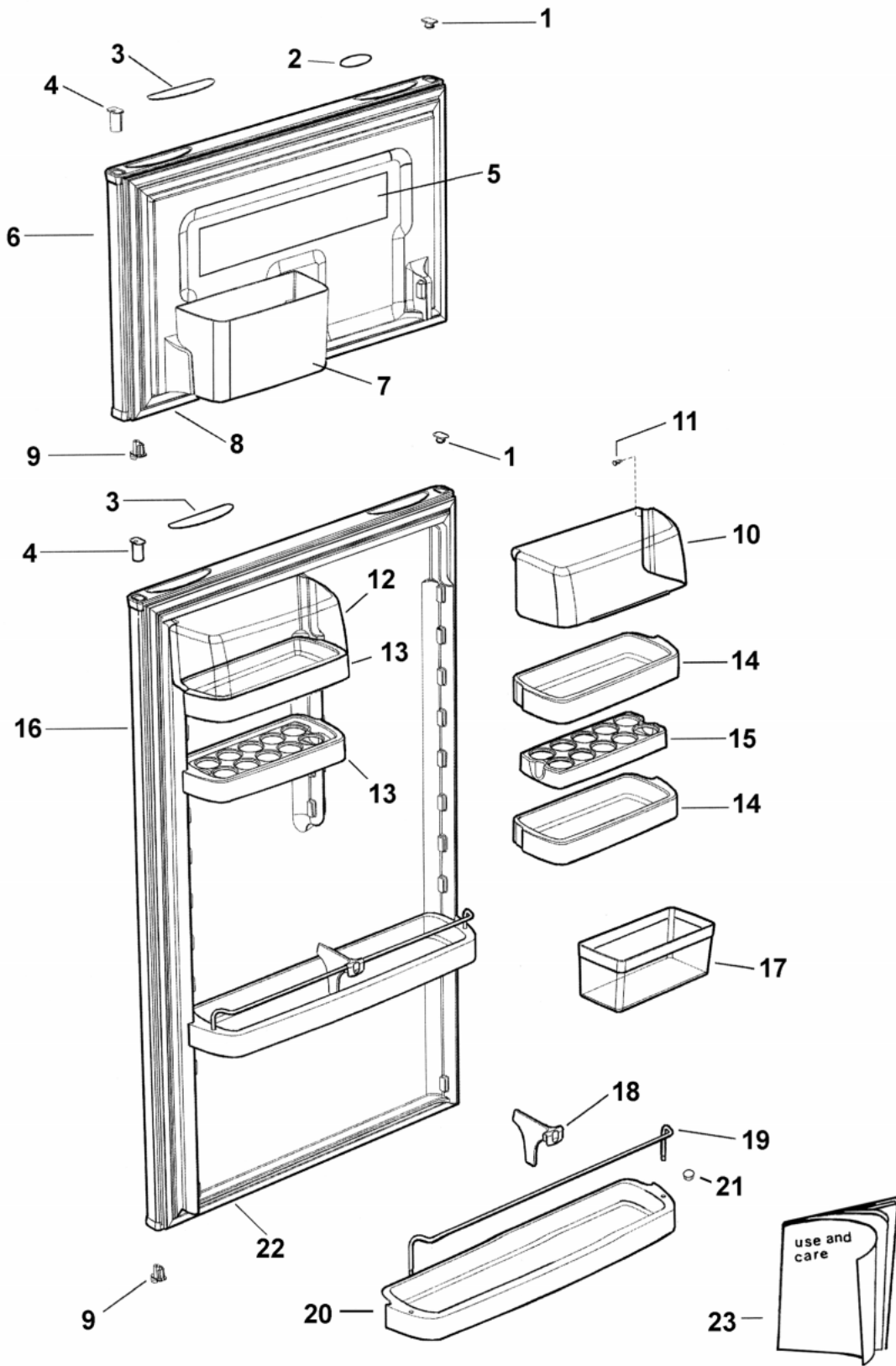
DOOR ASSEMBLIES TOP FREEZER



DOOR ASSEMBLIES TOP FREEZER

REF	PART	DESCRIPTION	MODEL
1	875926	PLUG DOOR END CAP SOFT LG	
	882348	PLUG DOOR END CAP SOFT WHITE	
2	877965	LOGO ACTIVE SMART	
3	875652	COVER HANDLE RECESS SOFT WHITE	
	875653	COVER HANDLE RECESS SOFT LG	
4	* 875040	PLUG PIVOT DOOR OFFSET WHITE	
	875109	PLUG PIVOT DOOR OFFSET LG GREY	
	875425	PLUG PIVOT DOOR CLOSING WHITE	
	875924	PLUG PIVOT DOOR CLOSING LG	
5	874706	LABEL FREEZER GUIDE RF BLUE	
	878471	LABEL FREEZER STORAGE GUIDE 63	
6	* 874621	DOOR ASSY FC WHITE WHITE TRIM	
		<i>875128 PLUG CAM DOOR CLOSING WHITE</i>	
		<i>875425 PLUG PIVOT DOOR CLOSING WHITE</i>	
		<i>882348 PLUG DOOR END CAP SOFT WHITE</i>	
	874709	DOOR ASSY FC S/STONE LT GY TRI	
		<i>875129 PLUG CAM DOOR CLOSING LT GREY</i>	
		<i>875924 PLUG PIVOT DOOR CLOSING LG</i>	
		<i>875926 PLUG DOOR END CAP SOFT LG</i>	
7	874364	BIN DR FC T HSM876507 635 BLUE	
	876507	BIN DOOR FC 'T' 635	
8	878904P	GASKET ASSY FC LT GREY PUSHIN	
9	875128	PLUG CAM DOOR CLOSING WHITE	
	875129	PLUG CAM DOOR CLOSING LT GREY	
10	871123	PLUG/PIN HINGE DAIRY COVER	
11	880258	COVER DR SHELF HSM882692 BLUE	
12	882691	COVER COMP 680 LH MOULDED P42	
13	882690	SHELF DOOR SMALL LH 680 P42	
14	882689	SHELF DOOR SMALL RH 680 P42	
15	882671	SHELF EGG RACK 680 P42	
16	* 874623	DOOR ASSY PC WHITE WHITE TRIM	
		<i>875128 PLUG CAM DOOR CLOSING WHITE</i>	
		<i>875425 PLUG PIVOT DOOR CLOSING WHITE</i>	
		<i>882348 PLUG DOOR END CAP SOFT WHITE</i>	
	874708	LABEL ENERGY RATING C170T	
		<i>875129 PLUG CAM DOOR CLOSING LT GREY</i>	
		<i>875924 PLUG PIVOT DOOR CLOSING LG</i>	

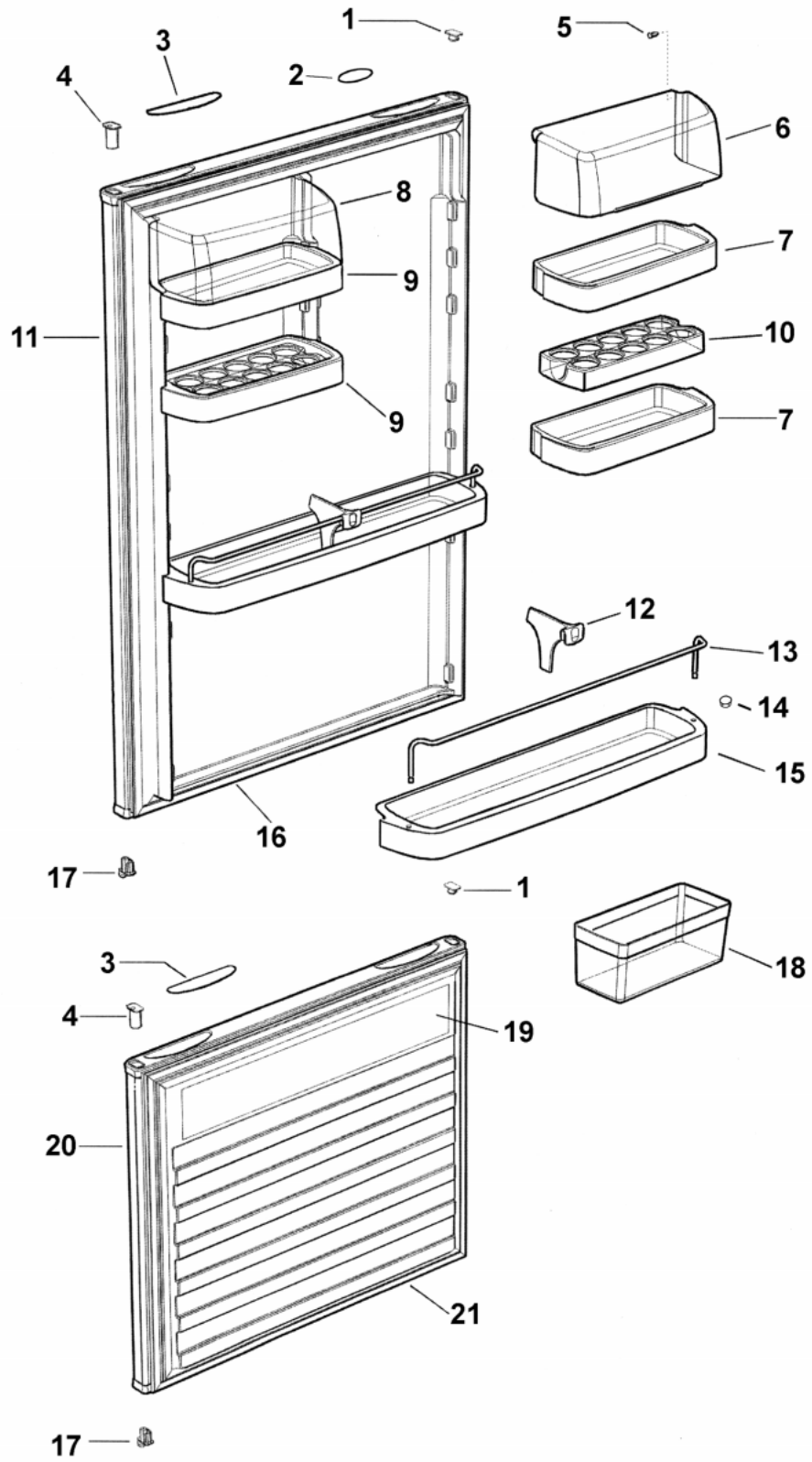
DOOR ASSEMBLIES TOP FREEZER



DOOR ASSEMBLIES TOP FREEZER

REF	PART DESCRIPTION	MODEL
16	875926 PLUG DOOR END CAP SOFT LG	
17	871129 BIN EGG/ICE MOULD ALL BRANDS	
18	882734 DIVIDER BOTTLE RAIL WHITE	
19	882693 RAIL BOTTLE 680 P42	
20	880255 SHELF DR LGE HSM882688 BL 680	
21	855156 PLUG 10 DIA COVER WHITE	
22	878901P GASKET ASSY PC LT GREY PUSHIN	
23	881372 BOOKLET USE&CARE ACTIVE SMART	
NI	872399 BOOKLET FREEZE WITH EASE F&P	
NI	878434 LEAFLET WARRANTY AUST	
NI	878438 LEAFLET WARRANTY NEW ZEALAND	
NI	872959 SMARTCARE LEAFLET&ENVELOPE AUS	
NI	479151 LEAFLET SMART CARE NZ	

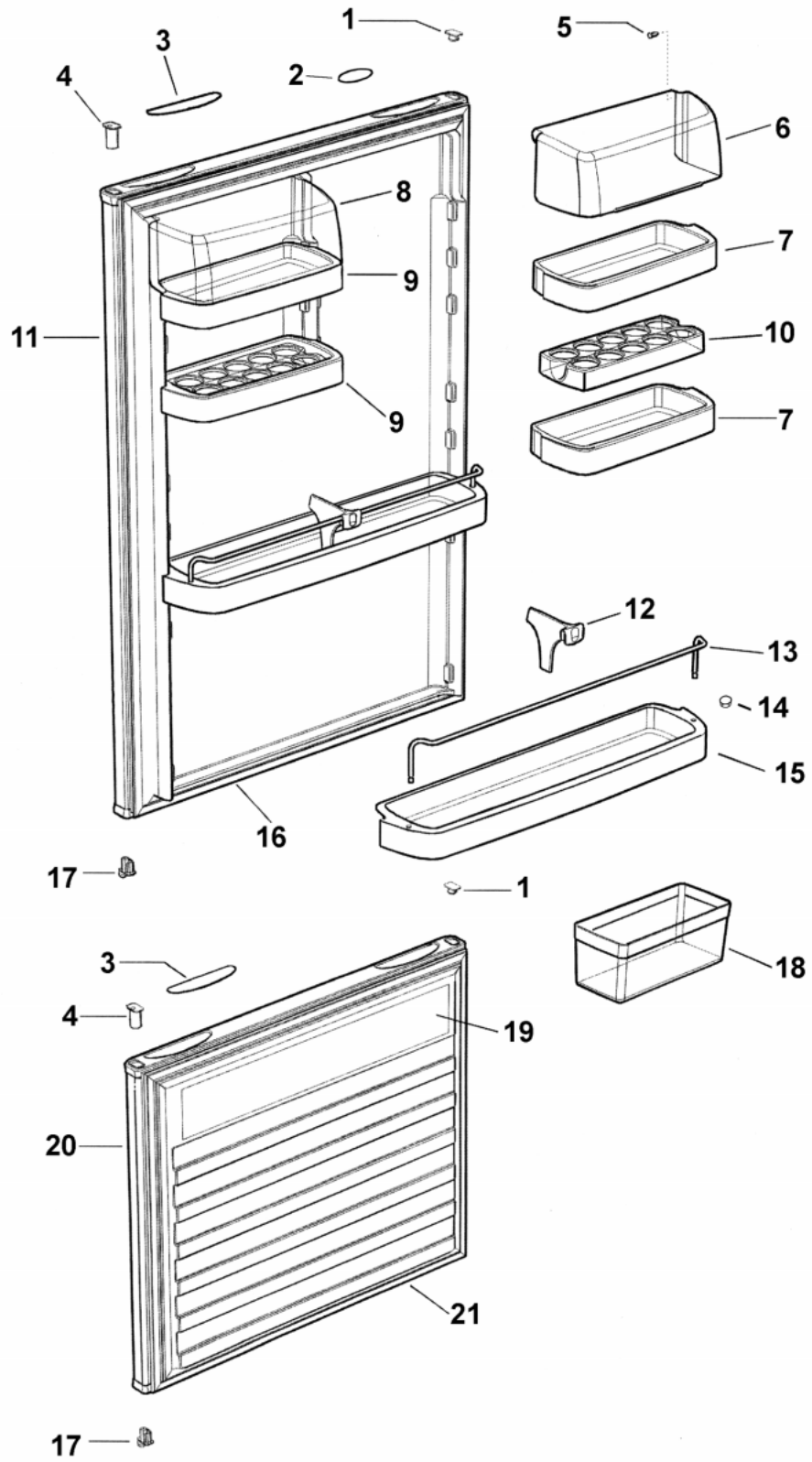
DOOR ASSEMBLIES BOTTOM FREEZER



DOOR ASSEMBLIES BOTTOM FREEZER

REF	PART	DESCRIPTION	MODEL
1	882348	PLUG DOOR END CAP SOFT WHITE	
2	877965	LOGO ACTIVE SMART	
3	875652	COVER HANDLE RECESS SOFT WHITE	
	875653	COVER HANDLE RECESS SOFT LG	
4	* 875040	PLUG PIVOT DOOR OFFSET WHITE	
	875109	PLUG PIVOT DOOR OFFSET LG GREY	
	875425	PLUG PIVOT DOOR CLOSING WHITE	
	875924	PLUG PIVOT DOOR CLOSING LG	
5	871123	PLUG/PIN HINGE DAIRY COVER	
6	880258	COVER DR SHELF HSM882692 BLUE	
7	882689	SHELF DOOR SMALL RH 680 P42	
8	882691	COVER COMP 680 LH MOULDED P42	
9	882690	SHELF DOOR SMALL LH 680 P42	
10	882671	SHELF EGG RACK 680 P42	
11	* 874622	DOOR ASSY PC WHITE WHITE TRIM	
	875128	<i>PLUG CAM DOOR CLOSING WHITE</i>	
	875425	<i>PLUG PIVOT DOOR CLOSING WHITE</i>	
	882348	<i>PLUG DOOR END CAP SOFT WHITE</i>	
	874710	DOOR ASSY PC S/STONE LT GY TRI	
	875129	<i>PLUG CAM DOOR CLOSING LT GREY</i>	
	875924	<i>PLUG PIVOT DOOR CLOSING LG</i>	
	875926	<i>PLUG DOOR END CAP SOFT LG</i>	
12	882734	DIVIDER BOTTLE RAIL WHITE	
13	882693	RAIL BOTTLE 680 P42	
14	855156	PLUG 10 DIA COVER WHITE	
15	880255	SHELF DR LGE HSM882688 BL 680	
16	878902P	GASKET ASSY PC LT GREY PUSHIN	
17	875128	PLUG CAM DOOR CLOSING WHITE	
	875129	PLUG CAM DOOR CLOSING LT GREY	
18	871129	BIN EGG/ICE MOULD ALL BRANDS	
19	874706	LABEL FREEZER GUIDE RF BLUE	
	878470	LABEL FREEZER STORAGE GUIDE 63	
20	* 874620	DOOR ASSY FC WHITE WHITE TRIM INTEGRAL	
	875128	<i>PLUG CAM DOOR CLOSING WHITE</i>	
	875425	<i>PLUG PIVOT DOOR CLOSING WHITE</i>	
	882348	<i>PLUG DOOR END CAP SOFT WHITE</i>	
	874711	DOOR ASSY FC SA E442B	

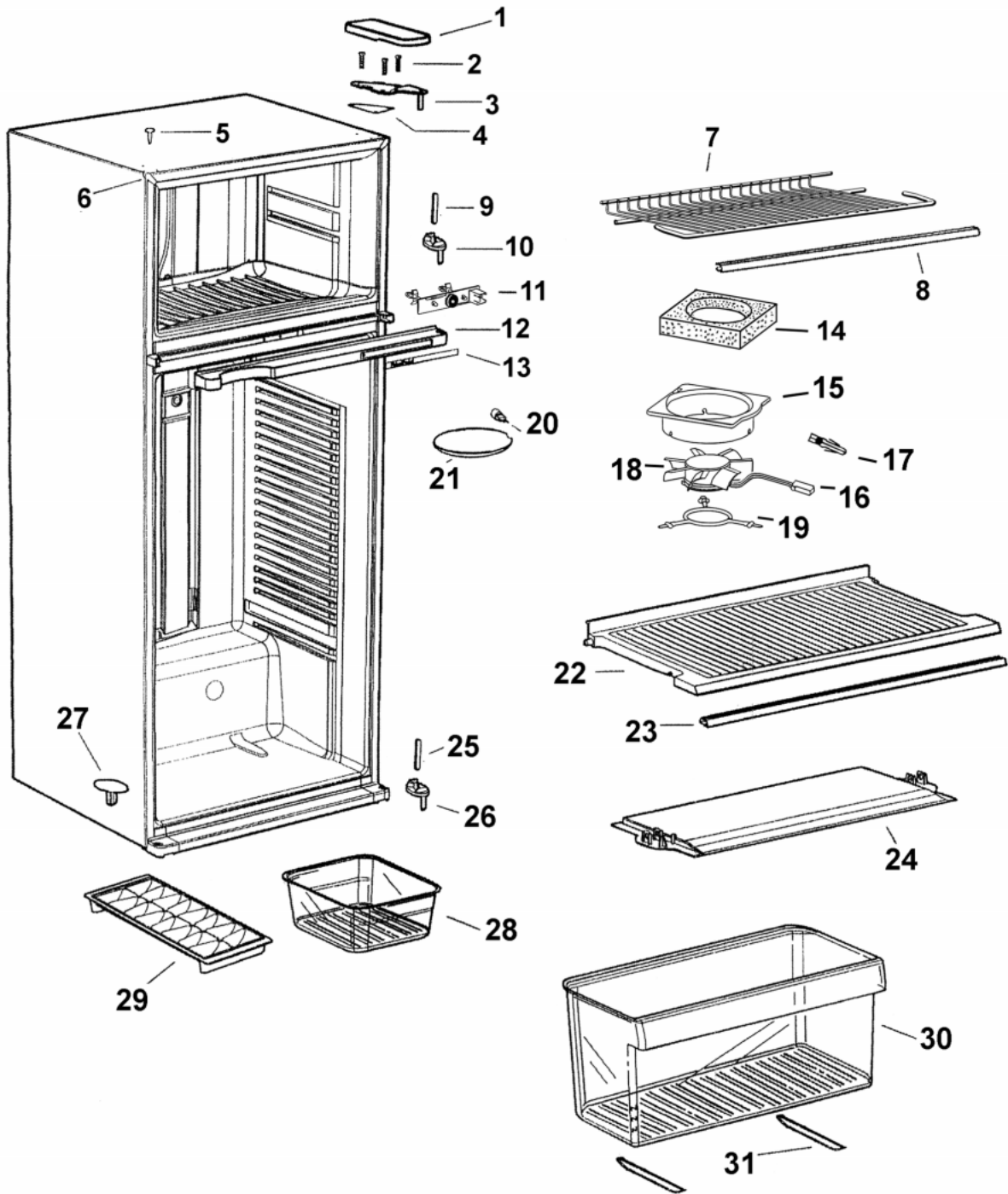
DOOR ASSEMBLIES BOTTOM FREEZER



DOOR ASSEMBLIES BOTTOM FREEZER

REF	PART DESCRIPTION	MODEL
20	875129 PLUG CAM DOOR CLOSING LT GREY	
	875924 PLUG PIVOT DOOR CLOSING LG	
	875926 PLUG DOOR END CAP SOFT LG	
21	878903P GASKET ASSY FC LT GREY PUSHIN	

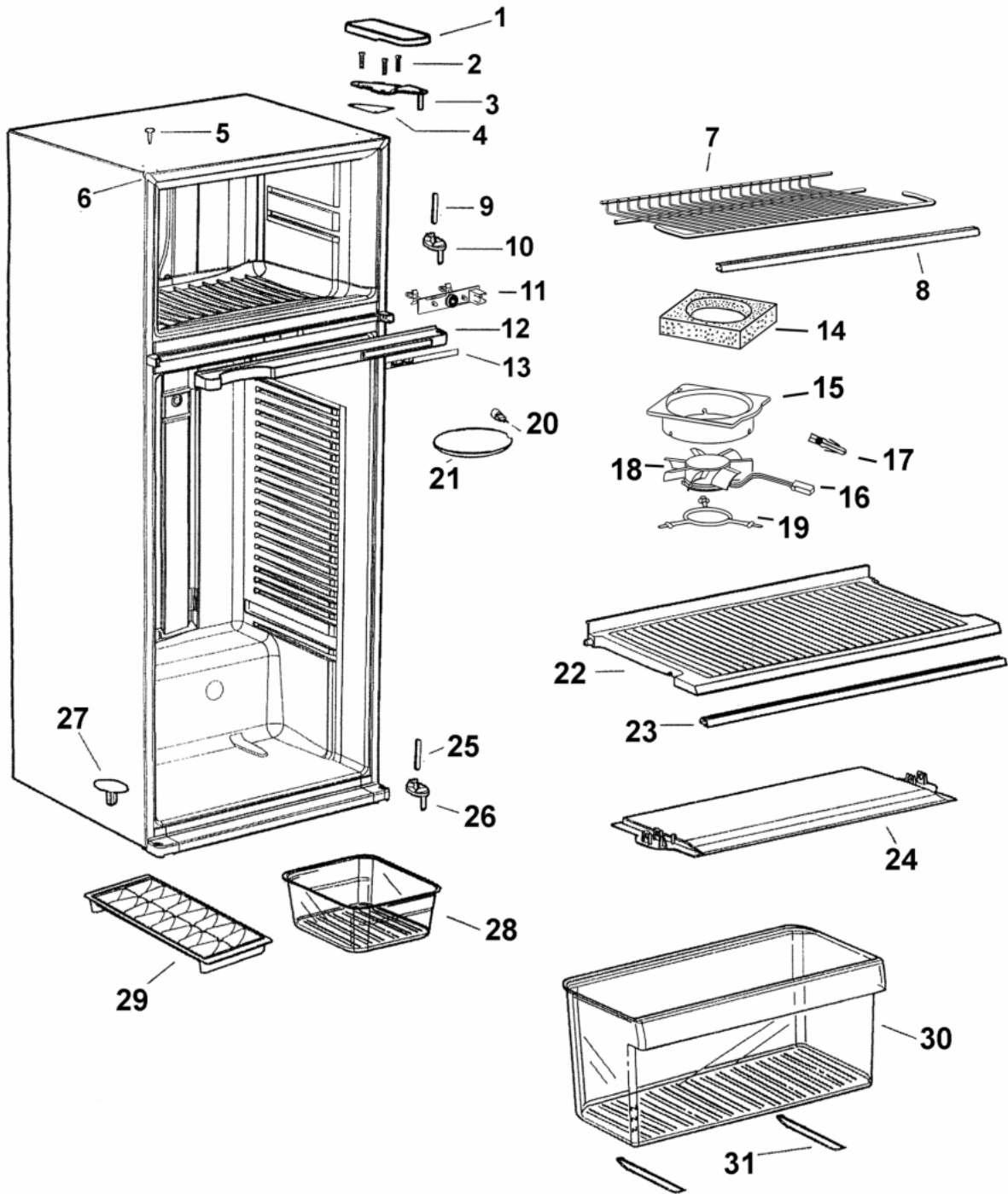
CABINET TOP FREEZER



CABINET TOP FREEZER

REF	PART	DESCRIPTION	MODEL
1	875923	COVER HINGE TOP SOFT LG	
	882346	COVER HINGE TOP SOFT WHITE	
2	610312	SCREW MC M5X20 HEX PH MS ZNPL	
3	882319	BRACKET TOP HINGE ASSY PLATED	
4	882355	GASKET TOP HINGE	
5	855260	PLUG TAPPED HOLE SANDSTONE	
	855261	PLUG TAPPED HOLE WHITE	
6	871503	TRIM CORNER S/STONE	
	871504	TRIM CORNER WHITE	
7	877909	SHELF TOP FC WHITE 680	
8	882706	TRIM SHELF FCT 680 WHITE	
9	871880	PIN CENTRE HINGE	
10	875834	BEARING CAM DOOR 1.9MM WHITE	
11	877863P	SWITCH & ALARM ASSEMBLY	
12	877972	COVER CROSS RAIL LT GREY	
	882663	COVER CROSS RAIL 680 WHITE	
13	877964	NAMEPLATE INSERT F&P LG XR EL	
14	875110	GASKET INSULATION FAN PC P42	
15	* 878583	HOUSING FAN SUSPENDE	
16	872956	AMP HOUSING FEMALE 172233-1	
17	878545	AMP PIN 16-20AWG 171680-1	
18	880820	FAN & HOUSING PC ASSY ST3	
		<i>872956 AMP HOUSING FEMALE 172233-1</i>	
		<i>878545 AMP PIN 16-20AWG 171680-1</i>	
	*	<i>878582 SPRING FAN SUSPENDE</i>	
	*	<i>878583 HOUSING FAN SUSPENDE</i>	
		<i>881147 MOTOR FAN ASSY DC SUSP PC ST3</i>	
19	* 878582	SPRING FAN SUSPENDE	
20	874017	LAMP HALOGEN PC 12VOLT/10W	
21	875318	COVER LAMP PC	
22	882664	SHELF PC PLASTIC 680 P42	
23	882665	EXTRUSION PC SHELF STIFFENER 6	
24	882668	LID HUMIDITY CONTROLLER 680T P	
25	875418	PIN PIVOT 40MM SS	
26	877960	BEARING CAM DOOR 4.9MM WHITE	
27	875405	PLUG BOTTOM HINGE BRACKET WH	
	876309	PLUG BOTTOM HINGE BRACKET LT G	

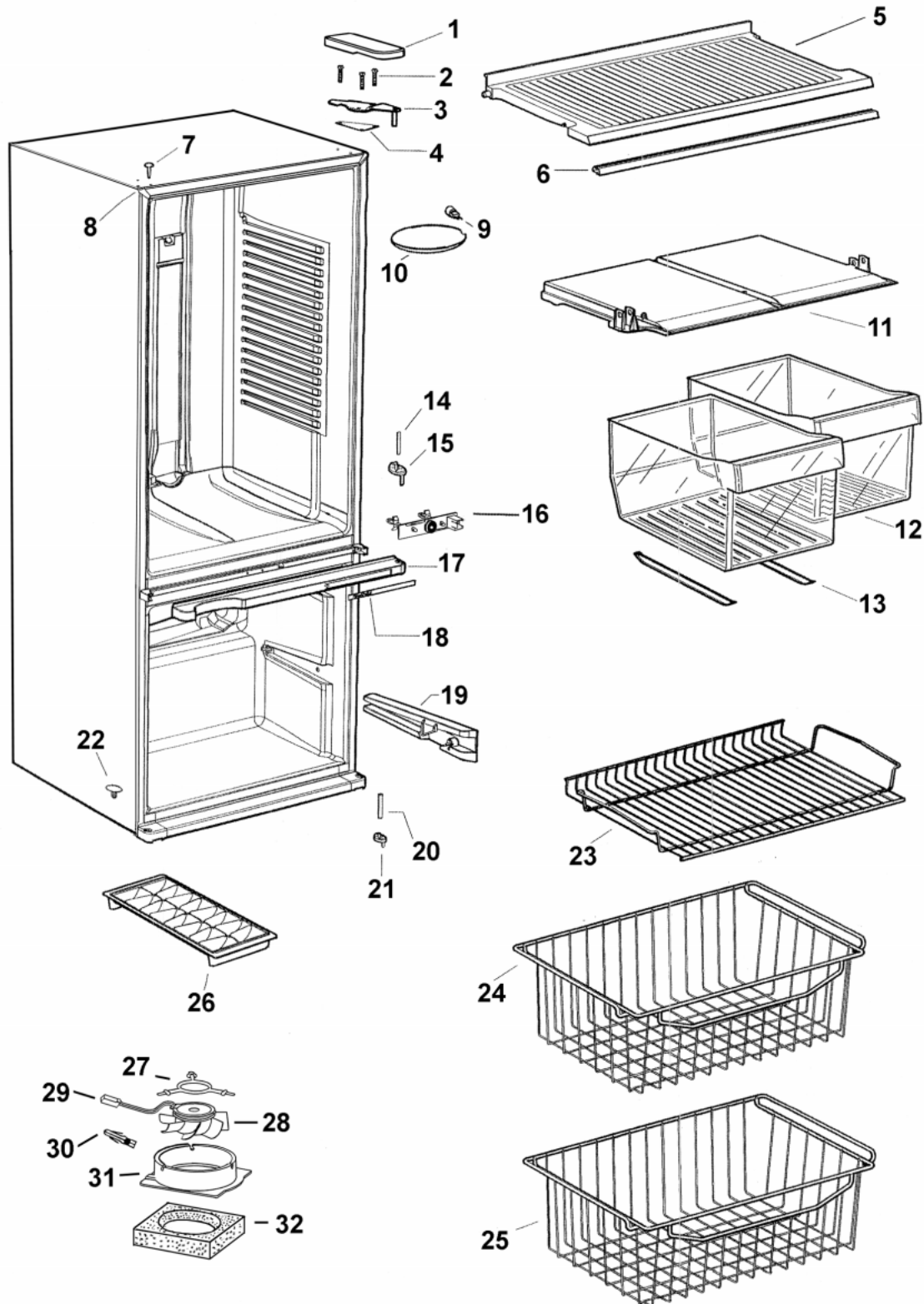
CABINET TOP FREEZER



CABINET TOP FREEZER

REF	PART	DESCRIPTION	MODEL
28	876538	TRAY CRISPER T' 635	
29	874107	TRAY ICE BASE	
30	874141	BIN CRISP 635 T HSM876537 BLUE	
	876672	BIN CRISP 635 T' HSM876537 DK	
31	876667	FOOT CRISPER RUNNER T'	
NI	880648	FAN MOTOR ASSY FIELD FIX	
		<i>875110 GASKET INSULATION FAN PC P42</i>	
	*	<i>878582 SPRING FAN SUSPENDED</i>	
	*	<i>878583 HOUSING FAN SUSPENDED</i>	

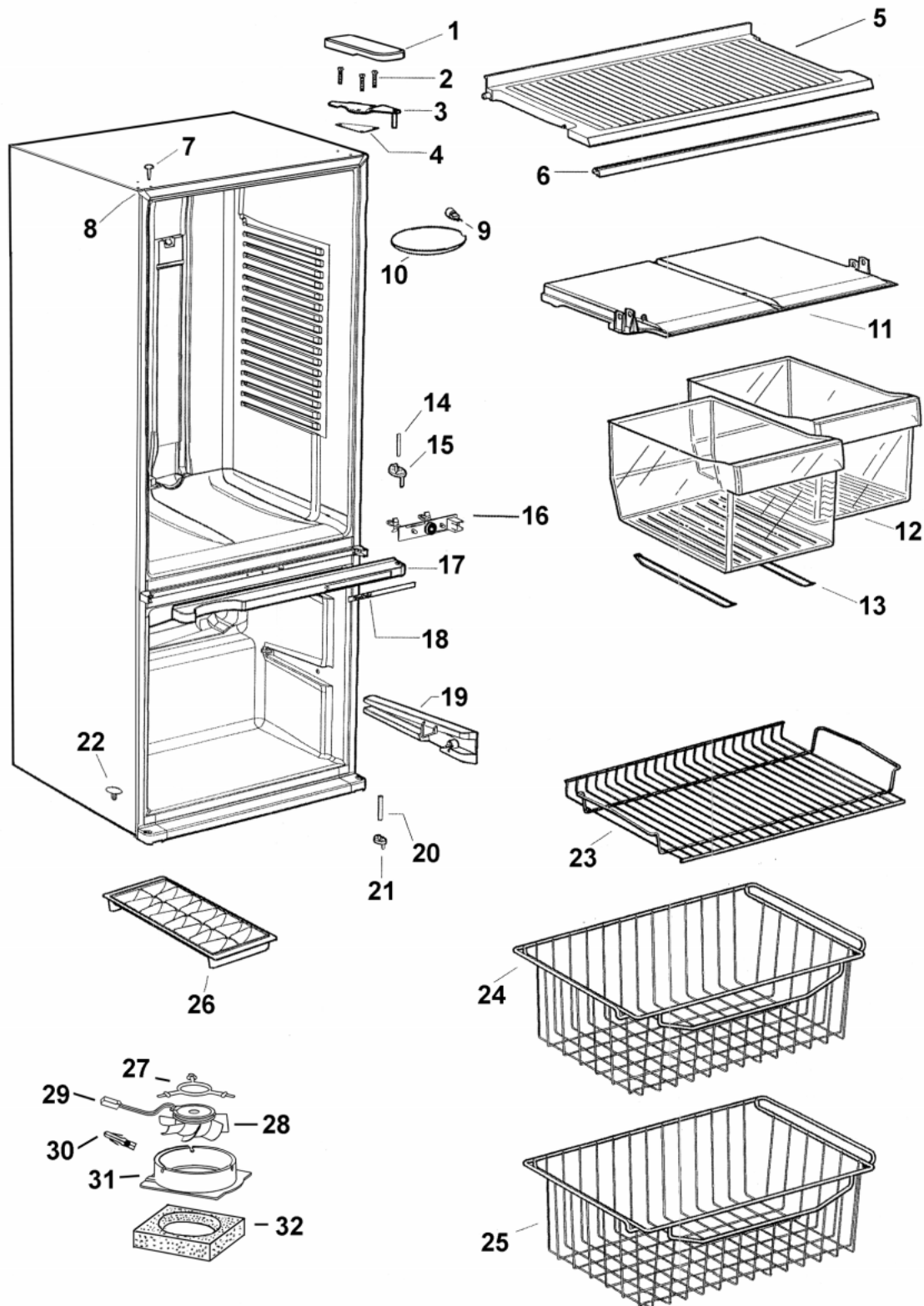
CABINET BOTTOM FREEZER



CABINET BOTTOM FREEZER

REF	PART	DESCRIPTION	MODEL
1	875923	COVER HINGE TOP SOFT LG	
	882346	COVER HINGE TOP SOFT WHITE	
2	610312	SCREW MC M5X20 HEX PH MS ZNPL	
3	882319	BRACKET TOP HINGE ASSY PLATED	
4	882355	GASKET TOP HINGE	
5	882664	SHELF PC PLASTIC 680 P42	
6	882665	EXTRUSION PC SHELF STIFFENER 6	
7	855260	PLUG TAPPED HOLE SANDSTONE	
	855261	PLUG TAPPED HOLE WHITE	
8	871503	TRIM CORNER S/STONE	
	871504	TRIM CORNER WHITE	
9	874017	LAMP HALOGEN PC 12VOLT/10W	
10	875318	COVER LAMP PC	
11	880803	LID HUMIDITY CONTROL 680B	
12	874142	BIN CRISP 635 B HSM875536 BLUE	
13	875287	FOOT CRISPER RUNNER B	
14	871880	PIN CENTRE HINGE	
15	875834	BEARING CAM DOOR 1.9MM WHITE	
16	877863P	SWITCH & ALARM ASSEMBLY	
17	877972	COVER CROSS RAIL LT GREY	
	882663	COVER CROSS RAIL 680 WHITE	
18	877964	NAMEPLATE INSERT F&P LG XR EL	
19	871145	RUNNER FC BASKET ASSY B RH	
	855143	<i>WHEEL BASKET SUPPORT B VF</i>	
	901323	<i>PIN FC BASKET RUNNER</i>	
	871146	RUNNER FC BASKET ASSY B LH	
	855143	<i>WHEEL BASKET SUPPORT B VF</i>	
	901323	<i>PIN FC BASKET RUNNER</i>	
20	875418	PIN PIVOT 40MM SS	
21	877960	BEARING CAM DOOR 4.9MM WHITE	
22	875405	PLUG BOTTOM HINGE BRACKET WH	
	876309	PLUG BOTTOM HINGE BRACKET LT G	
23	877929	SHELF FC 'B' 680 WHITE P42	
24	877935	BASKET FC TOP WHITE 680 P42	
25	877932	BASKET FC BTM WHITE 680 P42	
26	874107	TRAY ICE BASE	
27	* 878582	SPRING FAN SUSPENDED	

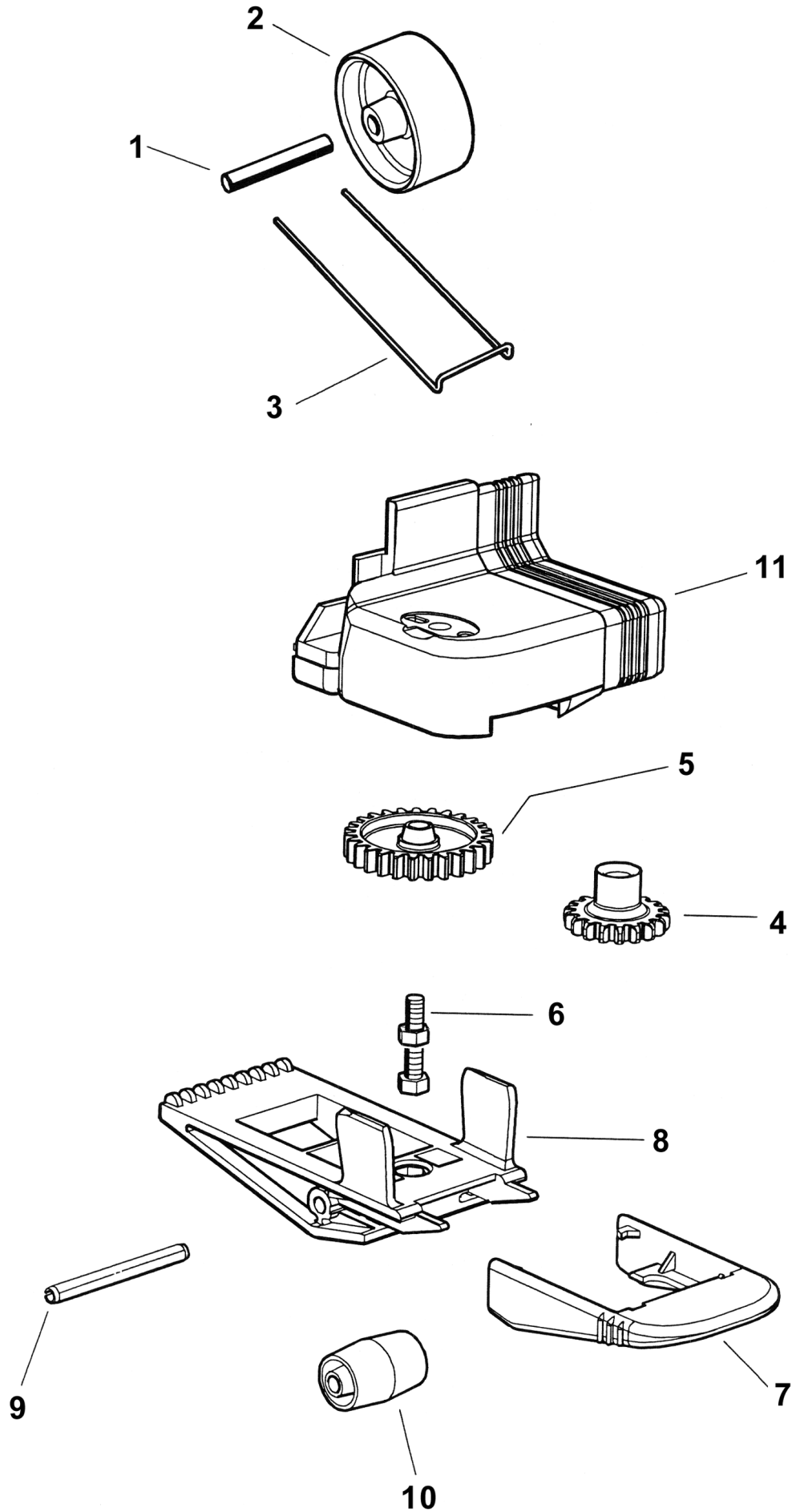
CABINET BOTTOM FREEZER



CABINET BOTTOM FREEZER

REF	PART	DESCRIPTION	MODEL
28	880820	FAN & HOUSING PC ASSY ST3	
		<i>872956 AMP HOUSING FEMALE 172233-1</i>	
		<i>878545 AMP PIN 16-20AWG 171680-1</i>	
	*	<i>878582 SPRING FAN SUSPENDED</i>	
	*	<i>878583 HOUSING FAN SUSPENDED</i>	
		<i>881147 MOTOR FAN ASSY DC SUSP PC ST3</i>	
29	872956	AMP HOUSING FEMALE 172233-1	
30	878545	AMP PIN 16-20AWG 171680-1	
31	878538	HOUSING FAN	
32	875110	GASKET INSULATION FAN PC P42	
NI	880648	FAN MOTOR ASSY FIELD FIX	
		<i>875110 GASKET INSULATION FAN PC P42</i>	
	*	<i>878582 SPRING FAN SUSPENDED</i>	
	*	<i>878583 HOUSING FAN SUSPENDED</i>	

FRONT AND REAR CABINET ROLLERS



FRONT AND REAR CABINET ROLLERS

REF	PART	DESCRIPTION	MODEL
1	871017	PIN ROLLER PLATED	
2	871132	FOOT ROLLER	
3	871041	CLIP ROLLER	
4	878452	PINION ROLLER ASSEMBLY GREY	
5	878450	GEAR ROLLER ASSEMBLY	
6	878316	SCREW M5X25 & M5 NUT	
7	878448	BRAKE ROLLER ASSEMBLY	
8	878446	CHASSIS ROLLER ASSEMBLY	
9	878458	ROLL PIN 4.5DIAX45 PASSIVE ZP	
10	875411	WHEEL FRONT ROLLER ASSY	
11	* 878440	BRACKET CORNER HINGE LEFT GREY	
	878441	BRACKET CORNER HINGE RIGHT GRE	
	878442	BRACKET CORNER HINGE LEFT WHIT	
	878443	BRACKET CORNER HINGE RIGHT WHI	
NI	502229	KIT FRONT ROLLER ASSY	

875411 WHEEL FRONT ROLLER ASSY

878316 SCREW M5X25 & M5 NUT

878446 CHASSIS ROLLER ASSEMBLY

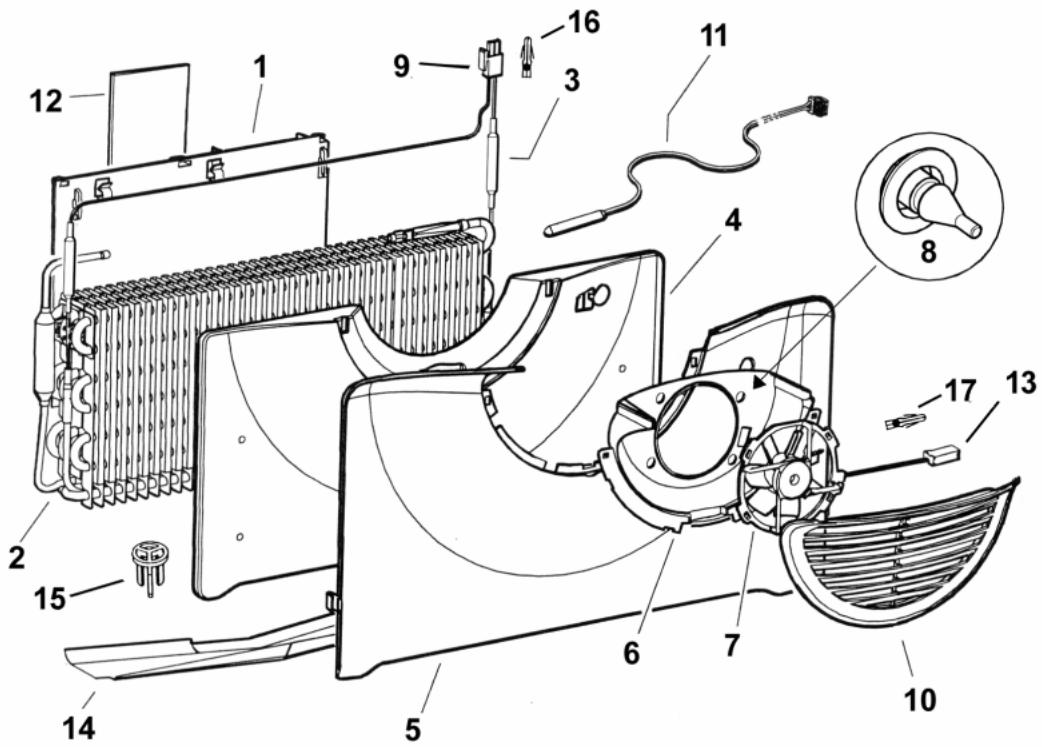
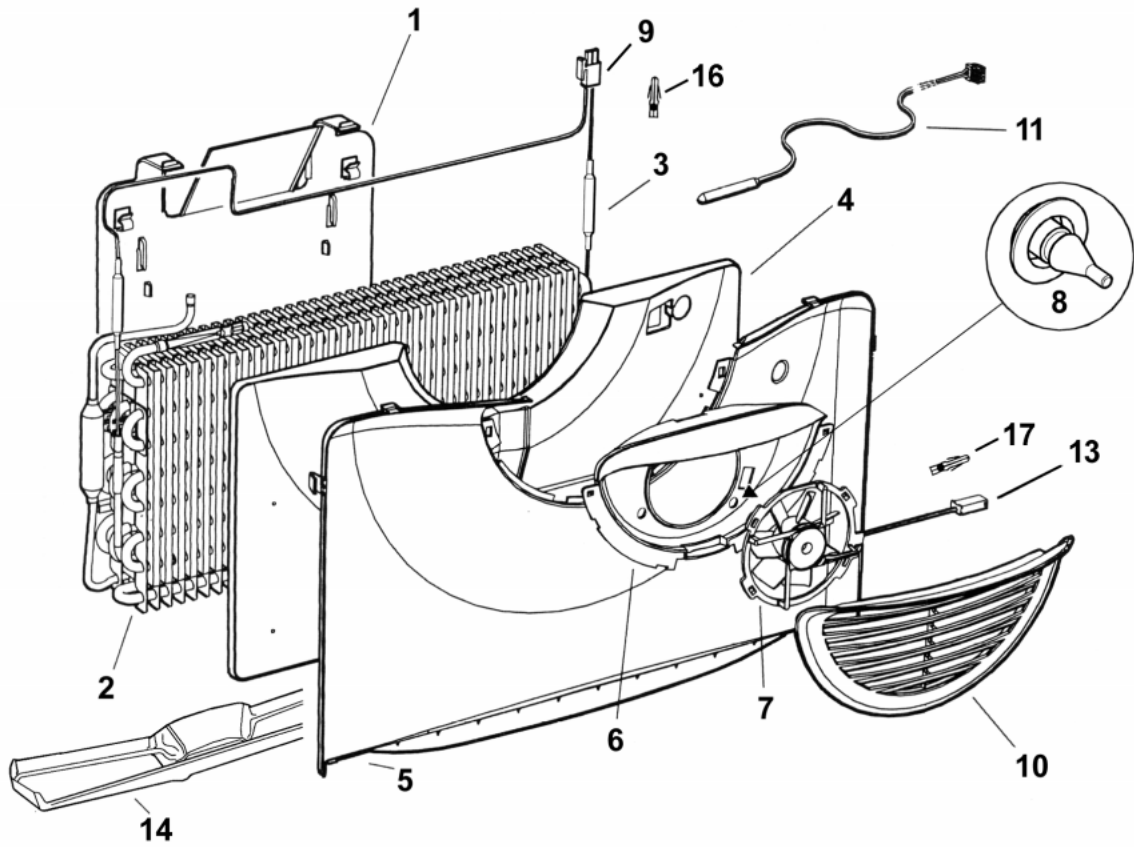
878448 BRAKE ROLLER ASSEMBLY

878450 GEAR ROLLER ASSEMBLY

878452 PINION ROLLER ASSEMBLY GREY

878458 ROLL PIN 4.5DIAX45 PASSIVE ZP

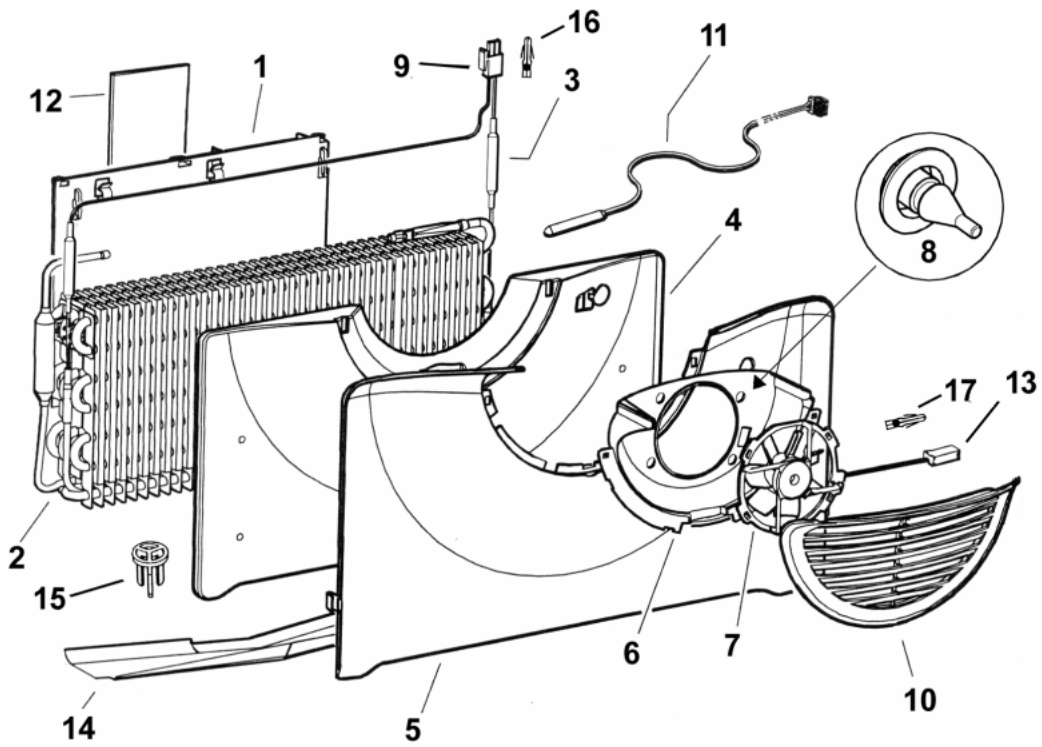
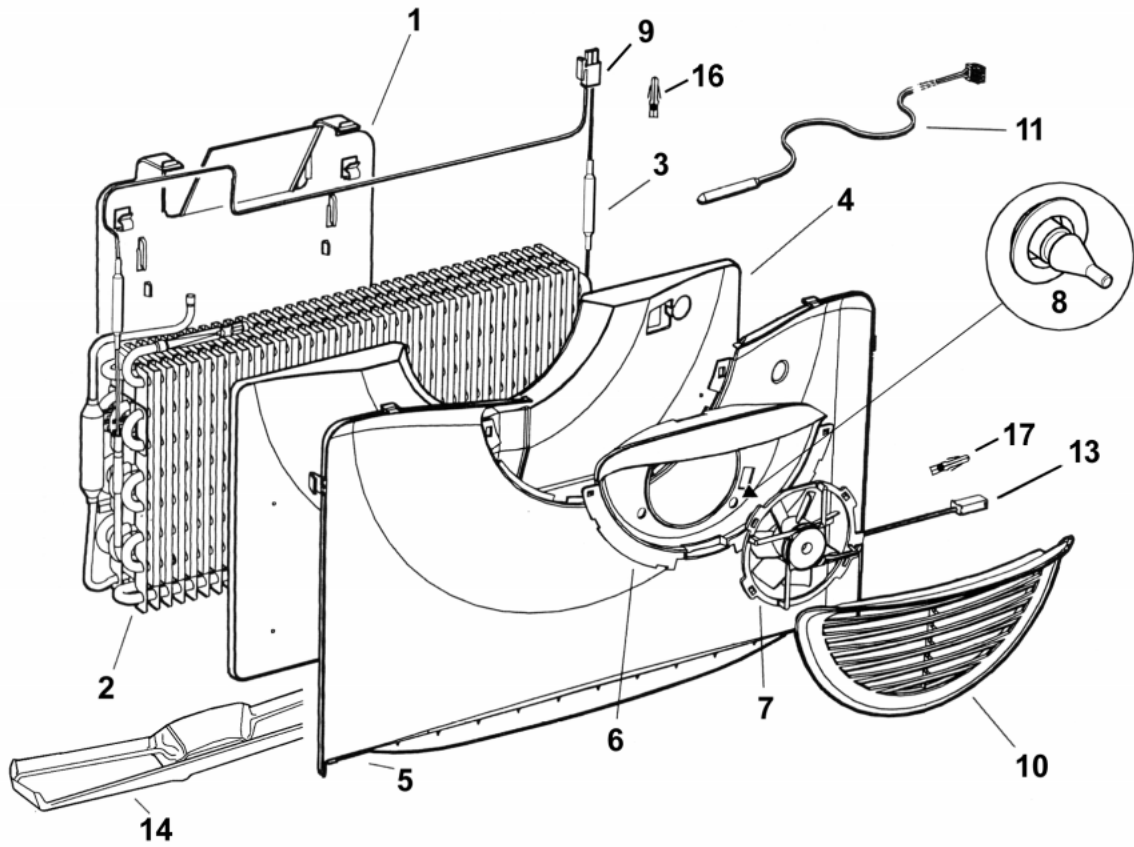
FAN AND EVAPORATOR ASSEMBLIES



FAN AND EVAPORATOR ASSEMBLIES

REF	PART	DESCRIPTION	MODEL
1	880494	CHASSIS EVAP ELECT 790B	E16B
	880495	CHASSIS EVAP T ELECT	E16T
	880495	CHASSIS EVAP T ELECT	E440T
	880494	CHASSIS EVAP ELECT 790B	E442B
2	872948	EVAPORATOR 680B SERVICE KIT	E16B
	872947	EVAPORATOR 680T SERVICE KIT	E16T
	872947	EVAPORATOR 680T SERVICE KIT	E440T
	874092	EVAPORATOR 680T FIELD FIX 110V	E440T
	872948	EVAPORATOR 680B SERVICE KIT	E442B
	874093	EVAPORATOR 680B FIELD FIX 110V	E442B
3	874169	HEATER DFRST&FUSE ASS RED 110V	
		<i>872957 AMP SKT 16-20AWG 171639-1</i>	
		<i>873988 PLUG 2WAY HSG AMP MATE-N-LOK</i>	
	874170	HEATER DEFROST & FUSE YEL 240V	
		<i>872957 AMP SKT 16-20AWG 171639-1</i>	
		<i>873988 PLUG 2WAY HSG AMP MATE-N-LOK</i>	
4	877959	INSULATION COVER EVAP 680B P42	E16B
	871142	INSULATION COVER EVAP 680T P42	E16T
	871142	INSULATION COVER EVAP 680T P42	E440T
	877959	INSULATION COVER EVAP 680B P42	E442B
5	873963	COVER EVAPORATOR 680B P42	E16B
	873965	COVER EVAPORATOR 680T P42	E16T
	873965	COVER EVAPORATOR 680T P42	E440T
	873963	COVER EVAPORATOR 680B P42	E442B
6	877958	COVER REAR FC FAN 'B' P42	E16B
	877957	COVER REAR FC FAN 'T' P42	E16T
	877957	COVER REAR FC FAN 'T' P42	E440T
	877958	COVER REAR FC FAN 'B' P42	E442B
7	872594	FAN MOTOR 12V DC FC ASSY P42	
		<i>872956 AMP HOUSING FEMALE 172233-1</i>	
		<i>878545 AMP PIN 16-20AWG 171680-1</i>	
8	872951	GROMMET FC FAN P42	
9	873988	PLUG 2WAY HSG AMP MATE-N-LOK	
10	873786	GRILLE FAN CLIP-ON P42	
11	855203P	SENSOR KIT ASSY	
12	872596	DEFLECTOR CHASSIS HTR B MOD 790	E16B
	872596	DEFLECTOR CHASSIS HTR B MOD 790	E442B

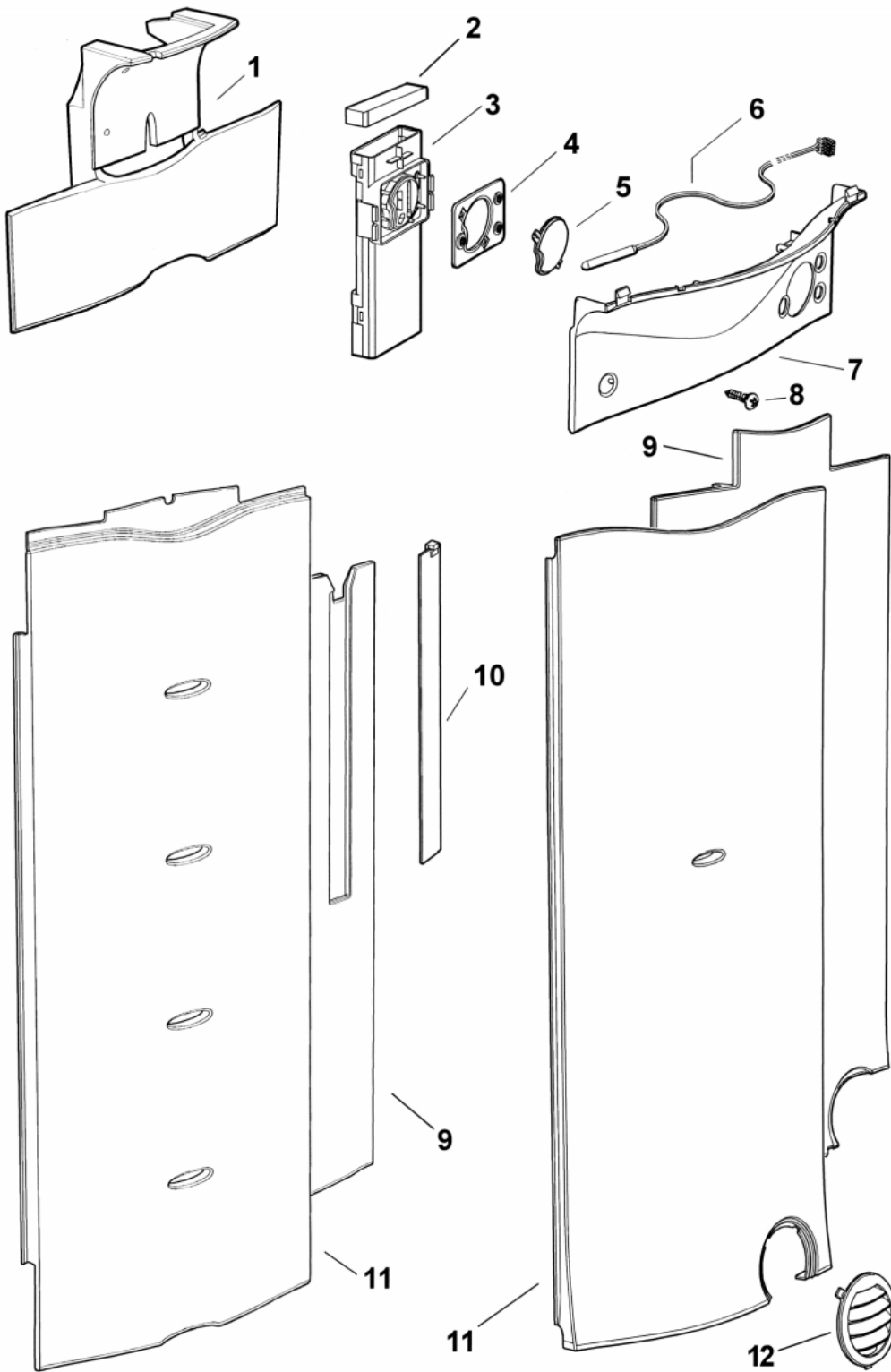
FAN AND EVAPORATOR ASSEMBLIES



FAN AND EVAPORATOR ASSEMBLIES

REF	PART	DESCRIPTION	MODEL
13	872956	AMP HOUSING FEMALE 172233-1	
14	873952	SHIELD DRAIN HEATER DEFROST	E16B
	877966	SHIELD DRAIN HTR DEF T MOD 680	E16T
	877966	SHIELD DRAIN HTR DEF T MOD 680	E440T
	873952	SHIELD DRAIN HEATER DEFROST	E442B
15	876771	FILTER 'P' CATCHER DRAIN	E16B
	876771	FILTER 'P' CATCHER DRAIN	E442B
16	872957	AMP SKT 16-20AWG 171639-1	
17	878545	AMP PIN 16-20AWG 171680-1	
NI	871463	CLIP TUBE EVAP PLASTIC	
NI	873195	STRIP HEATER EVAPORATOR COVER	E16T
	873195	STRIP HEATER EVAPORATOR COVER	E440T

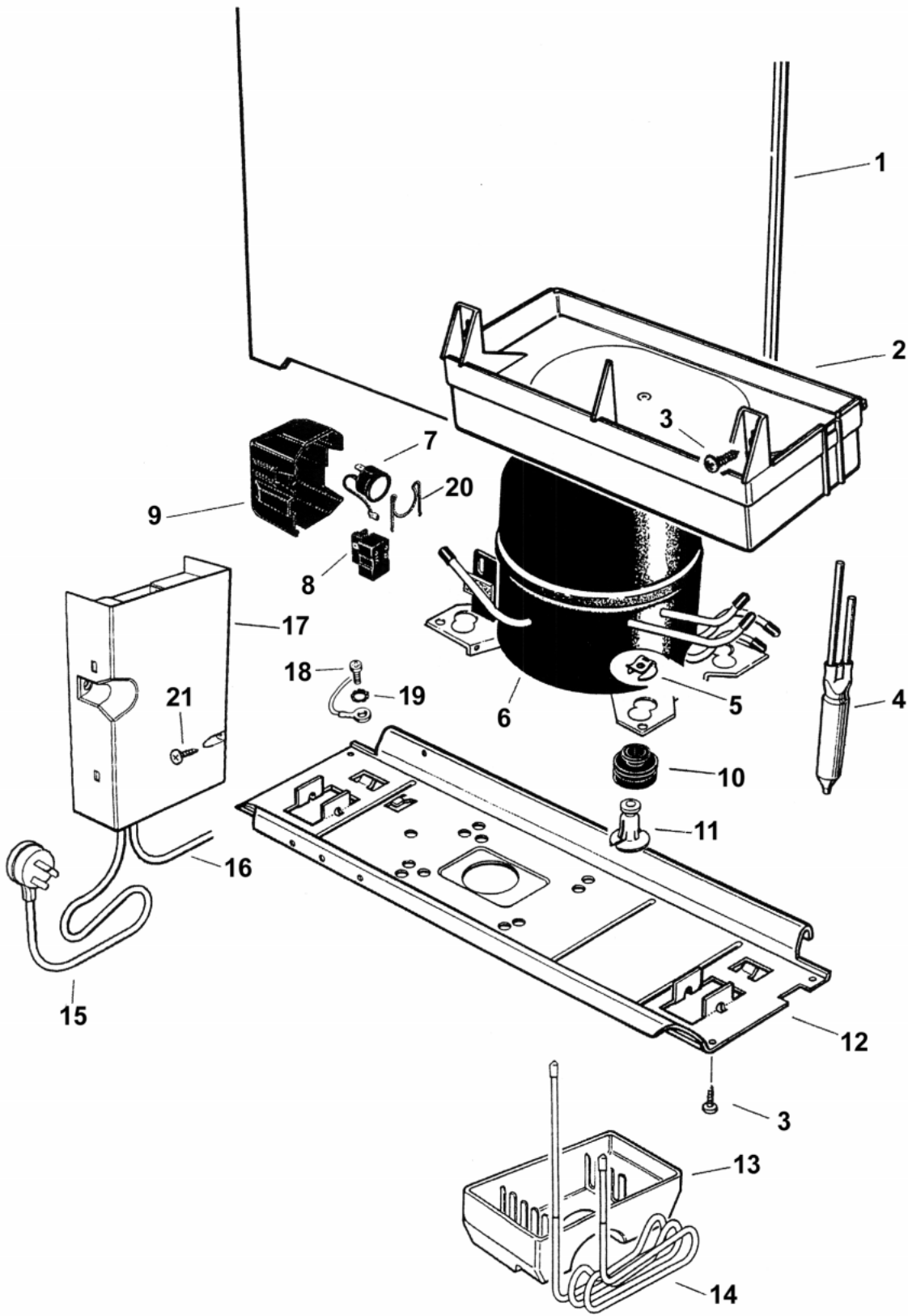
ELECTRONIC MODULE AND DUCT COVERS



ELECTRONIC MODULE AND DUCT COVERS

REF	PART	DESCRIPTION	MODEL
1	880260	INSULATION COVER DUCT TOP T	E16T
	880260	INSULATION COVER DUCT TOP T	E440T
2	872828	CAP CONTROL BOX P42	
3	880731P	MODULE CONTROL ELECTRONIC STAG	
4	873990	GASKET PCB INTERFACE ELCT P42	
5	872949	LENS LED PAD PRINTED ASSY P42	
6	855203P	SENSOR KIT ASSY	
7	874811	COVER DUCT B PC TOP P42	E16B
	872987	COVER DUCT T PC TOP P42	E16T
	872987	COVER DUCT T PC TOP P42	E440T
	874811	COVER DUCT B PC TOP P42	E442B
8	SP0055	SCREW #8X20 AB PAN PHIL SS	E16T
	SP0055	SCREW #8X20 AB PAN PHIL SS	E440T
9	877840	INSULATION COVER DUCT B680,790	E16B
	880259	INSULATION COVER DUCT LONG T	E16T
	880259	INSULATION COVER DUCT LONG T	E440T
	877840	INSULATION COVER DUCT B680,790	E442B
10	873569	PCB AMBIENT HEATER 7W P42	E16T
	873569	PCB AMBIENT HEATER 7W P42	E440T
11	880358	COVER DUCT PC	E16B
	873583	COVER DUCT T MODEL LONG	E16T
	873583	COVER DUCT T MODEL LONG	E440T
	880358	COVER DUCT PC	E442B
12	877922	COVER PC RETURN AIR B MODELS P	E16B
	877922	COVER PC RETURN AIR B MODELS P	E442B
NI	873243	STKOCKO 7234-012-500-450	
	873247	STOCKO 7234-006-500-450	
	873250	STOCKO 7234-004-500-450	
	873251	STOCKO 7234-003-500-450	
	873279	STOCKO 7234-008-500-450	

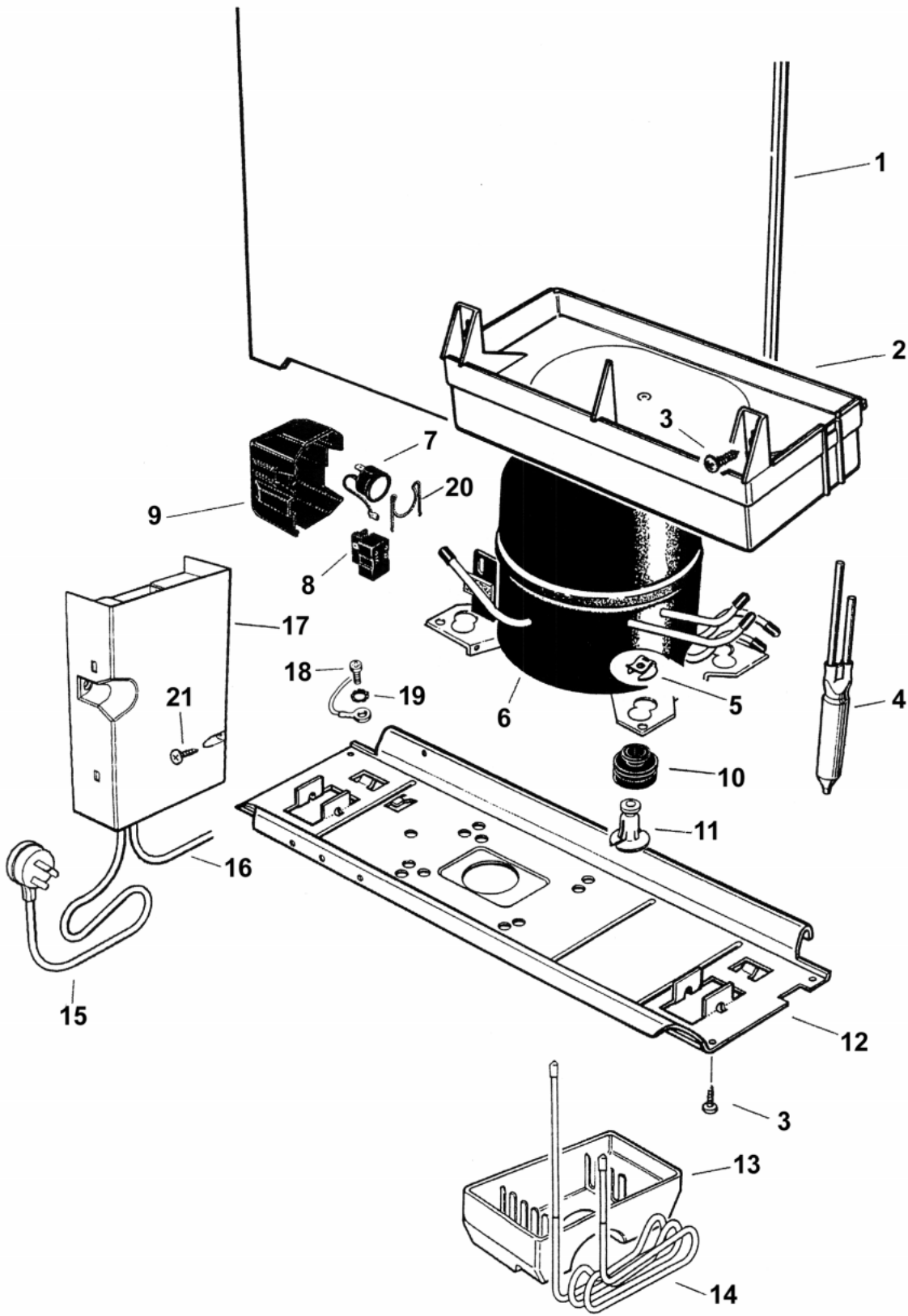
COMPRESSOR AND POWER MODULE



COMPRESSOR AND POWER MODULE

REF	PART	DESCRIPTION	MODEL
1	873044	PANEL BACK & CONDENSER ASSY	
2	872349	TRAY WATER EVAP TOP HAT MOULD	
	876653	TRAY WATER EVAPORATOR NOTCHED	
3	900475	SCREW #8X16.4MM SP PAN NIB ST	
4	502173	FILTER DRIER 12 GR DUAL BRAZED	
5	850266	CLIP COMPRESSOR	
6	209492P	COMPR PKD MAT DB77C14R 240V50H	
	209078	<i>COVER PROTECTOR COMPRESSOR MAT</i>	
	209083	<i>O/LOAD MM3-18GCF</i>	
	209673#	<i>CLAMP PROTECTOR COVER MAT</i>	
	209674	<i>CLIP O/LOAD 01-246801</i>	
	209988	<i>RELAY PTC D SERIES MM8-5DDT33M</i>	
	502173	<i>FILTER DRIER 12 GR DUAL BRAZED</i>	
	872838	<i>GROMMET COMPRESSOR MOUNTING</i>	
	209796P	COMPR PKD EMD EMB FGS80 115V60	
	209674	<i>CLIP O/LOAD 01-246801</i>	
	209696	<i>OVERLOAD EMB 115V60H 4TM319RFB</i>	
	209715	<i>RELAY PTC EMB 8EA-103 115V60HZ</i>	
	209995	<i>PROTECTOR COVER EMBRACO</i>	
	209996	<i>RETAINER CABLE EMBRACO</i>	
	502173	<i>FILTER DRIER 12 GR DUAL BRAZED</i>	
	872838	<i>GROMMET COMPRESSOR MOUNTING</i>	
	209999P	COMPR EMB FGS90HAW 240V 60HZ	
	209674	<i>CLIP O/LOAD 01-246801</i>	
	209993	<i>RELAY PTC EMBRACO 8EA 503</i>	
	209994	<i>OVERLOAD COMPR 283KFBYY FGS90</i>	
	209995	<i>PROTECTOR COVER EMBRACO</i>	
	209996	<i>RETAINER CABLE EMBRACO</i>	
	502173	<i>FILTER DRIER 12 GR DUAL BRAZED</i>	
	872838	<i>GROMMET COMPRESSOR MOUNTING</i>	
7	209083	O/LOAD MM3-18GCF	
	209696	OVERLOAD EMB 115V60H 4TM319RFB	
	209994	OVERLOAD COMPR 283KFBYY FGS90	
8	209715	RELAY PTC EMB 8EA-103 115V60HZ	
	209988	RELAY PTC D SERIES MM8-5DDT33M	
	209993	RELAY PTC EMBRACO 8EA 503	
9	209078	COVER PROTECTOR COMPRESSOR MAT	

COMPRESSOR AND POWER MODULE



COMPRESSOR AND POWER MODULE

REF	PART	DESCRIPTION	MODEL
9	209995	PROTECTOR COVER EMBRACO	
10	872838	GROMMET COMPRESSOR MOUNTING	
11	850265	PIN COMPRESSOR MOUNTING	
12	878488	TRAY COMP MOUNTING 680 P42	
13	873228	TRAY WATER OVERFLOW	
14	873040	TUBE HEATER SHEATHED 4.2MM	
15	812249	CORD POWER SUPPLY FUJI	
	855274	CABLE MAINS 2PIN EURO 230V ST3	
	855275	CABLE MAIN 3PIN ULSTD 110V ST3	
	873354	CABLE MAIN 3 FLAT PIN 230V ST3	
	873356	CABLE MAIN 3PIN FUSED 230V ST3	
16	871388	HARNESS COMPRESSOR 3 CORE ST3	
	871389	HARNESS COMPRESSOR 4 CORE ST3	
	880534	HARNESS 3 CORE RING TERMINAL	
17	872578P	MODULE POWER&SWITCH ELECTRONIC	
	* 878792P	MODULE POWER&SWITCH ELECTRONIC ASSY 110V	
18	900377	SCREW #8X32X8 TY T PAN PH ZP	
19	900101	WASHER LOCK NO 10 EXT SP ZP	
20	209674	CLIP O/LOAD 01-246801	
21	871452	SCREW 4X20 PH ST	
NI	874810	SUCTION & CAPIL ASSY E442B P42	E16B
	875113	SUCTION & CAPILLARY E440T P42	E16T
	875113	SUCTION & CAPILLARY E440T P42	E440T
	874810	SUCTION & CAPIL ASSY E442B P42	E442B
NI	874329	CABLE LEAD EARTH	
NI	878548	LABEL WIRING DIAGRAM 110V	
	882639	LABEL WIRING DIAGRAM	
NI	209957	CAPACITOR RUN 15MF 210V	

NOTES

DOOR ASSEMBLIES TOP FREEZER

Notes

- 16 All integral door assemblies supplied as spare parts will NOT include the push in type door gasket
6 All integral door assemblies supplied as spare parts will NOT include the push in type door gasket

Technical Bulletins

- 4 RF92

DOOR ASSEMBLIES BOTTOM FREEZER

Notes

- 11 All integral door assemblies supplied as spare parts will NOT include the push in type door gasket
20 All integral door assemblies supplied as spare parts will NOT include the push in type door gasket

Technical Bulletins

- 4 RF92

CABINET TOP FREEZER

Notes

- 878582 Only available as complete assembly please order part number 880820
878583 Only available as complete assembly please order part number 880820

CABINET BOTTOM FREEZER

Notes

- 878582 Only available as complete assembly please order part number 880820
878583 Only available as complete assembly please order part number 880820

FRONT AND REAR CABINET ROLLERS

Technical Bulletins

- 11 RF95

COMPRESSOR AND POWER MODULE

Technical Bulletins

- 878792P RF101

REFRIGERATION ABBREVIATION KEY

DESCRIPTION KEY

PC	PROVISION COMPARTMENT
FC	FREEZER COMPARTMENT
HCL	HUMIDITY CONTROL LID
HC	HUMIDITY COMPARTMENT
HS	HOT STAMPED
X/RAIL	CROSS RAIL
BC	BUTTER CONDITIONER
BS	"B" SERIES CABINET
CH	CHARCOAL COLOUR
LT GY	LIGHT GREY COLOUR
MD GY	MID GREY COLOUR
DK GY	DARK GREY COLOUR
SATIN or SC	SATIN CHROME FINISH
S/STONE	SANDSTONE COLOUR
SS	STAINLESS STEEL
SL or SIL	SILVER
HAN P/C	HANDLE POWDER COATED
F&P	FISHER & PAYKEL
PUSHIN	PUSHIN TYPE GASKET
LH	LEFT HAND
RH	RIGHT HAND
LHT	LEFT HAND TOP
RHT	RIGHT HAND TOP
LHB	LEFT HAND BOTTOM
RHB	RIGHT HAND BOTTOM
SML	SMALL
DC	DIRECT CURRENT
10W	10 WATTS
12V	12 VOLTS
XH9	TYPE OF DESSICANT WITHIN A FILTER DRYER
M5	5 MILLIMETER