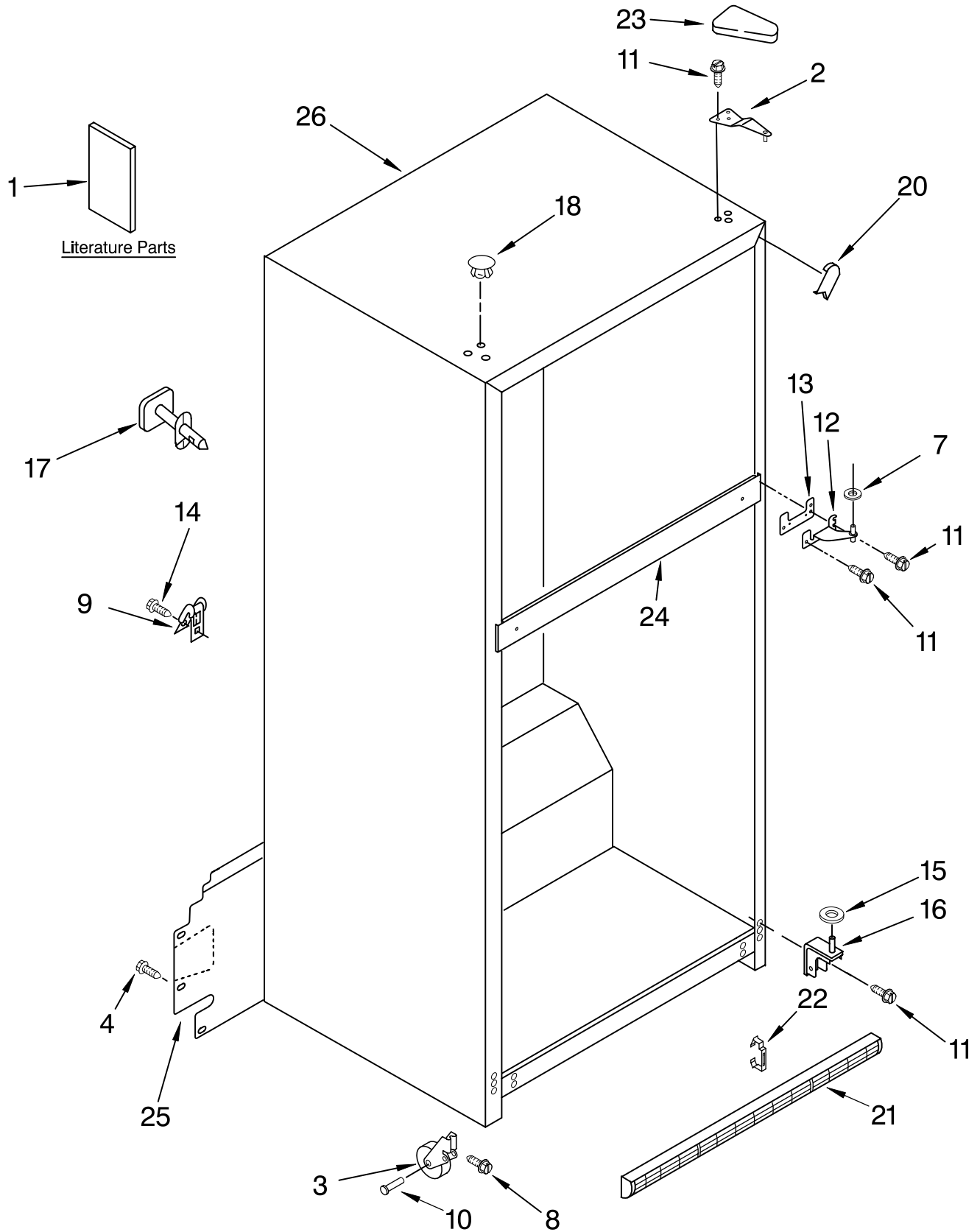


For Models: KTRC22KMWH05, KTRC22KMBT05, KTRC22KMBL05, KTRC22KMSS05  
(White) (Biscuit) (Black) (Stainless Steel)



FOR ORDERING INFORMATION REFER TO PARTS PRICE LIST

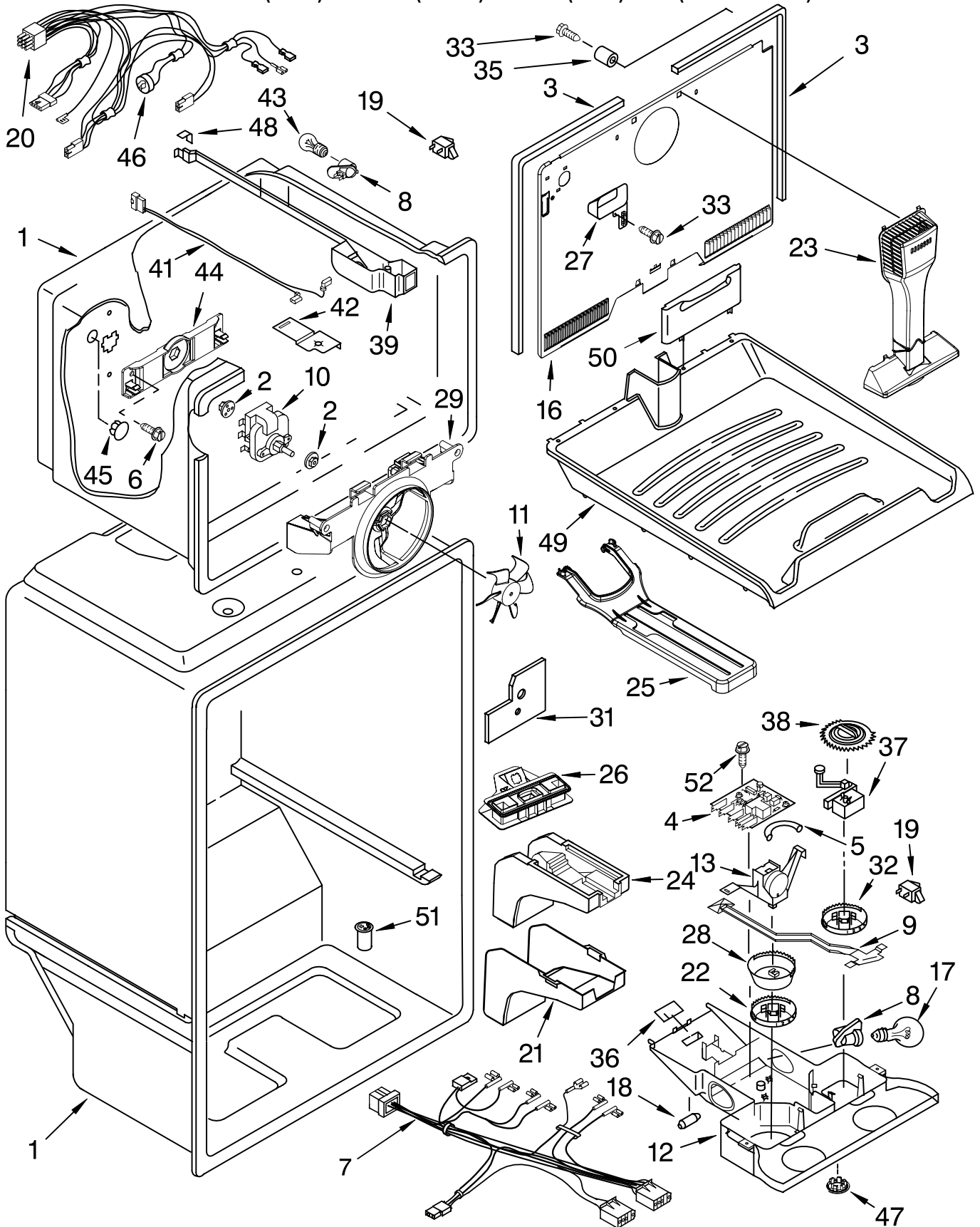
# CABINET PARTS

For Models: KTRC22KMWH05, KTRC22KMBT05, KTRC22KMBL05, KTRC22KMSS05  
 (White) (Biscuit) (Black) (Stainless Steel)

Illus. No.	Part No.	DESCRIPTION
1		Literature Parts
	2314274	Service & Wiring Sheet
	2302199	Energy Label
	2314464	Use & Care Guide
	2225415	Customer Instructions
2	2189410	Hinge (Top)
3	2166108	Roller, Front (2)
4	489427	Screw
7	489341	Washer
8	3400504	Screw
9	549193	Clamp, Cord
10	2179826	Rivet
11	489497	Screw
12	2183972	Hinge, Center
13	2183854	Shim, Hinge Center
14	489464	Screw
15	487576	Washer
16	2254473	Hinge Butt
17		Fitting, Water Tube (NOT SERVICED)
18		Hole Plug (6)
	2201012	White
	2200924	Biscuit
	2183998	Black
20		Corner Filler (2)
	2201014	White
	2200926	Biscuit
	2201017	Black
21		Grille (Includes Illus. 22)
	2254313	White
	2254316	Biscuit
	2254315	Black
22	2189356	Clip, Grille (2)
23		Cover, Hinge
	2213360	White
	2213364	Biscuit
	2213363	Black
24		Rail, Center (NOT SERVICED)
25	2202884	Cover, Unit
26		Cabinet (Not a Serviceable Part)

# LINER PARTS

For Models: KTRC22KMWH05, KTRC22KMBT05, KTRC22KMBL05, KTRC22KMSS05  
 (White) (Biscuit) (Black) (Stainless Steel)



FOR ORDERING INFORMATION REFER TO PARTS PRICE LIST

# LINER PARTS

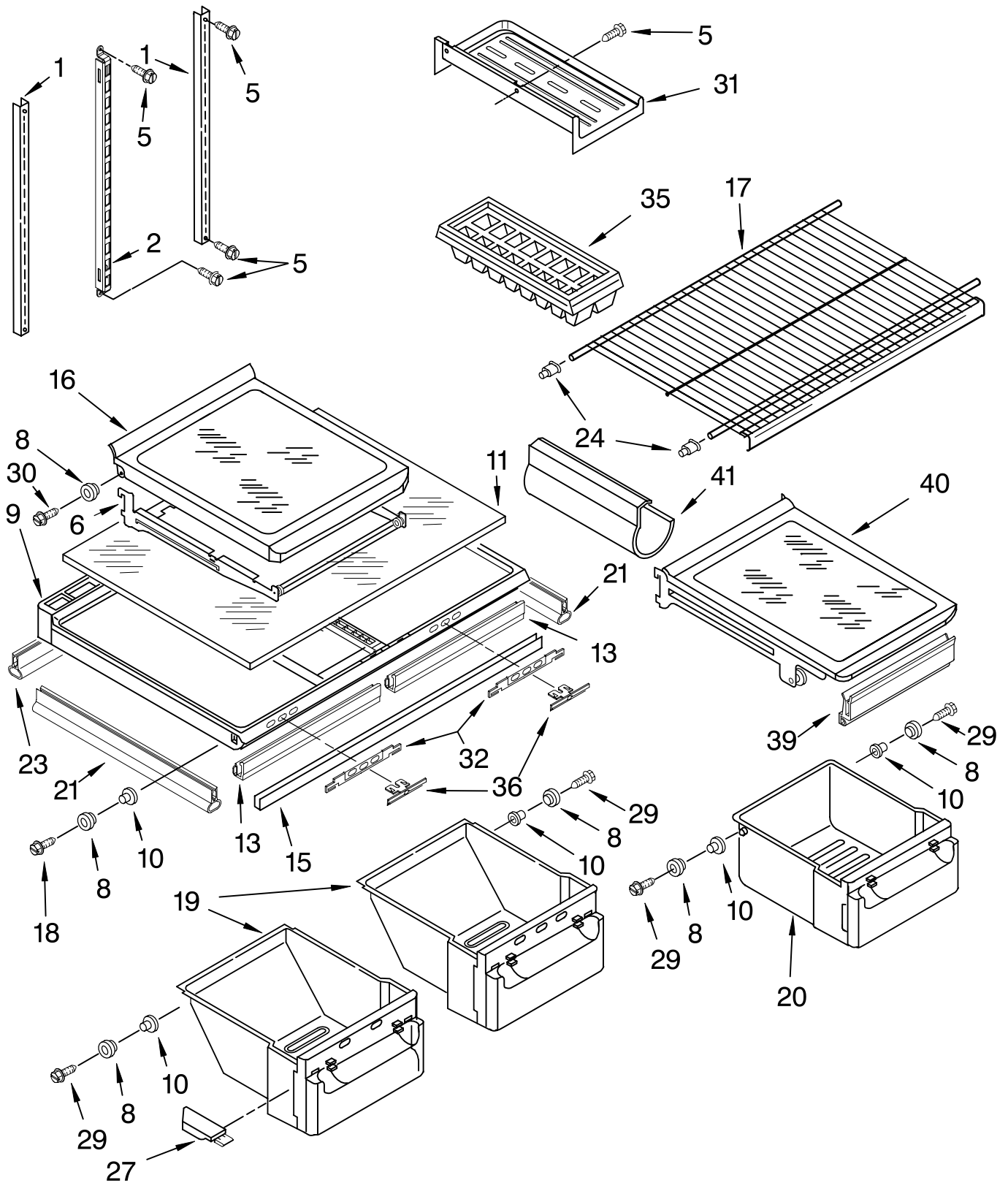
For Models: KTRC22KMWH05, KTRC22KMBT05, KTRC22KMBL05, KTRC22KMSS05  
 (White) (Biscuit) (Black) (Stainless Steel)

Illus. No.	Part No.	DESCRIPTION	Illus. No.	Part No.	DESCRIPTION	Illus. No.	Part No.	DESCRIPTION
1		Liner (Not A Serviceable Part)	19	1118894	Rocker Arm Switch	35	487996	Cap
2	2197380	Grommet (2)	20	2310043	Wire Assembly, Freezer Compartment (Includes Illus. 46)	36	2205079	Seal, Rear Thermostat
3	2254360	Gasket, Evaporator Cover (2)	21	2176281	Cover, Air Diffuser	37	2204991	Control, Freezer
4	2304099	Adaptive Defrost Control	22	2205094	Knob, Thermostat	38	2204992	Gear Wheel, Freezer Control
5		Thermostat Tube Barrier	23	2254354	Air Tower	39	2300418	Housing Base
	549512	Refrigerator Control	24	2189452	Air Diffuser, Bottom	41	2187601	Wiring Harness, Freezer Light
	2212485	Freezer Control	25	2225473	Retainer, Freezer Floor	42	2193491	Electrical Shield, Freezer Light
6	488208	Screw	26	2212439	Air Separator Assembly	43	2260802	Light Bulb
7	2310057	Wire Assembly Control Box	27	2205003	Cover, Hole	44	2254454	Bracket
8	2162085	Socket, Light	28	2184574	Gear Wheel, Thermostat	45	941839	Hole Plug
9	2212413	Damper, Air (Slide)	29	2254453	Bracket, Fan Motor	46	2314158	Defrost, BI-Metal
10	2214986	Fan Motor	31	2204639	Shield, Heat	47	940014	Hole Plug, Control Box
11	2163777	Fan Blade	32	2204951	Knob, Damper	48	2166284	Gasket, Rear
12	2213193	Control Box	33	489478	Screw	49	2225476	Pullout, Freezer Floor
13	2302286	Thermostat Assembly				50	2198768	Rear Fence, Pull-Out Freezer Floor
16	2254262	Cover, Evaporator				51	2210509	Valve
17	2255743	Light Bulb (2)				52	8534009	Screw
18	2200831	Weight, Thermal						

FOR ORDERING INFORMATION REFER TO PARTS PRICE LIST

# SHELF PARTS

For Models: KTRC22KMWH05, KTRC22KMBT05, KTRC22KMBL05, KTRC22KMSS05  
(White) (Biscuit) (Black) (Stainless Steel)



FOR ORDERING INFORMATION REFER TO PARTS PRICE LIST

# SHELF PARTS

For Models: KTRC22KMWH05, KTRC22KMBT05, KTRC22KMBL05, KTRC22KMSS05  
 (White) (Biscuit) (Black) (Stainless Steel)

Illus. No.	Part No.	DESCRIPTION
1	2210522	Shelf, Ladder (2)
2	2300520	Shelf, Ladder Center
5	489478	Screw
6	2174014	Frame Assembly, Cantilever (Includes Illus. 8 & 10)
8	2188212	Roller & Tread Assembly
9	2210583	Crisper Cover (Includes Items 8,10,13,18,21,23 32 & 36)
10	2174478	Eyelet, Roller
11	2210571	Glass, Crisper Cover
13	2179213	Gasket, Crisper Cover (Front) (2)
15	2163832	Crisper Support
16	2174012	Shelf Assembly, Spillguard (Includes Items 8 & 30)
17	2184667	Shelf, Freezer
18	489211	Screw
19	2188816	Pan, Crisper (Includes Items 8,10,27 & 29)
20	2188818	Pan, Meat (Includes Items 8,10 & 29)
21	2179214	Gasket, Crisper Cover (Side) (4)
23	2179216	Gasket, Crisper Cover (Rear) (2)
24	2163762	Cup, Shelf Mtg.
27	2174258	Cap, Crisper Left Side
	2174259	Right Side
29	489261	Screw
30	489439	Screw
31	2212770	Shelf, Ice Tray
32	2174257	Slide, Humidity
35	841180	Ice Tray (2)
36	2174253	Button, Humidity Control
39	2174396	Gasket, Front
40	2190504	Shelf Assembly, Spillguard
41	2179404K	Wine & Egg Rack

FOR ORDERING INFORMATION REFER TO PARTS PRICE LIST

# REFRIGERATOR DOOR PARTS

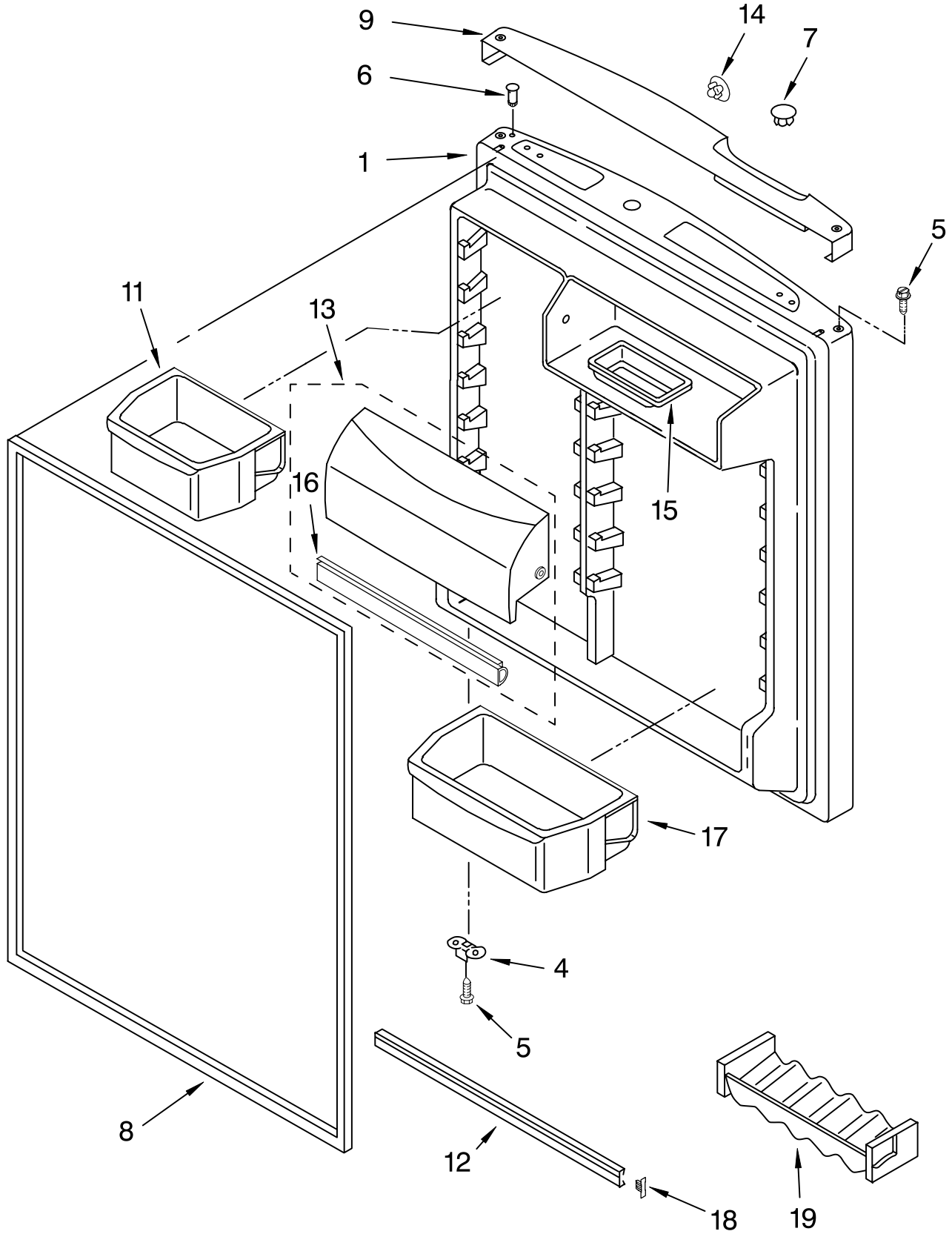
For Models: KTRC22KMWH05, KTRC22KMBT05, KTRC22KMBL05, KTRC22KMSS05

(White)

(Biscuit)

(Black)

(Stainless Steel)



FOR ORDERING INFORMATION REFER TO PARTS PRICE LIST

# REFRIGERATOR DOOR PARTS

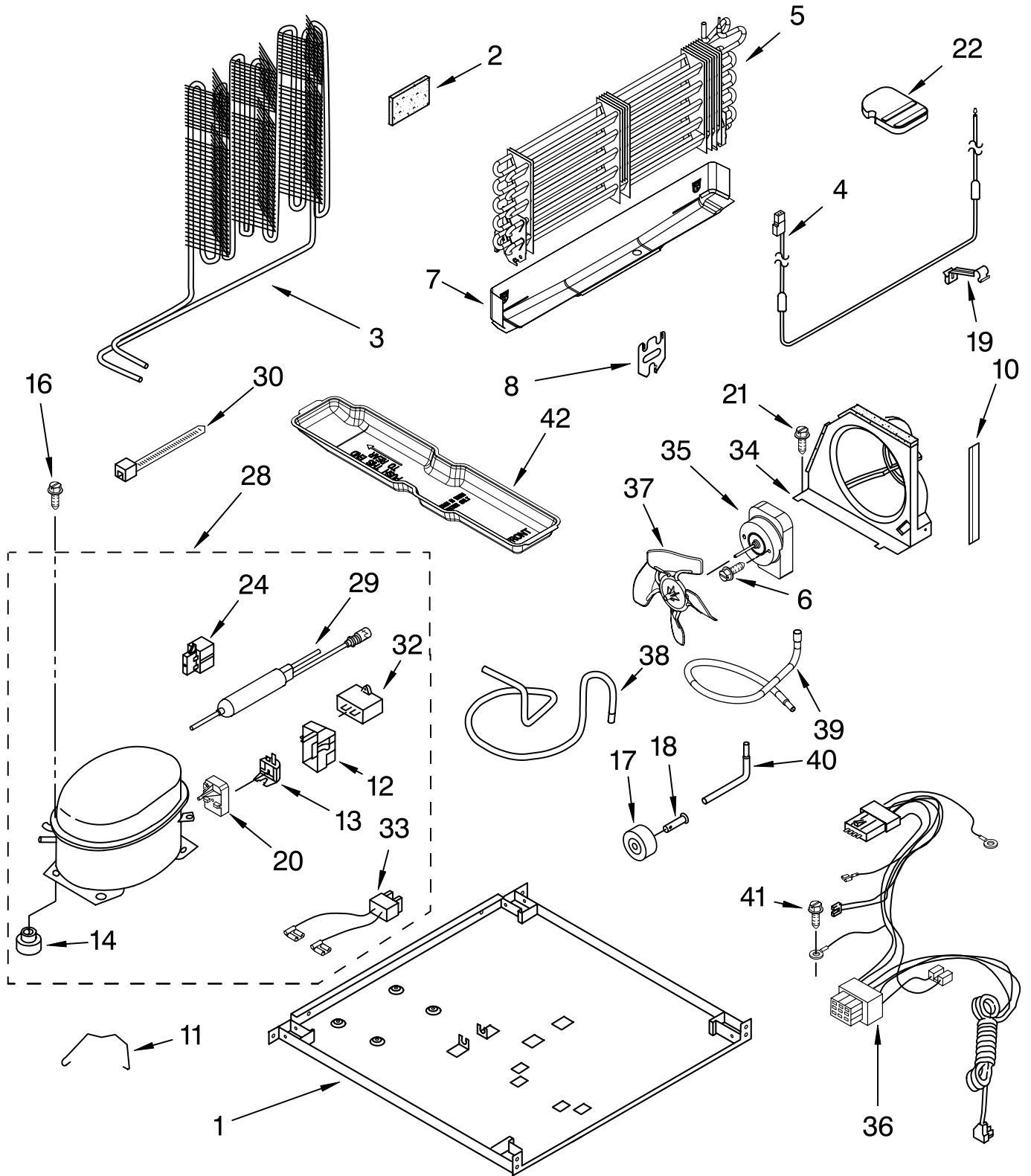
For Models: KTRC22KMWH05, KTRC22KMBT05, KTRC22KMBL05, KTRC22KMSS05  
 (White) (Biscuit) (Black) (Stainless Steel)

Illus. No.	Part No.	DESCRIPTION
1		Refrigerator Door (Includes Illus. 6 & 8)
	2205214	White
	2205215	Biscuit
	2205217	Black
	2212418	Stainless Steel
4	2189202	Bracket, Door Stop
5	489276	Screw
6	2183003	Thimble
7		Hole Plug
	2212648	White
	2212649	Biscuit
	2212651	Black
8		Door Gasket, Magnetic
	2202875	Mist Beige
	2202882	Black
9		Endcap, Handle
	2213333	White
	2213334	Biscuit
	2221628	Black
11	2171064	Bin, Door Shelf (2)
12	2195948	Shelf, Trim
13	2218119	Door Compartment
14		Hole Plug, Handle
	2204837	White
	2204838	Biscuit
	2204840	Black
15	2165792	Butter Dish
16	2159124	Gasket, Door Compartment
17	2171062	Bin, Door Shelf (1)
18	2156006	Plug, Trim
19	2193409	Beverage Holder



# UNIT PARTS

For Models: KTRC22KMWH05, KTRC22KMBT05, KTRC22KMBL05, KTRC22KMSS05  
(White) (Biscuit) (Black) (Stainless Steel)



FOR ORDERING INFORMATION REFER TO PARTS PRICE LIST

# UNIT PARTS

For Models: KTRC22KMWH05, KTRC22KMBT05, KTRC22KMBL05, KTRC22KMSS05  
 (White) (Biscuit) (Black) (Stainless Steel)

Illus. No.	Part No.	DESCRIPTION
1	2225596	Plate, Unit Mounting
2	2169104	Insulation, Sound Dampening
3	2214960	Condenser
4	2314157	Heater, Defrost
5	2254249	Evaporator Assy.
6	8533859	Screw
7	2254295	Drain Pan
8	2176301	Bracket, Heater
10	2300638	Extension, Air Baffle
11	2255113	Strap
12	4387731	Cover (Service Only)
13	4390624	Overload (Service Only)
14		Grommet (4)
	1100826	Production
	4387558	Service
16	489373	Screw
17	2150304	Roller (2)
18	2221797	Rivet
19	2182338	Clip, Heater
20	2225929	Start-Device Combination (Start Relay and Overload for Production Compressor Only)

Illus. No.	Part No.	DESCRIPTION
21	3400518	Screw
22	2201185	Support
24	2183454	Relay (Service Only)
28	2218968	Compressor (Includes Items 12,13,14,24 29,32 & 33)
29		Drier
	2199167	Production
	4387019	Service
30	2155774	Clamp
32		Capacitor
	2169373	Production
	1118576	Service
33	4387765	Wire Assembly (Service Only)
34	2302249	Air Baffle
35	2188874	Motor, Condenser
36	2187382	Wire Assembly Unit
37	2225834	Fan Blade
38	2205384	Tube, Discharge
39	2225237	Tube, Suction
40	2154109	Tube, Process
41	488500	Screw
42	2300635	Evaporator Tray

Illus. No.	Part No.	DESCRIPTION
Following Parts Not Illustrated and Optional Parts Not Included		
	978025	Valve, Access (1/4")
	978026	Valve, Access (5/16")
	978027	Valve, Access (3/8")
	978028	Valve, Access (1/2")
	978029	Valve, Access (5/8")
	978030	Valve, Access (3/4")
	876764	Valve, Access (3/16")

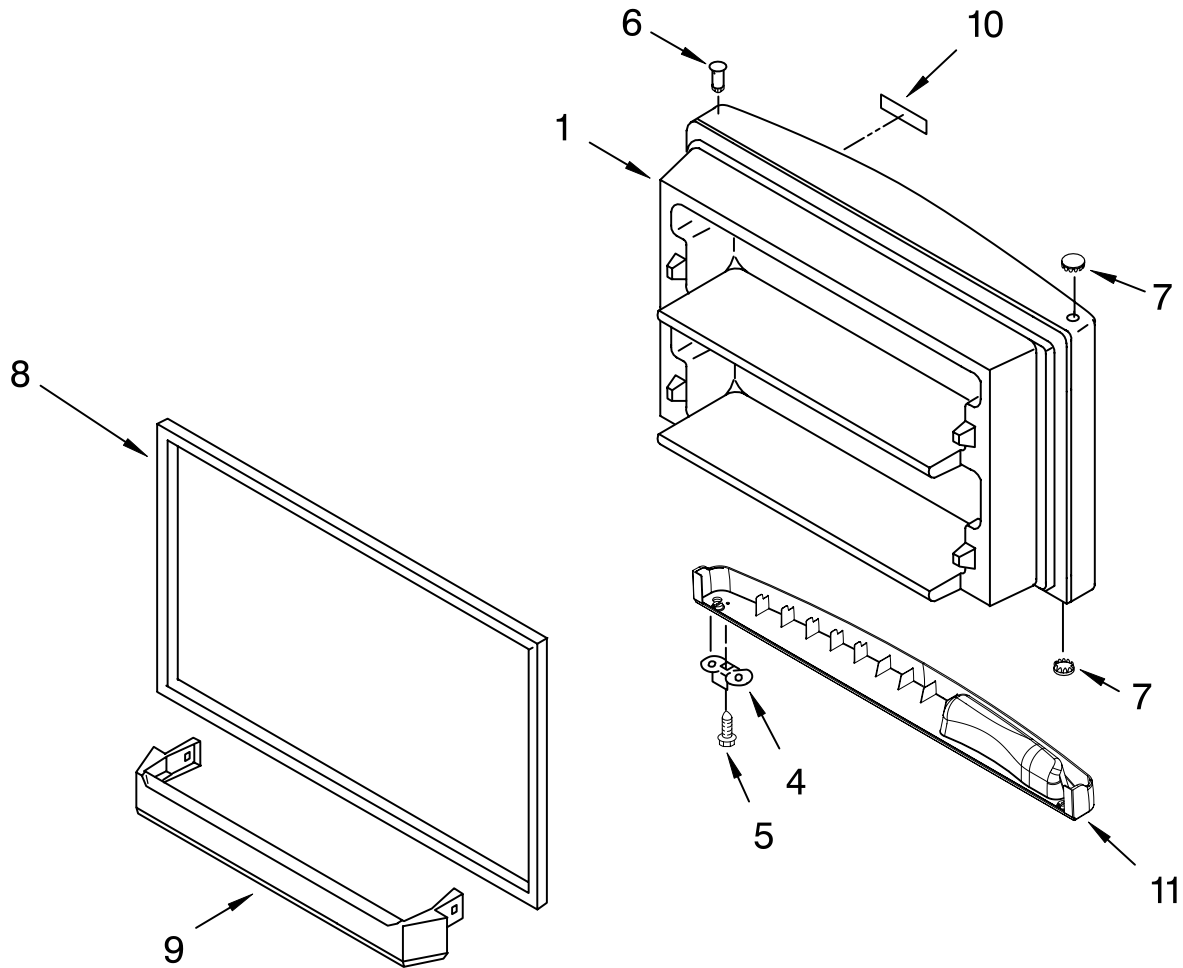
### REFRIGERANT CHARGE

4.0 Ozs.  
(R134A)



# FREEZER DOOR PARTS

For Models: KTRC22KMWH05, KTRC22KMBT05, KTRC22KMBL05, KTRC22KMSS05  
 (White) (Biscuit) (Black) (Stainless Steel)



Illus. No.	Part No.	DESCRIPTION	Illus. No.	Part No.	DESCRIPTION	Illus. No.	Part No.	DESCRIPTION
1		Freezer Door (Includes Illus. 6 & 8)	5	489276	Screw	9	2159292	Trim, Door
	2202520	White	6	2183003	Thimble	10		Nameplate
	2204854	Biscuit	7		Hole Plug		2212760	White
	2204856	Black		2212648	White		2212761	Biscuit
	2212419	Stainless Steel		2212649	Biscuit		2212762	Black
4	2189202	Bracket, Door Stop	8		Door Gasket, Magnetic	11		Endcap, Handle
				2214967	Mist Beige		2213328	White
				2214969	Black		2213329	Biscuit
							2221624	Black

FOR ORDERING INFORMATION REFER TO PARTS PRICE LIST

# OPTIONAL PARTS

For Models: KTRC22KMWH05, KTRC22KMBT05, KTRC22KMBL05, KTRC22KMSS05  
 (White) (Biscuit) (Black) (Stainless Steel)

Illus. No.	Part No.	DESCRIPTION
Parts Not Illustrated and Optional Parts (Not Included)		
	978941	Insulation, Fiberglass (63-1/2" x 35-1/2" x 2-5/8")
	212643	Sealer, Gum (4 Feet)
	479502	Tape, Vinyl (3/4" x 108")
	876305	Kit, Insulation (14 Pcs. 3" x 24" x 48")
	876370	Kit, Insulation (2 Pcs. 3" x 24" x 48")
	876029	Kit, Foam Slab (30" x 32-1/2" x 1-1/2")
	505587	Sealer, Mastic (1 Qt.)
	511873	Touch-Up, White Porcelain (2 Oz.)
	542638	Grease, Silicone (1/2 Oz.)
	542639	Cement, Alumilastic (1-1/4 Oz.)
	606755	Bag, Insulation (36-5/8" x 46")
	799833	Kit, Evaporator Repair (Aluminum Epoxy)
	799832	Kit, Porcelain Repair (White)
	503695	Cork Sealer (1/4 Pound)

Illus. No.	Part No.	DESCRIPTION
<b>Customer Touch-Up Material</b>		
	*350942	Primer, White (12 Oz. Spray Can)
	*350939	Enamel, Black (12 Oz. Spray Can)
	*350930	Enamel, White (12 Oz. Spray Can)
	*4392901	Enamel, Biscuit (12 Oz. Spray Can)
	72017	Brush Touch-Up Kit (White)
	72032	Brush Touch-Up Kit (Black)
	4392899	Brush Touch-Up Kit (Biscuit)

Illus. No.	Part No.	DESCRIPTION
<b>Refinishing Material</b>		
	799344	Enamel, White (1 Qt. Uncut)
	4392900	Enamel, Biscuit (1 Qt. Uncut)
	799340	Enamel, Black (1 Qt. Uncut)
	833938	Kit, Terminal Connector
<p><b>*Important:</b> The spray paint is not to be used where the paint may make contact with the door gaskets.</p>		
<b>ICE MAKER FIELD INSTALLABLE</b>		
	2155468	KIMS-9
<b>TORX SCREW WRENCH</b>		
	1117510	Torx Key