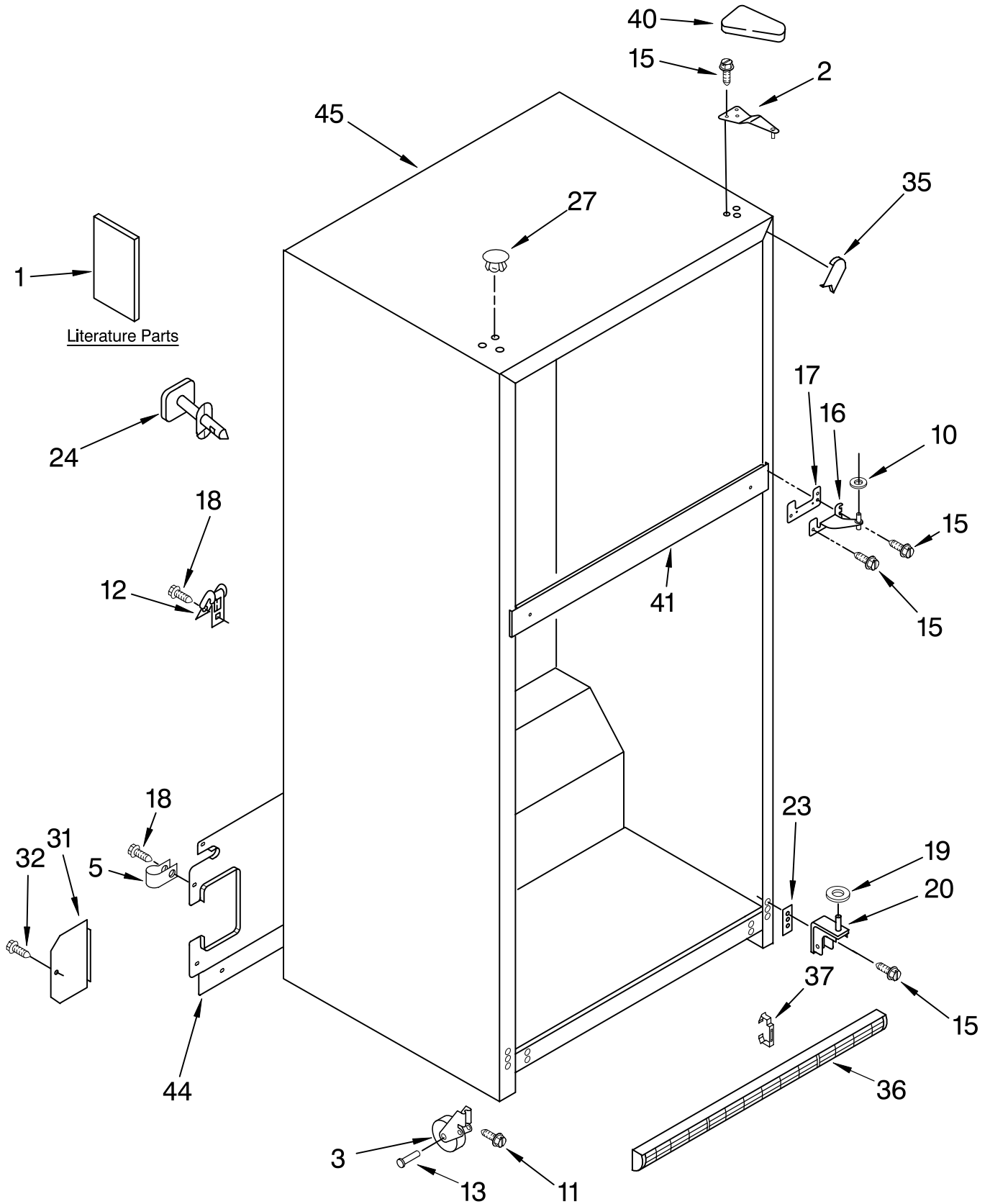


KitchenAid® CABINET PARTS

REFRIGERATOR

For Models: KTRC22KMWH01, KTRC22KMBT01, KTRC22KMBL01, KTRC22KMSS01
(White) (Biscuit) (Black) (Stainless Steel)



FOR ORDERING INFORMATION REFER TO PARTS PRICE LIST

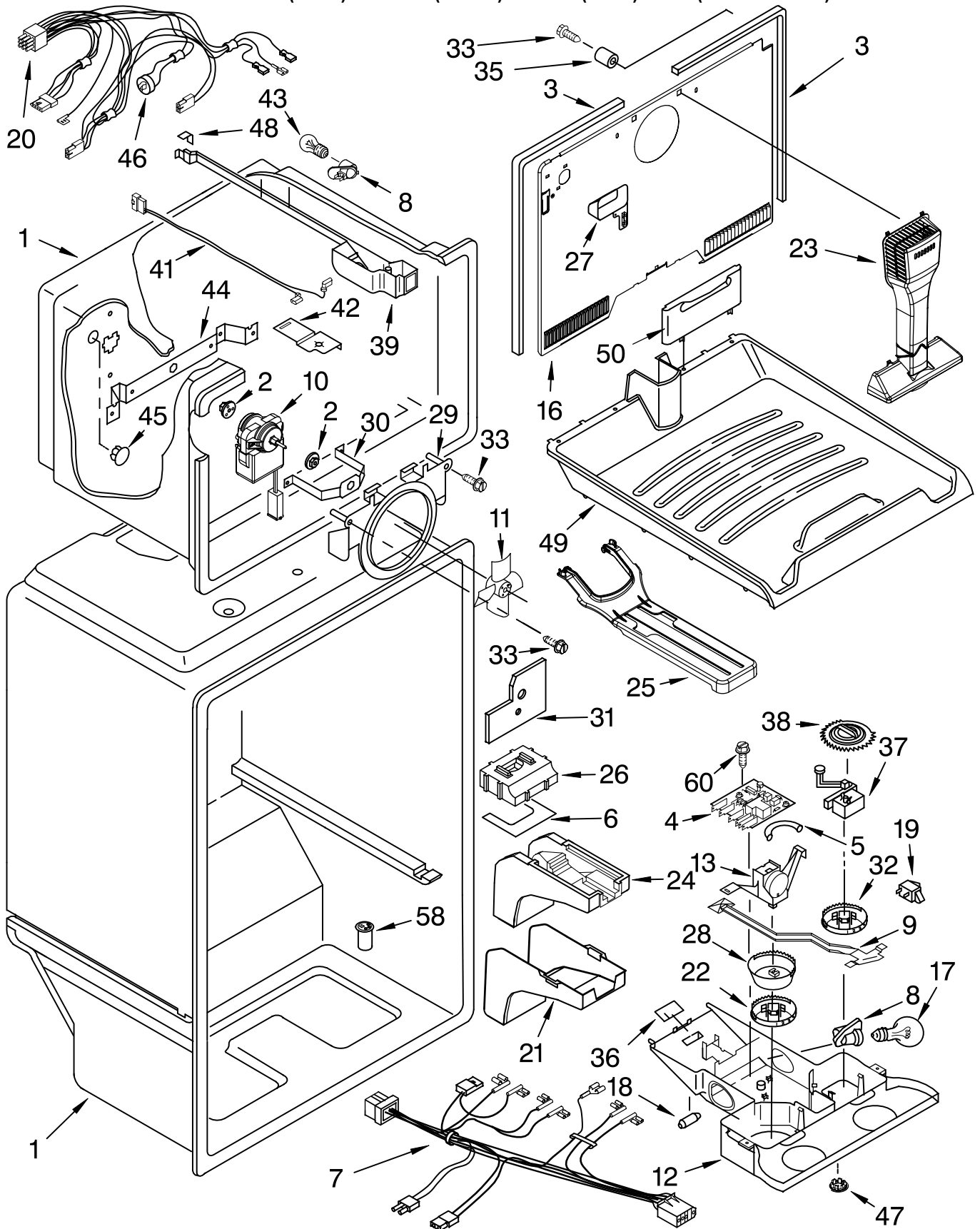
CABINET PARTS

For Models: KTRC22KMWH01, KTRC22KMBT01, KTRC22KMBL01, KTRC22KMSS01
 (White) (Biscuit) (Black) (Stainless Steel)

Illus. No.	Part No.	DESCRIPTION
1		Literature Parts
	LIT2225762	Service & Wiring Sheet
	LIT2301741	Energy Label
	LIT2225409	Use & Care Guide
	LIT2225415	Customer Instructions
2	2189410	Hinge (Top)
3	2166108	Roller, Front (2)
5	489385	Clamp, Tube (Water Supply Line)
10	489341	Washer
11	3400504	Screw
12	549193	Clamp, Cord
13	2179826	Rivet
15	489497	Screw
16	2183972	Hinge, Center
17	2183854	Shim, Hinge Center
18	489464	Screw
19	487576	Washer
20	2189194	Hinge Butt
23	2172743	Shim, Bottom Hinge
24		Fitting, Water Tube (NOT SERVICED)
27		Hole Plug (6)
	2201012	White
	2200924	Biscuit
	2183998	Black
31	2166251	Cover, Valve
32	489442	Screw
35		Corner Filler (2)
	2201014	White
	2200926	Biscuit
	2201017	Black
36		Grille
	2254313	White
	2254316	Biscuit
	2254315	Black
37	2189356	Clip, Grille
40		Cover, Hinge
	2213360	White
	2213364	Biscuit
	2213363	Black
41		Rail, Center (NOT SERVICED)
44	2253196	Cover, Unit
45		Cabinet (Not a Serviceable Part)

LINER PARTS

For Models: KTRC22KMWH01, KTRC22KMBT01, KTRC22KMBL01, KTRC22KMSS01
 (White) (Biscuit) (Black) (Stainless Steel)



FOR ORDERING INFORMATION REFER TO PARTS PRICE LIST

LINER PARTS

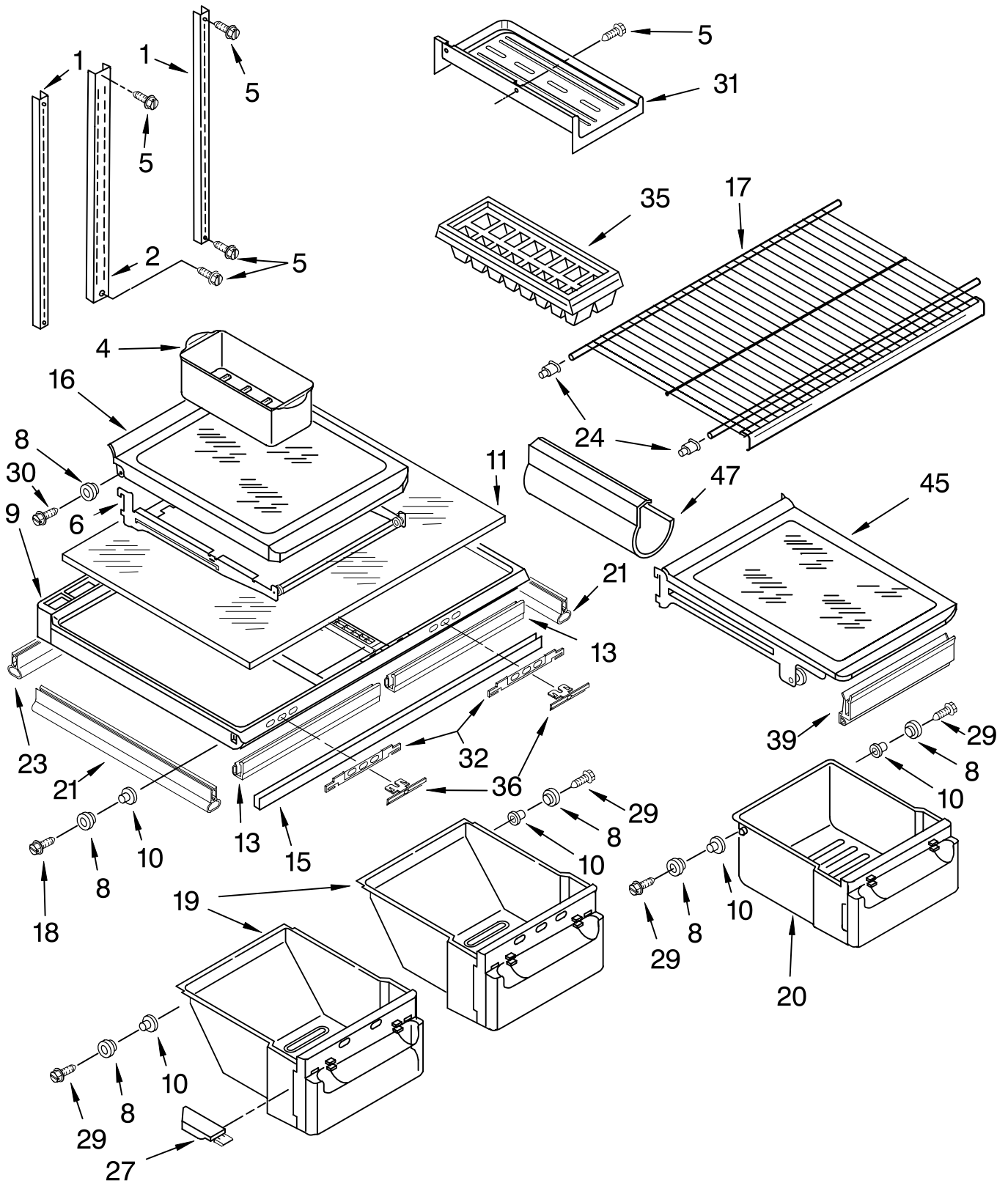
For Models: KTRC22KMWH01, KTRC22KMBT01, KTRC22KMBL01, KTRC22KMSS01
 (White) (Biscuit) (Black) (Stainless Steel)

Illus. No.	Part No.	DESCRIPTION	Illus. No.	Part No.	DESCRIPTION	Illus. No.	Part No.	DESCRIPTION
1		Liner (Not A Serviceable Part)	18	2200831	Weight, Thermal	35	487996	Cap
2	2197380	Grommet (2)	19	1118894	Rocker Arm Switch	36	2205079	Seal, Rear Thermostat
3	2254360	Gasket, Evaporator Cover (2)	20	2187609	Wire Assembly, Freezer Compartment	37	2204991	Control, Freezer
4	2213473	Adaptive Defrost Control	21	2176281	Cover, Air Diffuser	38	2204992	Gear Wheel, Freezer Control
5		Thermostat Tube Barrier	22	2205094	Knob, Thermostat	39	2201153	Housing Base
	549512	Refrigerator Control	23	2254354	Air Tower	41	2187601	Wiring Harness, Freezer Light
	2212485	Freezer Control	24	2189452	Air Diffuser, Bottom	42	2193491	Electrical Shield, Freezer Light
6	2179834	Seal, Air Diffuser	25	2225473	Retainer, Freezer Floor	43	2260802	Light Bulb
7	2187352	Wire Assy. Control Box	26	2204690	Air Diffuser, Top	44	2214976	Bracket Evap. Fan, Rear
8	2162085	Socket, Light (2)	27	2205003	Cover, Hole	45	941839	Hole Plug
9	2212413	Damper, Air (Slide)	28	2184574	Gear Wheel, Thermostat	46	2221677	Defrost, BI-Metal
10	2219689	Fan Motor	29	2218696	Bracket, Fan Motor	47	940014	Hole Plug, Control Box
11	2163777	Fan Blade	30	2214979	Bracket Evap. Fan, Front	48	2166284	Gasket, Rear
12	2213193	Control Box	31	2204639	Shield, Heat	49	2225476	Pullout, Freezer Floor
13	2204984	Thermostat Assembly	32	2204951	Knob, Damper	50	2198768	Rear Fence, Pull-Out Freezer Floor
16	2254262	Cover, Evaporator	33	489478	Screw	58	2210509	Valve
17	2255743	Light Bulb (2)				60	98129	Screw

FOR ORDERING INFORMATION REFER TO PARTS PRICE LIST

SHELF PARTS

For Models: KTRC22KMWH01, KTRC22KMBT01, KTRC22KMBL01, KTRC22KMSS01
(White) (Biscuit) (Black) (Stainless Steel)



FOR ORDERING INFORMATION REFER TO PARTS PRICE LIST

SHELF PARTS

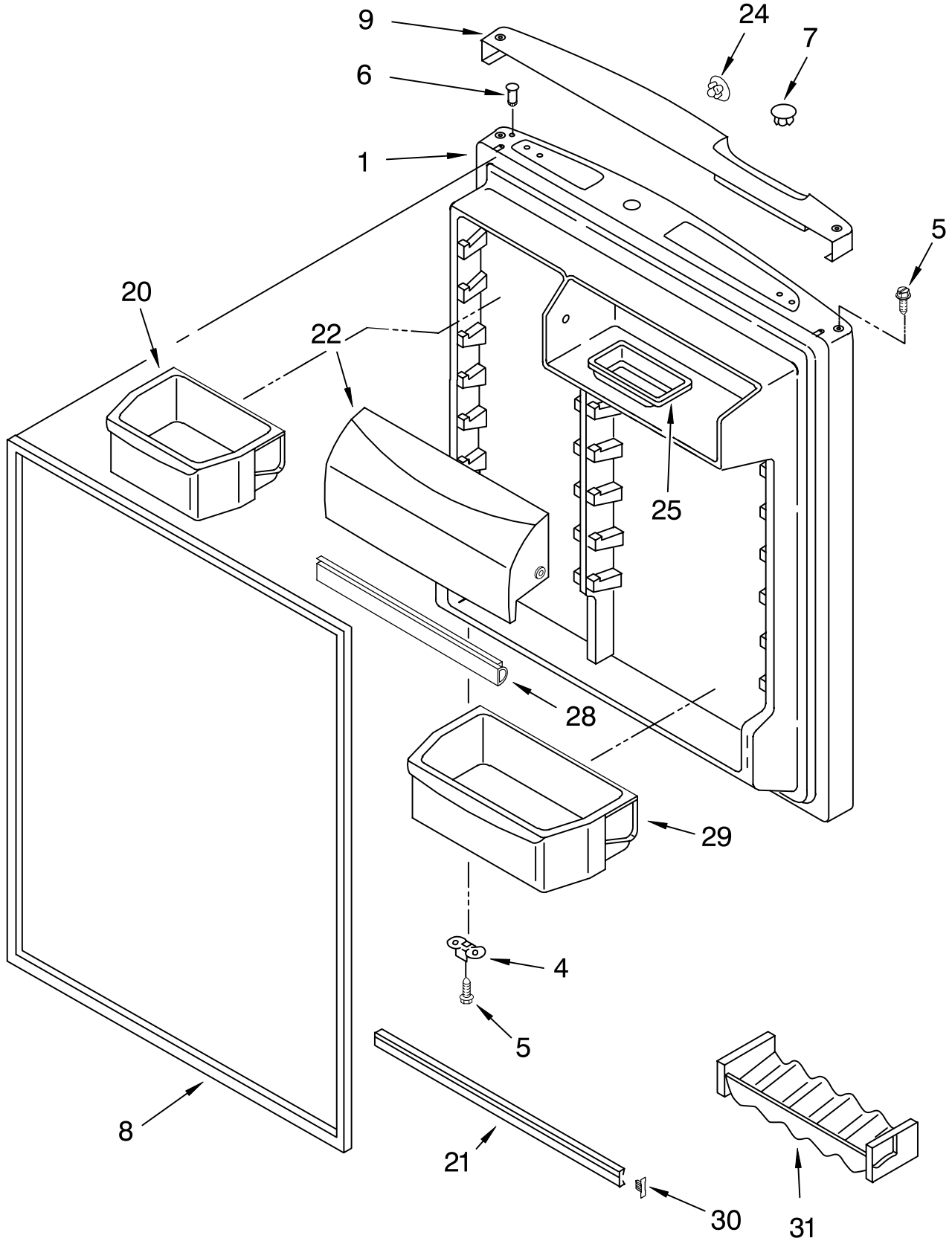
For Models: KTRC22KMWH01, KTRC22KMBT01, KTRC22KMBL01, KTRC22KMSS01
 (White) (Biscuit) (Black) (Stainless Steel)

Illus. No.	Part No.	DESCRIPTION
1	2210522	Shelf, Ladder (2)
2	2202821	Shelf, Ladder Center
4	2216624	Egg Bin
5	489478	Screw
6	2174014	Frame Assembly, Cantilever
8	2188212	Roller & Tread Assembly
9	2210583	Crisper Cover (Includes Items 8,10,13,18,21,23 32 & 36)
10	2174478	Eyelet, Roller
11	2210571	Glass, Crisper Cover
13	2179213	Gasket, Crisper Cover (Front) (2)
15	2163832	Crisper, Support
16	2174012	Shelf Assembly, Spillguard (3) (Includes Items 8 & 30)
17	2184667	Shelf, Freezer
18	489211	Screw
19	2188816	Pan, Crisper (Includes Items 8,10,27 & 29)
20	2188818	Pan, Meat (Includes Items 8,10 & 29)
21	2179214	Gasket, Crisper Cover (Side) (4)
23	2179216	Gasket, Crisper Cover (Rear) (2)
24	2163762	Cup, Shelf Mtg.
27	2174258	Cap, Crisper Left Side
	2174259	Right Side
29	489261	Screw
30	489439	Screw
31	2212770	Shelf, Ice Tray
32	2174257	Slide, Humidity
35	841180	Ice Tray (2)
36	2174253	Button, Humidity Control
39	2174396	Gasket, Front
45	2190504	Shelf Assembly, Spillguard
47	2179404K	Wine & Egg Rack

FOR ORDERING INFORMATION REFER TO PARTS PRICE LIST

REFRIGERATOR DOOR PARTS

For Models: KTRC22KMWH01, KTRC22KMBT01, KTRC22KMBL01, KTRC22KMSS01
(White) (Biscuit) (Black) (Stainless Steel)



FOR ORDERING INFORMATION REFER TO PARTS PRICE LIST

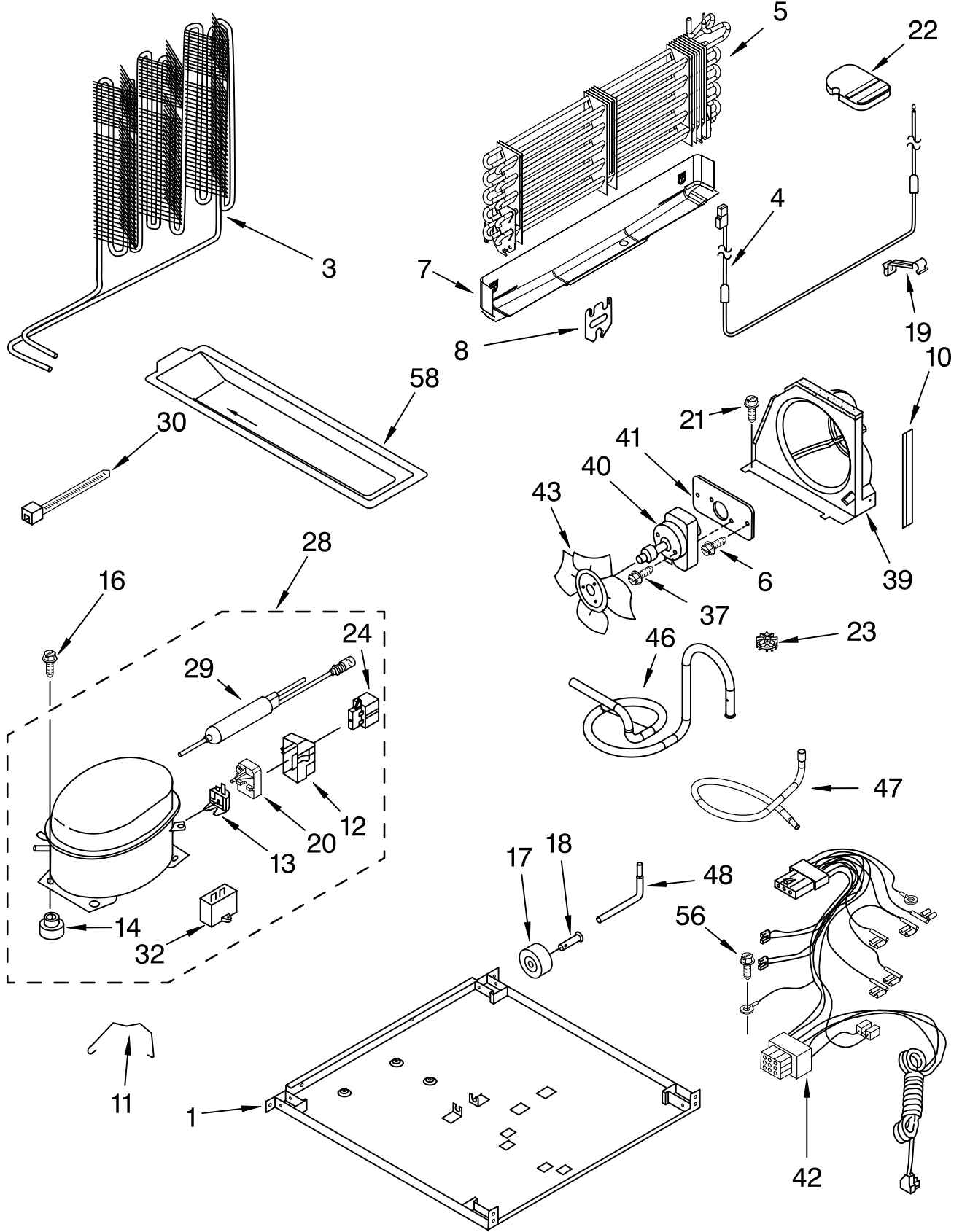
REFRIGERATOR DOOR PARTS

For Models: KTRC22KMWH01, KTRC22KMBT01, KTRC22KMBL01, KTRC22KMSS01
 (White) (Biscuit) (Black) (Stainless Steel)

Illus. No.	Part No.	DESCRIPTION
1		Refrigerator Door (Includes #6 & #8)
	2205214	White
	2205215	Biscuit
	2205217	Black
	2212418	Stainless Steel
4	2189202	Bracket, Door Stop
5	489276	Screw
6	2183003	Thimble
7		Hole Plug
	2212648	White
	2212649	Biscuit
	2212651	Black
8		Door Gasket, Magnetic
	2202875	Mist Beige
	2202882	Black
9		Endcap
	2213333	White
	2213334	Biscuit
	2221628	Black
20	2171064	Bin, Door Shelf (2)
21	2195948	Shelf, Trim
22	2218122	Door Compartment
24		Hole Plug, Handle
	2204837	White
	2204838	Biscuit
	2204840	Black
25	2165792	Butter Dish
28	2159124	Gasket, Door Compartment
29	2171062	Bin, Door Shelf (1)
30	2156006	Plug, Trim
31	2193409	Beverage Holder

UNIT PARTS

For Models: KTRC22KMWH01, KTRC22KMBT01, KTRC22KMBL01, KTRC22KMSS01
 (White) (Biscuit) (Black) (Stainless Steel)



FOR ORDERING INFORMATION REFER TO PARTS PRICE LIST

UNIT PARTS

For Models: KTRC22KMWH01, KTRC22KMBT01, KTRC22KMBL01, KTRC22KMSS01
 (White) (Biscuit) (Black) (Stainless Steel)

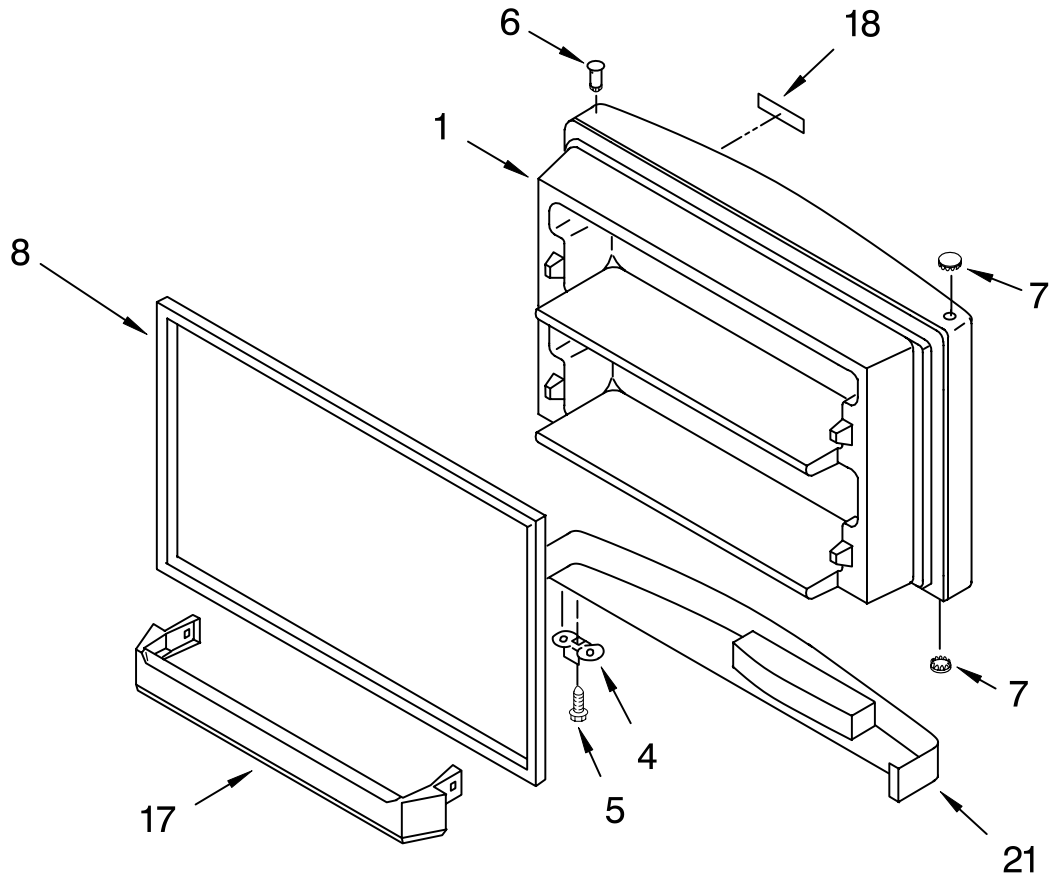
Illus. No.	Part No.	DESCRIPTION	Illus. No.	Part No.	DESCRIPTION	Illus. No.	Part No.	DESCRIPTION
1	2225596	Plate, Unit Mounting	21	3400518	Screw	56	488500	Screw
3	2214960	Condenser	22	2201185	Support	58	2225517	Evaporator Tray
4	2166124	Heater, Defrost	23	531933	Grommet	Following Parts Not Illustrated and Optional Parts Not Included		
5	2254249	Evaporator Assy.	24	2183454	Relay			
6	489494	Screw	28	2218994	Compressor (Includes Items 12,13,14,24 29 & 32)	978025 Valve, Access (1/4")		
7	2254295	Drain Pan	29		Drier			
8	2176301	Bracket, Heater		2199167	Production	978026 Valve, Access (5/16")		
10	2163780	Extension, Air Baffle		4387019	Service			
11	2255113	Strap	30	2155774	Clamp	978027 Valve, Access (3/8")		
12	4387731	Cover (Service Only)	32		Capacitor			
13	4390624	Overload (Service Only)		2169373	Production	978028 Valve, Access (1/2")		
14		Grommet (4)		1118576	Service			
	1100826	Production	37	8281197	Screw	978029 Valve, Access (5/8")		
	4387558	Service	39	2198921	Air Baffle			
16	489373	Screw	40	2188729	Motor, Condenser	978030 Valve, Access (3/4")		
17	2150304	Roller (2)	41	2301979	Plate			
18	2221797	Rivet	42	2187382	Wire Assembly Unit	876764 Valve, Access (3/16")		
19	2182338	Clip, Heater	43	2225834	Fan Blade			
20	2225929	Start-Device Combination (Start Relay and Overload for Production Compressor Only)	46	2205384	Tube, Discharge	REFRIGERANT CHARGE		
			47	2225237	Tube, Suction			
			48	2154109	Tube, Process			



FOR ORDERING INFORMATION REFER TO PARTS PRICE LIST

FREEZER DOOR PARTS

For Models: KTRC22KMWH01, KTRC22KMBT01, KTRC22KMBL01, KTRC22KMSS01
 (White) (Biscuit) (Black) (Stainless Steel)



Illus. No.	Part No.	DESCRIPTION	Illus. No.	Part No.	DESCRIPTION	Illus. No.	Part No.	DESCRIPTION
1		Freezer Door (Includes #6 & #8)	6	2183003	Thimble	17	2159292	Trim, Door
	2202520	White	7		Hole Plug	18		Nameplate
	2204854	Biscuit		2212648	White		2212760	White
	2204856	Black		2212649	Biscuit		2212761	Biscuit
	2212419	Stainless Steel		2212651	Black		2212762	Black
4	2189202	Bracket, Door Stop	8		Door Gasket, Magnetic	21		Endcap
5	489276	Screw		2214967	Mist Beige		2213328	White
				2214969	Black		2213329	Biscuit
							2221624	Black

FOR ORDERING INFORMATION REFER TO PARTS PRICE LIST

