

FOR ORDERING INFORMATION REFER TO PARTS PRICE LIST

# CABINET PARTS

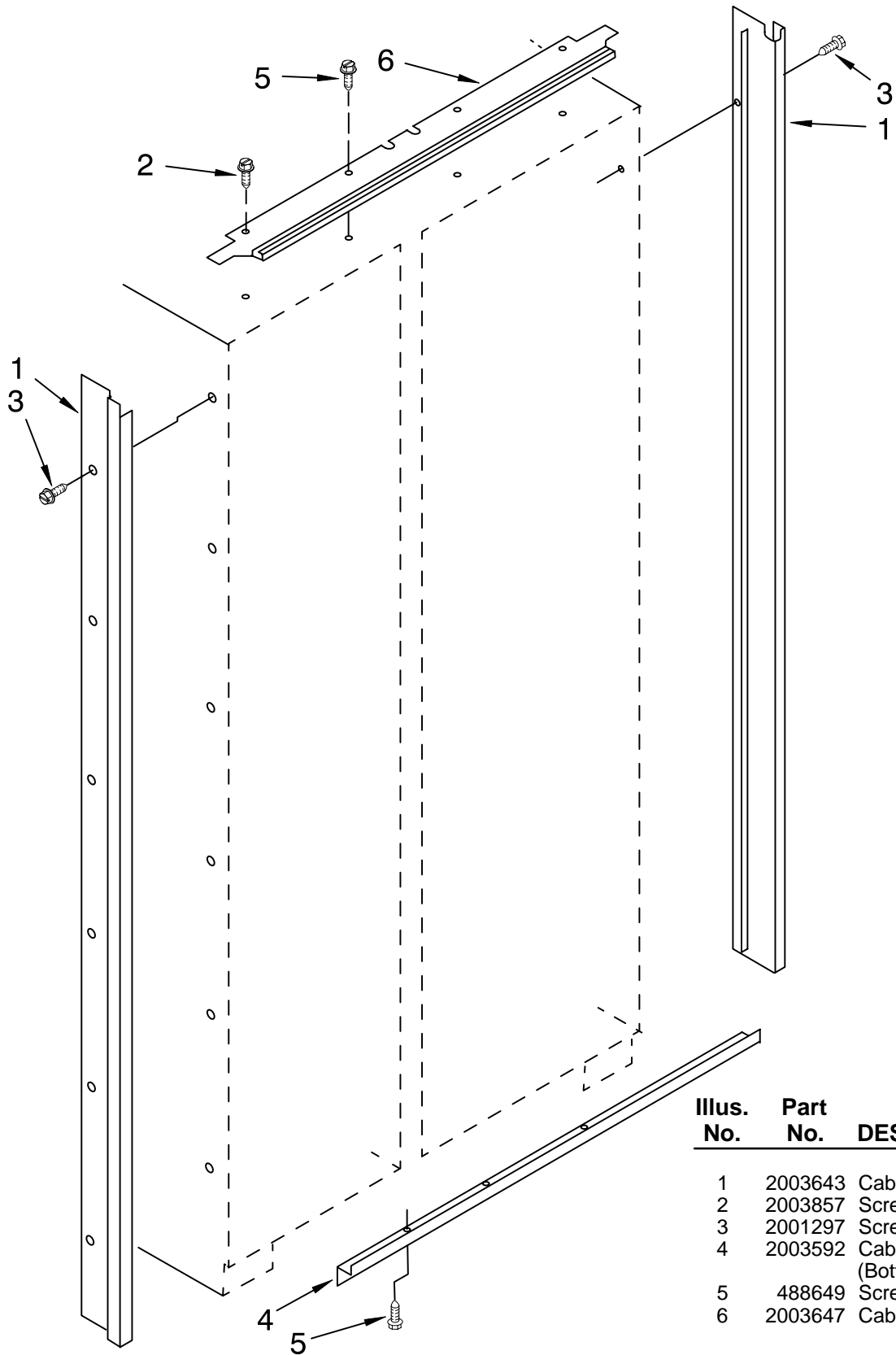
For Model: KSSS48MDX04

| Illus.<br>No. | Part<br>No. | DESCRIPTION                      | Illus.<br>No. | Part<br>No. | DESCRIPTION                  | Illus.<br>No. | Part<br>No. | DESCRIPTION        |
|---------------|-------------|----------------------------------|---------------|-------------|------------------------------|---------------|-------------|--------------------|
| 1             |             | Cabinet (Not A Serviceable Part) | 17            | 2001295     | Shoulder Screw               | 29            |             | Hinge (Bottom)     |
| 2             | 1112019     | Leveler, Front (2)               | 18            |             | Hinge (Top)                  |               | 2001978     | Left Side          |
| 4             | 1112023     | Roller, Front & Rear (4)         |               | 2001976     | Left Side                    |               | 2001977     | Right Side         |
| 5             | 1112695     | Leveler, Adjustable (2)          |               | 2001975     | Right Side                   | 30            | 1112942     | Shim, Hinge (1)    |
| 6             | 2000670     | Adjusting Rod (2)                | 19            | 2000770     | Shim, Hinge Top              |               | 1112943     | Shim, Hinge (2)    |
| 7             | 1113250     | Sleeve, Retainer (2)             | 20            | 1112805     | Guard, Wiring                | 31            | 2000490     | Screw              |
| 8             | 1112937     | Bushing, Rod (2)                 | 21            | 487534      | Screw (2)                    | 33            | 2001266     | Tube clamp         |
| 9             | 489359      | Screw                            | 22            | 2002903     | Bushing                      | 34            | 2001964     | Grille Base, Front |
| 10            | 1112939     | Hole Plug, Leveler               | 23            | 1112992     | Door Closer Assembly (2)     | 35            | 489238      | Screw (6)          |
| 11            | 1112849     | Cap, Grommet                     | 24            | 2000333     | Bracket, Door Closer         | 36            | 2000684     | Cover, Rear        |
| 12            | 2002902     | Stop Screw                       | 25            | 486194      | Screw                        | 37            | 1113123     | Grommet, Wiring    |
| 13            | 1113122     | Grommet, Wiring                  | 26            | 1112973     | Tap Plate, Hinge Butt (2)    | 38            | 1113079     | Grommet, Flexible  |
| 14            | 2003805     | Wiring Harness, Cabinet          | 27            | 1113227     | Fastener (3)                 | 39            | 2003472     | Cup, Wiring        |
|               |             |                                  | 28            |             | Gap, Cover Assembly (Bottom) | 40            | 2003474     | Seal               |
|               |             |                                  |               | 2003386     | Left Side                    | 41            | 2001377     | Screw              |
|               |             |                                  |               | 2003387     | Right Side                   | 42            | 2003473     | Grommet            |
|               |             |                                  |               |             |                              | 43            | 2001415     | Screw (4)          |
|               |             |                                  |               |             |                              | 44            | 489359      | Screw              |

FOR ORDERING INFORMATION REFER TO PARTS PRICE LIST

# CABINET TRIM PARTS

For Model: KSSS48MDX04

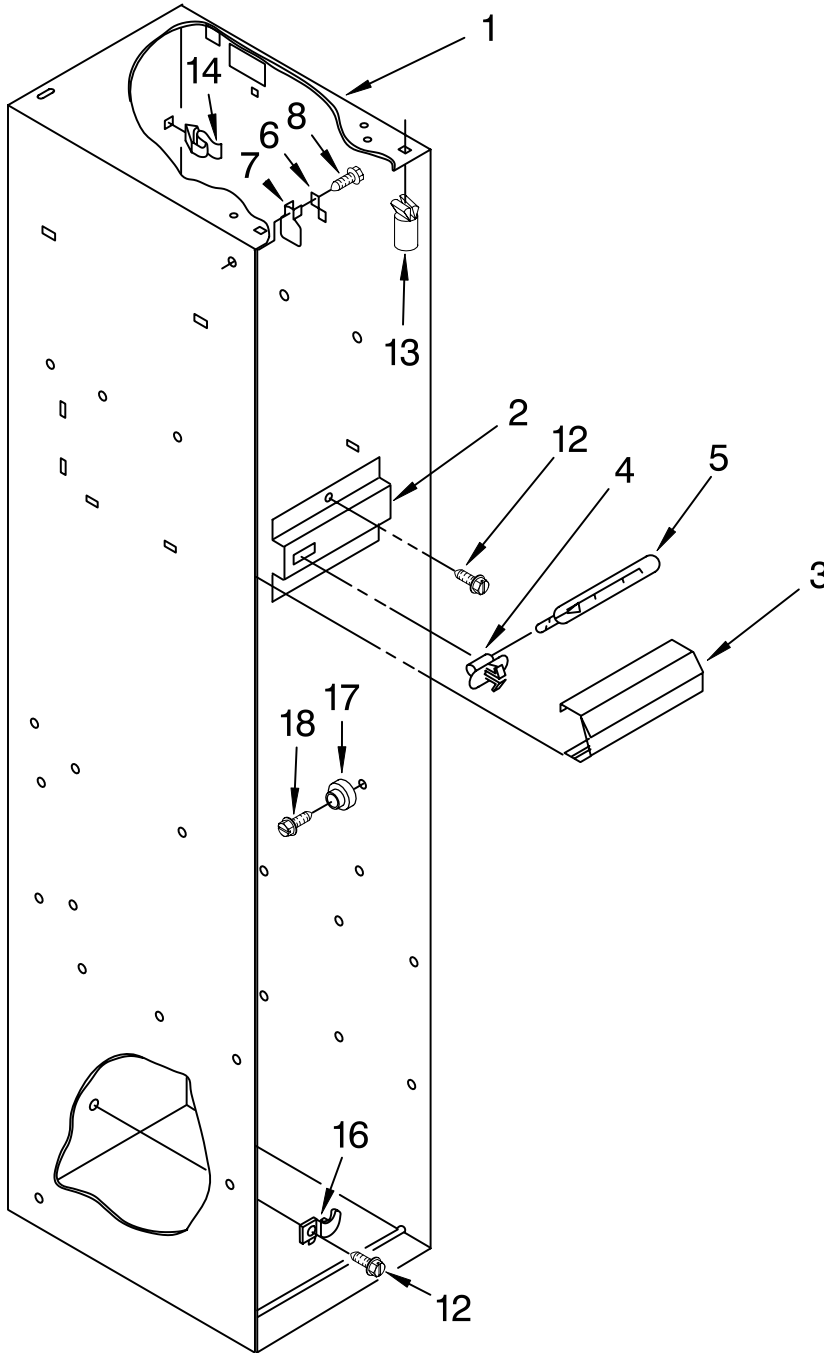


| Illus. No. | Part No. | DESCRIPTION            |
|------------|----------|------------------------|
| 1          | 2003643  | Cabinet, Trim (2)      |
| 2          | 2003857  | Screw                  |
| 3          | 2001297  | Screw                  |
| 4          | 2003592  | Cabinet, Trim (Bottom) |
| 5          | 488649   | Screw                  |
| 6          | 2003647  | Cabinet, Trim Top      |

FOR ORDERING INFORMATION REFER TO PARTS PRICE LIST

# FREEZER LINER PARTS

For Model: KSSS48MDX04

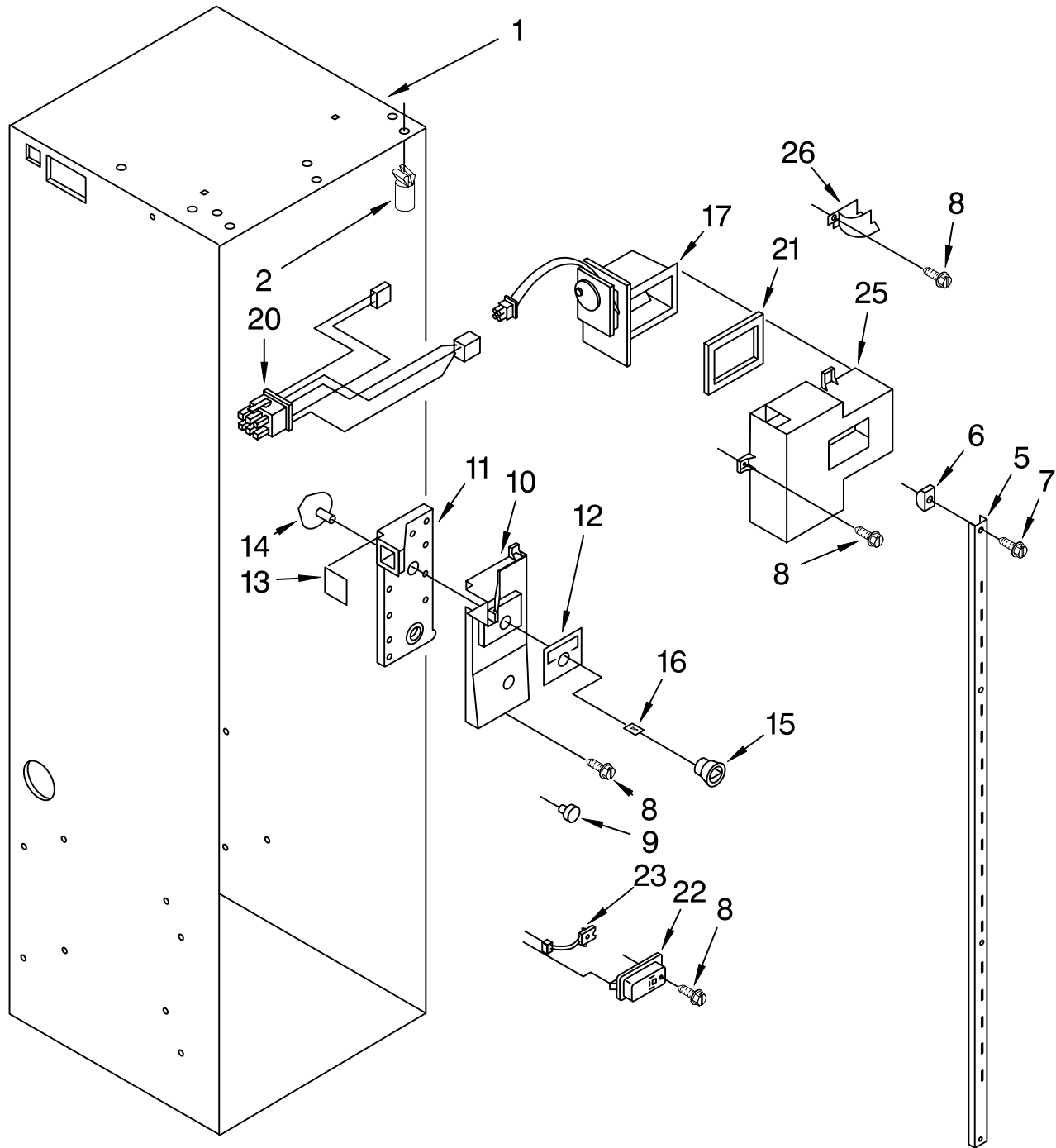


| Illus. No. | Part No. | DESCRIPTION                    |
|------------|----------|--------------------------------|
| 1          |          | Liner (Not A Serviceable Part) |
| 2          | 1113649  | Bracket, Light                 |
| 3          | 1113650  | Lens                           |
| 4          | 1112613  | Light, Socket                  |
| 5          | 548049   | Light, Bulb                    |
| 6          | 538533   | Support Clip, Icemaker (2)     |
| 7          | 2000193  | Grommet, Screw (2)             |
| 8          | 488552   | Screw                          |
| 12         | 486194   | Screw                          |
| 13         | 1112591  | Spacer, Control Panel (3)      |
| 14         | 842534   | Clip, Air Duct (4)             |
| 16         | 1112260  | Support, Evaporator            |
| 17         | 2004068  | Stud, Shelf (20)               |
| 18         | 487559   | Screw                          |

FOR ORDERING INFORMATION REFER TO PARTS PRICE LIST

# REFRIGERATOR LINER PARTS

For Model: KSSS48MDX04



FOR ORDERING INFORMATION REFER TO PARTS PRICE LIST

# REFRIGERATOR LINER PARTS

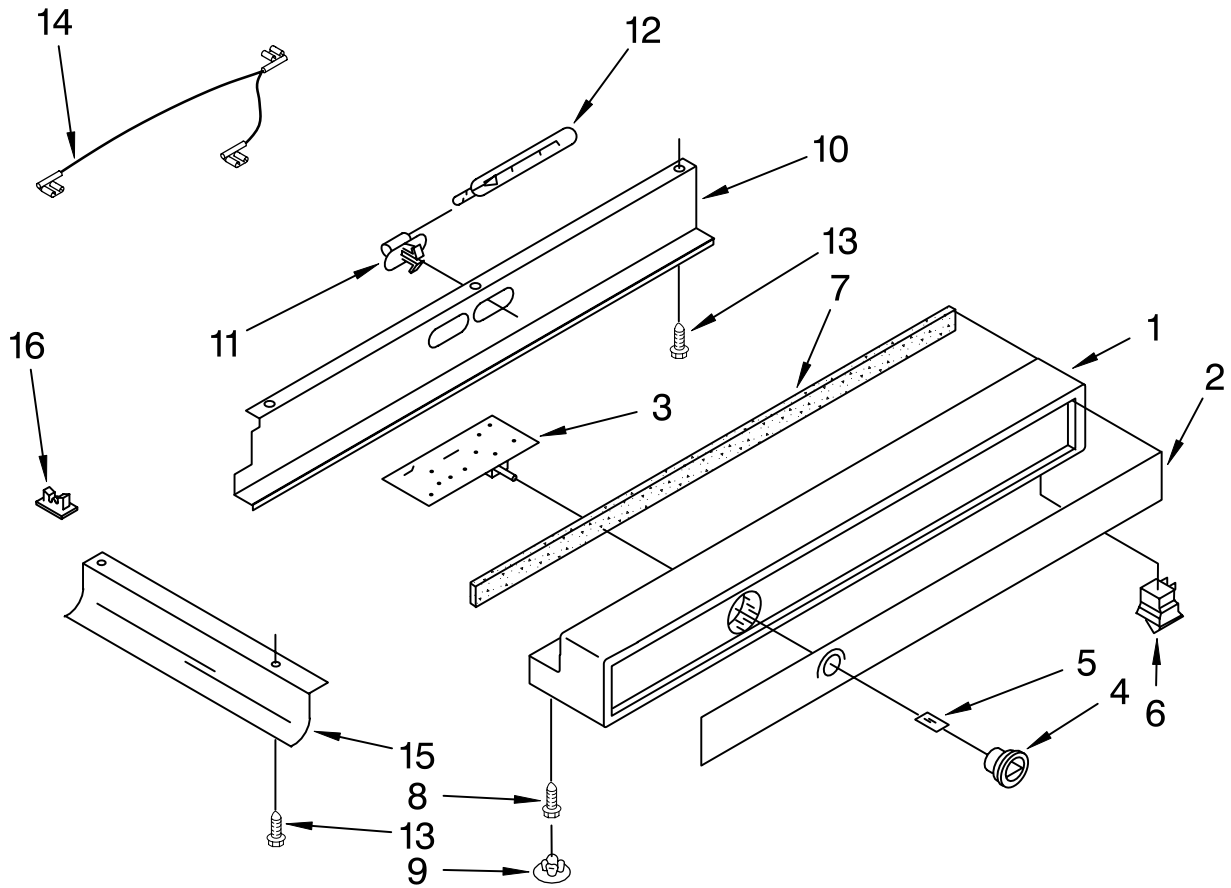
For Model: KSSS48MDX04

| <b>Illus.<br/>No.</b> | <b>Part<br/>No.</b> | <b>DESCRIPTION</b>             |
|-----------------------|---------------------|--------------------------------|
| 1                     |                     | LINER (Not A Serviceable Part) |
| 2                     | 1112591             | Spacer, Control Panel (3)      |
| 5                     | 2001117             | Ladder, Shelf (2)              |
| 6                     | 520965              | Screw Support, Ladder (8)      |
| 7                     | 488357              | Screw                          |
| 8                     | 486194              | Screw                          |
| 9                     | 1112257             | Hole Plug                      |
| 10                    | 2003579             | Meat Pan, Air Duct Cover       |
| 11                    | 2000337             | Meat Pan, Air Duct             |
| 12                    | 2003299             | Inlay, Control Meat Pan        |
| 13                    | 2001326             | Seal, Air Duct                 |
| 14                    | 1112218             | Damper Control, Meat Pan       |
| 15                    | 2003811             | Control Knob, Meat Pan         |
| 16                    | 2003841             | Retainer, Knob                 |
| 17                    | 2000343             | Air Baffle Assembly            |
| 20                    | 2001073             | Wiring Harness, Air Baffle     |
| 21                    | 2001146             | Seal                           |
| 22                    | 1116793             | Cover, Thermistor              |
| 23                    | 1116959             | Thermistor                     |
| 25                    | 2003578             | Air Baffle Cover               |
| 26                    | 2003577             | Guard, Air Return              |

FOR ORDERING INFORMATION REFER TO PARTS PRICE LIST

# REFRIGERATOR CONTROL PANEL PARTS

For Model: KSSS48MDX04

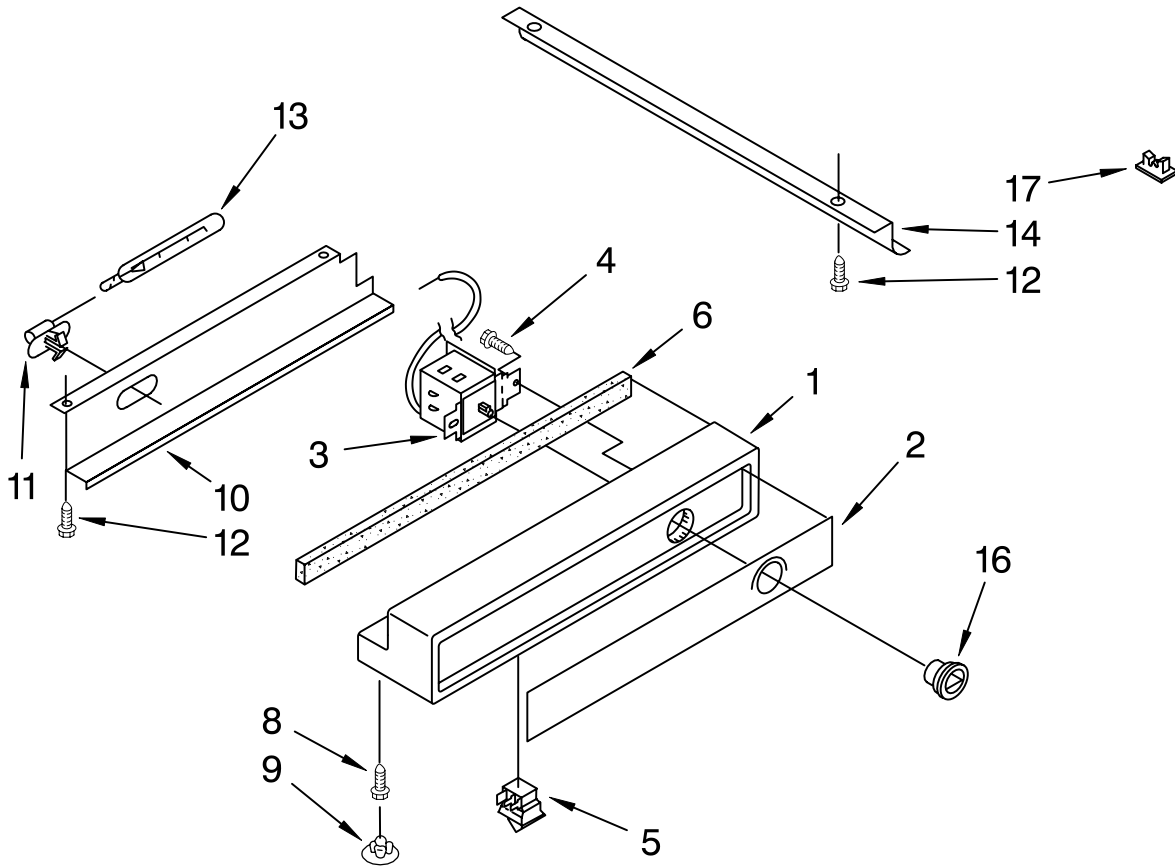


| Illus. No. | Part No. | DESCRIPTION           |
|------------|----------|-----------------------|
| 1          | 1112642  | Control Panel         |
| 2          | 2003303  | Inlay, Control Panel  |
| 3          | 2004005  | Circuit Board         |
| 4          | 2003842  | Control Knob          |
| 5          | 2003841  | Retainer, Knob        |
| 6          | 1118894  | Switch, Rocker Arm    |
| 7          | 1113137  | Seal, Control Panel   |
| 8          | 489260   | Screw (3)             |
| 9          | 2000153  | Hole Plug (3)         |
| 10         | 1113775  | Shield, Control Panel |
| 11         | 1112613  | Socket, Light (2)     |
| 12         | 548049   | Light Bulb (2)        |
| 13         | 486194   | Screw                 |
| 14         | 2003758  | Wire, Light           |
| 15         | 2001141  | Channel, Wiring       |
| 16         | 1115375  | Clip, Wiring (2)      |

FOR ORDERING INFORMATION REFER TO PARTS PRICE LIST

# FREEZER CONTROL PANEL PARTS

For Model: KSSS48MDX04



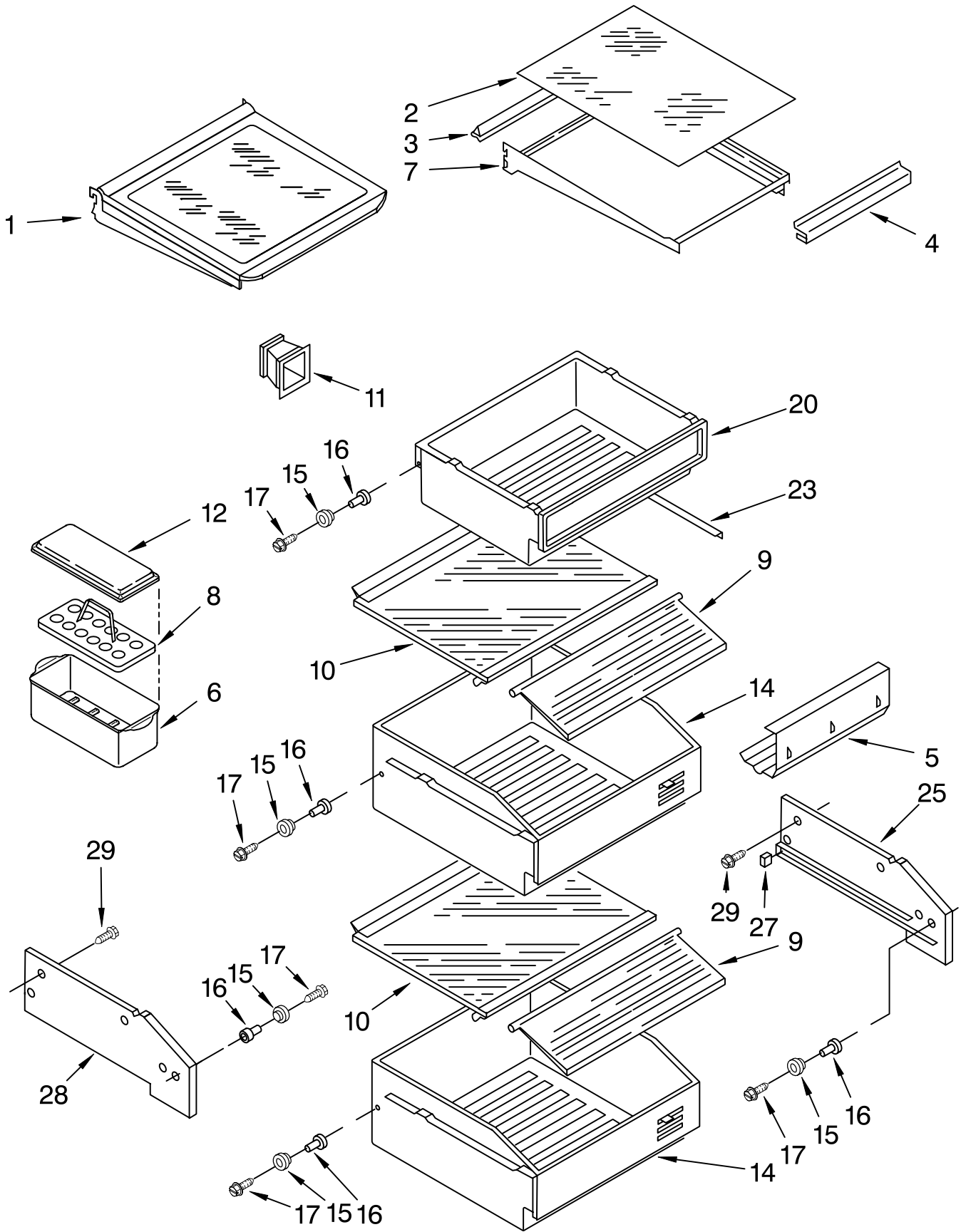
| Illus. No. | Part No. | DESCRIPTION                   |
|------------|----------|-------------------------------|
| 1          | 1113627  | Control Panel                 |
| 2          | 2003309  | Inlay, Control Panel          |
| 3          | 1113466  | Thermostat & Barrier Assembly |
| 4          | 488974   | Screw (2)                     |
| 5          | 1115373  | Switch, Rocker Arm            |
| 6          | 1113136  | Seal, Control Panel           |
| 8          | 489260   | Screw (3)                     |
| 9          | 2000153  | Hole Plug (3)                 |
| 10         | 1113769  | Shield, Control Panel         |
| 11         | 1112613  | Socket, Light                 |
| 12         | 486194   | Screw                         |
| 13         | 548049   | Light Bulb                    |
| 14         | 2001974  | Channel, Wiring               |
| 16         | 2182112  | Knob, Thermostat              |
| 17         | 1115375  | Clip, Wiring                  |

FOR ORDERING INFORMATION REFER TO PARTS PRICE LIST



# REFRIGERATOR SHELF PARTS

For Model: KSSS48MDX04



FOR ORDERING INFORMATION REFER TO PARTS PRICE LIST

# REFRIGERATOR SHELF PARTS

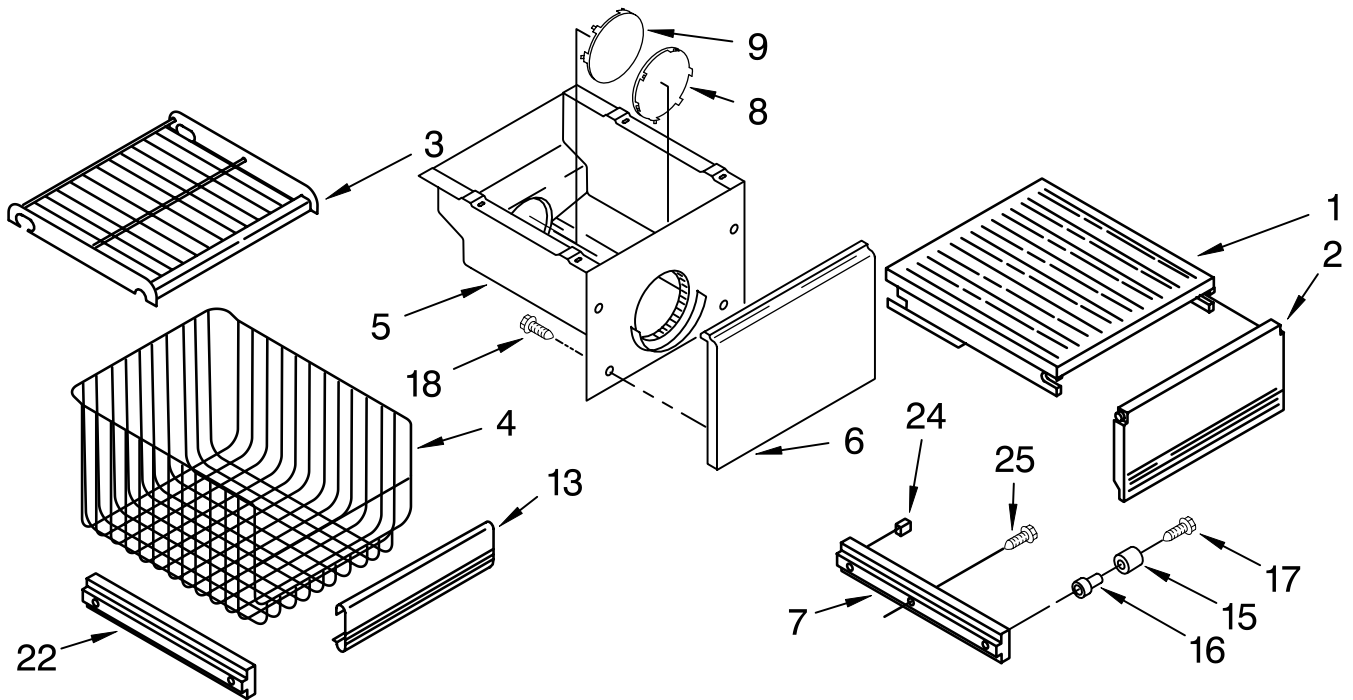
For Model: KSSS48MDX04

| <b>Illus.<br/>No.</b> | <b>Part<br/>No.</b> | <b>DESCRIPTION</b>                |
|-----------------------|---------------------|-----------------------------------|
| 1                     | 2174404             | Frame, Shelf                      |
| 2                     | 2003377             | Glass, Shelf                      |
| 3                     | 1112006             | Reflector, Shelf                  |
| 4                     | 1113792             | Gasket, Glass (2)                 |
| 5                     | 2179375             | Rack, Wine                        |
| 6                     | 2169933             | Egg Bin                           |
| 7                     | 2003327             | Frame, Assembly<br>Meat Pan       |
| 8                     | 2164373             | Egg Carrier                       |
| 9                     | 1112247             | Cover, Crisper                    |
| 10                    | 2003380             | Glass, Crisper<br>(Includes #9)   |
| 11                    | 2000742             | Meat Pan,<br>Connector            |
| 12                    | 2169935             | Cover                             |
| 14                    | 2003317             | Crisper Pan (2)                   |
| 15                    | 2174388             | Roller                            |
| 16                    | 2174478             | Eyelet, Roller                    |
| 17                    | 489211              | Screw                             |
| 20                    | 2003322             | Meat Pan                          |
| 23                    | 2002181             | Retainer, Glass                   |
| 25                    | 2003411             | Crisper Spacer,<br>Right Side (2) |
| 27                    | 1113169             | Stop, Roller                      |
| 28                    | 2003410             | Crisper Spacer,<br>Left Side (2)  |
| 29                    | 486194              | Screw                             |

FOR ORDERING INFORMATION REFER TO PARTS PRICE LIST

# FREEZER SHELF PARTS

For Model: KSSS48MDX04

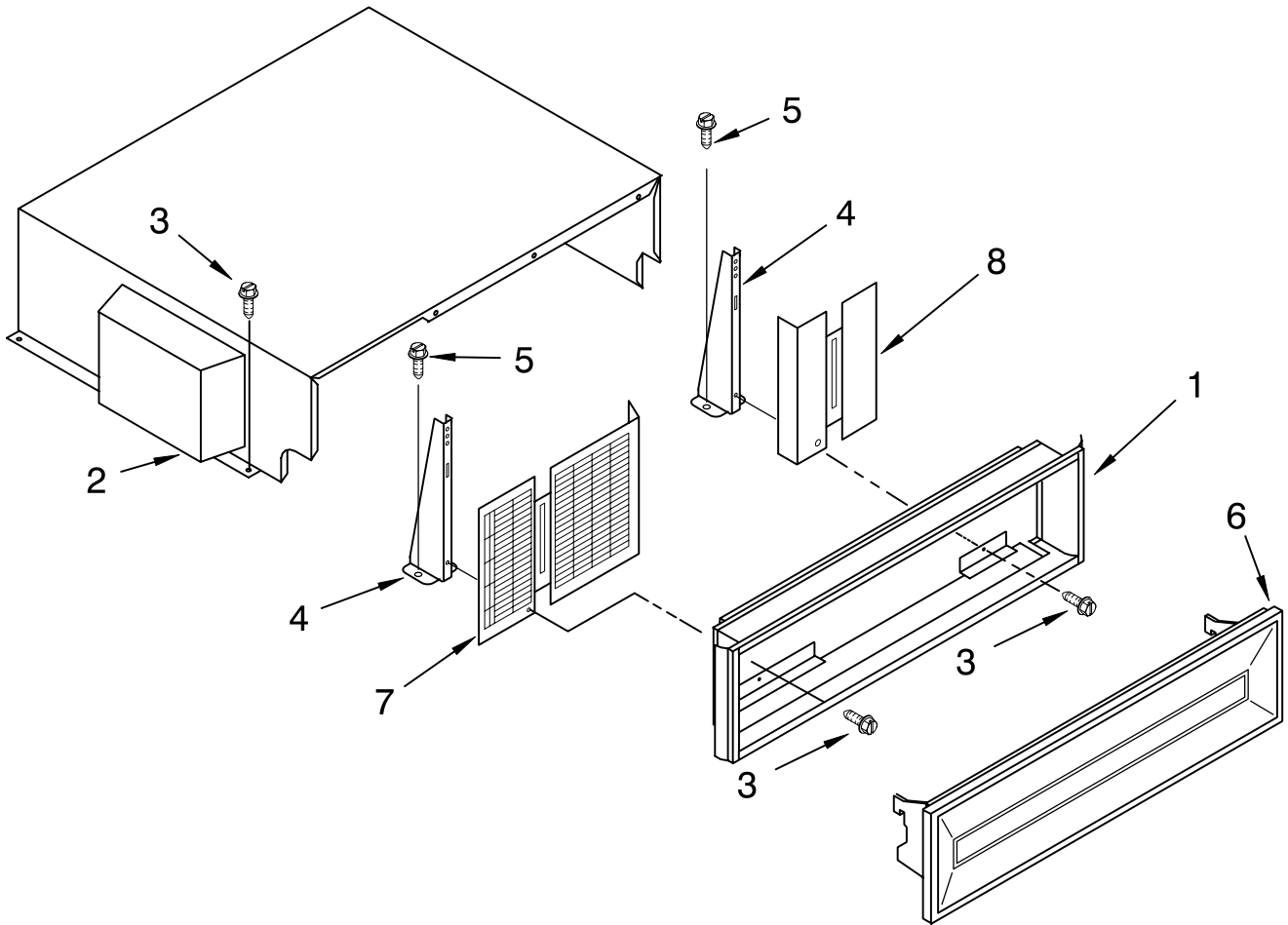


| Illus.<br>No. | Part<br>No. | DESCRIPTION               |
|---------------|-------------|---------------------------|
| 1             | 2003144     | Solid Shelf               |
| 2             | 2003135     | Front, Ice<br>Compartment |
| 3             | 1113638     | Shelf, Fixed (2)          |
|               | 1112052     | Shelf, Fixed-Deep         |
| 4             | 2001626     | Basket (2)                |
| 5             | 2002727     | Ice Container             |
| 6             | 2003045     | Front Cover               |
| 7             |             | Slide, Container          |
|               | 2002720     | Right Side                |
|               | 2002721     | Left Side                 |
| 8             | 2003046     | Hole Plug, Front          |
| 9             | 2003047     | Hole Plug, Rear           |
| 13            | 2003114     | Trim, Basket              |
| 15            | 2174388     | Roller                    |
| 16            | 2174478     | Eyelet, Roller            |
| 17            | 489211      | Screw                     |
| 18            | 488886      | Screw                     |
| 22            |             | Basket Slide              |
|               | 2000061     | Right Side                |
|               | 2000062     | Left Side                 |
| 24            | 1113169     | Stop, Roller              |
| 25            | 486194      | Screw                     |

FOR ORDERING INFORMATION REFER TO PARTS PRICE LIST

# TOP GRILLE AND UNIT COVER PARTS

For Model: KSSS48MDX04

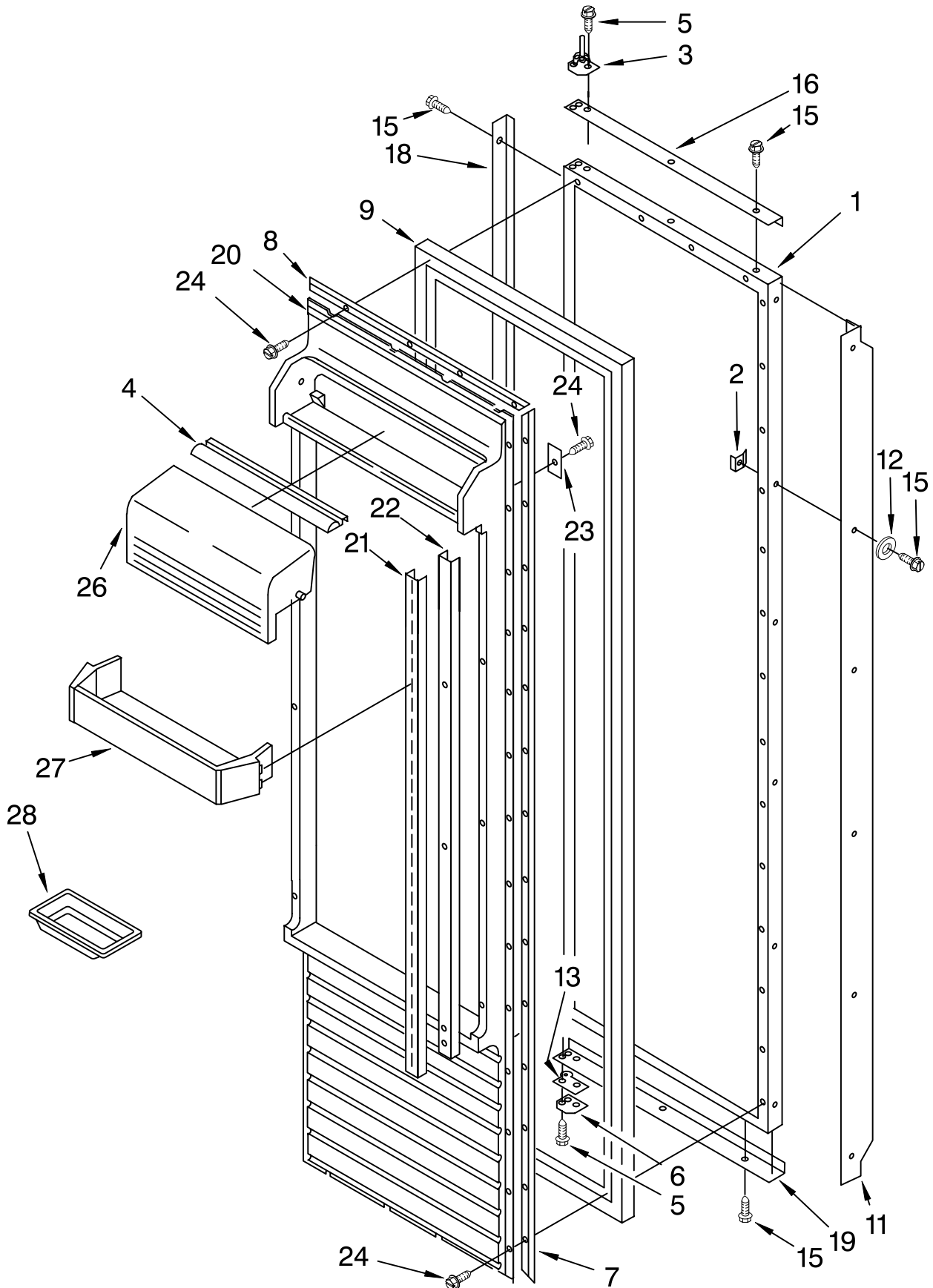


| Illus. No. | Part No. | DESCRIPTION               |
|------------|----------|---------------------------|
| 1          | 2003715  | Top Grille Assembly       |
| 2          | 2003267  | Cover, Unit               |
| 3          | 486194   | Screw                     |
| 4          | 2002484  | Grille, Bracket           |
| 5          | 2001415  | Screw                     |
| 6          | 2003724  | Decorative Panel Assembly |
| 7          | 2003480  | Guard, Compressor Wiring  |
| 8          | 2003483  | Guard, Water Valve Wiring |

FOR ORDERING INFORMATION REFER TO PARTS PRICE LIST

# REFRIGERATOR DOOR PARTS

For Model: KSSS48MDX04



FOR ORDERING INFORMATION REFER TO PARTS PRICE LIST

# REFRIGERATOR DOOR PARTS

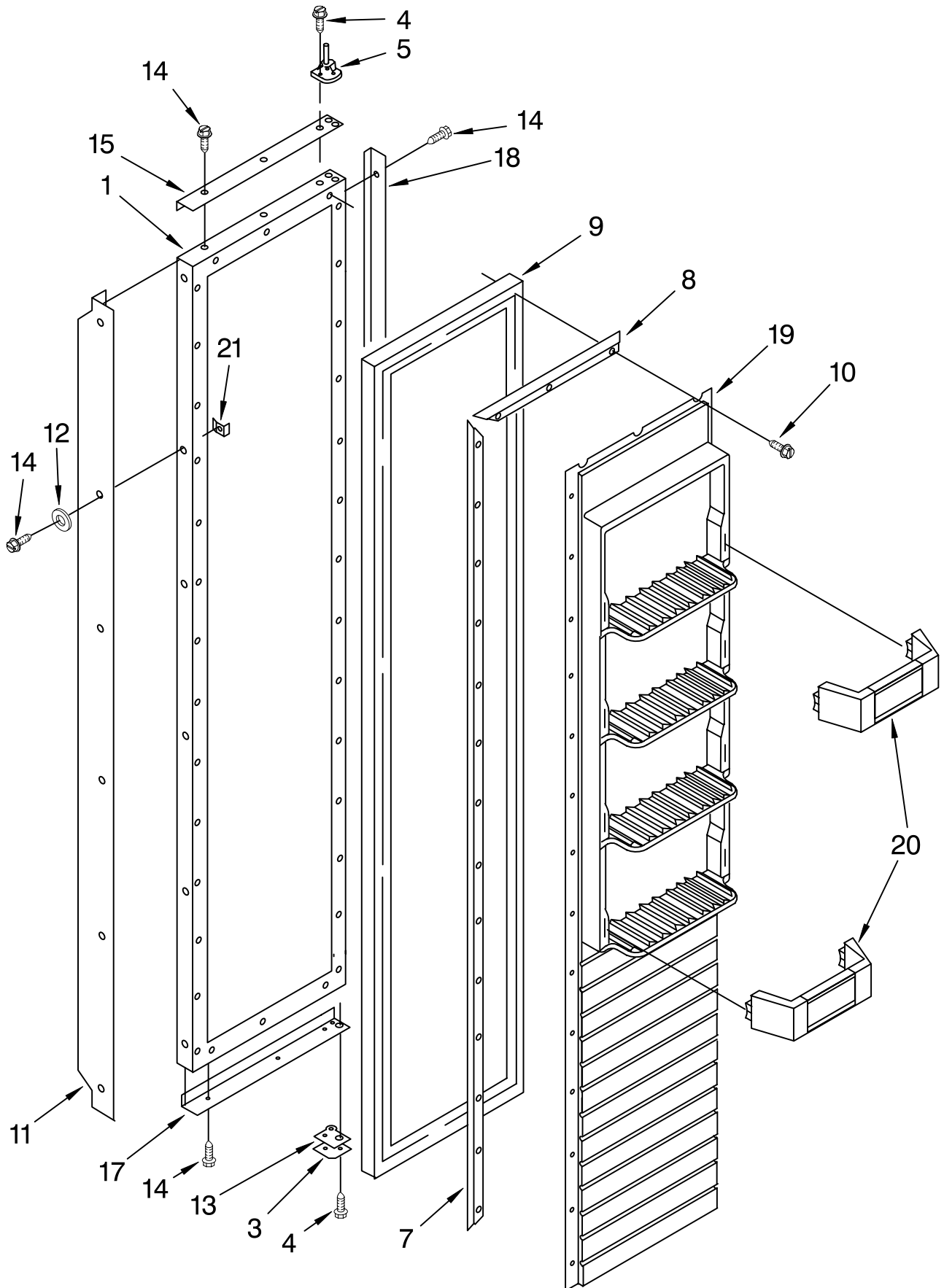
For Model: KSSS48MDX04

| <b>Illus.<br/>No.</b> | <b>Part<br/>No.</b> | <b>DESCRIPTION</b>                                     |
|-----------------------|---------------------|--|
| 1                     | 2003872             | Refrigerator<br>Door Panel<br>(Includes<br>Insulation) |
| 2                     | 939101              | Screw Anchor (8)                                       |
| 3                     | 2001983             | Hinge Assembly,<br>Top                                 |
| 4                     | 1113955             | Gasket   |
| 5                     | 489282              | Screw  |
| 6                     | 2003986             | Hinge Assembly,<br>Bottom                              |
| 7                     | 1112533             | Gasket Retainer,<br>Side (2)                           |
| 8                     | 1112542             | Gasket Retainer,<br>Top & Bottom                       |
| 9                     | 2001049             | Door Gasket,<br>Magnetic                               |
| 11                    | 2003679             | Handle, Door   |
| 12                    | 2001230             | Washer   |
| 13                    | 2003982             | Door, Spacer<br>Bottom                                 |
| 15                    | 487052              | Screw  |
| 16                    | 2003653             | Trim (Top)   |
| 18                    | 2003675             | Trim (Side)  |
| 19                    | 2003665             | Trim (Bottom)  |
| 20                    | 1113950             | Panel, Interior<br>Door                                |
| 21                    | 1113949             | Ladder, Shelf (2)                                      |
| 22                    | 1113948             | Retainer, Shelf<br>Ladder (2)                          |
| 23                    | 1112514             | Back Up Plate (6)                                      |
| 24                    | 486194              | Screw  |
| 26                    | 2003465             | Door, Utility Bin                                      |
| 27                    | 2003132             | Door Shelf (4)   |
| 28                    | 1125936             | Butter Tray  |

FOR ORDERING INFORMATION REFER TO PARTS PRICE LIST

# FREEZER DOOR PARTS

For Model: KSSS48MDX04



FOR ORDERING INFORMATION REFER TO PARTS PRICE LIST

# FREEZER DOOR PARTS

For Model: KSSS48MDX04

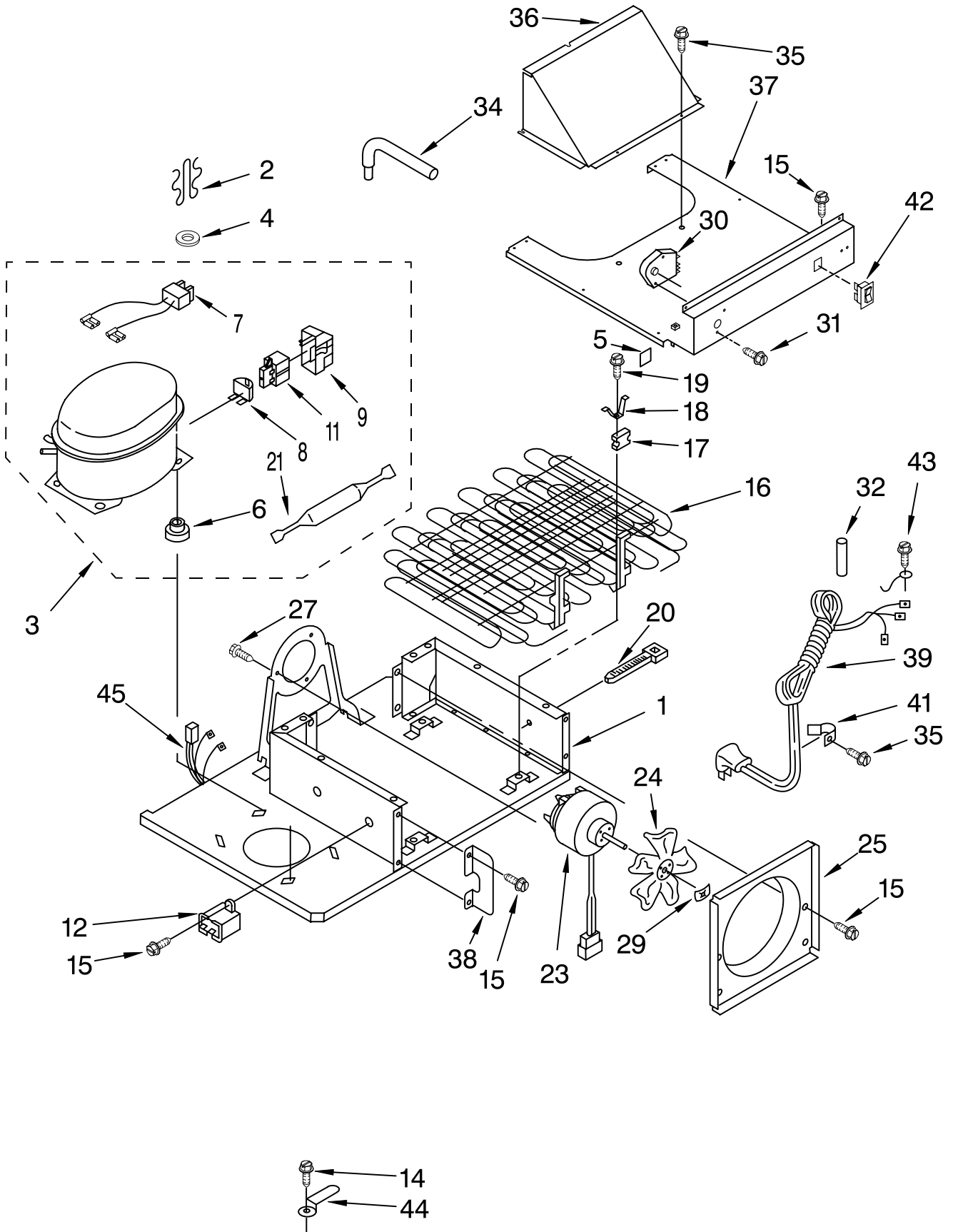
| <b>Illus.<br/>No.</b> | <b>Part<br/>No.</b> | <b>DESCRIPTION</b>                             |
|-----------------------|---------------------|--|
| 1                     | 2003878             | Freezer Door<br>Panel (Includes<br>Insulation) |
| 3                     | 2003985             | Hinge, Bottom                                  |
| 4                     | 489282              | Screw  |
| 5                     | 2001984             | Hinge, Top                                     |
| 7                     | 1112533             | Gasket Retainer,<br>Side (2)                   |
| 8                     | 1112539             | Gasket Retainer,<br>Top & Bottom               |
| 9                     | 2000878             | Door Gasket,<br>Magnetic                       |
| 10                    | 486194              | Screw (36)                                     |
| 11                    | 2003681             | Handle, Door                                   |
| 12                    | 2001230             | Washer   |
| 13                    | 2003982             | Door, Spacer                                   |
| 14                    | 487052              | Screw  |
| 15                    | 2003659             | Trim (Top)                                     |
| 17                    | 2003671             | Trim (Bottom)                                  |
| 18                    | 2003677             | Trim (Side)                                    |
| 19                    | 2000179             | Interior Door<br>Panel                         |
| 20                    | 2003129             | Shelf Bin (4)                                  |
| 21                    | 939101              | Screw Anchor                                   |

FOR ORDERING INFORMATION REFER TO PARTS PRICE LIST



# UPPER UNIT PARTS

For Model: KSSS48MDX04



FOR ORDERING INFORMATION REFER TO PARTS PRICE LIST

# UPPER UNIT PARTS

For Model: KSSS48MDX04

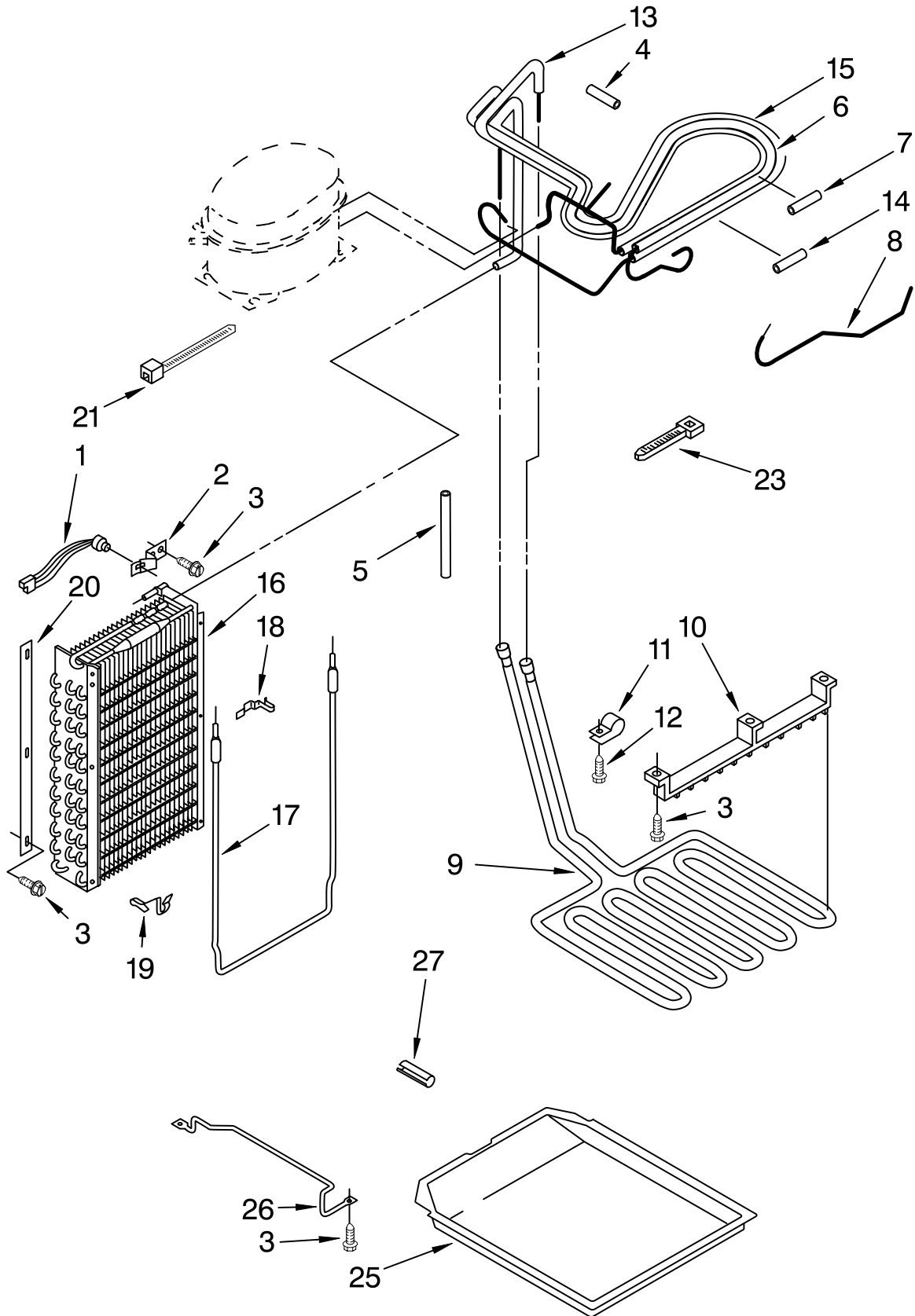
| Illus. No. | Part No. | DESCRIPTION   | Illus. No. | Part No. | DESCRIPTION                      | Illus. No.  | Part No. | DESCRIPTION |
|------------|----------|---|------------|----------|----------------------------------|---|----------|-------------|
| 1          | 2003398  | Assembly, Unit Base   | 19         | 487522   | Screw                            | <hr/> Following Parts Not Illustrated and Optional Parts Not Included <hr/> 978025 Valve, Access (1/4")<br>978026 Valve, Access (5/16")<br>978027 Valve, Access (3/8")<br>978028 Valve, Access (1/2")<br>978029 Valve, Access (5/8")<br>978030 Valve, Access (3/4")<br>876764 Valve, Access (3/16") <hr/> <b>REFRIGERANT CHARGE</b> <hr/> 7.5 oz.<br>(R-134A) |          |             |
| 2          | 2163787  | Clip, Compressor Mounting (4)   | 20         | 851095   | Wire Tie (2)                     |   |          |             |
| 3          | 2183420  | Compressor (Includes Items 7, 8, 9, 11, 12 & 21) (Also Order 876765 Tube Kit) | 21         | 2164492  | Drier                            |   |          |             |
| 4          | 680975   | Washer  | 23         | 2169135  | Motor, Fan                       |   |          |             |
| 5          | 2003389  | Bushing, Foam   | 24         | 1108179  | Blade, Fan                       |   |          |             |
| 6          | 2163786  | Grommet, Mounting   | 25         | 2003169  | Orifice, Fan                     |   |          |             |
| 7          | 1127675  | Wire Assembly   | 27         | 489099   | Screw (3)                        |   |          |             |
| 8          | 2176858  | Overload (Includes Relay)   | 29         | 486692   | Speed Nut                        |   |          |             |
| 9          | 2162358  | Terminal Cover  | 30         | 2162044  | Defrost Timer                    |   |          |             |
| 11         |          | Relay (See Overload)  | 31         | 488911   | Screw                            |   |          |             |
| 12         | 2169137  | Capacitor   | 32         | 2000645  | Sleeve, Condenser                |   |          |             |
| 14         | 486899   | Screw   | 34         | 2003011  | Process, Tube                    |   |          |             |
| 15         | 487869   | Screw   | 35         | 486194   | Screw                            |   |          |             |
| 16         | 2003392  | Condenser   | 36         | 2003174  | Cover, Fan                       |   |          |             |
| 17         | 943447   | Grommet (4)   | 37         | 2003355  | Cover, Condenser                 |   |          |             |
| 18         | 1113019  | Clamp (4)   | 38         | 2003263  | Air Vane                         |   |          |             |
|            |          |   | 39         | 2003381  | Service Cord                     |   |          |             |
|            |          |   | 41         | 1113162  | Clamp, Cord (2)                  |   |          |             |
|            |          |   | 42         | 1113229  | Switch, Power Disconnect         |   |          |             |
|            |          |   | 43         | 488879   | Screw, Ground                    |   |          |             |
|            |          |   | 44         | 653035   | Clip, Cord Plug                  |   |          |             |
|            |          |   | 45         | 2003356  | Wiring Harness, Unit Compartment |   |          |             |



FOR ORDERING INFORMATION REFER TO PARTS PRICE LIST

# LOWER UNIT AND TUBE PARTS

For Model: KSSS48MDX04



FOR ORDERING INFORMATION REFER TO PARTS PRICE LIST

# LOWER UNIT AND TUBE PARTS

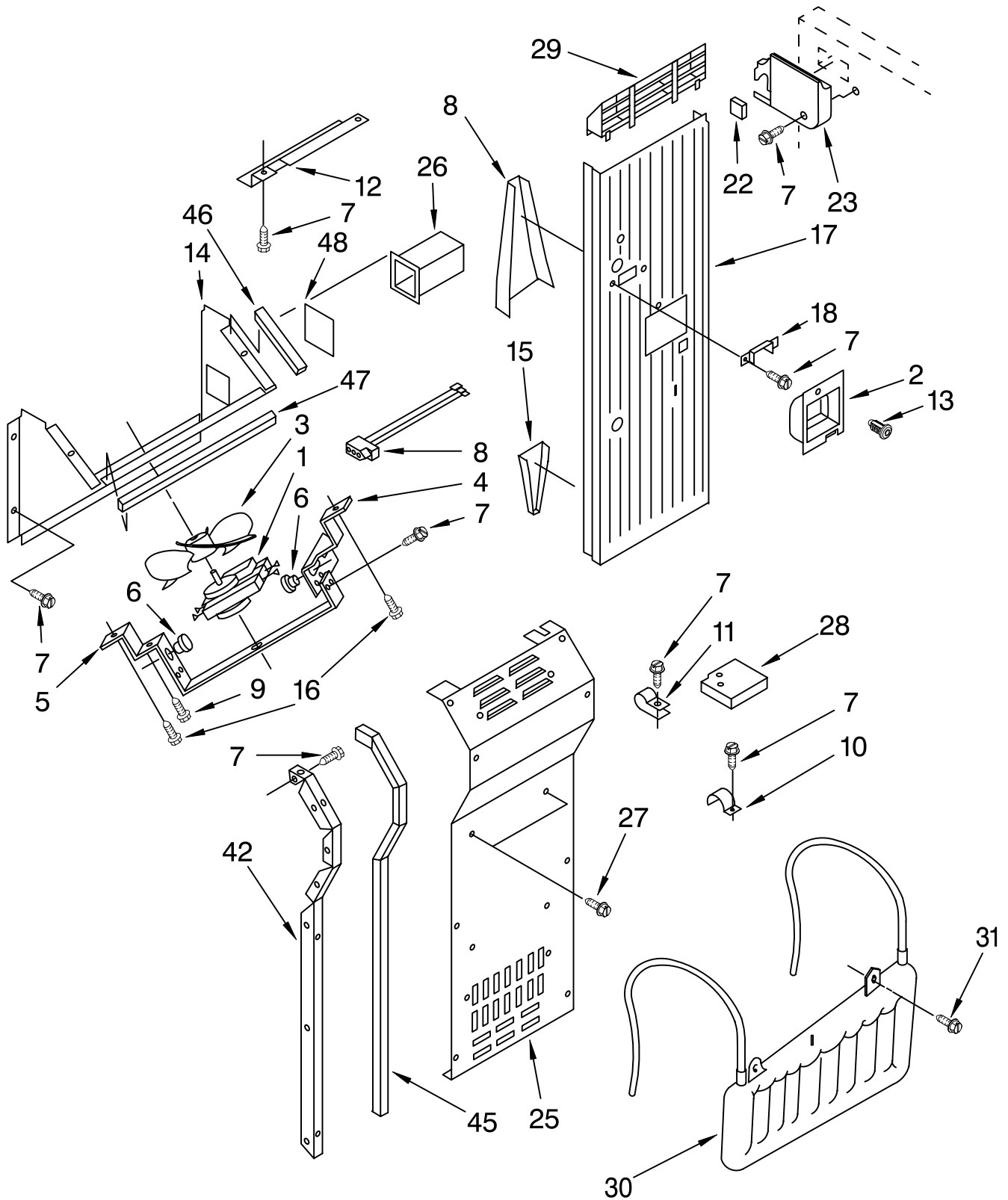
For Model: KSSS48MDX04

| <b>Illus.<br/>No.</b> | <b>Part<br/>No.</b> | <b>DESCRIPTION</b>       |
|-----------------------|---------------------|--------------------------|
| 1                     | 2000528             | Defrost Bi-Metal         |
| 2                     | 1113043             | Clamp, Bi-Metal          |
| 3                     | 486194              | Screw                    |
| 4                     | 2003271             | Sleeve                   |
| 5                     | 2002171             | Sleeve                   |
| 6                     | 2002999             | Condenser<br>Inlet Tube  |
| 7                     | 2003484             | Sleeve                   |
| 8                     | 2003015             | Tube, Connect<br>(Drier) |
| 9                     | 2002994             | Heater, Drain Pan        |
| 10                    | 1113062             | Hanger, Heater           |
| 11                    | 1113105             | Bracket, Heater          |
| 12                    | 487534              | Screw                    |
| 13                    | 2002995             | Tube, Discharge          |
| 14                    | 2003272             | Sleeve                   |
| 15                    | 2003003             | Heat Exchanger           |
| 16                    | 2002966             | Evaporator               |
| 17                    | 2001608             | Heater, Defrost          |
| 18                    | 1113048             | Clamp, Heater (2)        |
| 19                    | 1108431             | Clamp, Heater (2)        |
| 20                    | 1112844             | Gasket, Evaporator       |
| 21                    | 857547              | Wire Tie                 |
| 23                    | 851095              | Strap                    |
| 25                    | 2001264             | Drain Pan                |
| 26                    |                     | Bracket, Drain Pan       |
|                       | 1113206             | Left                     |
|                       | 1113207             | Right                    |
| 27                    | 513942              | Dampener                 |

FOR ORDERING INFORMATION REFER TO PARTS PRICE LIST

# AIR FLOW AND RESERVOIR PARTS

For Model: KSSS48MDX04



FOR ORDERING INFORMATION REFER TO PARTS PRICE LIST

# AIR FLOW AND RESERVOIR PARTS

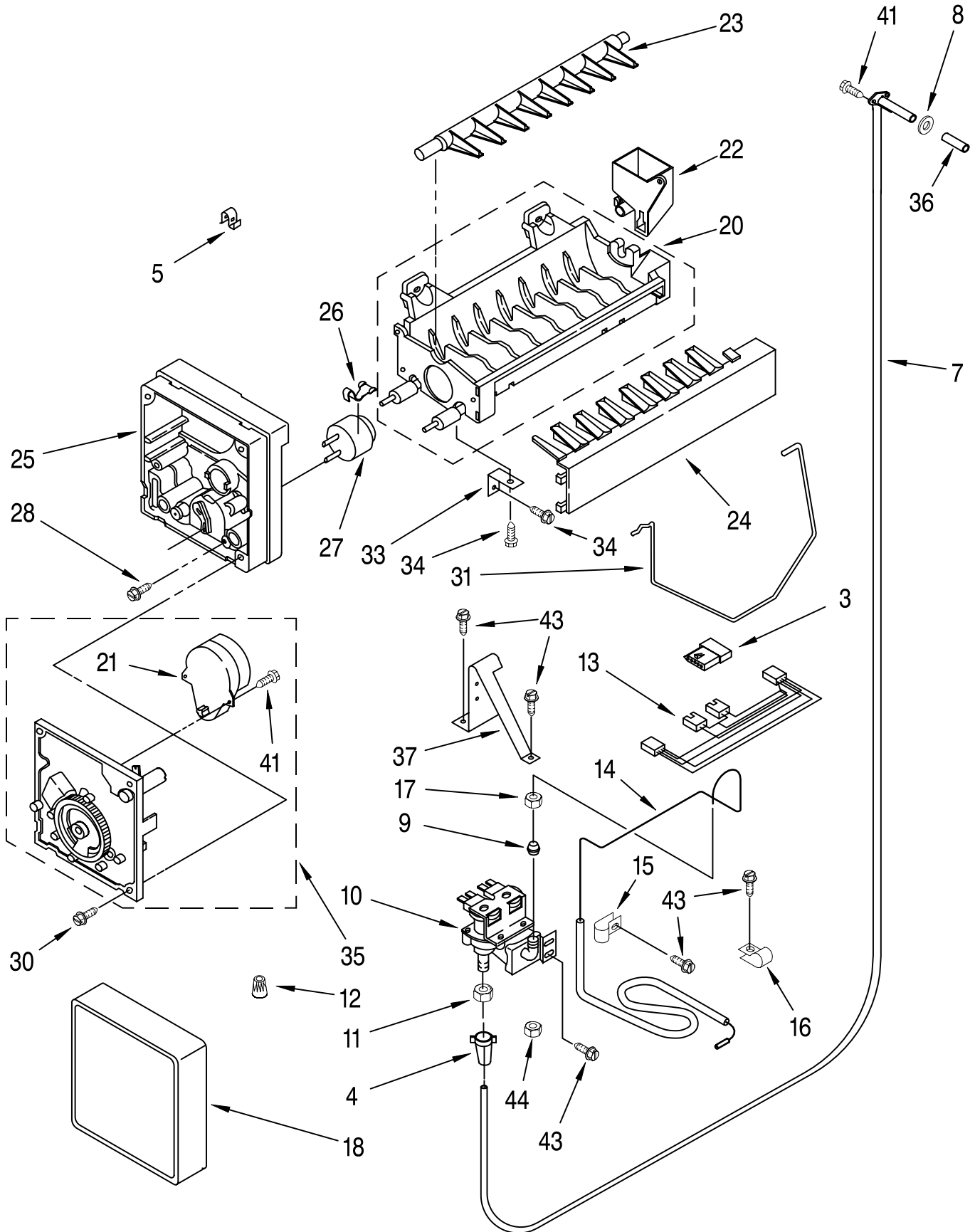
For Model: KSSS48MDX04

| Illus.<br>No. | Part<br>No. | DESCRIPTION  |
|---------------|-------------|--|
| 1             | 2003200     | Fan Motor  |
| 2             | 2002732     | Cup, Clearance                                     |
| 3             | 2169142     | Fan Blade  |
| 4             | 548263      | Bracket (Double)                                   |
| 5             | 938224      | Bracket (Single)                                   |
| 6             | 548268      | Grommet  |
| 7             | 486194      | Screw  |
| 8             | 2003926     | Deflector,<br>Air Duct                             |
| 9             | 488500      | Screw, Ground                                      |
| 10            | 488366      | Clamp, Tube  |
| 11            | 489348      | Clamp, Nylon                                       |
| 12            | 2001145     | Channel, Wiring                                    |
| 13            | 1112871     | Fastner  |
| 14            | 2000783     | Scroll, Fan  |
| 15            | 2003929     | Deflector,<br>Air Duct                             |
| 16            | 488772      | Screw  |
| 17            | 2003920     | Assembly, Air Duct<br>(Also Order<br>Items 8 & 15) |
| 18            | 2000048     | Air Deflector,<br>Icemaker                         |
| 22            | 1112869     | Gasket, Air Baffle                                 |
| 23            | 2003576     | Cover, Air Outlet                                  |
| 25            | 2000342     | Cover, Evaporator                                  |
| 26            | 2000796     | Connector, Meat<br>Pan Duct                        |
| 27            | 487539      | Screw  |
| 28            | 1112840     | Baffle, Evaporator                                 |
| 29            | 1112853     | Diffuser, Air Duct                                 |
| 30            | 2000861     | Reservoir  |
| 31            | 488280      | Screw  |
| 42            |             | Evaporator,<br>Cover Rail                          |
|               | 2000686     | Left Side  |
|               | 2000685     | Right Side   |
| 45            | 2001337     | Gasket (2)<br>Evaporator Cover                     |
| 46            | 2001079     | Gasket (2)   |
| 47            | 2001080     | Gasket   |
| 48            | 2001081     | Gasket   |

FOR ORDERING INFORMATION REFER TO PARTS PRICE LIST

# ICEMAKER PARTS

For Model: KSSS48MDX04



FOR ORDERING INFORMATION REFER TO PARTS PRICE LIST

# ICEMAKER PARTS

For Model: KSSS48MDX04

| Illus. No. | Part No. | DESCRIPTION                  | Illus. No. | Part No. | DESCRIPTION  | Illus. No. | Part No. | DESCRIPTION                                    |
|------------|----------|------------------------------|------------|----------|--|------------|----------|--|
| 3          | 2154472  | Connector                    | 16         | 2001087  | Clamp Tube   | 28         | 489322   | Screw  |
| 4          | 841707   | Insert, Tube                 | 17         | 487857   | Nut  | 30         | 489276   | Screw  |
| 5          | 628379   | Clip, Fuse                   | 18         | 2174155  | Cover  | 31         | 2171593  | Shut Off Arm                                   |
| 7          | 2003814  | Water Inlet<br>Tube Assembly | 20         | 628228   | Mold & Heater<br>(Also Order<br>542638 Silicone<br>Grease) | 33         | 2171952  | Bracket  |
| 8          | 1106508  | Seal Gasket                  |            |          |  | 34         | 489478   | Screw  |
| 9          | 487627   | Sleeve, Nut                  | 21         | 628398   | Motor  | 35         | 628399   | Module Assembly<br>(Includes Items<br>21 & 41) |
| 10         | 2181729  | Valve, Solenoid              | 22         | 628356   | Cup-Water Fill   | 36         | 2003812  | Extension Tube                                 |
| 11         | 627018   | Nut, Compression             | 23         | 627843   | Ejector  | 37         | 2000803  | Water Valve<br>Mounting Bracket                |
| 12         | 227991   | Connector, Wire              | 24         | 627788   | Ice Striper  | 41         | 489136   | Screw (2)                                      |
| 13         | 2003477  | Water Valve,<br>Harness      | 25         | 627790   | Support  | 43         | 486194   | Screw  |
| 14         | 2001320  | Inlet Water<br>Line          | 26         | 627796   | Retainer<br>Thermostat (2)                                 | 44         | 1129179  | Compression Nut                                |
| 15         | 489348   | Clamp, Nylon<br>Valve        | 27         | 627985   | Thermostat<br>(Also Order<br>542639 Cement<br>Alumilastic) | 100        | 4317943  | Complete Icemaker<br>Assembly                  |

## PARTS NOT ILLUSTRATED

| Illus. No. | Part No. | DESCRIPTION |
|------------|----------|-------------|
|------------|----------|-------------|

Following Parts Not Illustrated  
(Optional Parts Only)

|         |                                      |
|---------|--------------------------------------|
| 4318637 | Front Panel Kit<br>(White)           |
| 4318634 | Front Panel Kit<br>(Black)           |
| 4318640 | Front Panel Kit<br>(Almond)          |
| 4318643 | Front Panel Kit<br>(Stainless Steel) |

Black Acrylic  
Static Cleaner Part No. 978849

### LITERATURE PARTS

|            |                                   |
|------------|-----------------------------------|
| LIT2003755 | Use & Care Guide                  |
| LIT2003582 | Energy Label                      |
| LIT2004448 | Service & Wiring<br>Sheet         |
| LIT628370  | Modular Icemaker<br>Service Sheet |
| LIT2004022 | Installation<br>Instructions      |

FOR ORDERING INFORMATION REFER TO PARTS PRICE LIST