

PARTS LIST

for

KitchenAid®

REFRIGERATOR

MODEL KSSS48DYW00

SS-Stainless Steel

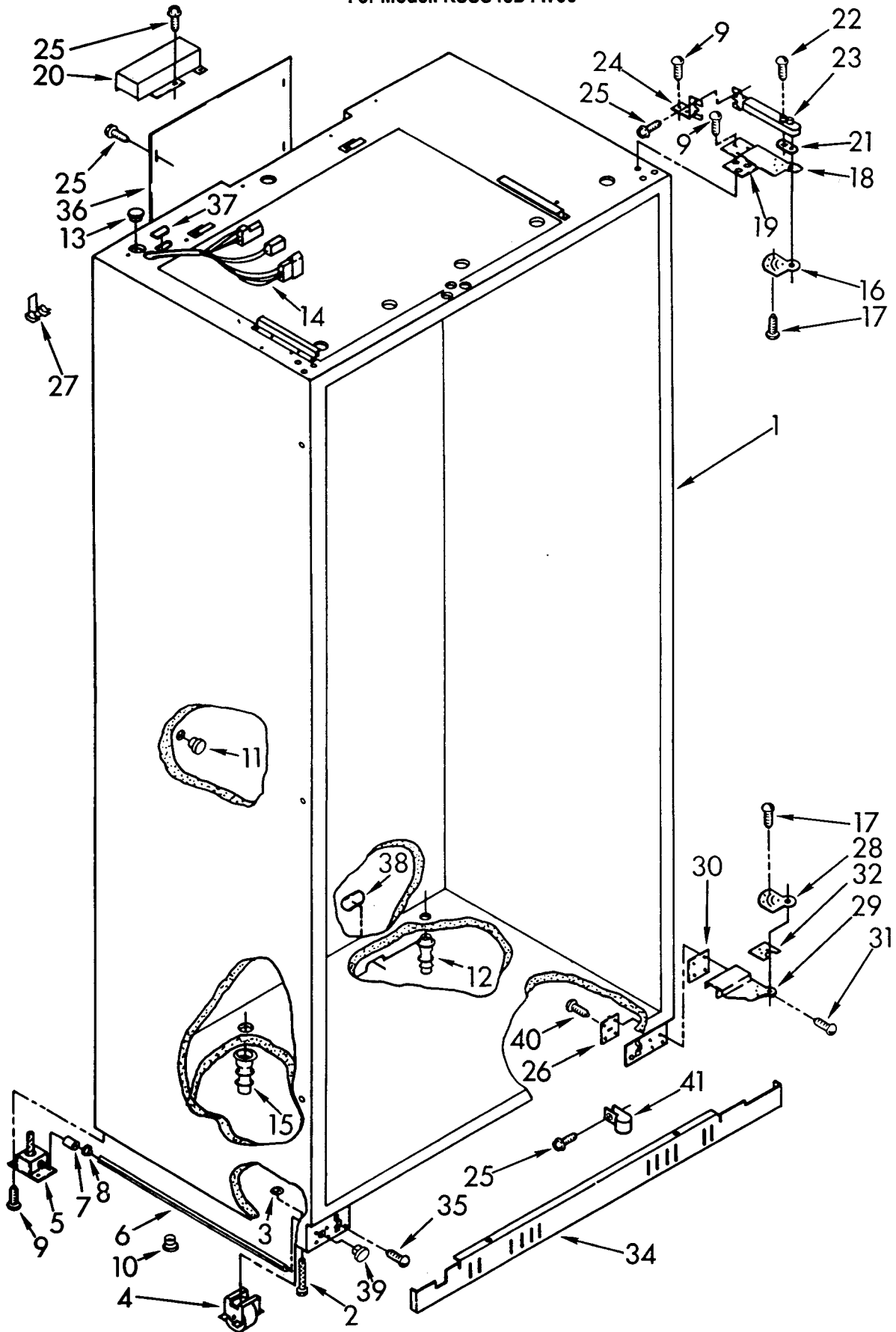


FOR CUSTOMER SATISFACTION ALWAYS USE
FACTORY SPECIFICATION PARTS



CABINET PARTS

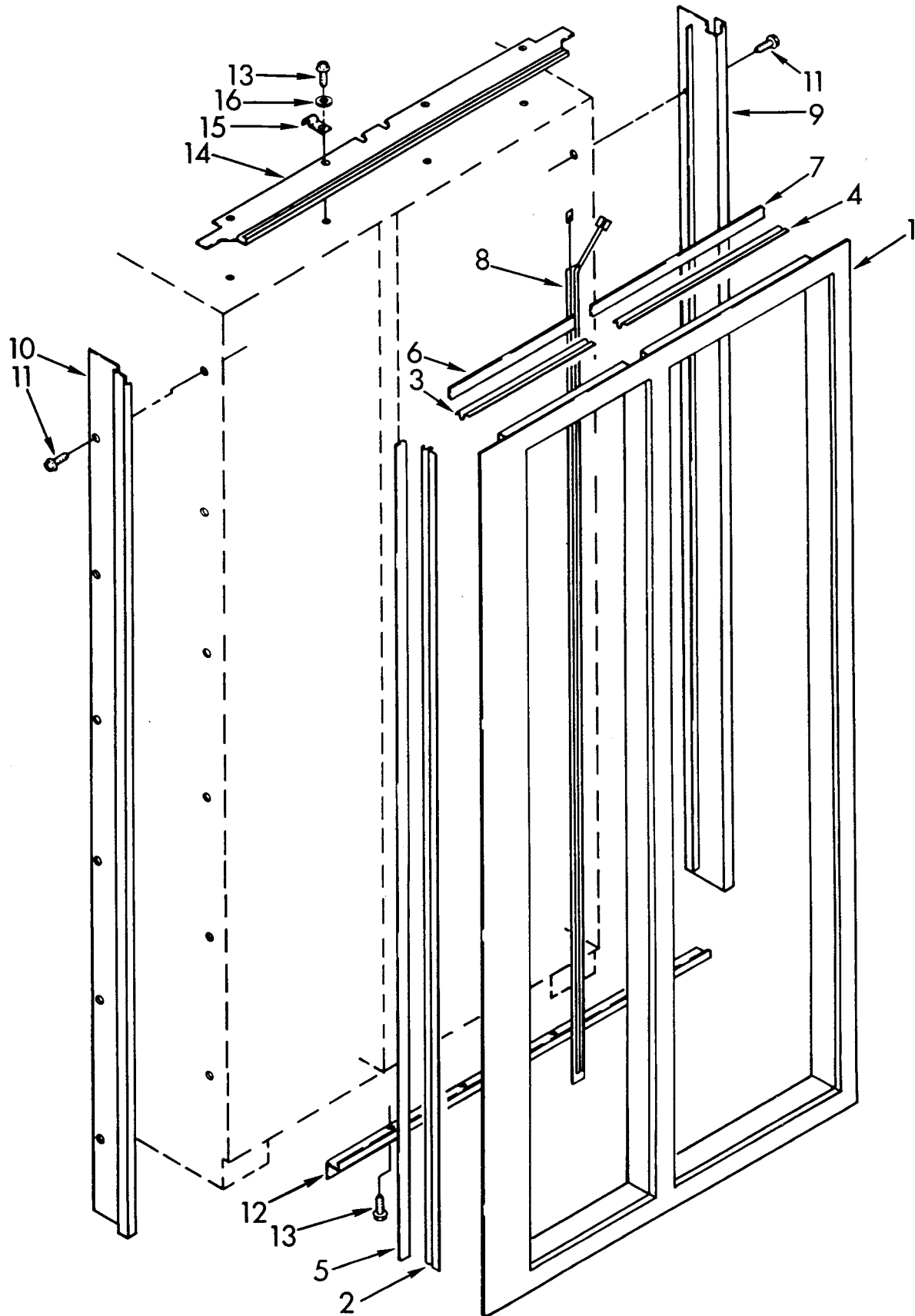
For Model: KSSS48DYW00



| | | |
|----|---------|----------------------------------|
| 1 | | Cabinet (Not A Serviceable Part) |
| 2 | 1112019 | Leveler, Front (2) |
| 3 | 1113249 | Retainer (2) |
| 4 | 1112023 | Roller, Front & Rear (4) |
| 5 | 1112695 | Leveler, Adjustable (2) |
| 6 | 1112936 | Adjusting Rod (2) |
| 7 | 1113250 | Sleeve, Retainer (2) |
| 8 | 1112937 | Bushing, Rod (2) |
| 9 | 2000489 | Screw |
| 10 | 1112939 | Hole Plug, Leveler |
| 11 | 1112849 | Cap, Grommet |
| 12 | 1112970 | Grommet, Water Tube |
| 13 | 1113122 | Grommet, Wiring |
| 14 | 2000614 | Wiring Harness, Cabinet |
| 15 | 1112848 | Drain Fitting |
| 16 | | Gap Cover Assembly (Top) |
| | 2001199 | Left Side |
| | 2001200 | Right Side |
| 17 | 1112906 | Shoulder Screw |
| 18 | | Hinge (Top) |
| | 1112901 | Left Side |
| | 1112912 | Right Side |
| 19 | 1112988 | Shim, Hinge Top (4) |
| 20 | 1112805 | Guard, Wiring |
| 21 | 1112907 | Door Closer, Fixed Cam |
| 22 | 487818 | Screw, 8-32 x 5/16 |
| 23 | 1112992 | Door Closer Assembly (2) |
| 24 | | Bracket, Door Closer |
| | 1112947 | Left Side |
| | 1112948 | Right Side |
| 25 | 486194 | Screw, 8 x 1/2 |
| 26 | 1112973 | Tap Plate, Hinge Butt (2) |
| 27 | 1113227 | Fastener (3) |
| 28 | | Gap, Cover Assembly (Bottom) |
| | 2001200 | Left Side |
| | 2001199 | Right Side |
| 29 | | Hinge (Bottom) |
| | 1112919 | Left Side |
| | 1112923 | Right Side |
| 30 | | Shim, Hinge Bottom |
| | 1112942 | 1 Each |
| | 1112943 | 2 Each |
| 31 | 2000490 | Screw |
| 32 | 1113809 | Spacer Lower Door Hinge |
| 34 | 2001219 | Grille Base, Front |
| 35 | 489238 | Screw (6) |
| 36 | 1112835 | Cover, Rear |
| 37 | 1113123 | Grommet, Wiring |
| 38 | 1113079 | Grommet, Flexible |
| 39 | 1112926 | Grommet, Tube |
| 40 | 487534 | Screw, 8 x 3/4 |
| 41 | 488366 | Clamp, Tube |

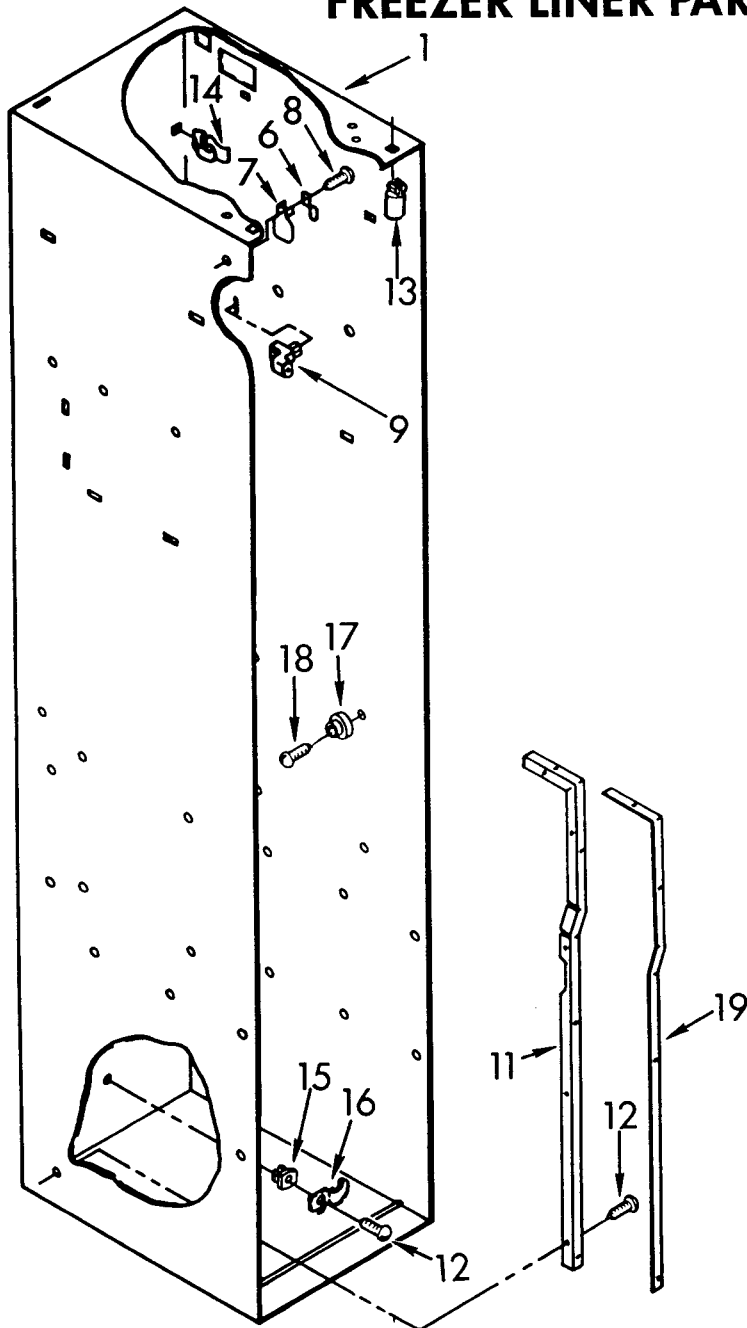
CABINET TRIMS AND BREAKER TRIM PARTS

For Model: KSSS48DYW00



| | | |
|----|---------|--------------------------------|
| 1 | 1112667 | Breaker Trim, (One Piece) |
| 2 | 1113277 | Retainer Side (4) |
| 3 | 1112754 | Retainer Trim Freezer (2) |
| 4 | 1112687 | Retainer Trim Refrigerator (2) |
| 5 | 1112682 | Magnet, Side (4) |
| 6 | 1112679 | Magnet, Freezer (2) |
| 7 | 1112681 | Magnet, Refrigerator (2) |
| 8 | 1112712 | Heater, Mullion |
| 9 | 2001179 | Cabinet Trim R.S |
| 10 | 2001178 | Cabinet Trim L.S |
| 11 | 489238 | Screw (12) |
| | 487246 | Screw (Repair) |
| 12 | 2001190 | Trim (Bottom) |
| 13 | 488649 | Screw, 8-32 x 1/2 (8) |
| 14 | 2001193 | Spacer Trim, Grille |
| 15 | 1113604 | Retainer, Unit Base (2) |
| 16 | 487944 | Washer (2) |

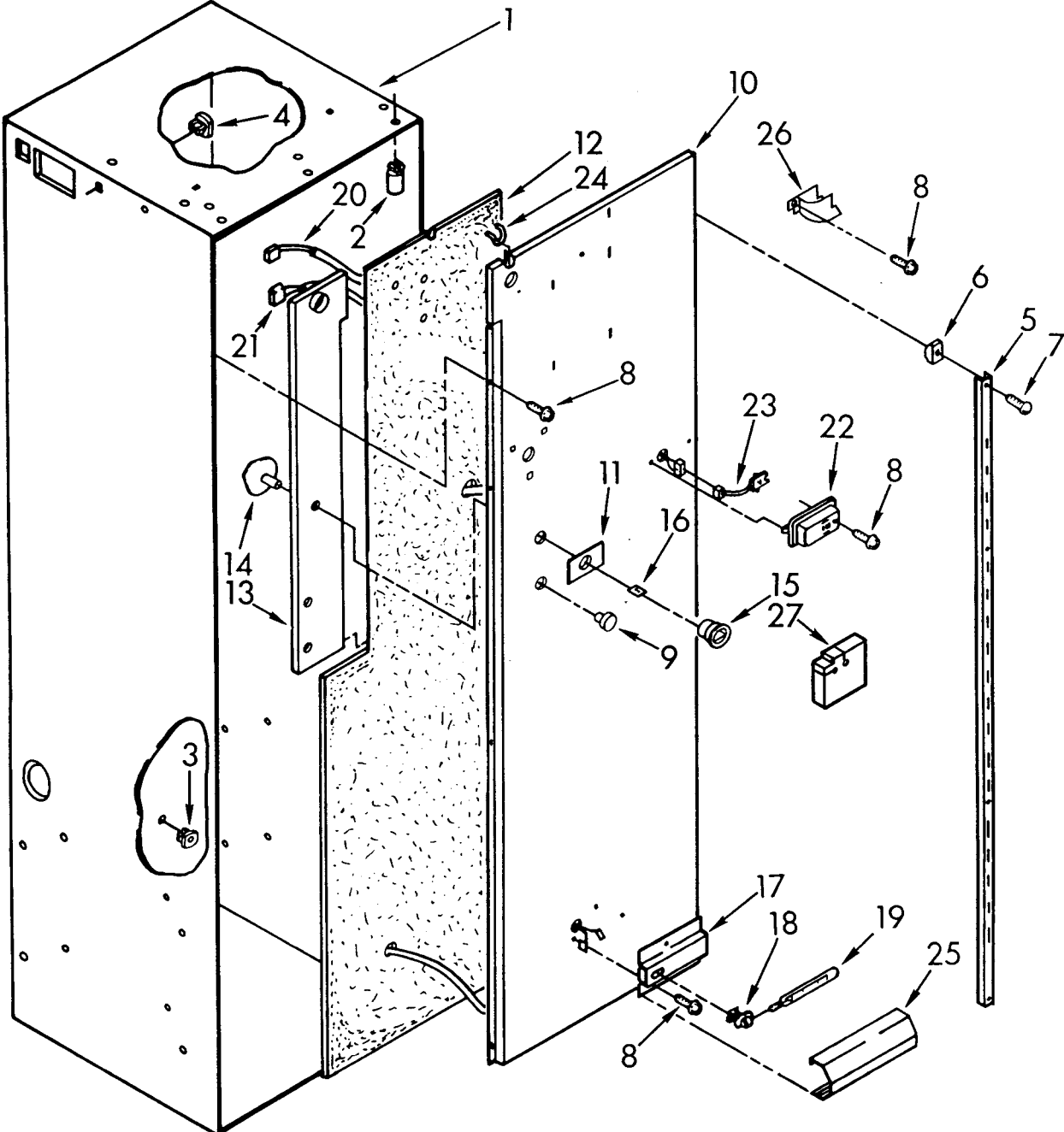
FREEZER LINER PARTS



| | | |
|----|---------|--------------------------------|
| 1 | | Liner (Not A Serviceable Part) |
| 6 | 538533 | Support Clip, Icemaker (2) |
| 7 | 538532 | Grommet, Screw (2) |
| 8 | 488552 | Screw, 10-12 x 3/8 (2) |
| 9 | 992720 | Stud, Support (4) |
| 11 | | Rail, Evaporator Cover |
| | 2000956 | Left Side |
| | 2000957 | Right Side |
| 12 | 486194 | Screw, 8 x 1/2 |
| 13 | 1112591 | Spacer, Control Panel (3) |
| 14 | 842534 | Clip, Air Duct (4) |
| 15 | 842339 | Grommet (15) |
| 16 | 1112260 | Support, Evaporator |
| 17 | 658944 | Stud, Shelf (8) |
| 18 | 487559 | Screw, 8-15 x 1-1/4 (8) |
| 19 | 1112843 | Gasket, Evaporator Cover (2) |

REFRIGERATOR LINER PARTS

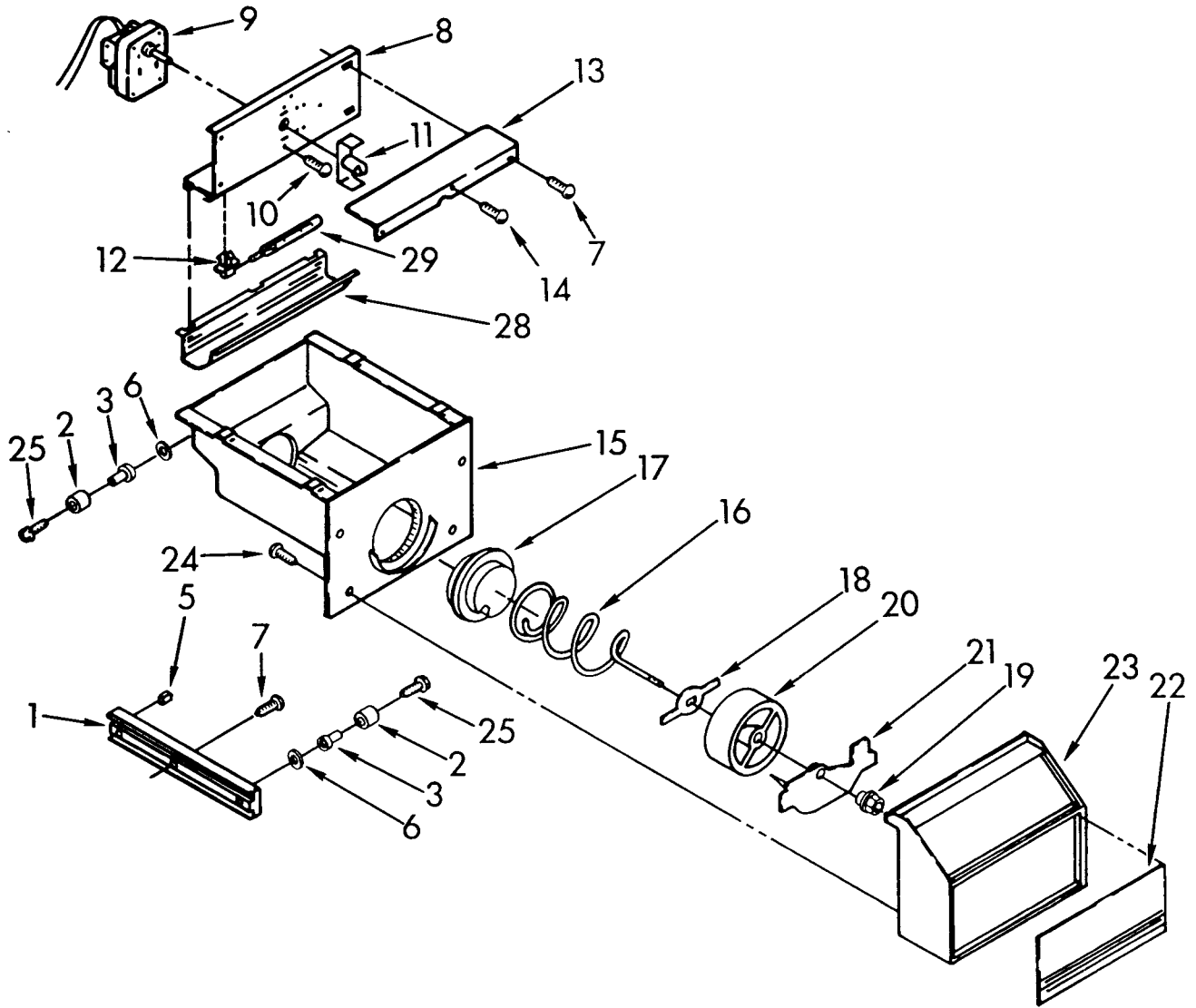
For Model: KSSS48DYW00



| | | |
|----|---------|--------------------------------|
| 1 | | LINER (Not A Serviceable Part) |
| 2 | 1112591 | Spacer, Control Panel (3) |
| 3 | 843436 | Grommet, Screw (3) |
| 4 | 842339 | Grommet |
| 5 | 1112115 | Ladder, Shelf (2) |
| 6 | 520965 | Screw Support, Ladder (8) |
| 7 | 488357 | Screw, 8 x 1-1/4 (8) |
| 8 | 486194 | Screw, 8 x 1/2 |
| 9 | 1112257 | Hole Plug |
| 10 | 2000952 | Cover, Liner Back |
| 11 | 1112219 | Control Panel Assembly (Meat) |
| 12 | 1112125 | Insulation, Liner Back Cover |
| 13 | 1112132 | Duct, Meat Pan |
| 14 | 1112218 | Damper Control, Meat Pan |
| 15 | 1112258 | Control Knob, Meat Pan |
| 16 | 837444 | Retainer, Knob |
| 17 | 1112789 | Bracket, Light |
| 18 | 1112613 | Socket, Light |
| 19 | 547225 | Light Bulb |
| 20 | 1112995 | Wiring Harness, Air Baffle |
| 21 | 1112709 | Wiring Harness, Light Socket |
| 22 | 1116793 | Cover, Thermistor |
| 23 | 1116959 | Thermistor |
| 24 | 1113078 | Flexible Grommet |
| 25 | 1112788 | Shield, Light |
| 26 | 2000527 | Guard Air Return |
| 27 | 1112840 | Baffle Evaporator |

ICE CONTAINER PARTS

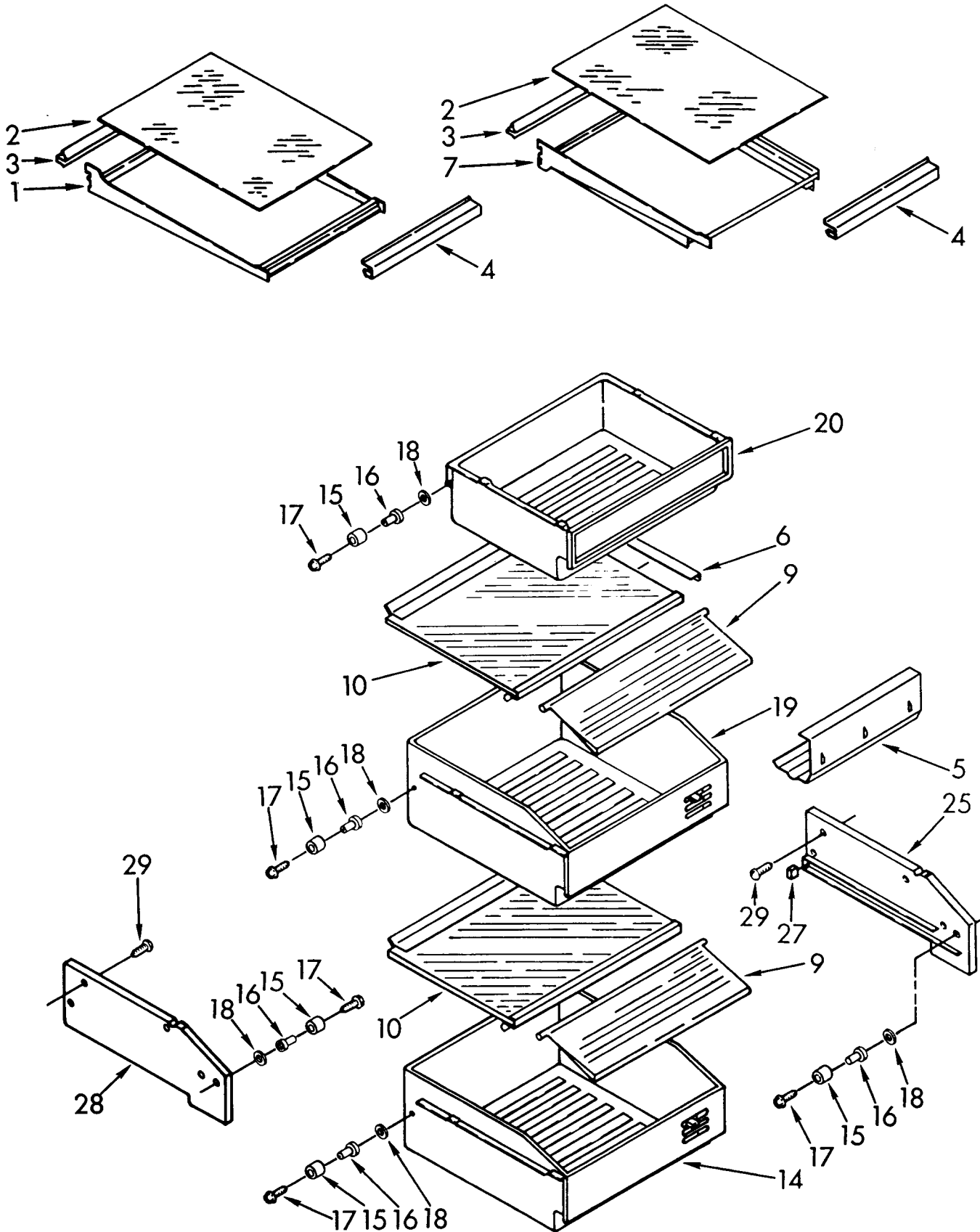
For Model: KSSS48DYW00



| | | |
|----|---------|-----------------------|
| 1 | | Spacer, Track |
| | 1112282 | Left Side |
| | 1112281 | Right Side |
| 2 | 1113870 | Roller |
| 3 | 1113871 | Eyelet, Roller |
| 5 | 1113169 | Stop, Roller |
| 6 | 488307 | Washer |
| 7 | 486194 | Screw, 8 x 1/2 |
| 8 | 1113127 | Bracket, Motor |
| 9 | 1113960 | Motor Assembly |
| 10 | 488906 | Screw, 8-32 x 5/16 |
| 11 | 983663 | Coupling, Motor |
| 12 | 1112613 | Socket, Light |
| 13 | 1113130 | Cover, Motor |
| 14 | 487294 | Screw, 8-32 x 3/8 |
| 15 | 1112287 | Ice Container |
| 16 | 1112378 | Conveyor |
| 17 | 983668 | Coupling, Conveyor |
| 18 | 946192 | Drive Bar, Drum |
| 19 | 946195 | Bearing Nut |
| 20 | 946193 | Drum |
| 21 | 946194 | Baffle |
| 22 | 2001034 | Overlay, Cover |
| 23 | 1112382 | Front Cover |
| 24 | 488886 | Screw, 8-18 x 1/2 (5) |
| 25 | 489211 | Screw, 10-16 x 3/4 |
| 28 | 1113140 | Lens, Dispenser |
| 29 | 547225 | Light Bulb |

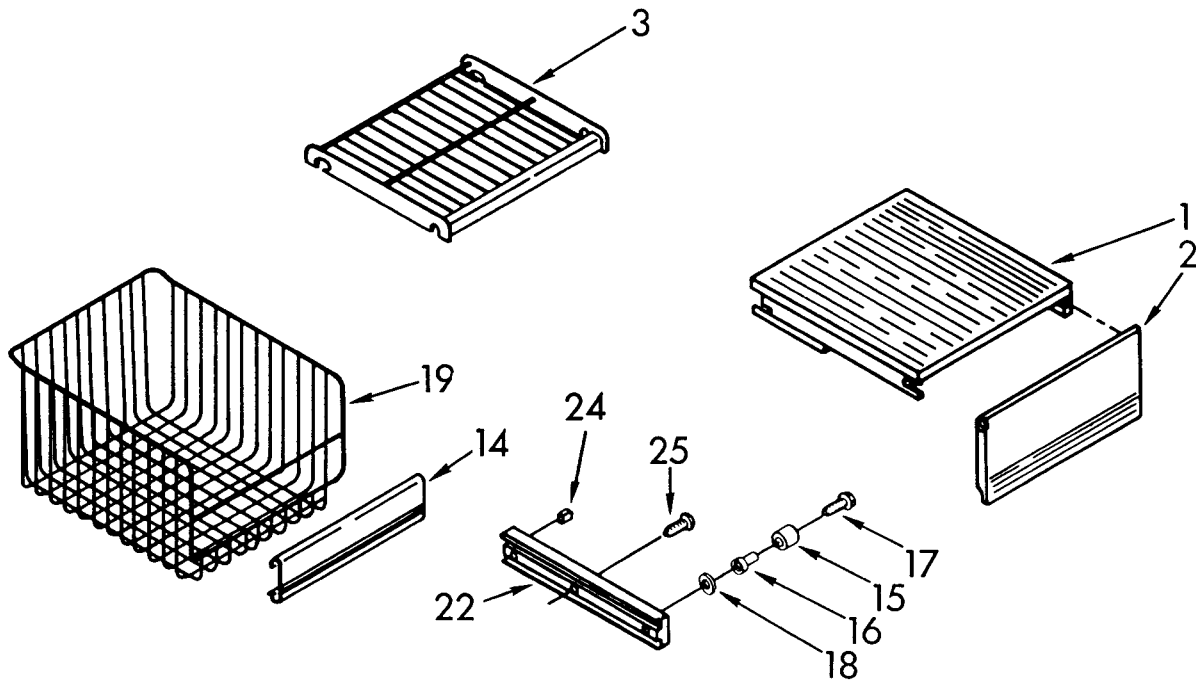
REFRIGERATOR SHELF PARTS

For Model: KSSS48DYW00



| | | |
|----|---------|--------------------------------|
| 1 | 1112004 | Frame, Shelf |
| 2 | 1113956 | Glass, Shelf |
| 3 | 1112006 | Reflector, Shelf |
| 4 | 1113792 | Gasket, Glass (2) |
| 5 | 1125913 | Rack, Wine |
| 6 | 1112324 | Retainer Glass |
| 7 | 1112014 | Frame Assembly |
| 9 | 1112247 | Cover, Crisper |
| 10 | 1113238 | Glass, Crisper |
| 14 | 2000554 | Crisper Pan |
| 15 | 1113870 | Roller |
| 16 | 1113871 | Eyelet, Roller |
| 17 | 489211 | Screw, 10-16 x 3/4 |
| 18 | 488307 | Washer |
| 19 | 2000557 | Utility Pan |
| 20 | 2000560 | Meat Pan |
| 25 | 1112165 | Crisper Spacer, Right Side (2) |
| 27 | 1113169 | Stop, Roller |
| 28 | 1113890 | Crisper Spacer, Left Side (2) |
| 29 | 486194 | Screw, 8 x 1/2 |

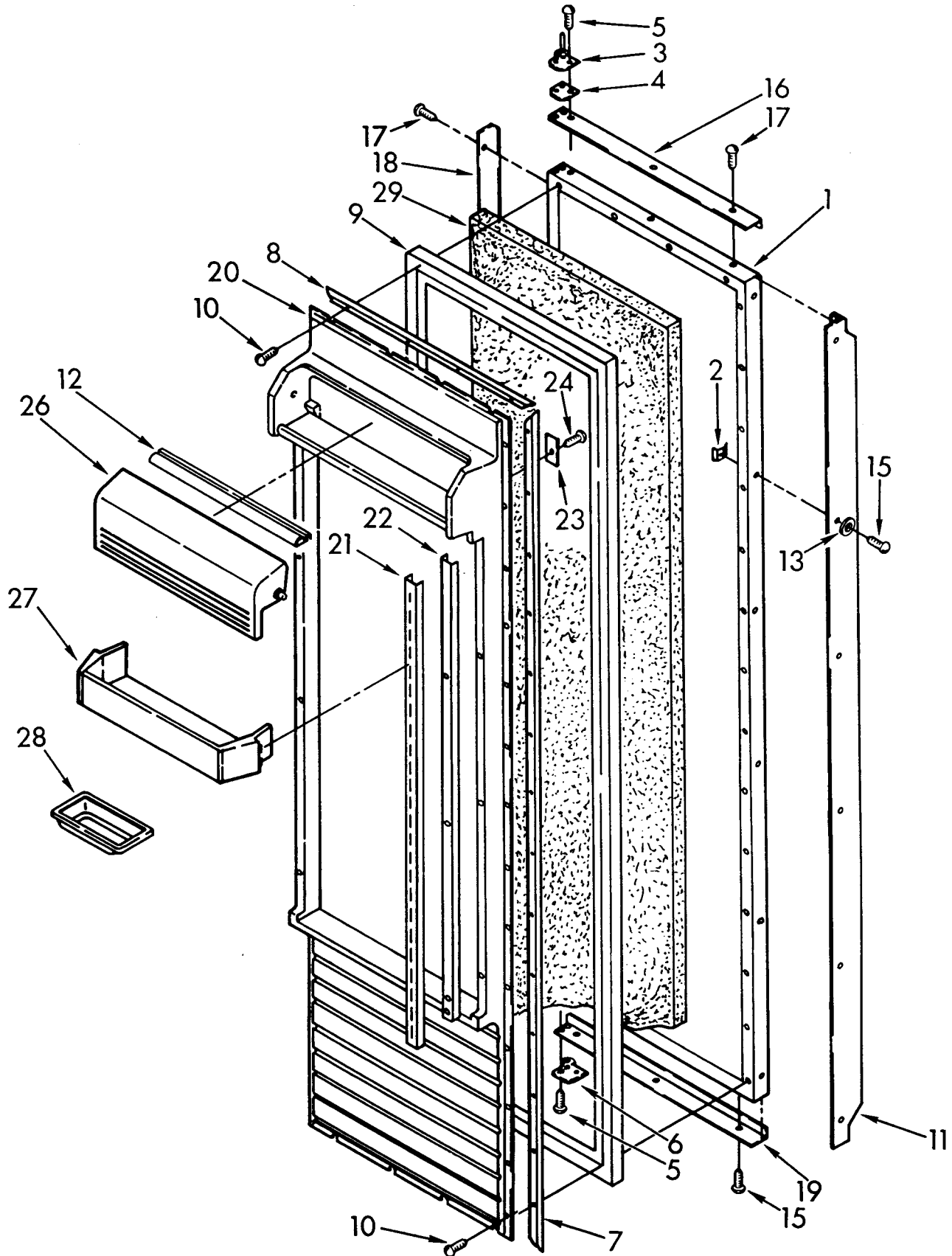
FREEZER SHELF PARTS



| | | |
|----|---------|------------------------|
| 1 | 1112367 | Solid Shelf |
| 2 | 2000529 | Front, Ice Compartment |
| 3 | | Shelf, Fixed |
| | 1112052 | Small (2) |
| | 1113638 | Large (1) |
| 14 | 1113644 | Trim, Basket |
| 15 | 1113870 | Roller |
| 16 | 1113871 | Eyelet, Roller |
| 17 | 489211 | Screw, 10-16 x 3/4 |
| 18 | 488307 | Washer |
| 19 | 1113641 | Basket |
| 22 | 2000061 | Slide, Basket R.S. |
| | 2000062 | Slide, Basket L.S. |
| 24 | 1113169 | Stop, Roller |
| 25 | 486194 | Screw, 8 x 1/2 |

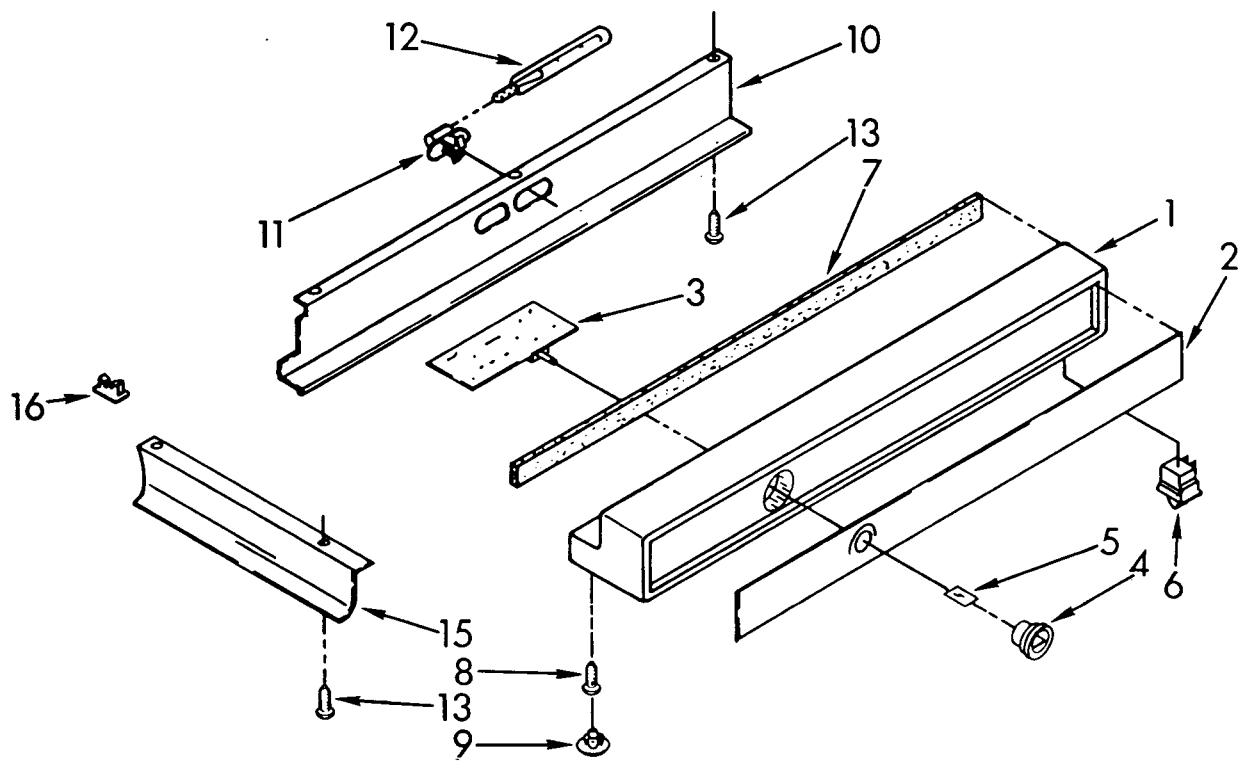
REFRIGERATOR DOOR PARTS

For Model: KSSS48DYW00



| | | |
|----|---------|--|
| 1 | 2000571 | Door Panel, Refrigerator (Also Order Item 29) |
| 2 | 939101 | Screw Anchor (8) |
| 3 | 1112945 | Hinge Assembly, Top |
| 4 | 2001198 | Spacer |
| 5 | 489282 | Screw |
| 6 | 1112921 | Hinge Assembly, Bottom |
| 7 | 1112533 | Gasket Retainer, Side (2) |
| 8 | 1112542 | Gasket Retainer, Top & Bottom |
| 9 | 2000447 | Door Gasket, Magnetic |
| 10 | 489101 | Screw, 7 x 1/2 (36) |
| 11 | 2001158 | Handle, Door |
| 12 | 1113955 | Gasket Utility Door |
| 13 | 2001230 | Washer |
| 15 | 2001208 | Screw |
| 16 | 2001167 | Trim (Top) |
| 17 | 2001209 | Screw |
| 18 | 2001157 | Trim (Side) |
| 19 | 2001170 | Trim (Bottom) |
| 20 | 1113950 | Panel, Interior Door |
| 21 | 1113949 | Ladder, Shelf (2) |
| 22 | 1113948 | Retainer, Shelf Ladder (2) |
| 23 | 1112514 | Back Up Plate (8) |
| 24 | 486194 | Screw, 8 x 1/2 |
| 26 | 1112737 | Door, Utility Bin |
| 27 | 2000622 | Door Shelf (4) |
| 28 | 1125936 | Butter Tray |
| 29 | 876029 | Kit, Foam Slab (Required When Replacing Exterior Door Panel) |

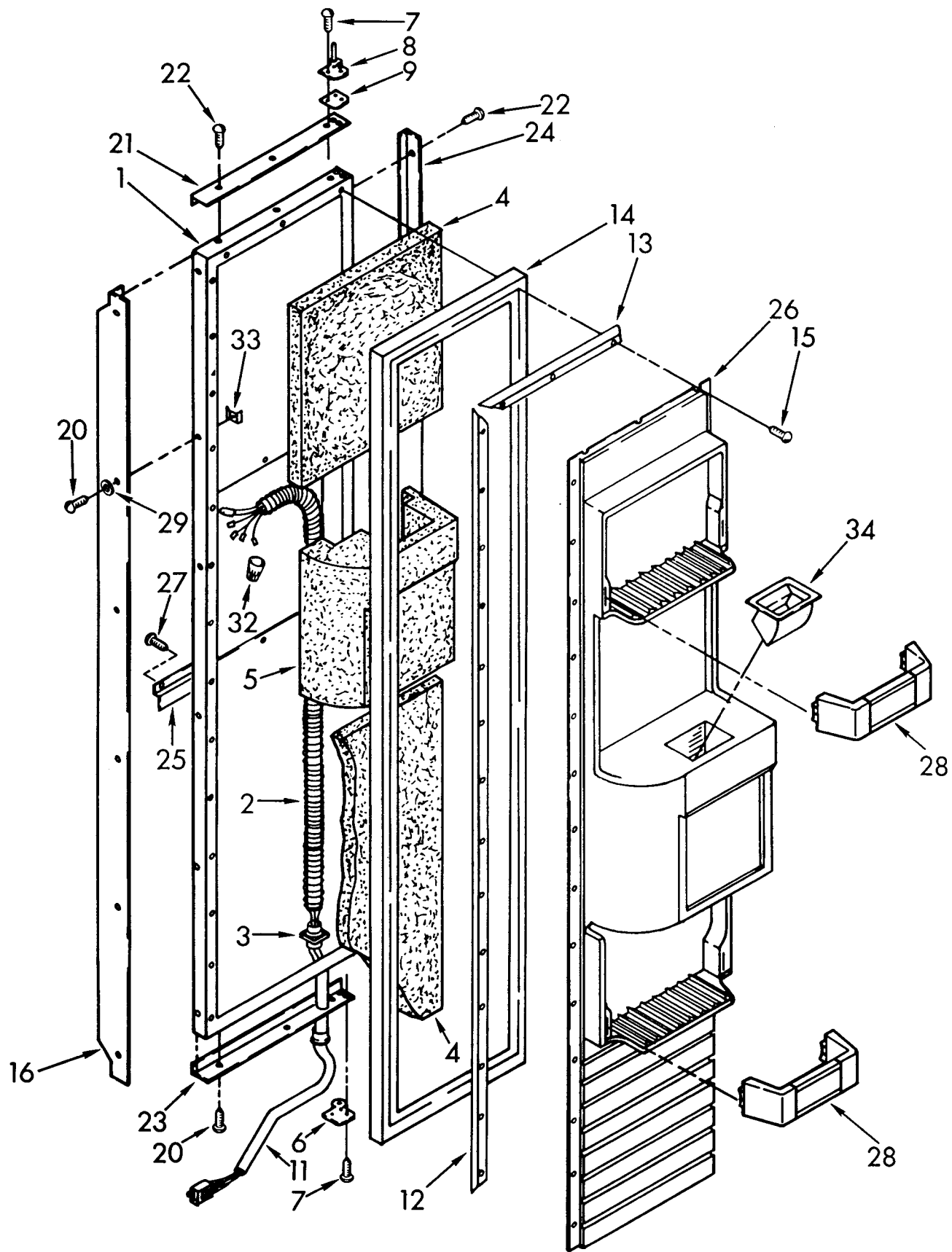
REFRIGERATOR CONTROL PANEL PARTS



| | | |
|----|---------|-----------------------|
| 1 | 1112642 | Control Panel |
| 2 | 2000976 | Inlay, Control Panel |
| 3 | 1113390 | Circuit Board |
| 4 | 1116853 | Control Knob |
| 5 | 837444 | Retainer, Knob |
| 6 | 1108112 | Switch, Rocker Arm |
| 7 | 1113137 | Seal, Control Panel |
| 8 | 489260 | Screw (3) |
| 9 | 2000153 | Hole Plug (3) |
| 10 | 1113775 | Shield, Control Panel |
| 11 | 1112613 | Socket, Light (2) |
| 12 | 547225 | Light Bulb (2) |
| 13 | 486194 | Screw, 8 x 1/2 |
| 15 | 1112708 | Channel, Wiring |
| 16 | 1115375 | Clip, Wiring (2) |

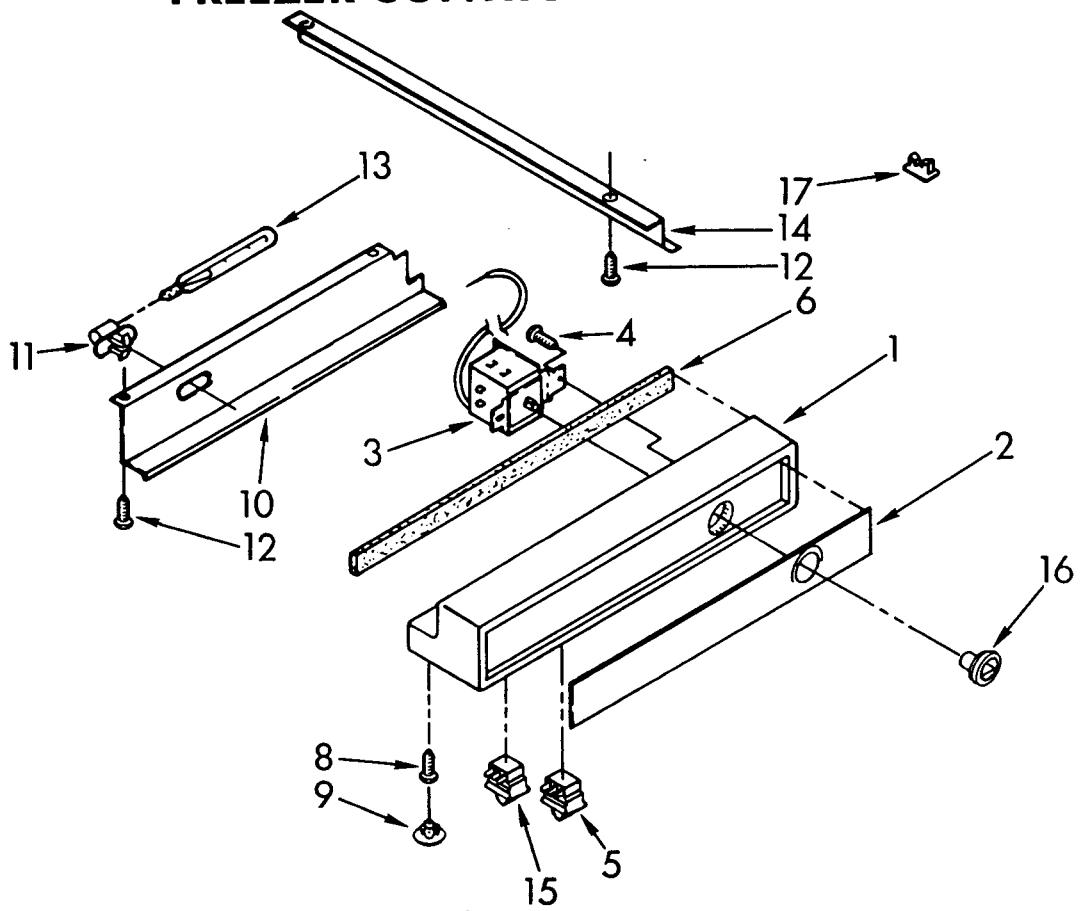
FREEZER DOOR PARTS

For Model: KSSS48DYW00



| | | |
|----|---------|--|
| 1 | 2000594 | Exterior Door Panel, Freezer (Also Order Item 4) |
| 2 | 1112997 | Tube, Wiring |
| 3 | 1112928 | Retainer, Tube |
| 4 | 876029 | Kit, Foam Slab (Required When Replacing Exterior Door Panel) |
| 5 | 1112979 | Insulation, Dispenser |
| 6 | 1112916 | Hinge, Bottom |
| 7 | 489282 | Screw |
| 8 | 1112944 | Hinge, Top |
| 9 | 2001198 | Spacer Plate Expansion (2) |
| 11 | 1112488 | Wiring Harness, Freezer Door |
| 12 | 1112533 | Gasket Retainer, Side (2) |
| 13 | 1112539 | Gasket Retainer, Top & Bottom |
| 14 | 2000444 | Door Gasket, Magnetic |
| 15 | 489101 | Screw, 7 x 1/2 (34) |
| 16 | 2001158 | Handle, Door |
| 20 | 2001208 | Screw |
| 21 | 2001156 | Trim (Top) |
| 22 | 2001209 | Screw |
| 23 | 2001164 | Trim (Bottom) |
| 24 | 2001157 | Trim (Side) |
| 25 | 2001161 | Front Trim (2) |
| 26 | 1113947 | Panel, Interior Door |
| 27 | 487052 | Screw |
| 28 | 2000606 | Door Shelf, Assembly |
| 29 | 2001230 | Washer |
| 32 | 227991 | Wire Connector |
| 33 | 939101 | Screw Anchor |
| 34 | 1112554 | Ice Chute |

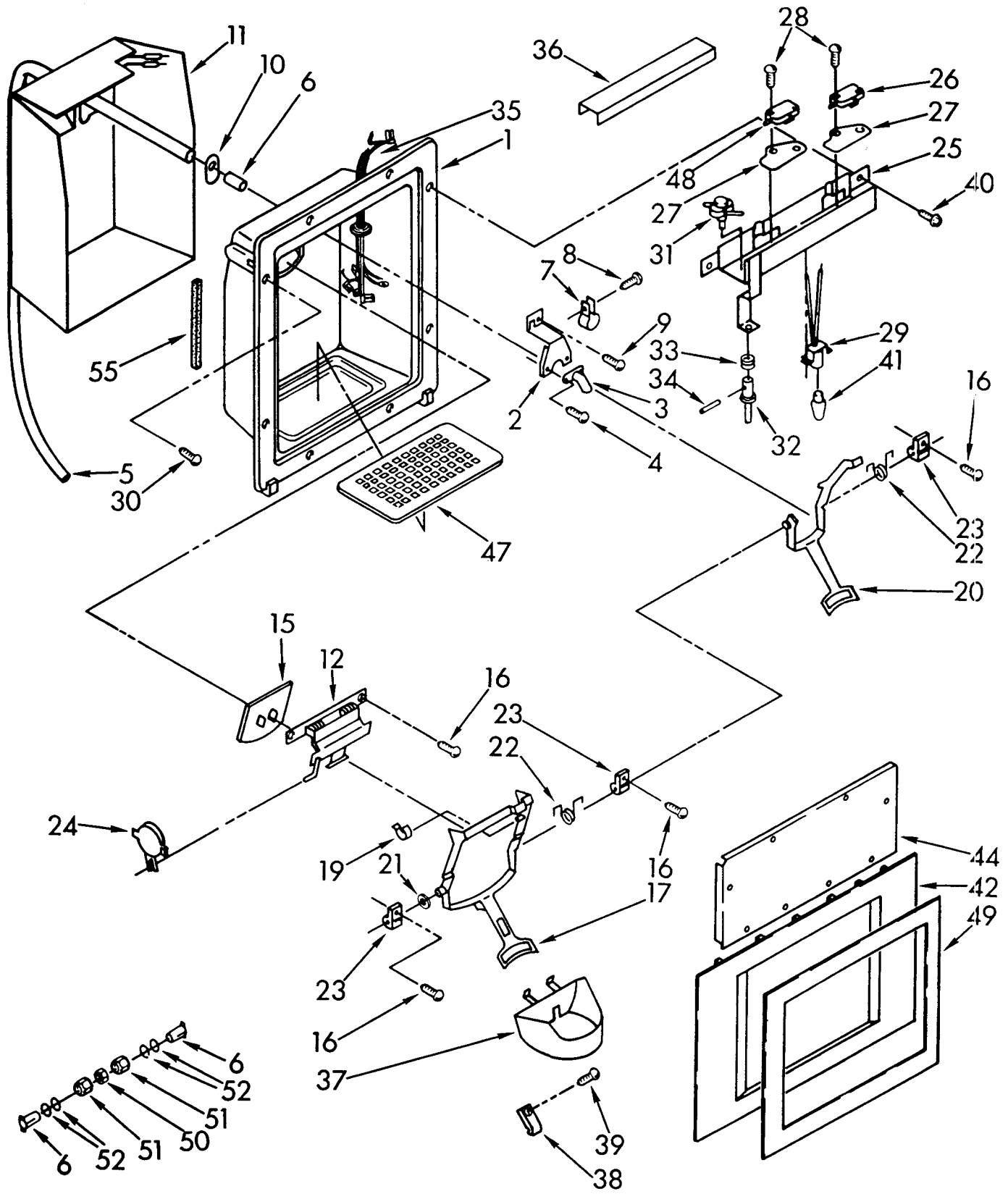
FREEZER CONTROL PANEL PARTS



| | | |
|----|---------|--------------------------------------|
| 1 | 1112597 | Control Panel |
| 2 | 1113959 | Inlay, Control Panel |
| 3 | 1113466 | Thermostat & Barrier Assembly |
| 4 | 488974 | Screw (2) |
| 5 | 851387 | Switch, Rocker Arm (Dispenser Motor) |
| 6 | 1113136 | Seal, Control Panel |
| 8 | 489260 | Screw (3) |
| 9 | 2000153 | Hole Plug (3) |
| 10 | 1113769 | Shield, Control Panel |
| 11 | 1112613 | Socket, Light |
| 12 | 486194 | Screw, 8 x 1/2 |
| 13 | 547225 | Light Bulb |
| 14 | 1112707 | Channel, Wiring |
| 15 | 1108112 | Switch, Rocker Arm (Light) |
| 16 | 1112592 | Knob, Thermostat |
| 17 | 1115375 | Clip, Wiring |

DISPENSER AND FRONT PARTS

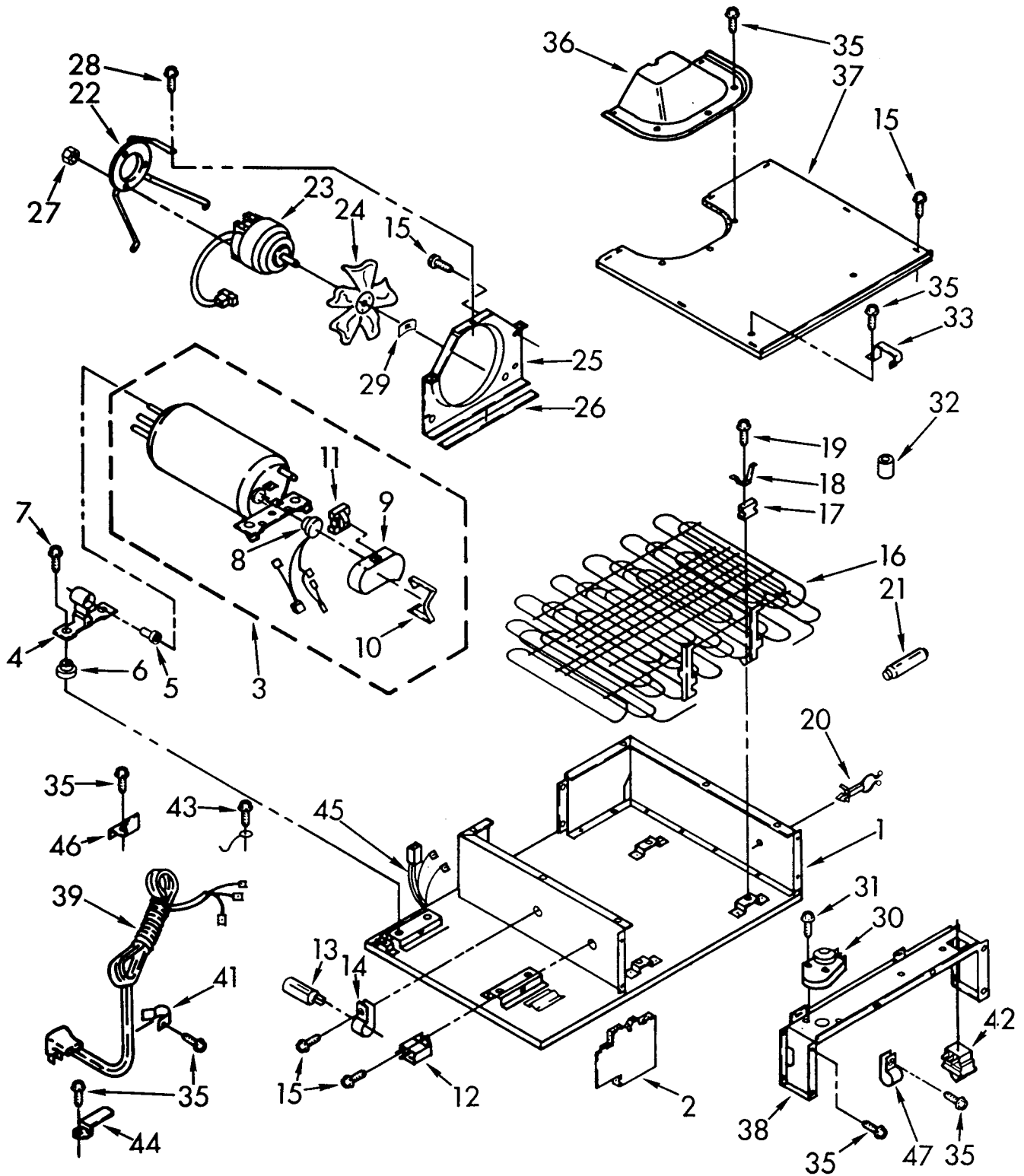
For Model: KSSS48DYW00



| | | |
|----|---------|------------------------------|
| 1 | 1124715 | Housing, Dispenser |
| 2 | 987049 | Bracket, Water Fitting |
| 3 | 2155056 | Water Fitting, Dispenser |
| 4 | 487916 | Screw, 8 x 3/8 |
| 5 | 987053 | Water Tube |
| 6 | 841707 | Insert, Tube |
| 7 | 488878 | Clamp, Tube |
| 8 | 488886 | Screw, 8-18 x 1/2 |
| 9 | 488316 | Screw, 8-18 x 3/4 |
| 10 | 987048 | Grommet |
| 11 | 2157430 | Heater, Ice Dispenser |
| 12 | 2147167 | Ice Door Mechanism |
| 15 | 2147168 | Ice Door |
| 16 | 489000 | Screw, 9-12 x 1/2 |
| 17 | 2147476 | Lever, Ice Dispenser Assy. |
| 19 | 987917 | Bearing, Clip |
| 20 | 2147478 | Lever, Water Dispenser Assy. |
| 21 | 488307 | Washer |
| 22 | 983696 | Spring, Lever |
| 23 | 983697 | Bearing, Lever |
| 24 | 1120581 | Delay Mechanism |
| 25 | 1107454 | Bracket, Control |
| 26 | 841336 | Switch |
| 27 | 984683 | Insulation, Switch |
| 28 | 488361 | Screw, 4-40 x 1 |
| 29 | 987265 | Lamp Holder |
| 30 | 488500 | Screw, 8-32 x 3/8 |
| 31 | 851386 | Light Switch |
| 32 | 1107457 | Plunger, Extension |
| 33 | 983986 | Spring, Plunger |
| 34 | 983987 | Retainer, Pin |
| 35 | 934302 | Wiring Harness, Door |
| 36 | 984494 | Wiring Shield |
| 37 | 2147479 | Guiding, Ice |
| 38 | 2147480 | Stop Lever |
| 39 | 488892 | Screw |
| 40 | 487052 | Screw, 8-15 x 1/2 (6) |
| 41 | 851389 | Light Bulb |
| 42 | 2001174 | Front Cover, Housing |
| 44 | 1112836 | Cover, Dispenser Opening |
| 47 | 1126120 | Grille, Overflow |
| 48 | 934316 | Switch |
| 49 | 2001177 | Overlay, Cover |
| 50 | 489098 | Union |
| 51 | 487857 | Nut-Ball Sleeve |
| 52 | 488794 | "O" Ring Seal |
| 55 | 482672 | Seal |

UPPER UNIT PARTS

For Model: KSSS48DYW00



| | | |
|----|---------|---|
| 1 | 1113034 | Assembly, Unit Base |
| 2 | 1113386 | Assembly, Sound Barrier |
| 3 | 4210577 | Compressor (Includes Items 8, 9, 10 & 11) (Also Order 876765 Tube Kit) |
| 4 | 1105220 | Bracket, Mounting |
| 5 | 1105219 | Grommet, Bracket |
| 6 | 1105200 | Grommet, Mounting |
| 7 | 489334 | Screw |
| 8 | 1113273 | Overload Service |
| | 2001233 | Overload Production Only |
| 9 | 1105221 | Terminal Cover |
| 10 | 1105222 | Strap, Cover |
| 11 | 1108066 | Relay |
| 12 | 2149684 | Running Capacitor |
| 13 | 1118796 | Starting Capacitor |
| 14 | 1108033 | Clamp |
| 15 | 487869 | Screw, 8 x 3/8 |
| 16 | 1113015 | Condenser |
| 17 | 943447 | Grommet (4) |
| 18 | 1113019 | Clamp (4) |
| 19 | 487522 | Screw, 8-32 x 5/8 (4) |
| 20 | 1113228 | Wire Tie (2) |
| 21 | 1108023 | Drier |
| 22 | 1113083 | Mounting Bracket, Motor |
| 23 | 1113081 | Motor, Fan |
| 24 | 1113082 | Blade, Fan |
| 25 | 2000190 | Orifice, Fan |
| 26 | 1113303 | Gasket, Orifice |
| 27 | 488130 | Nut (3) |
| 28 | 489368 | Screw, 8 x 1/2 (3) |
| 29 | 486692 | Speed Nut |
| 30 | 1127570 | Defrost Timer (10 Hour) |
| 31 | 488911 | Screw, 6-20 x 3/8 |
| 32 | 2000645 | Mounting Sleeve |
| 33 | 1113066 | Clamp, Tube (2) |
| 35 | 486194 | Screw, 8 x 1/2 |
| 36 | 1113075 | Cover, Fan |
| 37 | 1113028 | Cover, Condenser |
| 38 | 1113076 | Extension, Housing |
| 39 | 937360 | Service Cord |
| 41 | 1113162 | Clamp, Cord (2) |
| 42 | 1113229 | Switch, Power Disconnect |
| 43 | 488879 | Screw, Ground |
| 44 | 653035 | Clip, Cord Plug |
| 45 | 1113748 | Wiring Harness, Unit Compartment |
| 46 | 1113039 | Stop |
| 47 | 489348 | Clamp, Nylon |
| | 1113067 | Clamp, Tube |
| | 488888 | Clamp, Tube |

Following Parts Not Illustrated and Optional Parts Not Included

| | |
|--------|-----------------------|
| 978025 | Valve, Access (1/4") |
| 978026 | Valve, Access (5/16") |
| 978027 | Valve, Access (3/8") |
| 978028 | Valve, Access (1/2") |
| 978029 | Valve, Access (5/8") |
| 978030 | Valve, Access (3/4") |

876764 Valve, Access (3/16")

Following Parts Not Illustrated (Optional Parts Only)

4318419 Top Grille Trim Kit (8")
4318418 Top Grille Trim Kit (7-1/2")
4318424 Front Panel Kit (White)
4318423 Front Panel Kit (Black)
4318425 Front Panel Kit (Almond)
4318426 Front Panel Kit (Stainless Steel)

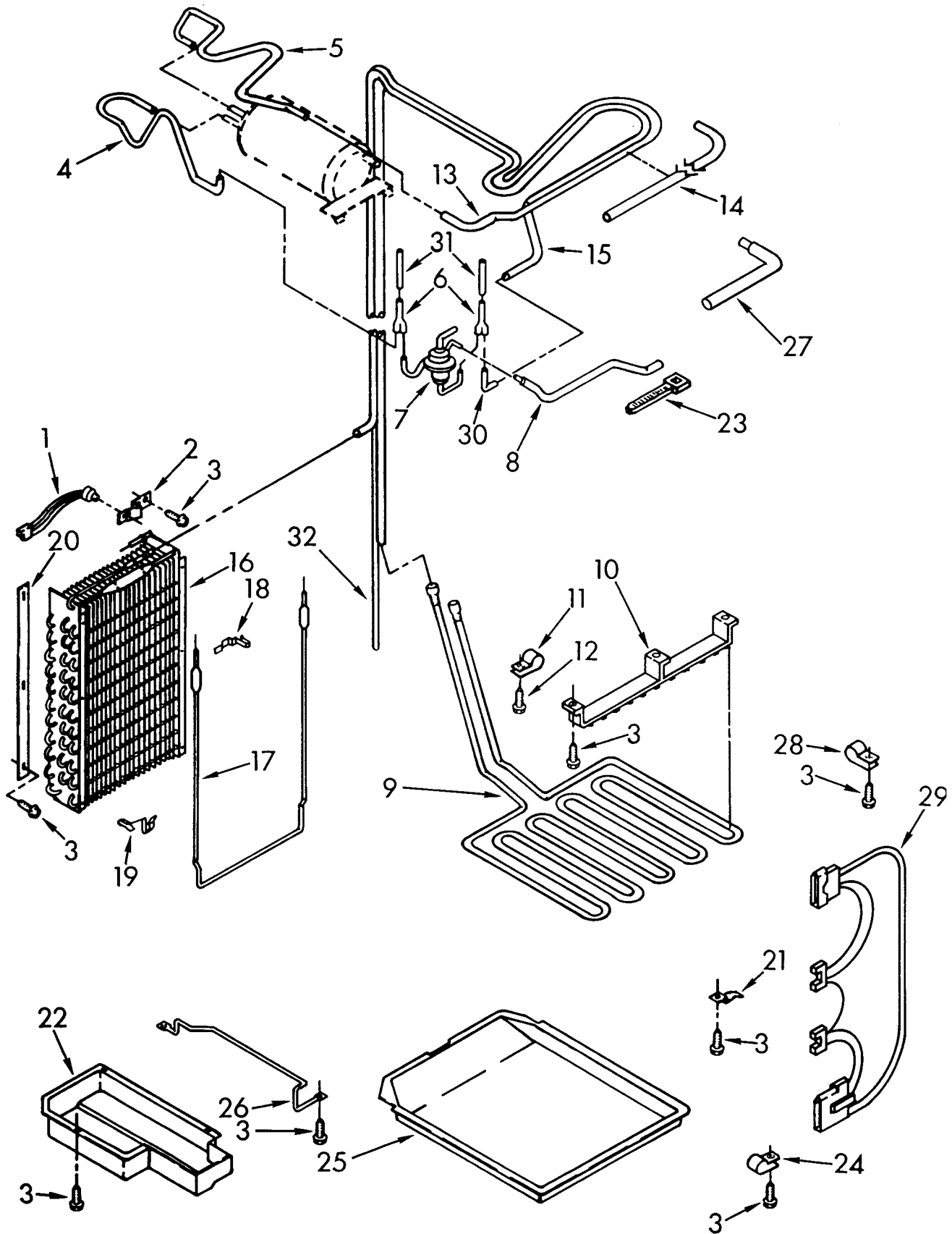
Black Acrylic Static Cleaner Part No. 978849

LITERATURE PARTS

LIT1112406 Use & Care Guide
LIT2001258 Energy Label
LIT2000628 Service & Wiring Sheet
LIT628370 Modular Icemaker Service Sheet
LIT4361206 Parts List
LIT2000493 Installation Instructions

LOWER UNIT AND TUBE PARTS

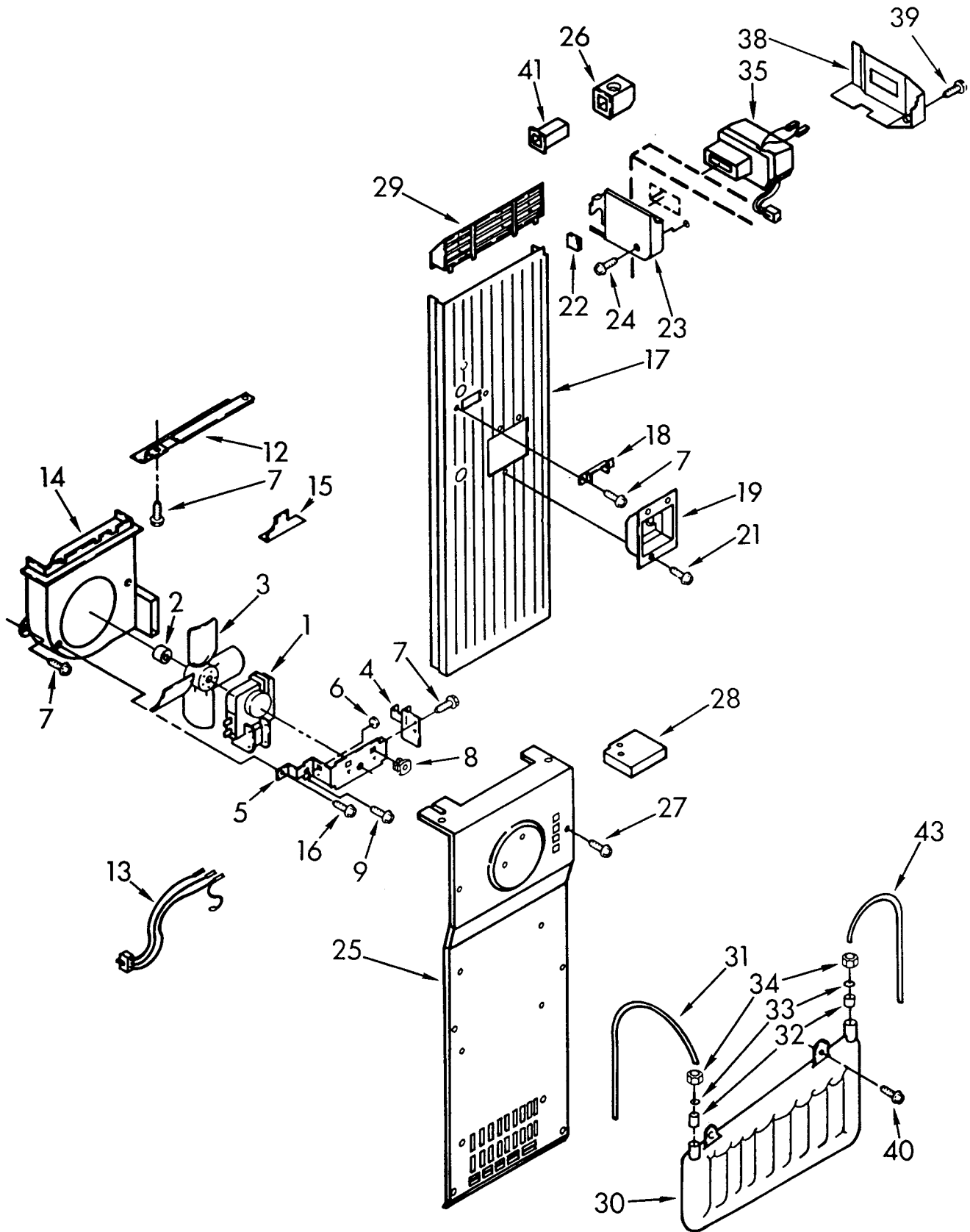
For Model: KSSS48DYW00



| | | |
|----|---------|-----------------------------|
| 1 | 2000528 | Defrost Bi-Metal |
| 2 | 1113043 | Clamp, Bi-Metal |
| 3 | 486194 | Screw, 8 x 1/2 |
| 4 | 1113293 | Tube, Connect (Suction) |
| 5 | 1113209 | Tube, Connect (Discharge) |
| 6 | 1113296 | Tube, Flow Divider (2) |
| 7 | 1113292 | Valve, Fluid Control |
| 8 | 1113294 | Tube, Connect (Drier) |
| 9 | 1113061 | Heater, Drain Pan |
| 10 | 1113062 | Hanger, Heater |
| 11 | 1113105 | Bracket, Heater |
| 12 | 487534 | Screw, 8 x 1 |
| 13 | 1113256 | Tube, Discharge |
| 14 | 1113057 | Sleeve |
| 15 | 1113475 | Heat Exchanger |
| 16 | 1113042 | Evaporator |
| 17 | 2000563 | Heater, Defrost |
| 18 | 1113048 | Clamp, Heater (2) |
| 19 | 549419 | Clamp, Heater (2) |
| 20 | 1112844 | Gasket, Evaporator |
| 21 | 1112713 | Clip, Connector |
| 22 | 1113070 | Guard, Hook-Up |
| 23 | 851095 | Strap (7) |
| 24 | 488946 | Clamp, Wiring |
| 25 | 1113208 | Drain Pan |
| 26 | | Bracket, Drain Pan |
| | 1113206 | (L.H.) |
| | 1113207 | (R.H.) |
| 27 | 1113059 | Process Tube |
| 28 | 934011 | Clip, Water Tube |
| 29 | 1112444 | Wiring Harness, Water Valve |
| 30 | 1113384 | Tube, Connect (Suction) |
| 31 | 1113297 | Tube (2) |
| 32 | 1113096 | Tube, Condenser Inlet |

AIR FLOW AND RESERVOIR PARTS

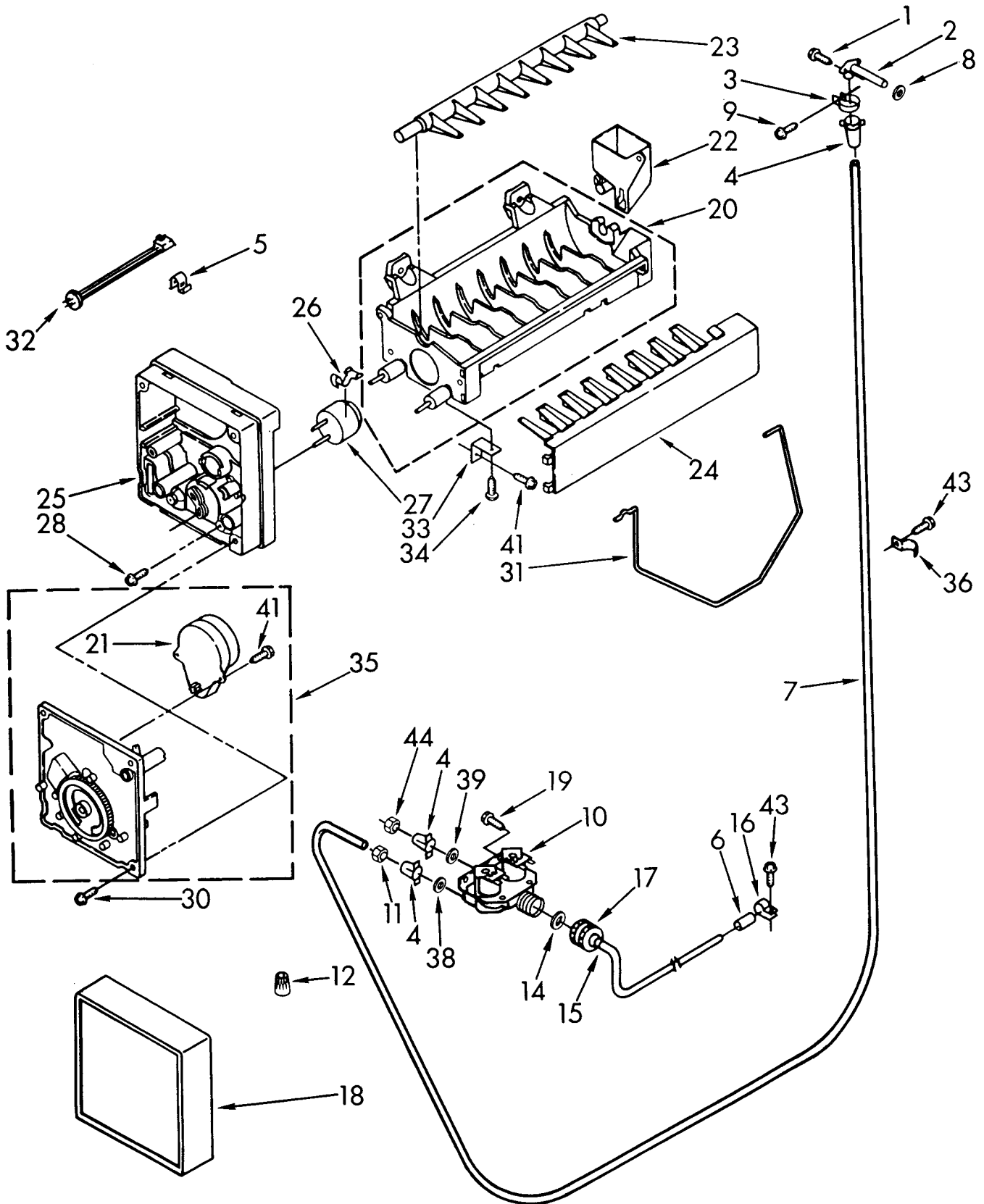
For Model: KSSS48DYW00



| | | |
|----|---------|----------------------------------|
| 1 | 945523 | Fan Motor |
| 2 | 992953 | Compression Ring |
| 3 | 992920 | Fan Blade |
| 4 | 548263 | Bracket (Double) |
| 5 | 938224 | Bracket (Single) |
| 6 | 548268 | Grommet |
| 7 | 486194 | Screw, 8 x 1/2 |
| 8 | 538449 | Grommet, Screw |
| 9 | 488500 | Screw, Ground |
| 12 | 2000113 | Channel, Wiring |
| 13 | 2000618 | Wiring Harness, Fan Motor |
| 14 | 1111212 | Scroll, Fan (Also Order Item 15) |
| 15 | 1112976 | Shield, Scroll |
| 16 | 488772 | Screw, 8 x 1/2 |
| 17 | 2000057 | Assembly, Air Duct |
| 18 | 2000048 | Air Deflector, Ice maker |
| 19 | 1112870 | Cup, Motor |
| 21 | 1112871 | Fastener (3) |
| 22 | 1112869 | Gasket, Air Baffle |
| 23 | 1113942 | Cover, Air Outlet |
| 24 | 486194 | Screw, 8-32 x 1-1/2 |
| 25 | 2000487 | Cover, Evaporator |
| 26 | 1112565 | Connector, Meat Pan Duct |
| 27 | 487539 | Screw, 8 x 1/2 |
| 28 | 1112529 | Baffle, Evaporator |
| 29 | 1112853 | Diffuser, Air Duct |
| 30 | 839912 | Reservoir, Water |
| 31 | 2001259 | Water Tube (Inlet) |
| 32 | 841707 | Insert, Tube |
| 33 | 488819 | "O" Ring Seal |
| 34 | 488795 | Compression Nut |
| 35 | 1113590 | Assembly, Air Baffle |
| 38 | 1113940 | Cover, Air Diffuser |
| 39 | 489174 | Screw, 8 x 2 |
| 40 | 488775 | Screw |
| 41 | 1112265 | Tube, Meat Pan |
| 43 | 2001260 | Water Tube (Outlet) |

ICEMAKER PARTS

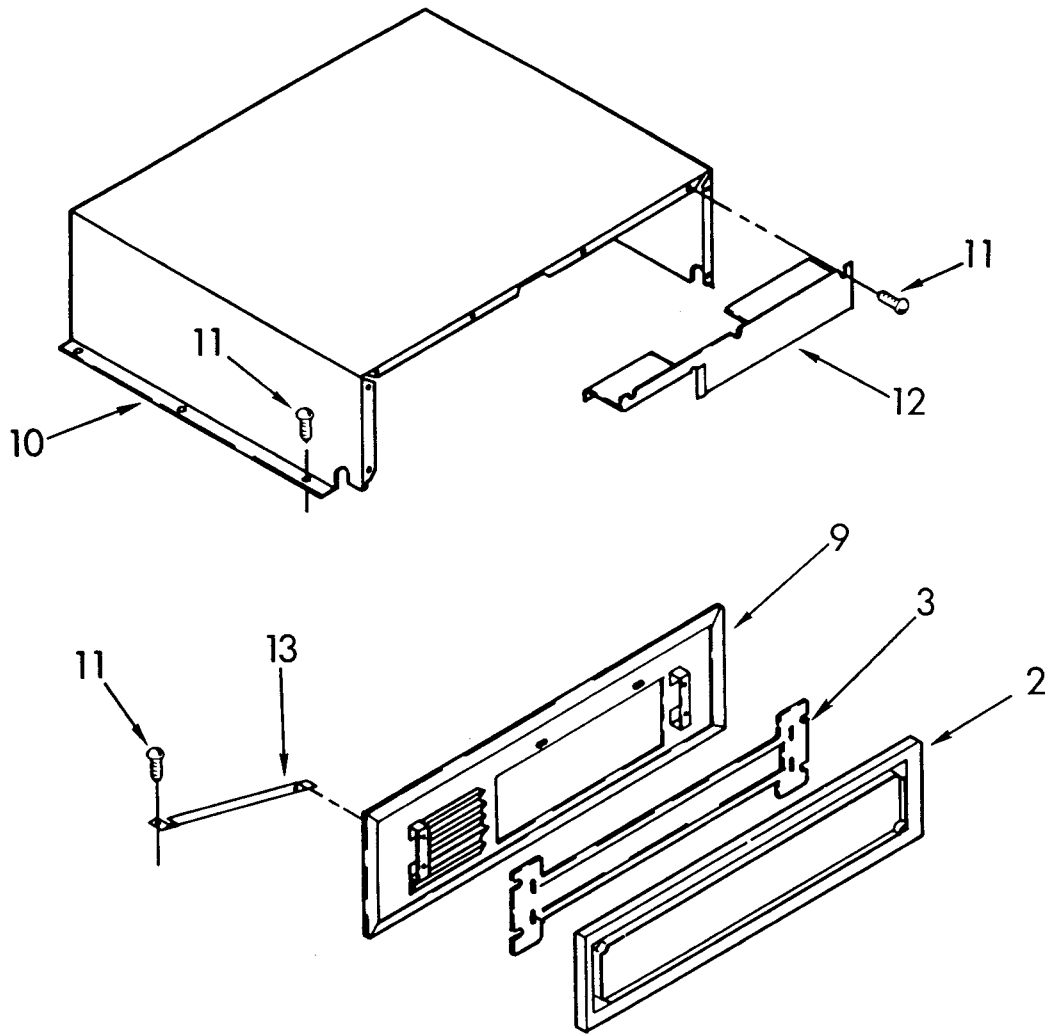
For Model: KSSS48DYW00



| | | |
|-----|---------|---|
| 1 | 489084 | Screw, 8 x 1/2 |
| 2 | 1112845 | Fitting, Water Tube |
| 3 | 488878 | Clamp, Tube |
| 4 | 841707 | Insert, Tube |
| 5 | 628379 | Clip, Fuse |
| 6 | 836074 | Dampener |
| 7 | 1112556 | Tube, Water |
| 8 | 1106508 | Seal Gasket |
| 9 | 488645 | Screw, 8 x 1/2 (2) |
| 10 | 1113103 | Valve, Solenoid |
| 11 | 627018 | Nut, Compression |
| 12 | 227991 | Connector, Wire |
| 14 | 488292 | Washer |
| 15 | 1113106 | Tube, Inlet Valve |
| 16 | 1113066 | Clamp Tube |
| 17 | 537588 | Nut, Valve |
| 18 | 628355 | Cover |
| 19 | 487294 | Screw, 8-32 x 3/8 (2) |
| 20 | 628228 | Mold & Heater (Also Order 542638 Silicone Grease) |
| 21 | 628258 | Motor |
| 22 | 628356 | Cup, Water Fill |
| 23 | 627843 | Ejector |
| 24 | 627788 | Ice Striper |
| 25 | 627790 | Support |
| 26 | 627796 | Retainer Thermostat (2) |
| 27 | 627985 | Thermostat (Also Order 542639 Cement Alumilastic) |
| 28 | 489322 | Screw, 10-32 x 49/64 |
| 30 | 489276 | Screw |
| 31 | 627913 | Shut Off Arm |
| 32 | 1113403 | Harness, Wiring |
| 33 | 627915 | Bracket |
| 34 | 489365 | Screw, 8-32 x 27/64 |
| 35 | 628366 | Module Assembly (Includes Items 21, 29, 41) |
| 36 | 1112847 | Tube Clamp (4) |
| 38 | 488794 | "O" Ring |
| 39 | 488819 | "O" Ring |
| 41 | 489136 | Screw, (2) 3-24 x 3/8 |
| 43 | 486194 | Screw, 8 x 1/2 |
| 44 | 1108005 | Compression Nut |
| 100 | 4317943 | Icemaker |

TOP GRILLE AND UNIT COVER PARTS

For Model: KSSS48DYW00



| | | |
|----|---------|---------------------------|
| 2 | 2001211 | Decorative Panel Assembly |
| 3 | 1113356 | Back Up Panel |
| 9 | 2001213 | Top Grille Assembly |
| 10 | 1113490 | Cover, Unit |
| 11 | 486194 | Screw, 8 x 1/2 |
| 12 | 1113300 | Cover, Component Assembly |
| 13 | 1113317 | Brace, Panel |