

FOR ORDERING INFORMATION REFER TO PARTS PRICE LIST

CABINET PARTS

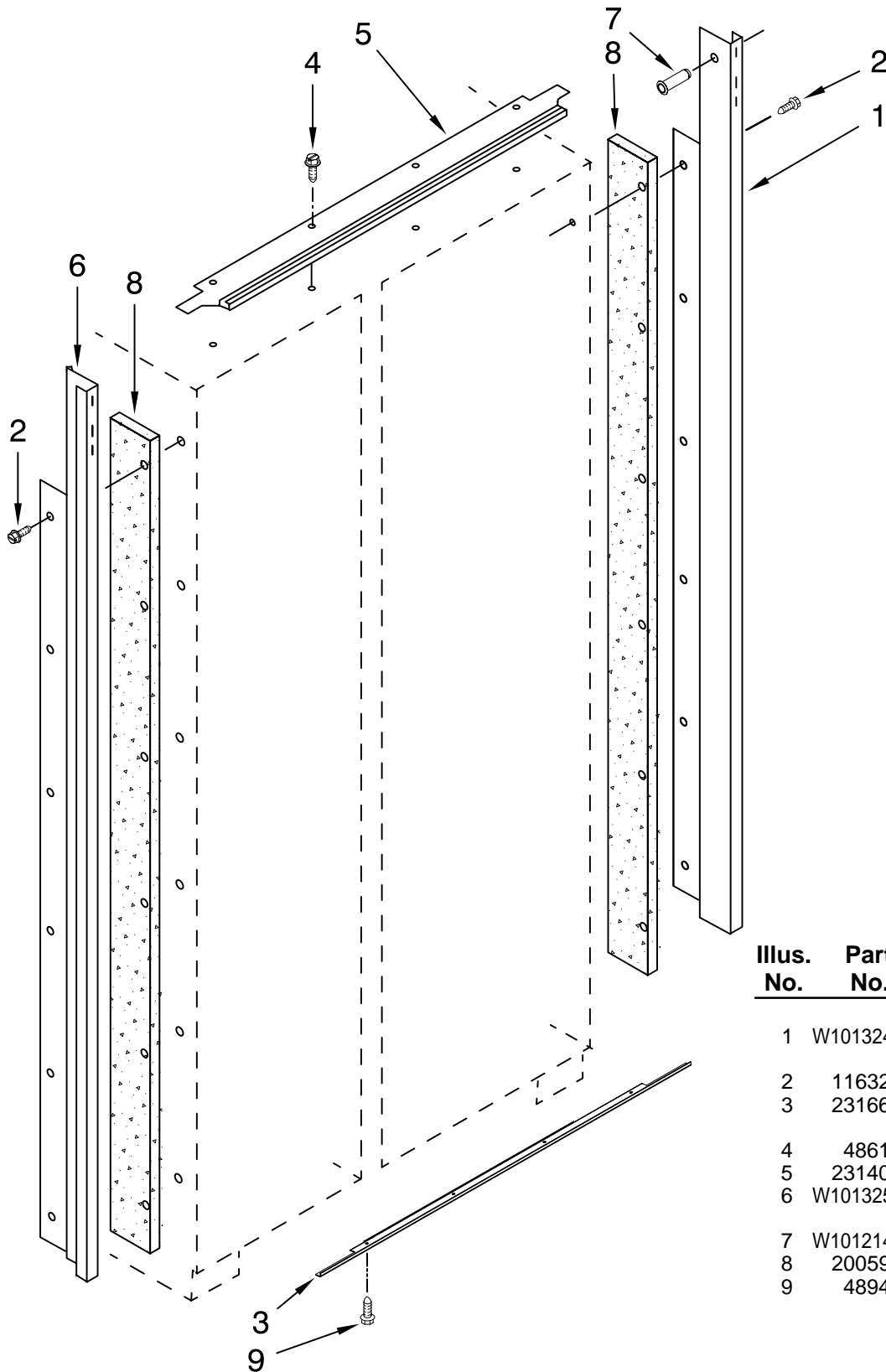
For Model: KSSS42FTX02
(Etched Aluminum)

Illus. No.	Part No.	DESCRIPTION	Illus. No.	Part No.	DESCRIPTION	Illus. No.	Part No.	DESCRIPTION
1		Literature Parts	11	3400525	Screw	29		Extension Arm, Door Closer
	W10161714	Use & Care Guide	12	4396841	Filter, Water		2266882	Right
	W10164075	Energy Guide	13	489399	Screw		2266881	Left
	W10159831	Service & Wiring Sheet	14	3400230	Screw, Door Stop	30		Grille Bottom, Front
	2306337	Icemaker and Ingredient Care Center	15	2257644	Hinge (Top)		2325185B	Black
		Service Sheet	16	2318190	Bracket, Mount (Water Filter)	31	2005921	Screw
	2318069	Main Control	17	489464	Screw	32		Bracket, Support Base (Front)
	2316565	Installation Instructions	18	2004994	Lock, Adjustable Bushing		2006616	Left
2		Cabinet (Not A Serviceable Part)	19	2300082	Bushing		2006556	Right
3	2318189	Tray, Drip Filter	20		Spring, Door Closure	33	1157158	Screw
4	W10138054	Roller, Front & Rear (4)		2221242	Right Side	34	2006617	Bracket, Support Base (Rear) (2)
5		Support, Leveler Assembly	21	486194	Screw	35	2006346	Washer
	2318194	Refrigerator Side	22	2005008	Retaining Ring, Adjustable Bushing	36	2266880	Bushing, Extension Arm
	2318193	Freezer Side	23	W10129069	Wire Clip (5)	37	1163283	Screw
6		Cap, Water Filter	24	2006342	Gap, Cover Assembly (Bottom)	38	8281163	Screw
	2260518B	Black	25		Hinge (Bottom)	39	2260503B	Button, Filter
7	2307640	Mounting Stud, Grille		2006780	Freezer Side	40		Switch, Rocker Arm
8	2307584	Grommet, Crossover Tube		2006779	Refrigerator Side		1118894	Refrigerator Door Side
9	2005783	Cam, Door Closer	26	2302876	Bushing, Adjustable		1115373	Freezer Door Side
10	2260526	Housing, Water Filter	27	8533913	Screw 1/4-20 x 5/8	41	2215938	Cover, Switch (2)
			28		Skirt-Grille, Bottom	42	487415	Screw (2)
				2209025B	Black	43		Bracket, Switch
							2221097	Right
							2221096	Left
						44	2215612	Cover, Rear

FOR ORDERING INFORMATION REFER TO PARTS PRICE LIST

CABINET TRIM PARTS

For Model: KSSS42FTX02
(Etched Aluminum)



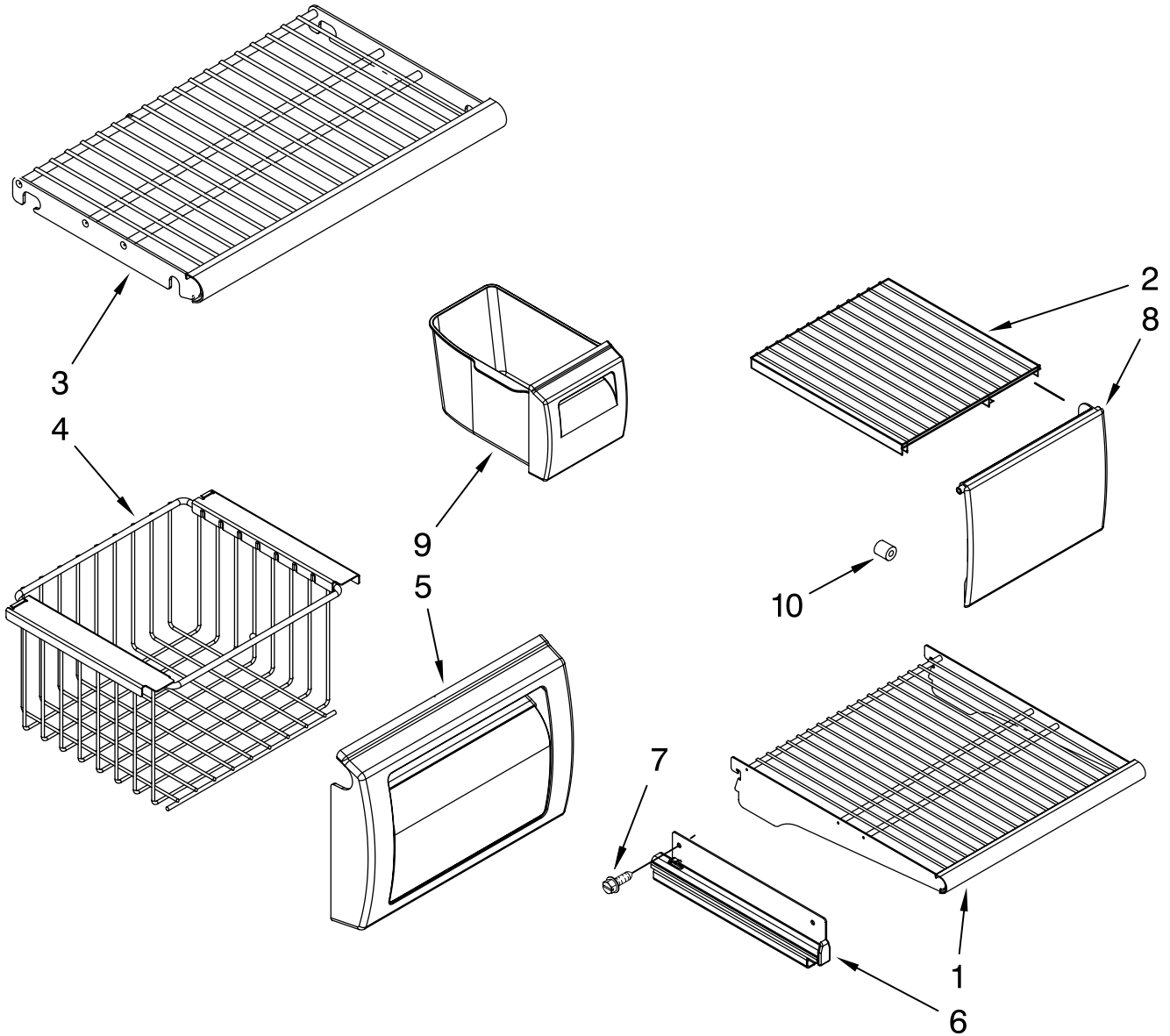
Illus. No.	Part No.	DESCRIPTION
------------	----------	-------------

1	W10132472	Cabinet, Trim (Right Side)
2	1163283	Screw
3	2316687	Cabinet, Trim (Bottom)
4	486194	Screw
5	2314017	Cabinet, Trim Top
6	W10132541	Cabinet Trim (Left Side)
7	W10121451	Nutsert (4)
8	2005925	Seal-Trim, Side
9	489464	Screw

FOR ORDERING INFORMATION REFER TO PARTS PRICE LIST

FREEZER SHELF PARTS

For Model: KSSS42FTX02
(Etched Aluminum)

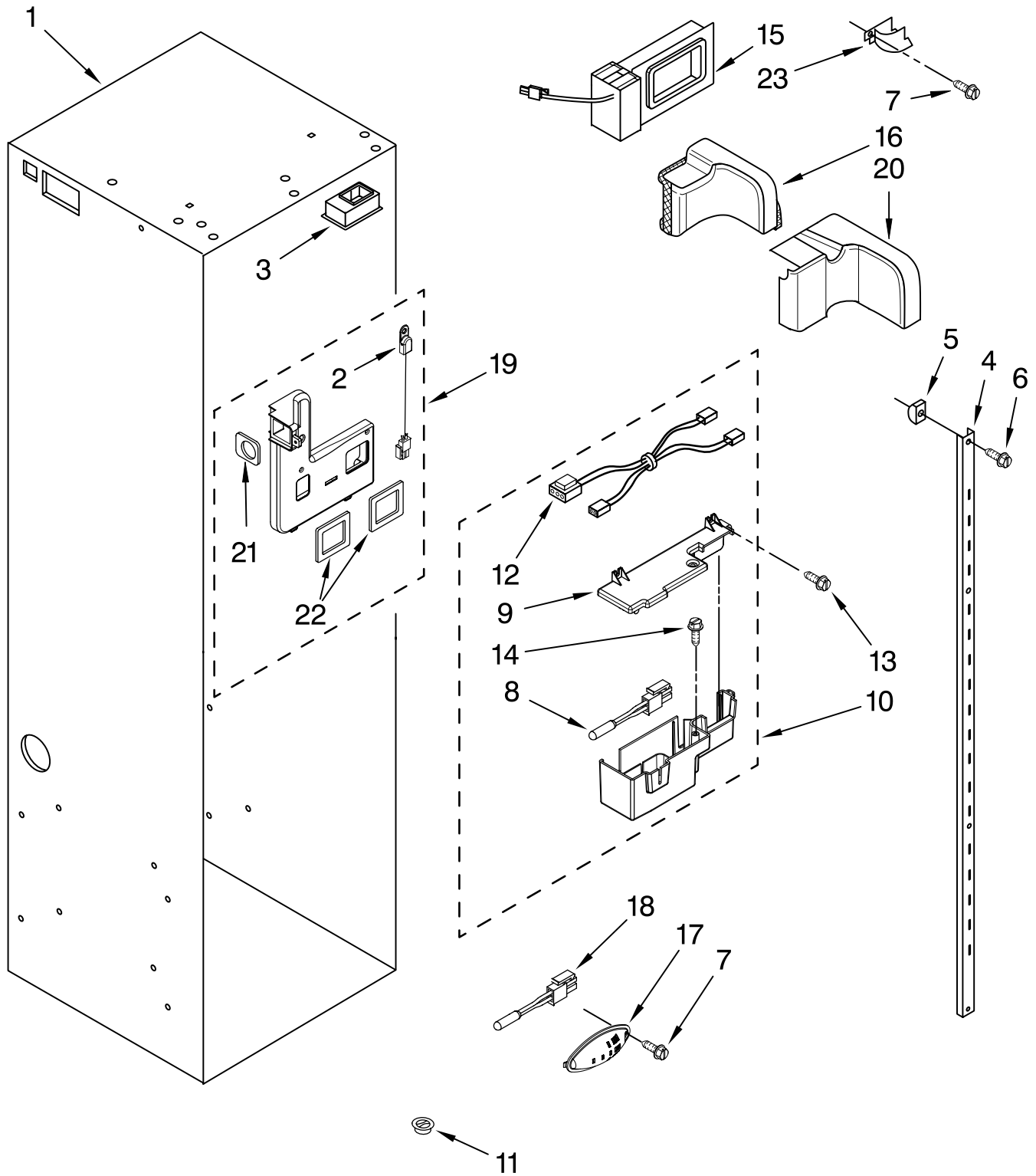


Illus. No.	Part No.	DESCRIPTION
1	2302868	Wire, Shelf (2)
2	2302871	Cover, Shelf
3	2302883	Shelf, Fixed (2)
4	2259082	Basket
5	2256270	Front, Basket
6	2259317	Right Side
	2259318	Left Side
7	8533928	Screw
8	2266934	Door, Ice
9	2266931	Bucket, Ice
10	2266955	Spacer

FOR ORDERING INFORMATION REFER TO PARTS PRICE LIST

REFRIGERATOR LINER PARTS

For Model: KSSS42FTX02
(Etched Aluminum)



FOR ORDERING INFORMATION REFER TO PARTS PRICE LIST

REFRIGERATOR LINER PARTS

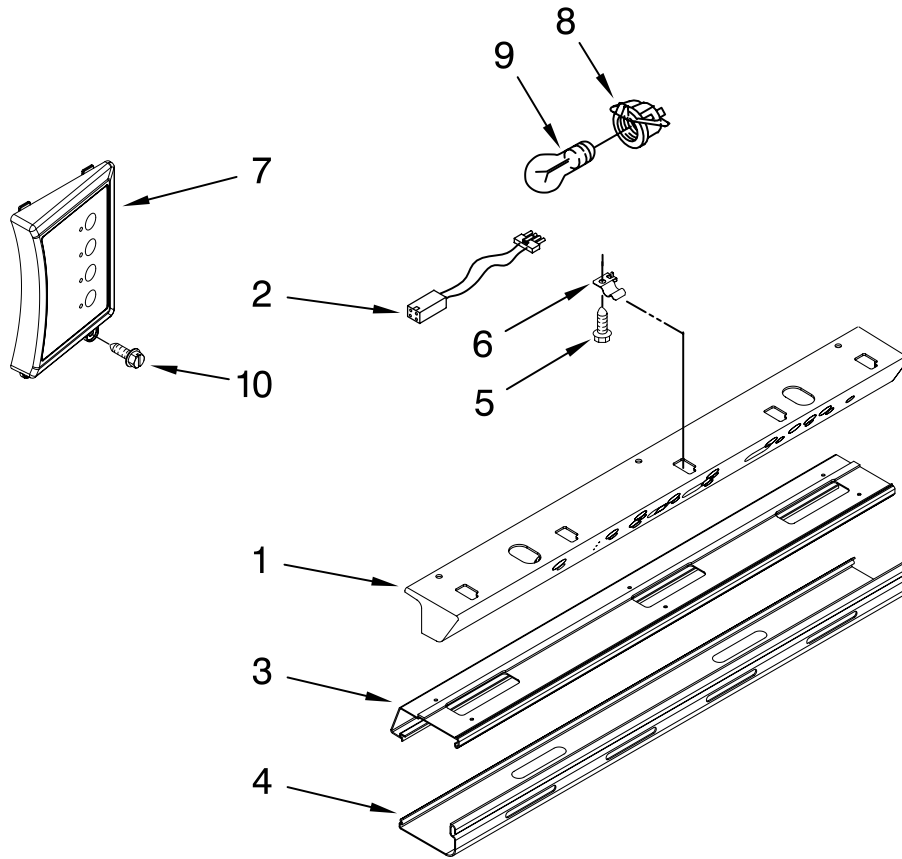
For Model: KSSS42FTX02
(Etched Aluminum)

Illus. No.	Part No.	DESCRIPTION
1		Liner (Not A Serviceable Part)
2	2306010	Thermistor
3	2208970	Air Duct
4	2259077	Ladder, Shelf (2)
5	520965	Screw Support, Ladder (8)
6	2006475	Screw
7	487539	Screw
8	2302937	Thermistor
9	2302986	Lid, Air Baffle
10	W10169528	Baffle, Control Assembly
11	2171846	Release Valve
12	2310205	Jumper, Air Baffle
13	488357	Screw
14	486194	Screw
15	2221296	Air Baffle Assembly
16	2309222	Diffuser Assembly
17	2317105	Cover, Thermistor
18	2188820	Thermistor
19	2302992	Spacer, Air- Baffle
20	2309087	Cover, Diffuser
21	2259412	Seal, Air Duct (Round Hole)
22	2259398	Seal, Air Duct (Square Hole)
23	2003577	Guard, Return Air

FOR ORDERING INFORMATION REFER TO PARTS PRICE LIST

CONTROL PANEL PARTS

For Model: KSSS42FTX02
(Etched Aluminum)

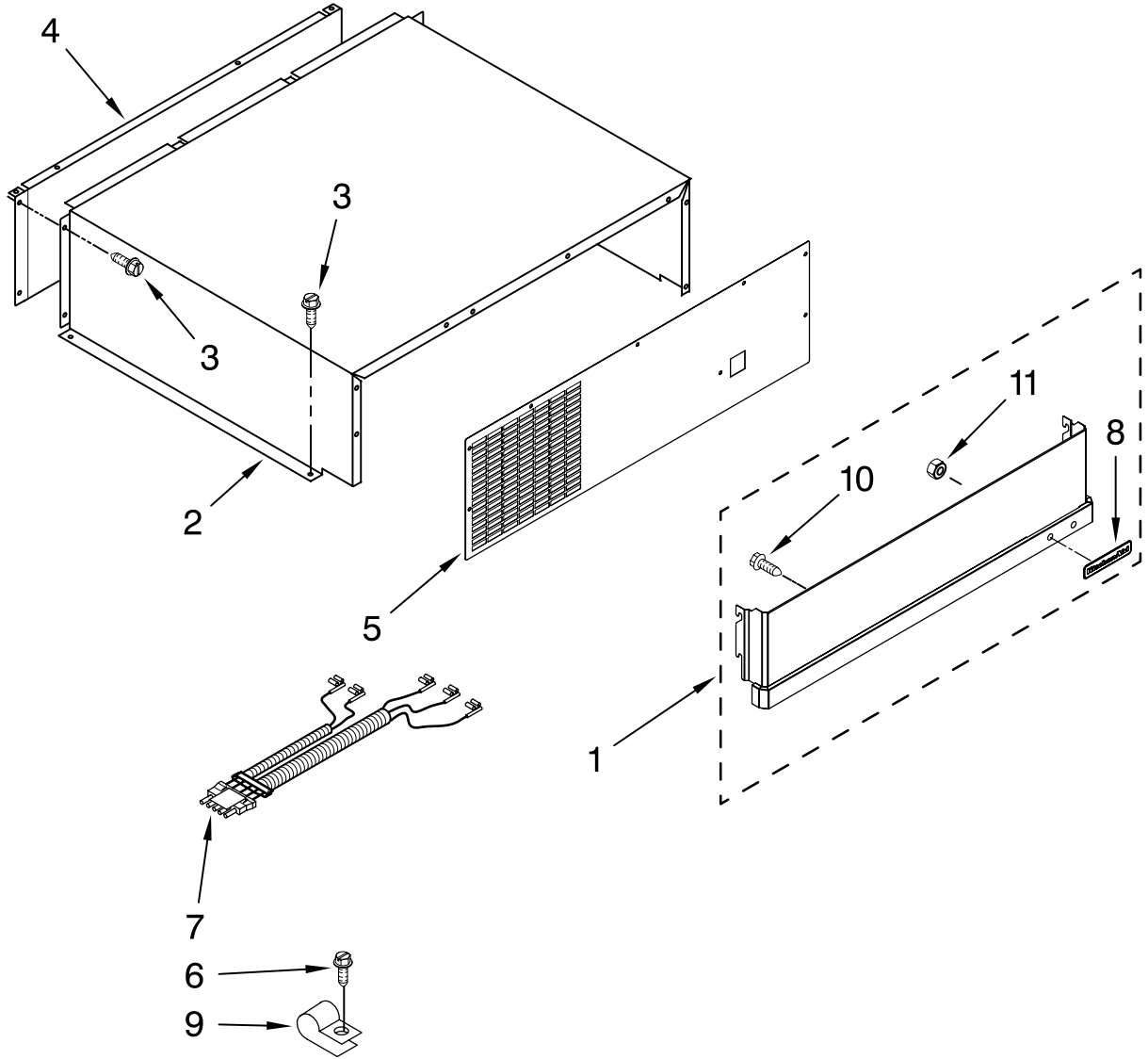


Illus. No.	Part No.	DESCRIPTION
1	2307586	Control Box
2	2310164	Wire, Jumper
3	2307592	Bracket, Control Box
4	2307595	Shield, Light
5	487539	Screw
6	2317000	Clip, Control Box
7	2306086	Display Board, Ingredient Care Center
8	2223857	Socket, Light
9	2326255	Light Bulb
10	8281185	Screw

FOR ORDERING INFORMATION REFER TO PARTS PRICE LIST

TOP GRILLE AND UNIT COVER PARTS

For Model: KSSS42FTX02
(Etched Aluminum)

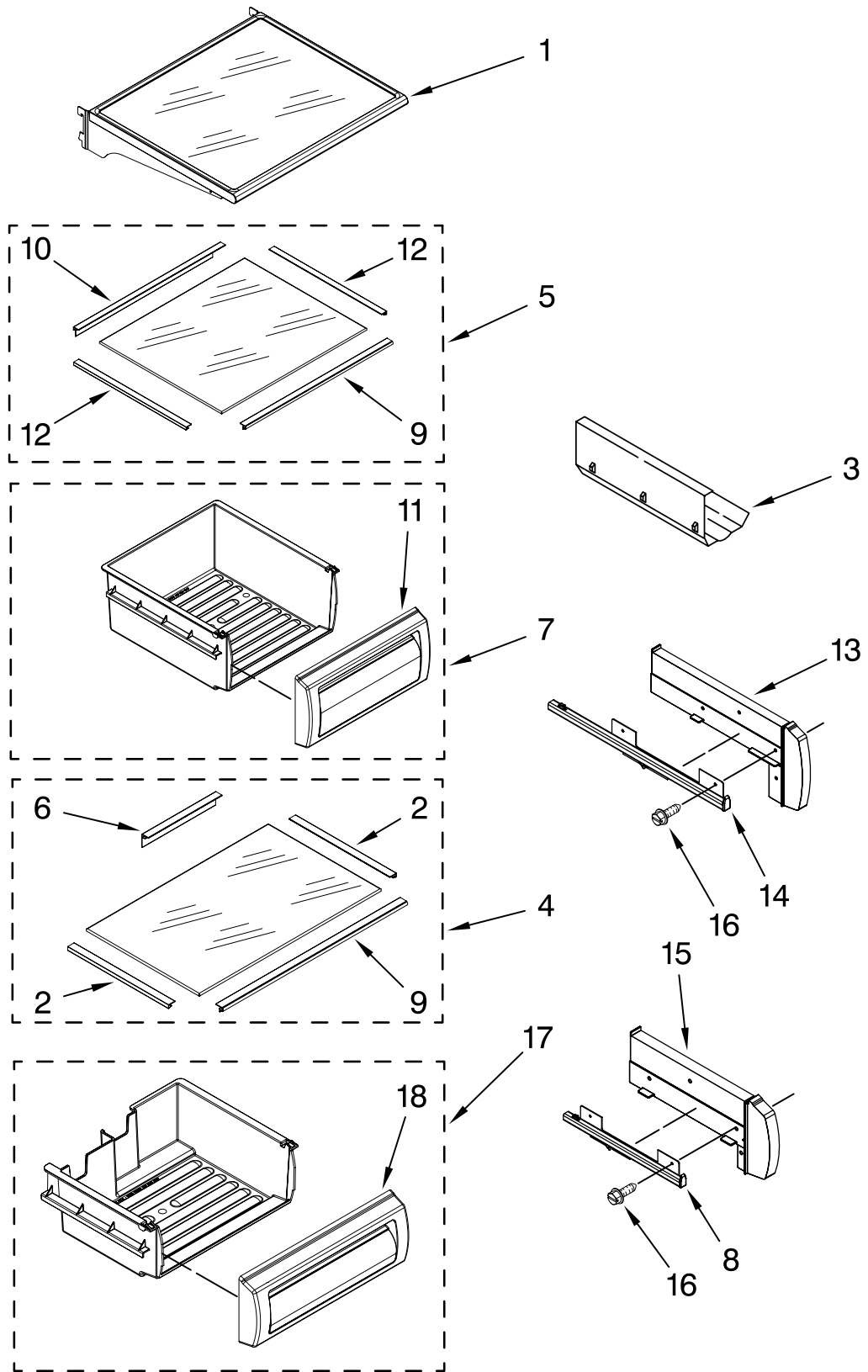


Illus. No.	Part No.	DESCRIPTION
1	2316825S	Top Grille Assy
2	W10161693	Cover, Unit
3	486194	Screw
4	2256466	Back Panel
5	W10121229	Cover, Unit Front
6	487415	Screw
7	2310194	Wire Assembly RC/FC Light Switch
8	2317923S	Nameplate
9	489348	Clamp
10	2003347	Tee Bolt (4)
11	2004333	Nut (2)

FOR ORDERING INFORMATION REFER TO PARTS PRICE LIST

REFRIGERATOR SHELF PARTS

For Model: KSSS42FTX02
(Etched Aluminum)



FOR ORDERING INFORMATION REFER TO PARTS PRICE LIST

REFRIGERATOR SHELF PARTS

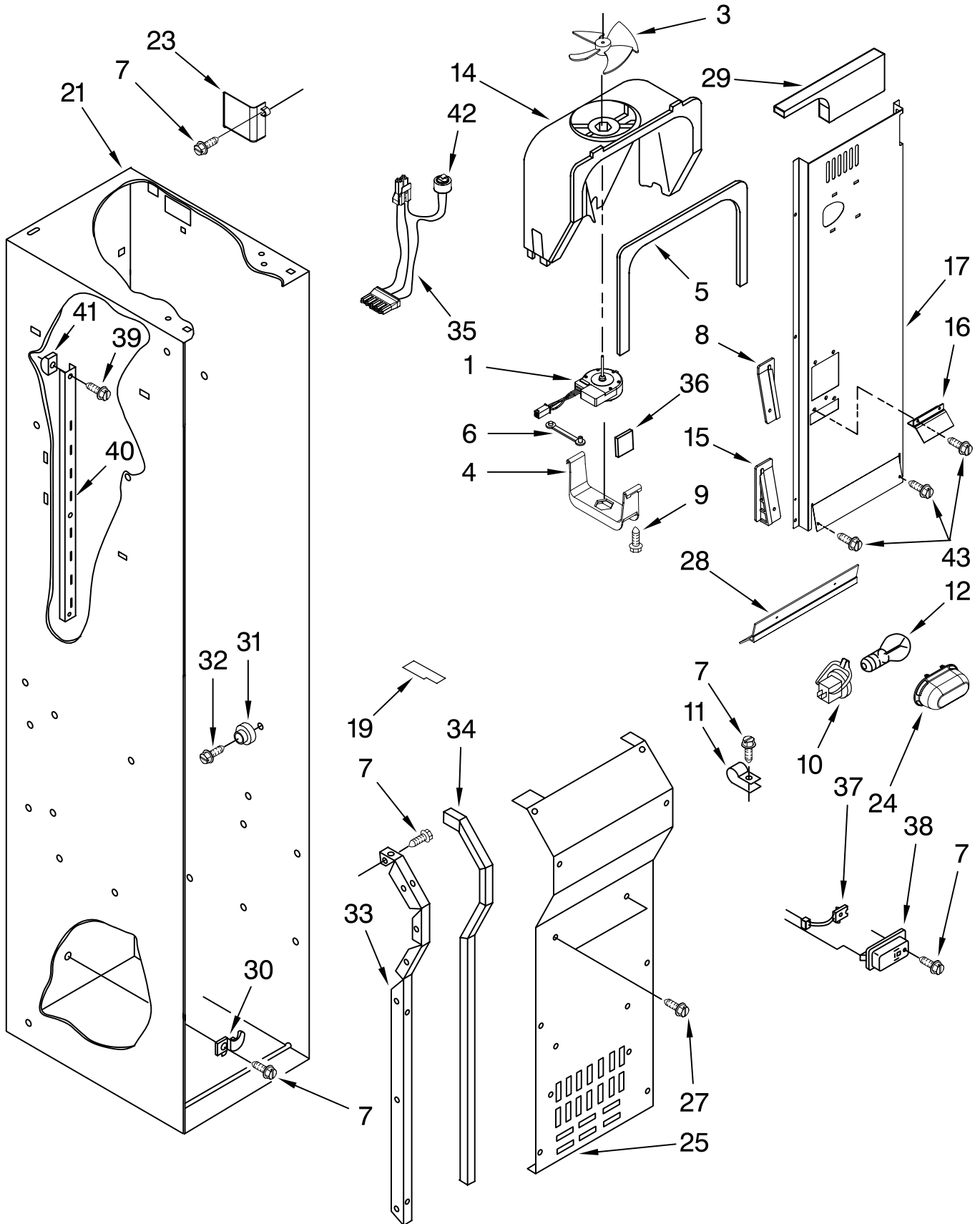
For Model: KSSS42FTX02
(Etched Aluminum)

Illus. No.	Part No.	DESCRIPTION
1	2222592	Shelf Assy (4)
2	2256250	Trim, Glass Side Meat Pan
3	2179404	Rack, Wine
4	2302842	Meat Pan Cover Assembly
5	2302835	Crisper Cover Assembly
6	2257582	Trim, Glass Rear
7	2252412	Crisper Pan (2)
8		Slide, Meat Pan
	2302954	Left Side
	2302955	Right Side
9	2302831	Trim, Glass Front
10	2256254	Trim, Glass Rear
11	2256248	Front, Crisper Pan
12	2252255	Trim, Glass Side
13		Spacer, Crisper
	2256222	Right Side (2)
	2256223	Left Side (2)
14		Slide, Crisper
	2302957	Right Side (2)
	2302956	Left Side (2)
15		Spacer, Meat Pan
	2256243	Left Side
	2256244	Right Side
16	8533929	Screw
17	2256369	Pan Assembly Meat
18	2256366	Front, Meat Pan

FOR ORDERING INFORMATION REFER TO PARTS PRICE LIST

FREEZER LINER AND AIR FLOW PARTS

For Model: KSSS42FTX02
(Etched Aluminum)



FOR ORDERING INFORMATION REFER TO PARTS PRICE LIST

FREEZER LINER AND AIR FLOW PARTS

For Model: KSSS42FTX02
(Etched Aluminum)

Illus. No.	Part No.	DESCRIPTION
1	2259385	Fan Motor
3	2169142	Fan Blade
4	2223733	Retainer, Fan Motor
5	2302817	Gasket, Cover
6	2223986	Grommet
7	486194	Screw
8	2259464	Wedge, Air Duct
9	488500	Screw, Ground
10	2223857	Socket, Light (2)
11	488937	Clamp, Nylon
12	2326255	Light Bulb
14	2182120	Scroll, Fan
15	2259465	Wedge, Air Duct
16	2266801	Deflector, Air
17	2307777	Air Duct
19		Block, Fan Scroll
	2209480	Right
	2209066	Left
21		Liner (Not A Serviceable Part)
23	2259025	Cover, Air Outlet
24	2307751	Light Shield
25	W10158003	Cover, Evaporator
27	8281163	Screw
28	2302850	Support, Air Duct
29	2309283	Deflector, Air Duct
30	1112260	Support, Evaporator
31	2196483	Shelf, Stud (20)
32	8281158	Screw
33		Evaporator, Cover Rail
	2221107	Left Side
	2259355	Right Side
34	2220904	Gasket (2) Evaporator Cover
35	W10139189	Harness, Evap Fan (Includes Item 42)
36	2220241	Insulation (4)
37	2188820	Thermistor
38	2317105	Cover, Thermistor
39	2006475	Screw
40	2259032	Ladder, Shelf
41	2259445	Support, Screw
42	W10160570	Defrost, Bi-Metal
43	8281185	Screw

FOR ORDERING INFORMATION REFER TO PARTS PRICE LIST

REFRIGERATOR DOOR PARTS

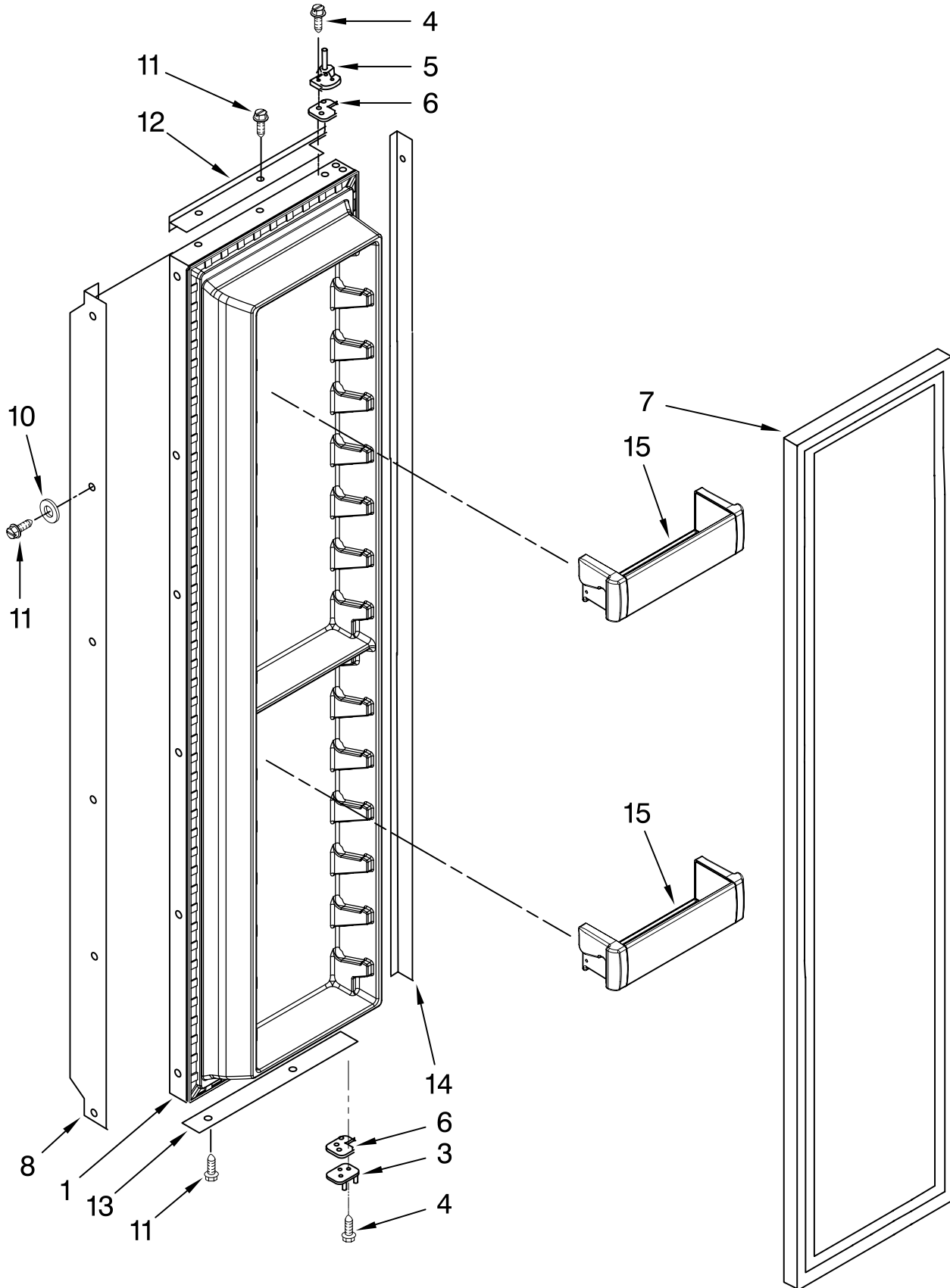
For Model: KSSS42FTX02
(Etched Aluminum)

Illus. No.	Part No.	DESCRIPTION
1	2252330	Refrigerator Door (Includes #9)
3	2266854	Hinge Assembly, Top
4	2316804	Spacer-Door, Top & Bottom
5	489282	Screw
6	2302878	Hinge Assembly, Bottom
7	2222796	Rail, Lid
8	2222982	Gasket, Utility Bin
9	2222811	Door Gasket, Magnetic
10	2001230	Washer
11	2316842S	Handle, Door
13		Screw, 8-15 x .500
	8281250	Stainless Steel
14	2005017	Trim-Door, Top
15	2005969	Trim-Door, Side
16	2215994S	Trim-Door, Bottom
17		End Cap
	2222919	Right Side
	2222920	Left Side
18	2222922	Bin, Utility Center
19	2257616	Door, Utility Bin
20	2222773	Bin, Door (3)
21	2222770	Bin, Door Door

FOR ORDERING INFORMATION REFER TO PARTS PRICE LIST

FREEZER DOOR PARTS

For Model: KSSS42FTX02
(Etched Aluminum)



FOR ORDERING INFORMATION REFER TO PARTS PRICE LIST

FREEZER DOOR PARTS

For Model: KSSS42FTX02
(Etched Aluminum)

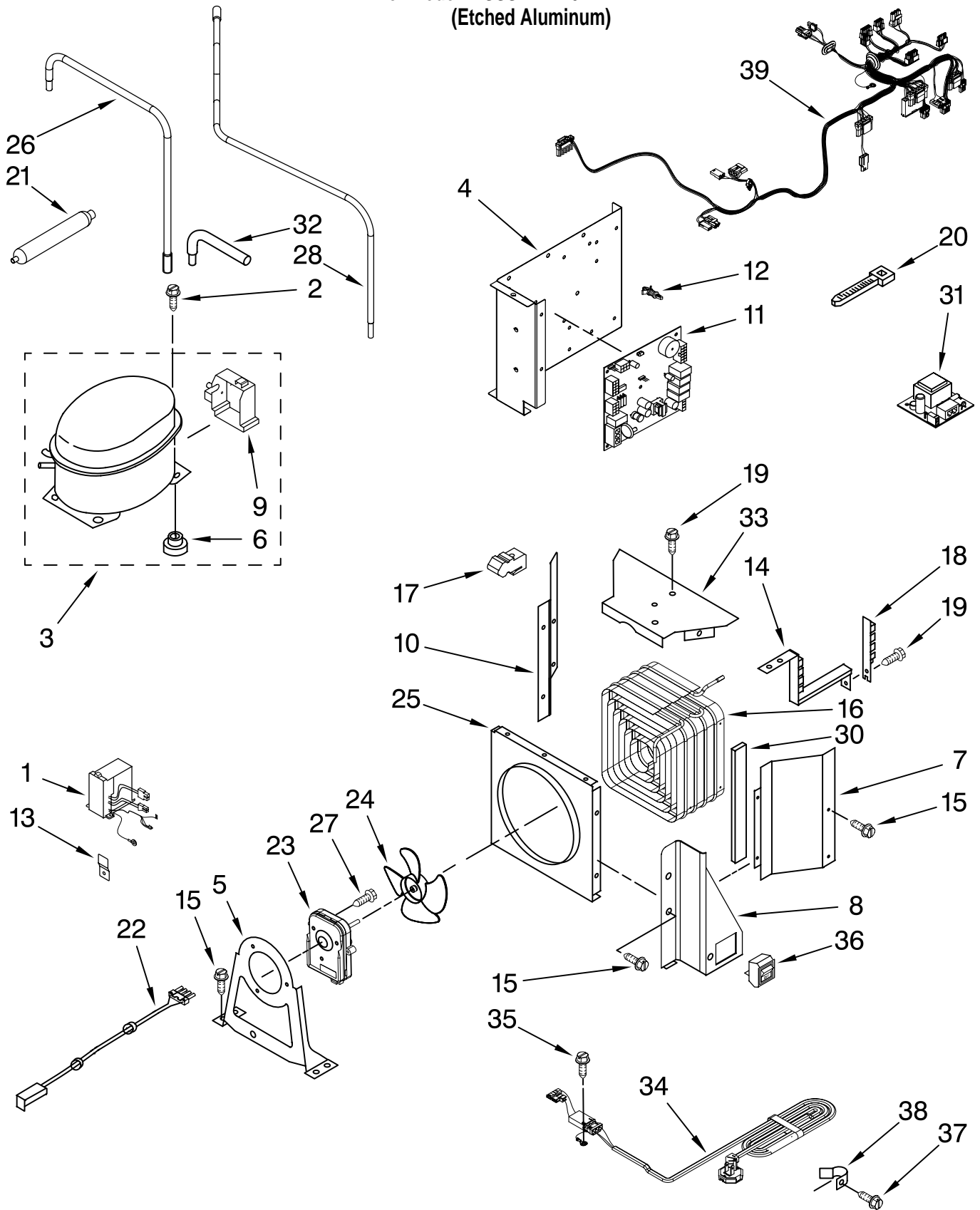
Illus. No.	Part No.	DESCRIPTION
1	2252327	Freezer Door (Includes #14)
3	2302879	Hinge, Bottom
4	489282	Screw
5	2266854	Hinge, Top
6	2316804	Spacer-Door, Top & Bottom
7	2222814	Door Gasket, Magnetic
8	2316844S	Handle, Door
10	2001230	Washer
11		Screw
	8281250	Stainless Steel
12	2005026	Trim-Door, Top
13	2215985S	Trim-Door, Bottom
14	2005964	Trim-Door, Side
15	2222776	Bin, Door (6)

FOR ORDERING INFORMATION REFER TO PARTS PRICE LIST

UPPER UNIT PARTS

For Model: KSSS42FTX02

(Etched Aluminum)



FOR ORDERING INFORMATION REFER TO PARTS PRICE LIST

UPPER UNIT PARTS

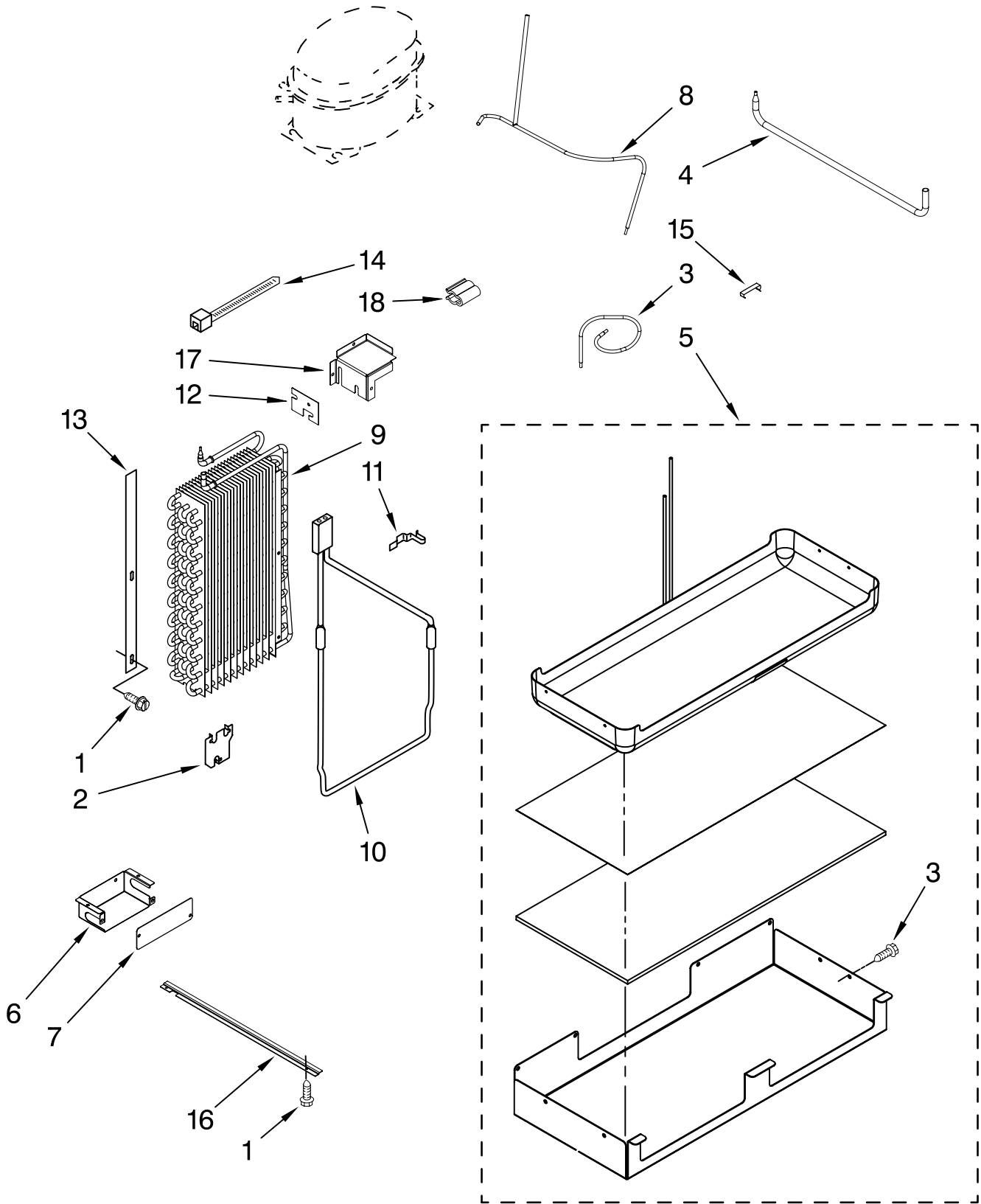
For Model: KSSS42FTX02
(Etched Aluminum)

Illus. No.	Part No.	DESCRIPTION	Illus. No.	Part No.	DESCRIPTION	Illus. No.	Part No.	DESCRIPTION
1	W10133449	Inverter Box	19	488649	Screw	<hr/> Following Parts Not Illustrated and Optional Parts Not Included <hr/>		
2	489373	Screw, Compressor Mounting (4)	20	2155774	Wire Tie			
3	2223393	Compressor (Includes Items 6 & 9)(Also Order 876765 Tube Kit)	21	2317982	Drier			
4	2318087	Housing, Control Board	22	2310207	Wire Assembly (Condenser Fan)			
5	W10136614	Bracket, Fan Motor	23	2188875	Motor, Fan			
6	1100826	Grommet, Mounting	24	W10139483	Blade, Fan			
7	2309002	Support, Condenser (Right)	25	2003169	Orifice, Fan			
8	2307684	Bracket, Switch	26	2307566	Tube, Drier Transition			
9	2215676	Terminal Cover	27	8533993	Screw			
10	2309001	Support, Condenser (Left)	28	2307693	Tube, Heat Loop Transition			
11	W10121049	Control Board	30	2309432	Gasket, Condenser	978025		Valve, Access (1/4")
12	2203075	Spacer (5)	31	2259350	Power Supply, Ingredient Care Center	978026		Valve, Access (5/16")
13	2256328	Bracket, Inverter Box	32	2194319	Process, Tube	978027		Valve, Access (3/8")
14	2317031	Bracket, Vibration Condenser	33	2309000	Cover, Condenser	978028		Valve, Access (1/2")
15	1157158	Screw	34	2310251	Service Cord	978029		Valve, Access (5/8")
16	2307998	Condenser	35	486194	Screw	978030		Valve, Access (3/4")
17	2309431	Grommet (4)	36	2266802	Switch, Power Disconnect	876764		Valve, Access (3/16")
18	2317030	Arm, Vibration Condenser	37	487294	Screw, Ground	<hr/> REFRIGERANT CHARGE <hr/> 7.50 oz. (R-134A)		
			38	549193	Clamp, Cord			
			39	2310294	Wiring Harness, Unit Compartment			

FOR ORDERING INFORMATION REFER TO PARTS PRICE LIST

LOWER UNIT AND TUBE PARTS

For Model: KSSS42FTX02
(Etched Aluminum)



FOR ORDERING INFORMATION REFER TO PARTS PRICE LIST

LOWER UNIT AND TUBE PARTS

For Model: KSSS42FTX02
(Etched Aluminum)

Illus. No.	Part No.	DESCRIPTION
1	486194	Screw
2	W10157752	Bracket
3	2309076	Suction Tube
4	2309070	Tube, Connect (Drier/Restrictor)
5	2320615	Drain Pan Assembly
6	W10151288	Cover, Wiring
7	W10153595	Cover, Box
8	W10121371	Tube, Discharge
9	2306093	Evaporator
10	W10140161	Heater, Defrost
11	1113048	Clamp, Heater (2)
12	W10139908	Cover Seal, Evaporator Tubes
13	2220832	Gasket, Evaporator
14	4389107	Wire Tie
15	W10169509	Clip, Heat Exchanger
16	2320554	Support, Drain Pan
17	W10160981	Bracket Assembly, Air Return
18	9791833	Clip

FOR ORDERING INFORMATION REFER TO PARTS PRICE LIST

