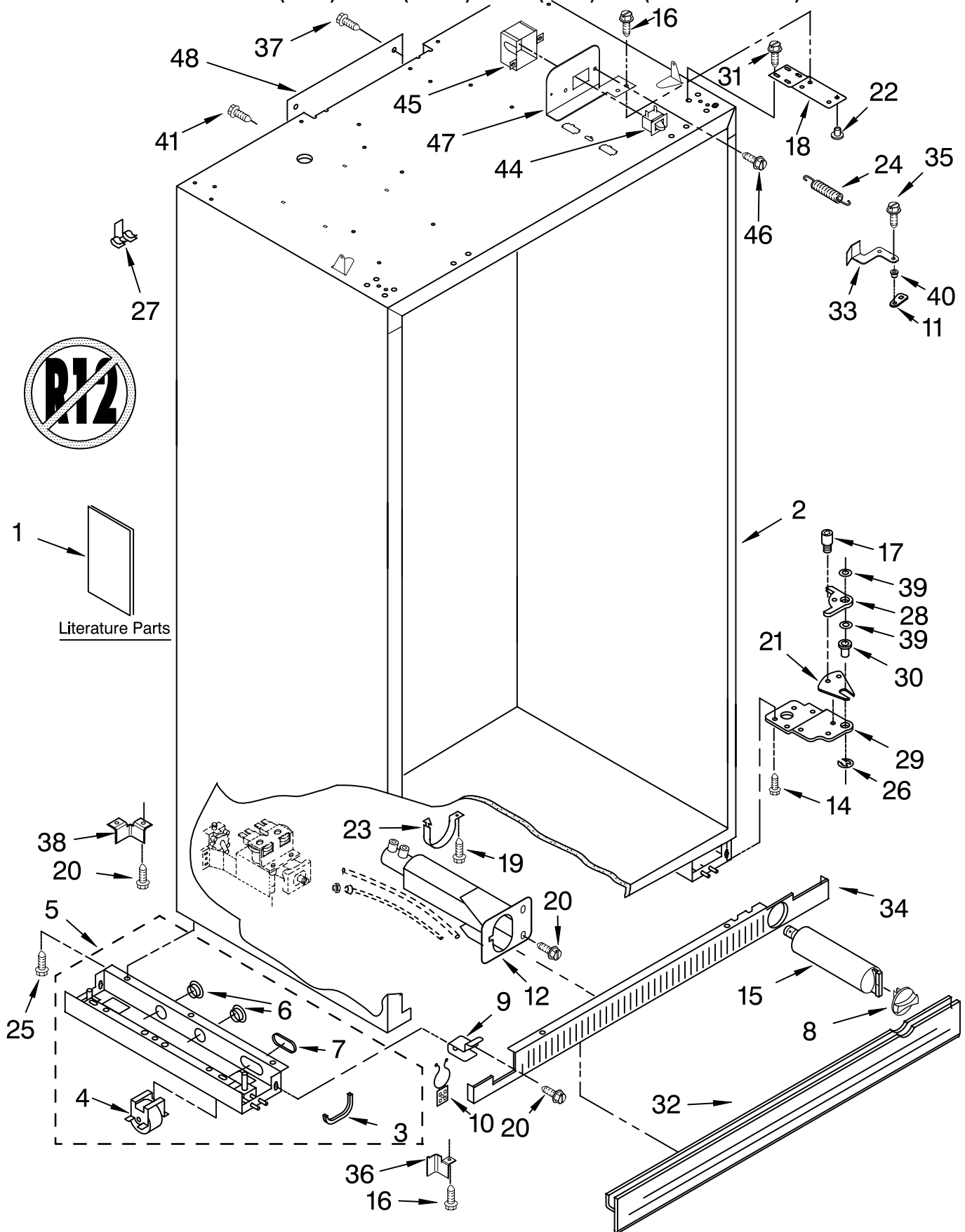


KitchenAid®

CABINET PARTS

For Models: KSSS42FKB01, KSSS42FKT01, KSSS42FKW01, KSSS42FKX01
(Black) (Biscuit) (White) (Etched Aluminum)

42" BUILT IN
REFRIGERATOR



CABINET PARTS

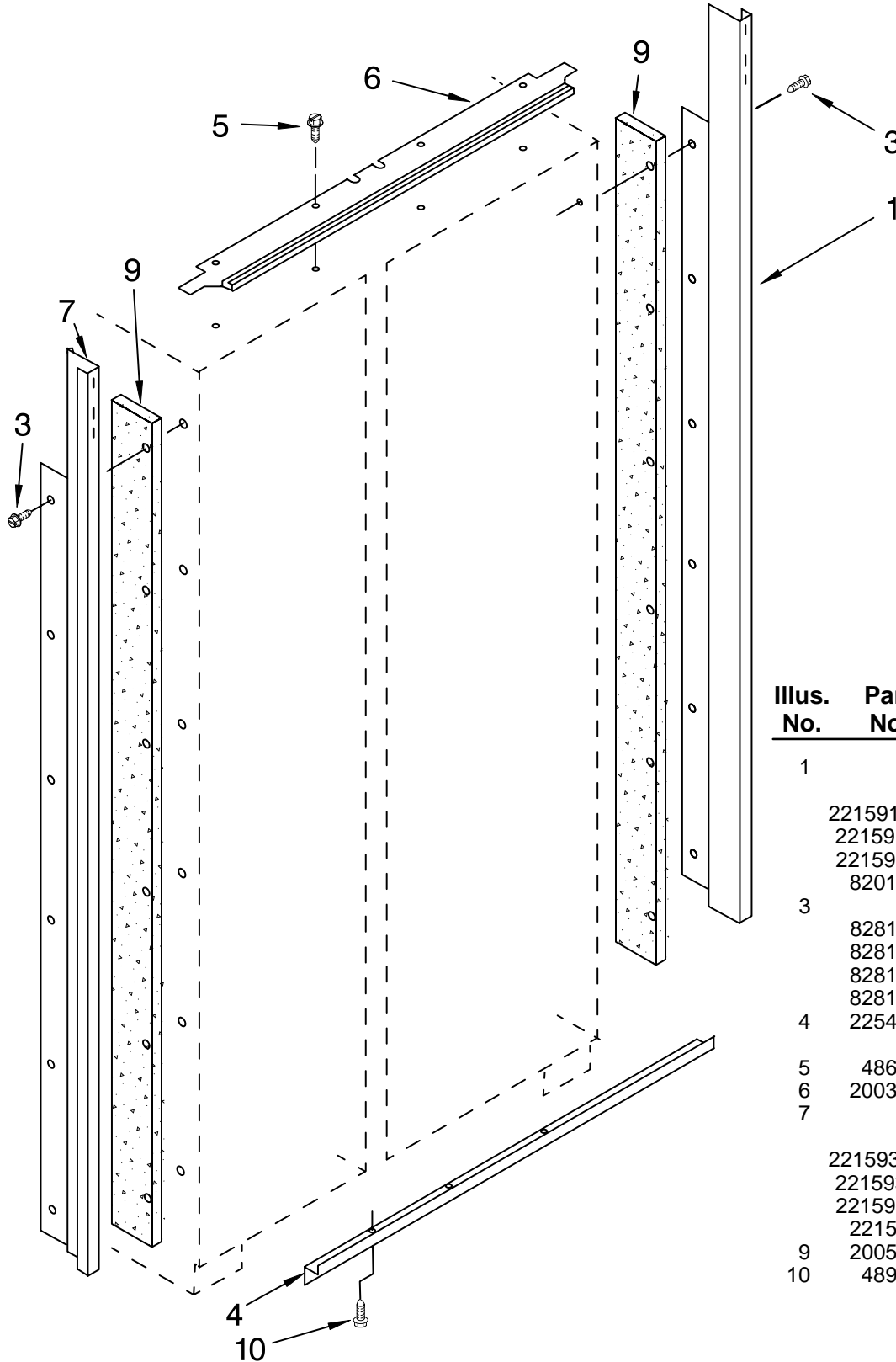
For Models: KSSS42FKB01, KSSS42FKT01, KSSS42FKW01, KSSS42FKX01
 (Black) (Biscuit) (White) (Etched Aluminum)

| Illus. No. | Part No. | DESCRIPTION | Illus. No. | Part No. | DESCRIPTION | Illus. No. | Part No. | DESCRIPTION |
|------------|------------|----------------------------------|------------|----------|------------------------------------|------------|----------|----------------------------------|
| 1 | | Literature Parts | 14 | 3400525 | Screw | 33 | | Extension Arm, Door Closer |
| | LIT2254714 | Use & Care Guide | 15 | 2203221 | Filter, Water | | 2221095 | Right |
| | LIT2221225 | Energy Label | 16 | 489399 | Screw | | 2221094 | Left |
| | LIT2254722 | Service & Wiring Sheet | 17 | 2005378 | Screw, Door Stop | 34 | | Grille Bottom, Front |
| | LIT628370 | Modular Icemaker Service Sheet | 18 | 2221134 | Hinge (Top) | | 2209428W | White |
| | LIT2215852 | Installation Instructions | 19 | 489478 | Screw | | 2209428B | Black |
| | | | 20 | 489464 | Screw | | 2209428T | Biscuit |
| | | | 21 | 2004994 | Lock, Adjustable Bushing | 35 | 2005921 | Screw |
| 2 | | Cabinet (Not A Serviceable Part) | 22 | 2002903 | Bushing | 36 | | Bracket, Support Base (Front) |
| 3 | 2005004 | Grommet, Tube Crossover | 23 | 2209090 | Clamp, Filter Housing | | 2006616 | Left |
| 4 | 1112023 | Roller, Front & Rear (4) | 24 | 2004517 | Spring, Door Closure (2) | | 2006556 | Right |
| 5 | | Support, Leveler Assembly | 25 | 486194 | Screw | 37 | 1157158 | Screw |
| | 2004506 | Refrigerator Side | 26 | 2005008 | Retaining Ring, Adjustable Bushing | 38 | 2006617 | Bracket, Support Base (Rear) (2) |
| | 2004505 | Freezer Side | 27 | 1113227 | Fastener (3) | 39 | 2006346 | Washer |
| 6 | 2005006 | Grommet, Wiring | 28 | 2006342 | Gap, Cover Assembly (Bottom) | 40 | 2006960 | Bushing, Extension Arm |
| 7 | 2005007 | Grommet, Flexible | 29 | | Hinge (Bottom) | 41 | 1163283 | Screw |
| 8 | | Cap, Water Filter | | 2006780 | Freezer Side | 44 | | Switch, Rocker Arm |
| | 2186494W | White | 30 | 2004992 | Bushing, Adjustable | | 1118894 | Refrigerator Door Side |
| | 2186494B | Black | 31 | 2001415 | Screw | | 1115373 | Freezer Door Side |
| | 2186494T | Biscuit | 32 | | Skirt-Grille, Bottom | 45 | 2215938 | Cover, Switch (2) |
| 9 | 2006442 | Mounting Stud, Grill | | 2209025W | White | 46 | 487415 | Screw (4) |
| 10 | 2005237 | Clip, Wire | | 2209025B | Black | 47 | | Bracket, Cover |
| 11 | 2005783 | Cam, Door Closer | | 2209025T | Biscuit | | 2221097 | Right |
| 12 | 2209022 | Housing, Water Filter | | | | | 2221096 | Left |
| | | | | | | 48 | 2209449 | Cover, Rear |

FOR ORDERING INFORMATION REFER TO PARTS PRICE LIST

CABINET TRIM PARTS

For Models: KSSS42FKB01, KSSS42FKT01, KSSS42FKW01, KSSS42FKX01
 (Black) (Biscuit) (White) (Etched Aluminum)

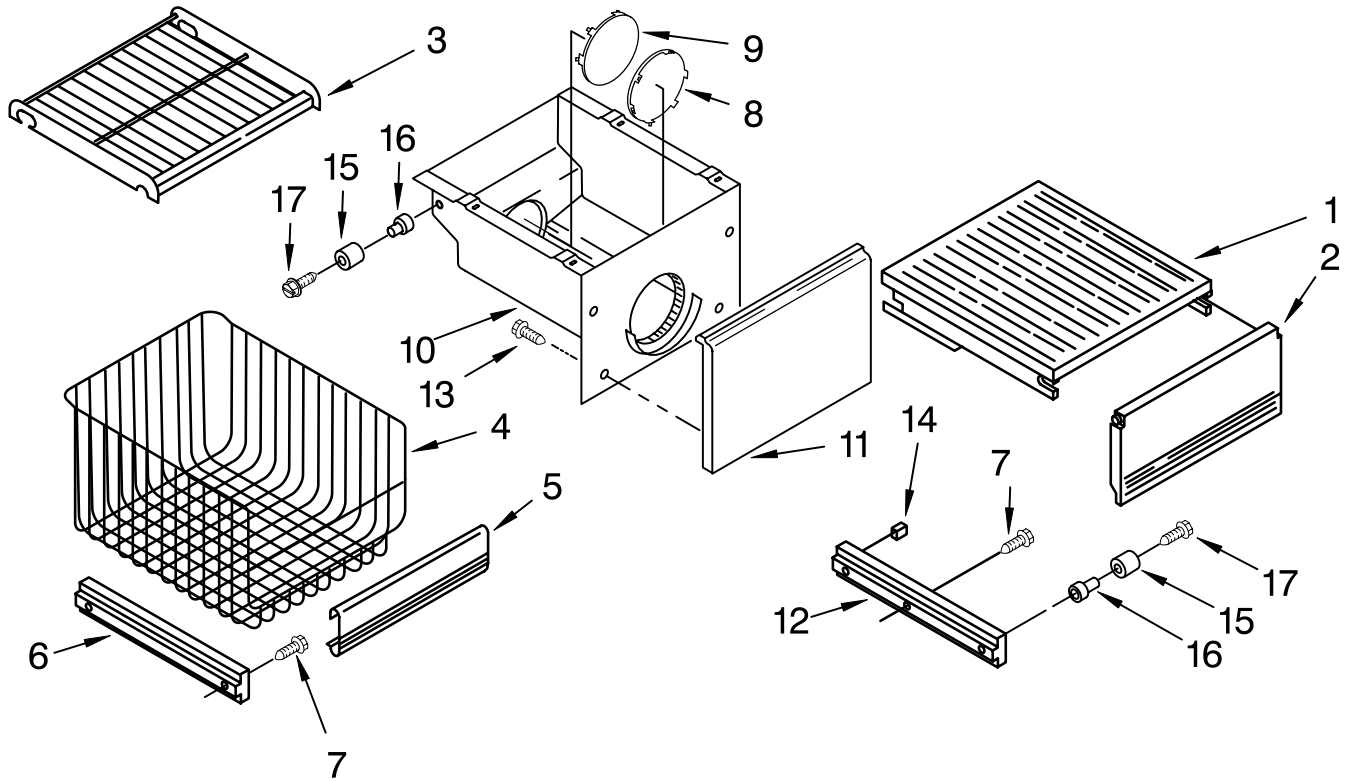


| Illus. No. | Part No. | DESCRIPTION |
|------------|----------|----------------------------|
| 1 | | Cabinet, Trim (Right Side) |
| | 2215919W | White |
| | 2215919B | Black |
| | 2215919T | Biscuit |
| | 8201535 | Etched Aluminum |
| 3 | | Screw |
| | 8281251 | White |
| | 8281252 | Black |
| | 8281253 | Biscuit |
| | 8281250 | Stainless Steel |
| 4 | 2254725 | Cabinet, Trim (Bottom) |
| 5 | 486194 | Screw |
| 6 | 2003646 | Cabinet, Trim Top |
| 7 | | Cabinet Trim (Left Side) |
| | 2215936W | White |
| | 2215936B | Black |
| | 2215936T | Biscuit |
| | 2215936 | Etched Aluminum |
| 9 | 2005925 | Seal-Trim, Side |
| 10 | 489464 | Screw |

FOR ORDERING INFORMATION REFER TO PARTS PRICE LIST

FREEZER SHELF PARTS

For Models: KSSS42FKB01, KSSS42FKT01, KSSS42FKW01, KSSS42FKX01
 (Black) (Biscuit) (White) (Etched Aluminum)

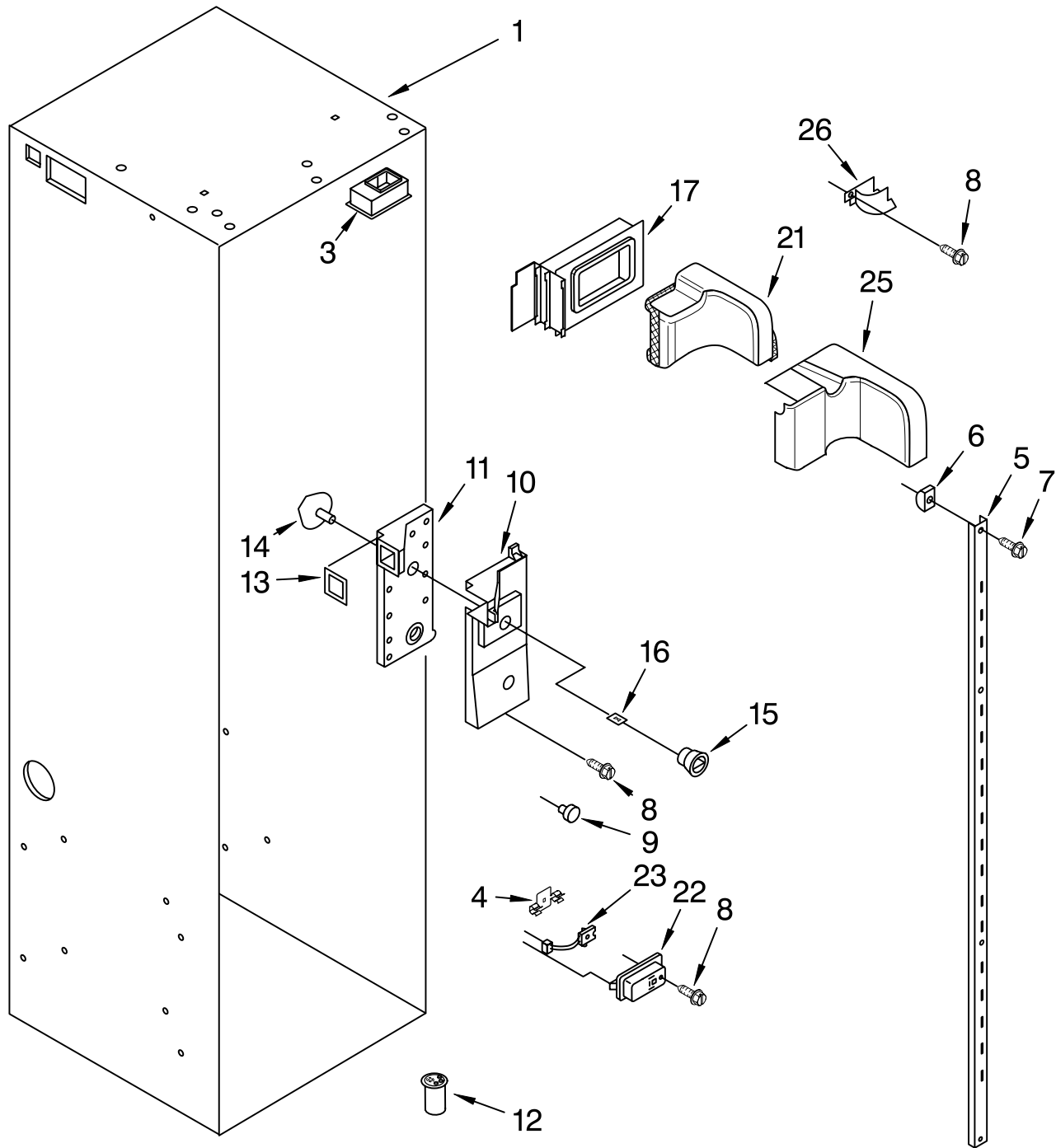


| Illus. No. | Part No. | DESCRIPTION |
|------------|----------|---------------------------|
| 1 | 2220890 | Solid Shelf |
| 2 | 2220847 | Front, Ice Compartment |
| 3 | 1113637 | Shelf, Fixed (2) |
| | 1113565 | Shelf, Deep |
| 4 | 2208194 | Basket |
| 5 | 2220844 | Trim, Basket |
| 6 | 2208198 | Right Side |
| | 2208197 | Left Side |
| 7 | 486194 | Screw |
| 8 | 2003046 | Hole Plug, Front |
| 9 | 2003047 | Hole Plug, Rear |
| 10 | 2208907 | Ice Container |
| 11 | 2003044 | Front Cover |
| 12 | 2002720 | Slide, Container |
| | 2002721 | Right Side |
| | 2002721 | Left Side |
| 13 | 488886 | Screw |
| 14 | 1113169 | Stop, Roller |
| 15 | 2188212 | Roller |
| 16 | 2174478 | Eyelet, Roller |
| 17 | 2003478 | Screw |

FOR ORDERING INFORMATION REFER TO PARTS PRICE LIST

REFRIGERATOR LINER PARTS

For Models: KSSS42FKB01, KSSS42FKT01, KSSS42FKW01, KSSS42FKX01
(Black) (Biscuit) (White) (Etched Aluminum)



FOR ORDERING INFORMATION REFER TO PARTS PRICE LIST

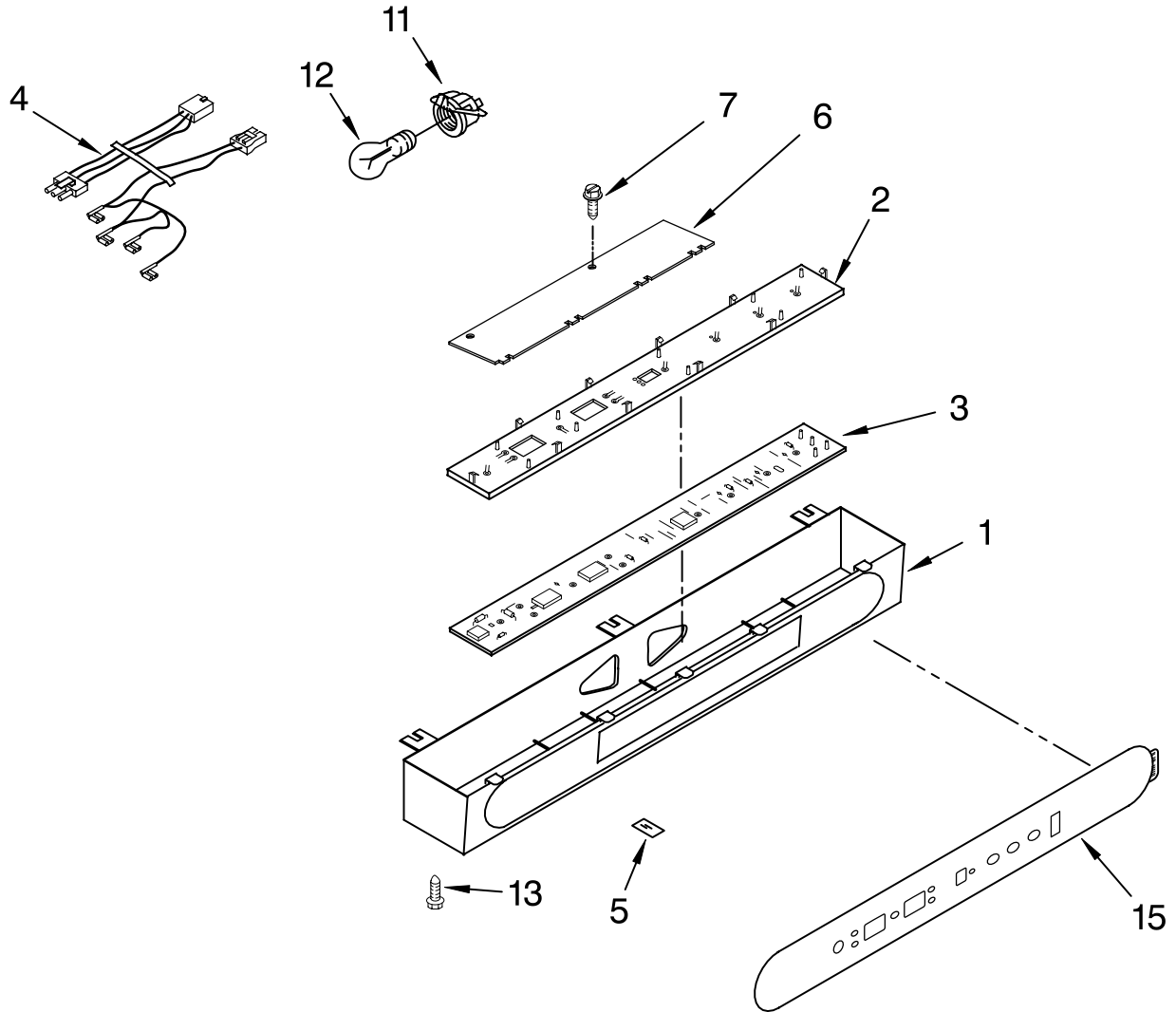
REFRIGERATOR LINER PARTS

For Models: KSSS42FKB01, KSSS42FKT01, KSSS42FKW01, KSSS42FKX01
 (Black) (Biscuit) (White) (Etched Aluminum)

| Illus. No. | Part No. | DESCRIPTION |
|-------------------|-----------------|--------------------------------|
| 1 | | Liner (Not A Serviceable Part) |
| 3 | 2208970 | Air Duct |
| 4 | 2209204 | Clip, Thermistor |
| 5 | 2221211 | Ladder, Shelf (2) |
| 6 | 520965 | Screw Support, Ladder (8) |
| 7 | 2006475 | Screw |
| 8 | 486194 | Screw |
| 9 | 1112257 | Hole Plug |
| 10 | 2220888 | Meat Pan, Air Duct Cover |
| 11 | 2000337 | Meat Pan, Air Duct |
| 12 | 2220993 | Release Valve |
| 13 | 2221175 | Seal, Air Duct |
| 14 | 1112218 | Damper Control, Meat Pan |
| 15 | 2003811 | Control Knob, Meat Pan |
| 16 | 2003841 | Retainer, Knob |
| 17 | 2221296 | Air Baffle Assembly |
| 21 | 2208997 | Diffuser Assembly |
| 22 | 1116793 | Cover, Thermistor |
| 23 | 2213442 | Thermistor |
| 25 | 2215728 | Cover, Diffuser |
| 26 | 2003577 | Guard, Air Return |

CONTROL PANEL PARTS

For Models: KSSS42FKB01, KSSS42FKT01, KSSS42FKW01, KSSS42FKX01
 (Black) (Biscuit) (White) (Etched Aluminum)

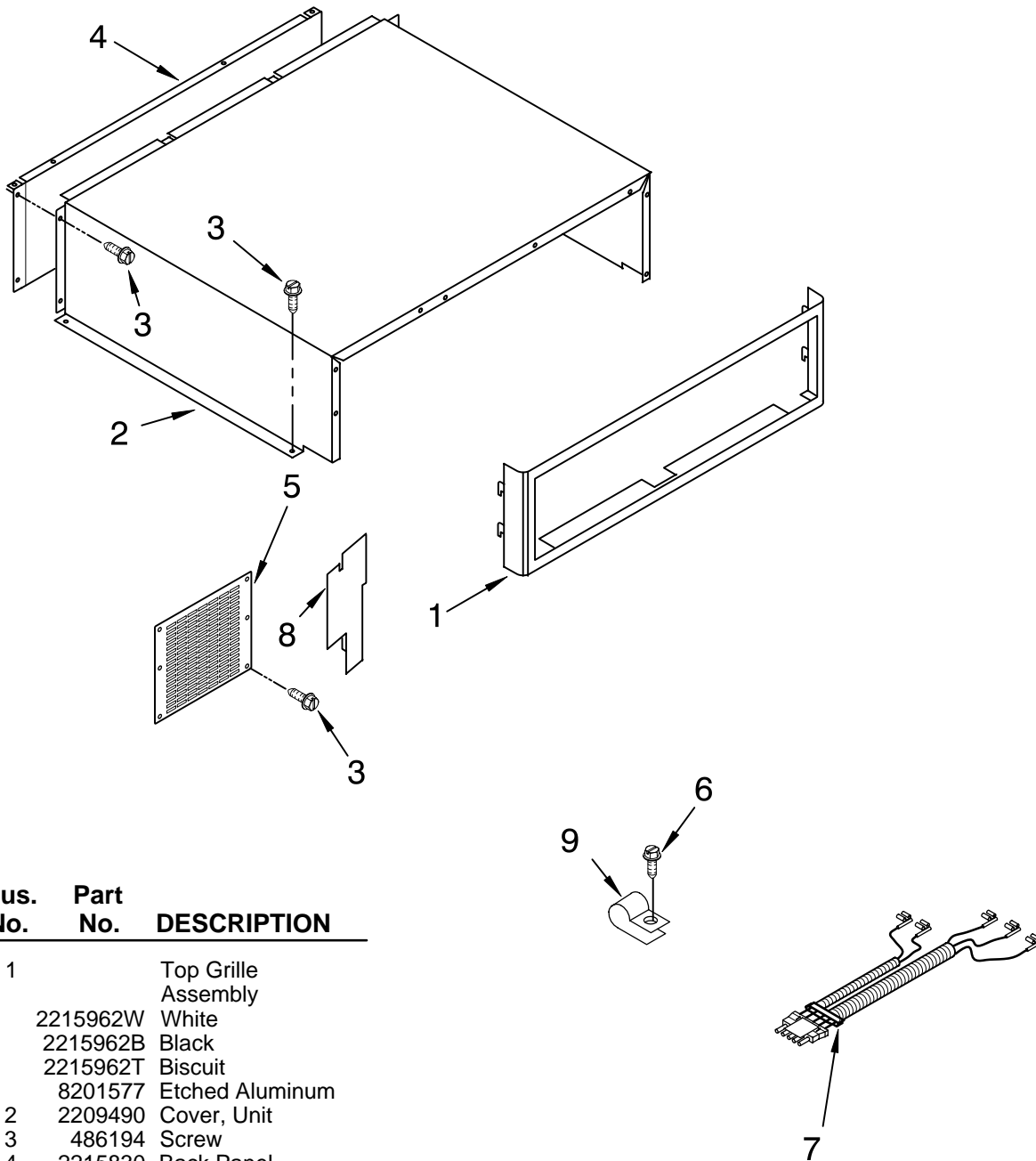


| Illus. No. | Part No. | DESCRIPTION |
|------------|----------|--------------------------------|
| 1 | 2215716 | Control Box |
| 2 | 2215670 | Insert, Control Box |
| 3 | 2209159 | Circuit Board, Housing Control |
| 4 | 2187424 | Control Box Wire Harness |
| 5 | 2003841 | Retainer, Knob |
| 6 | 2221121 | Support, Control Box |
| 7 | 489006 | Screw (2) |
| 11 | 2162085 | Socket, Light (2) |
| 12 | 2160708 | Light Bulb (2) |
| 13 | 486194 | Screw |
| 15 | 2221066 | Overlay |

FOR ORDERING INFORMATION REFER TO PARTS PRICE LIST

TOP GRILLE AND UNIT COVER PARTS

For Models: KSSS42FKB01, KSSS42FKT01, KSSS42FKW01, KSSS42FKX01
 (Black) (Biscuit) (White) (Etched Aluminum)

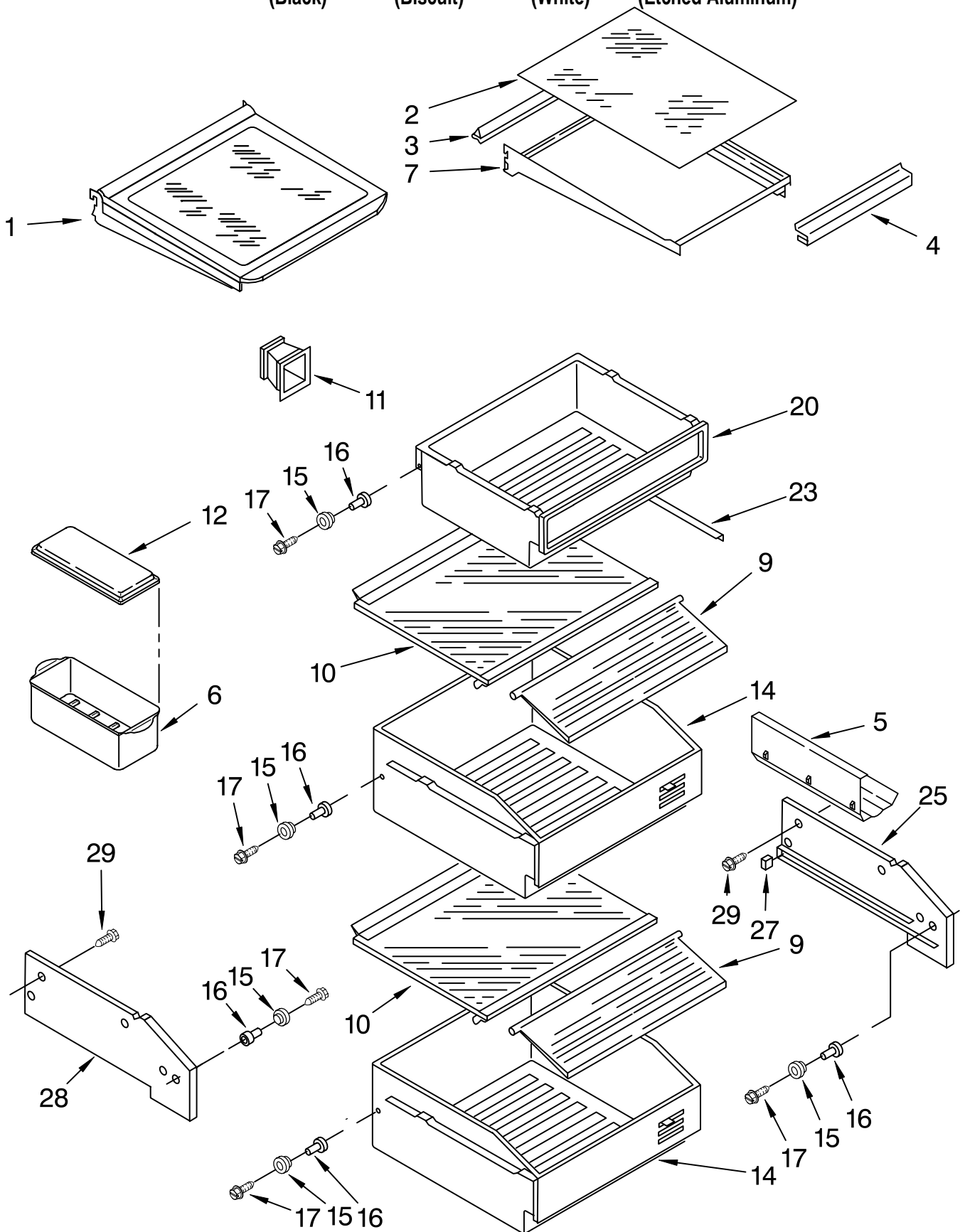


| Illus. No. | Part No. | DESCRIPTION |
|------------|----------|-------------------------------------|
| 1 | | Top Grille Assembly |
| | 2215962W | White |
| | 2215962B | Black |
| | 2215962T | Biscuit |
| | 8201577 | Etched Aluminum |
| 2 | 2209490 | Cover, Unit |
| 3 | 486194 | Screw |
| 4 | 2215830 | Back Panel |
| 5 | 2209492 | Guard, Wiring |
| 6 | 487415 | Screw |
| 7 | 2187429 | Wire Assembly RC/FC Light Switch |
| 8 | 2006440 | Baffle-Air, Condenser |
| 9 | 489348 | Screw |

FOR ORDERING INFORMATION REFER TO PARTS PRICE LIST

REFRIGERATOR SHELF PARTS

For Models: KSSS42FKB01, KSSS42FKT01, KSSS42FKW01, KSSS42FKX01
(Black) (Biscuit) (White) (Etched Aluminum)



FOR ORDERING INFORMATION REFER TO PARTS PRICE LIST

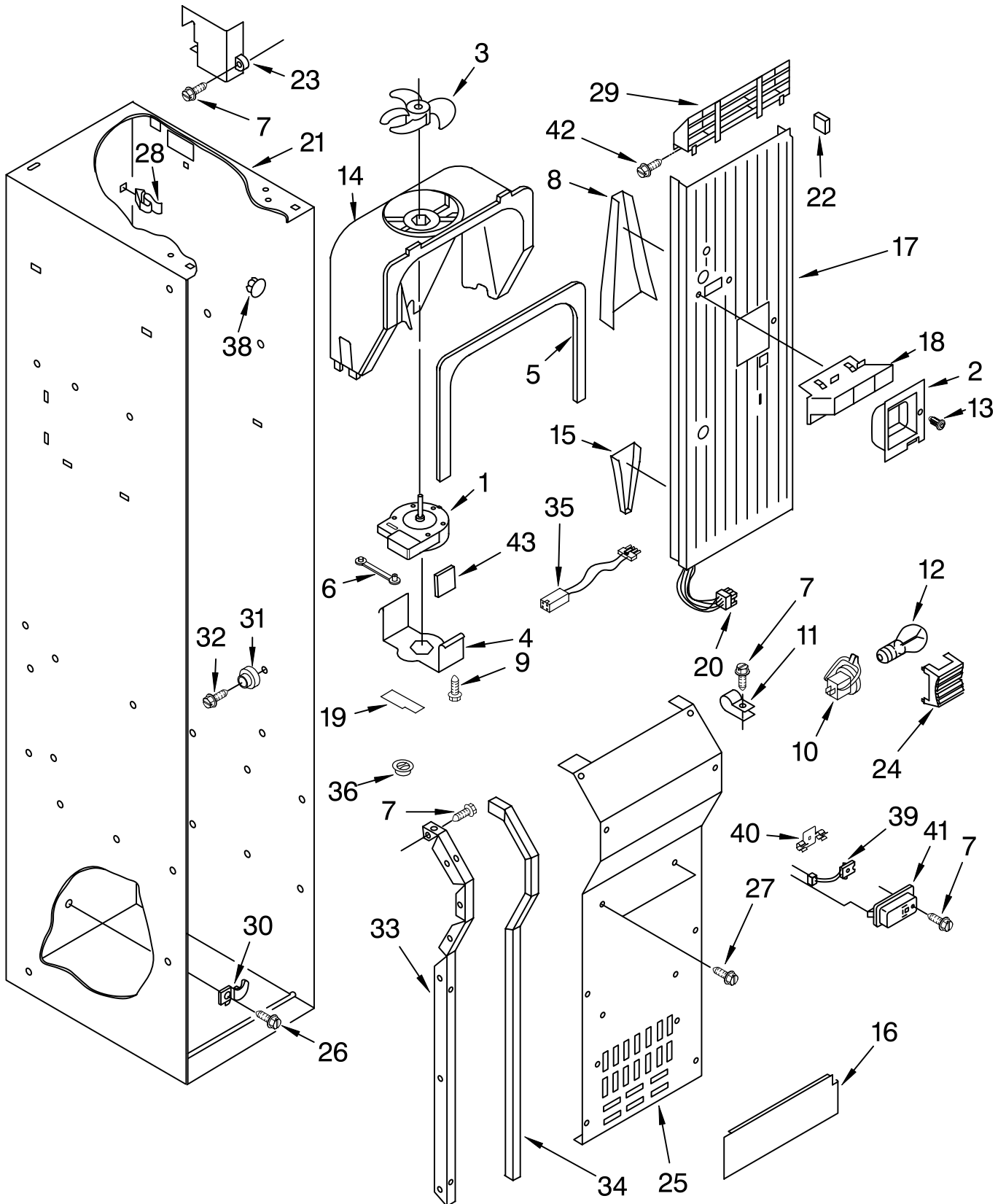
REFRIGERATOR SHELF PARTS

For Models: KSSS42FKB01, KSSS42FKT01, KSSS42FKW01, KSSS42FKX01
 (Black) (Biscuit) (White) (Etched Aluminum)

| Illus. No. | Part No. | DESCRIPTION |
|-------------------|-----------------|-----------------------------------|
| 1 | 2174403 | Frame, Shelf |
| 2 | 2003376 | Glass, Shelf |
| 3 | 1113547 | Reflector, Shelf |
| 4 | 1113791 | Gasket, Glass (2) |
| 5 | 2179404 | Rack, Wine |
| 6 | 2216625 | Egg Bin |
| 7 | 2006524 | Frame, Assembly Meat Pan |
| 9 | 1113894 | Cover, Crisper |
| 10 | 2003379 | Glass, Crisper (Includes #9) |
| 11 | 2000742 | Meat Pan, Connector |
| 12 | 2169935 | Cover |
| 14 | 2220896 | Crisper Pan (2) |
| 15 | 2188212 | Roller |
| 16 | 2174478 | Eyelet, Roller |
| 17 | 2003478 | Screw |
| 20 | 2220902 | Meat Pan |
| 23 | 2002181 | Retainer, Glass |
| 25 | 2006515 | Crisper Spacer, Right Side (2) |
| 27 | 1113169 | Stop, Roller |
| 28 | 2006516 | Crisper Spacer, Left Side (2) |
| 29 | 486194 | Screw |

FREEZER LINER AND AIR FLOW PARTS

For Models: KSSS42FKB01, KSSS42FKT01, KSSS42FKW01, KSSS42FKX01
(Black) (Biscuit) (White) (Etched Aluminum)



FOR ORDERING INFORMATION REFER TO PARTS PRICE LIST

FREEZER LINER AND AIR FLOW PARTS

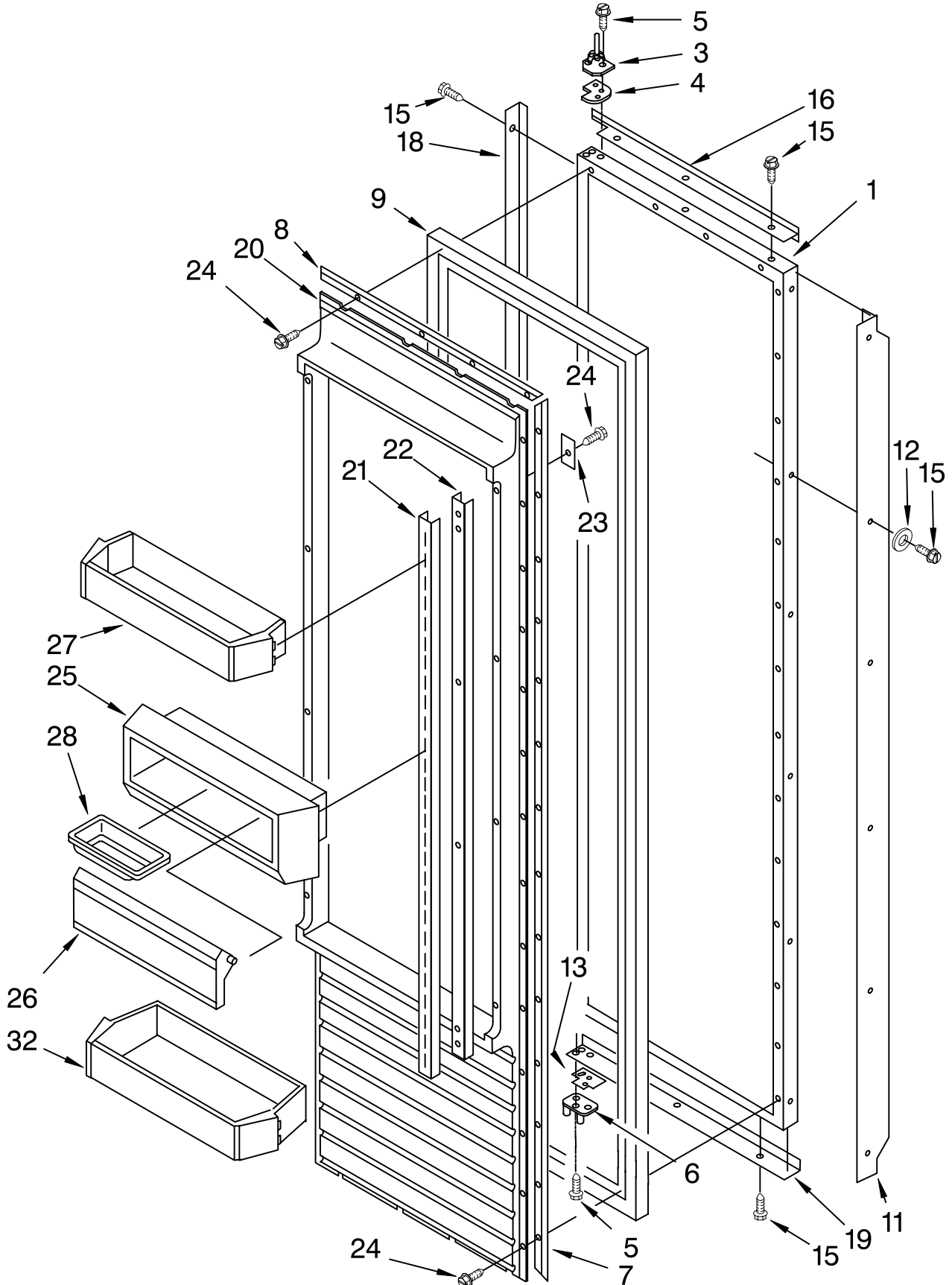
For Models: KSSS42FKB01, KSSS42FKT01, KSSS42FKW01, KSSS42FKX01
 (Black) (Biscuit) (White) (Etched Aluminum)

| Illus. No. | Part No. | DESCRIPTION |
|---------------|-------------|---------------------------------|
| 1 | 2208939 | Fan Motor |
| 2 | 2002732 | Cup, Clearance |
| 3 | 2169142 | Fan Blade |
| 4 | 2155590 | Retainer, Fan Motor |
| 5 | 2155789 | Gasket, Cover |
| 6 | 2208968 | Grommet |
| 7 | 486194 | Screw |
| 8 | 2003925 | Deflector, Air Duct |
| 9 | 488500 | Screw, Ground |
| 10 | 2162085 | Socket, Light (2) |
| 11 | 488937 | Clamp, Nylon |
| 12 | 2160708 | Light Bulb |
| 13 | 1112871 | Fastner |
| 14 | 2182120 | Scroll, Fan |
| 15 | 2003928 | Deflector, Air Duct |
| 16 | 2215612 | Cover, Air Duct |
| 17 | 2209335 | Assembly, Air Duct |
| 18 | 2182146 | Duct, Icemaker |
| 19 | | Block, Fan Scroll |
| | 2209480 | Right |
| | 2209066 | Left |
| 20 | 2221262 | Harness, Wire |
| 21 | | Liner (Not Serviceable Part) |
| 22 | 1112869 | Gasket, Air Baffle |
| 23 | 2215718 | Cover, Air Outlet |
| 24 | 2198589 | Light Shield |
| 25 | 2221105 | Cover, Evaporator |
| 26 | 486194 | Screw |
| 27 | 487539 | Screw |
| 28 | 2215823 | Clip, Air Duct (4) |
| 29 | 1112852 | Diffuser, Air Duct |
| 30 | 1112260 | Support, Evaporator |
| 31 | 2196483 | Stud, Shelf (20) |
| 32 | 8281158 | Screw |
| 33 | | Evaporator, Cover Rail |
| | 2221107 | Left Side |
| | 2221108 | Right Side |
| 34 | 2220904 | Gasket (2) Evaporator Cover |
| 35 | 2221077 | Wire, Jumper |
| 36 | 2171931 | Release Valve |
| 38 | 941839 | Hole Plug |
| 39 | 2213442 | Thermistor |
| 40 | 2209204 | Clip, Thermistor |
| 41 | 1116793 | Cover, Thermistor |
| 42 | 488208 | Screw 8-15 x 7/8 |
| 43 | 2220241 | Insulation (4) |

FOR ORDERING INFORMATION REFER TO PARTS PRICE LIST

REFRIGERATOR DOOR PARTS

For Models: KSSS42FKB01, KSSS42FKT01, KSSS42FKW01, KSSS42FKX01
(Black) (Biscuit) (White) (Etched Aluminum)



FOR ORDERING INFORMATION REFER TO PARTS PRICE LIST

REFRIGERATOR DOOR PARTS

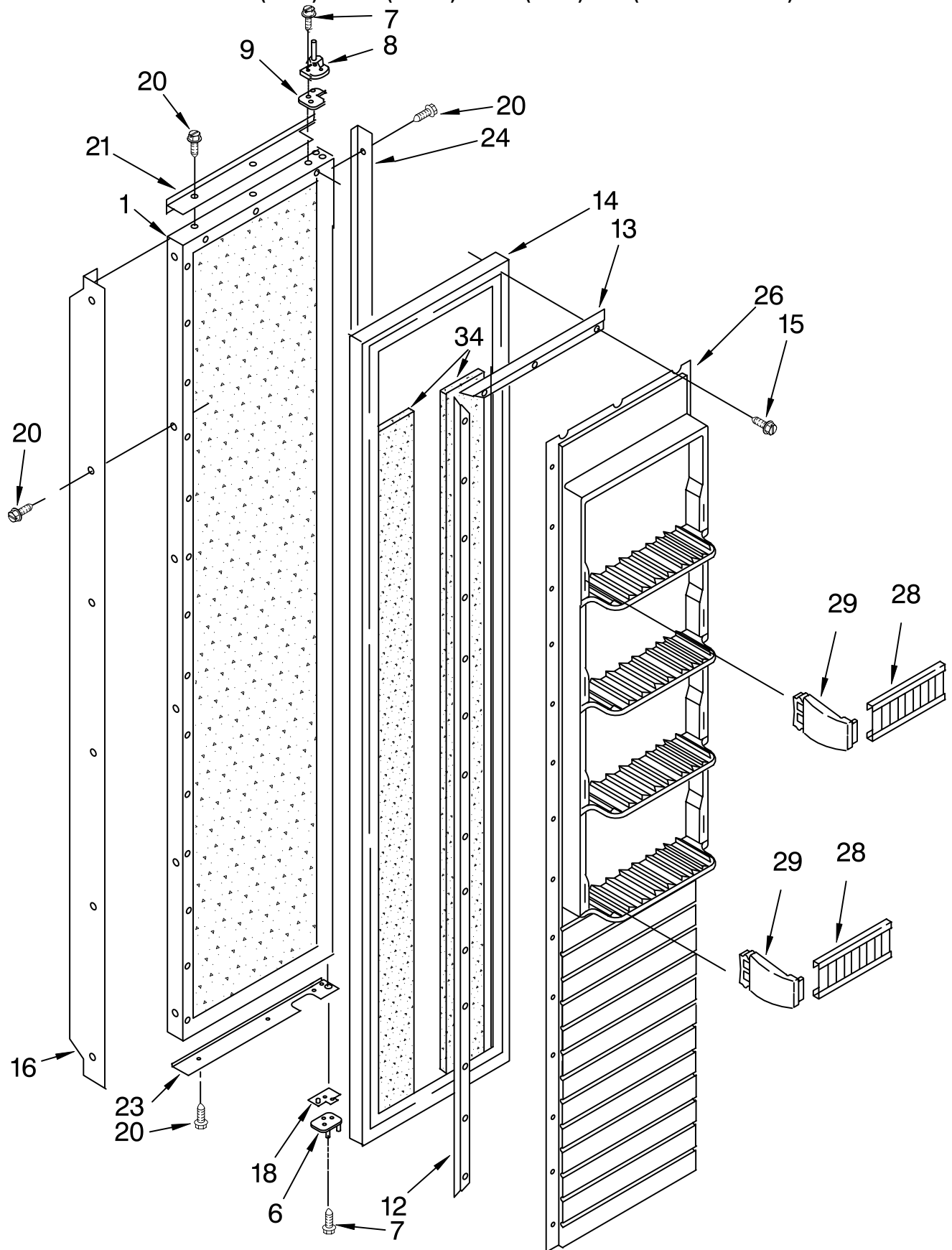
For Models: KSSS42FKB01, KSSS42FKT01, KSSS42FKW01, KSSS42FKX01
 (Black) (Biscuit) (White) (Etched Aluminum)

| Illus. No. | Part No. | DESCRIPTION |
|------------|----------|---|
| 1 | 2215988 | Refrigerator Door Panel (Includes Insulation) |
| 3 | 2220922 | Hinge Assembly, Top |
| 4 | 2004520 | Spacer-Door, Top |
| 5 | 489282 | Screw |
| 6 | 2220809 | Hinge Assembly, Bottom |
| 7 | 1112533 | Gasket Retainer, Side (2) |
| 8 | 1112541 | Gasket Retainer, Top & Bottom |
| 9 | 2188498 | Door Gasket, Magnetic |
| 11 | | Handle, Door |
| | 2005953 | White |
| | 2005956 | Black |
| | 2005955 | Biscuit |
| | 2005952 | Etched Aluminum |
| 12 | 2001230 | Washer |
| 13 | 2004549 | Door, Spacer Bottom |
| 15 | | Screw |
| | 8281251 | White |
| | 8281252 | Black |
| | 8281253 | Biscuit |
| | 8281250 | Stainless Steel |
| 16 | | Trim (Top) |
| | 2005014 | White |
| | 2005840 | Black |
| | 2005757 | Biscuit |
| | 2005011 | Etched Aluminum |
| 18 | | Trim (Side) |
| | 2005968 | White |
| | 2005971 | Black |
| | 2005970 | Biscuit |
| | 2005967 | Etched Aluminum |
| 19 | | Trim (Bottom) |
| | 2209418W | White |
| | 2209418B | Black |
| | 2209418T | Biscuit |
| | 2209418 | Etched Aluminum |
| 20 | 1113953 | Panel, Interior Door |
| 21 | 1113951 | Ladder, Shelf (2) |
| 22 | 1112530 | Retainer, Shelf Ladder (2) |
| 23 | 1112514 | Back Up Plate (8) |
| 24 | 486194 | Screw |
| 25 | 1112721 | Bin, Utility |
| 26 | 2003464 | Door, Utility Bin |
| 27 | 1113973 | Door Shelf (3) |
| 28 | 2165792 | Butter Tray |
| 32 | 2188332 | Shelf, Gallon Door |

FOR ORDERING INFORMATION REFER TO PARTS PRICE LIST

FREEZER DOOR PARTS

For Models: KSSS42FKB01, KSSS42FKT01, KSSS42FKW01, KSSS42FKX01
(Black) (Biscuit) (White) (Etched Aluminum)



FOR ORDERING INFORMATION REFER TO PARTS PRICE LIST

FREEZER DOOR PARTS

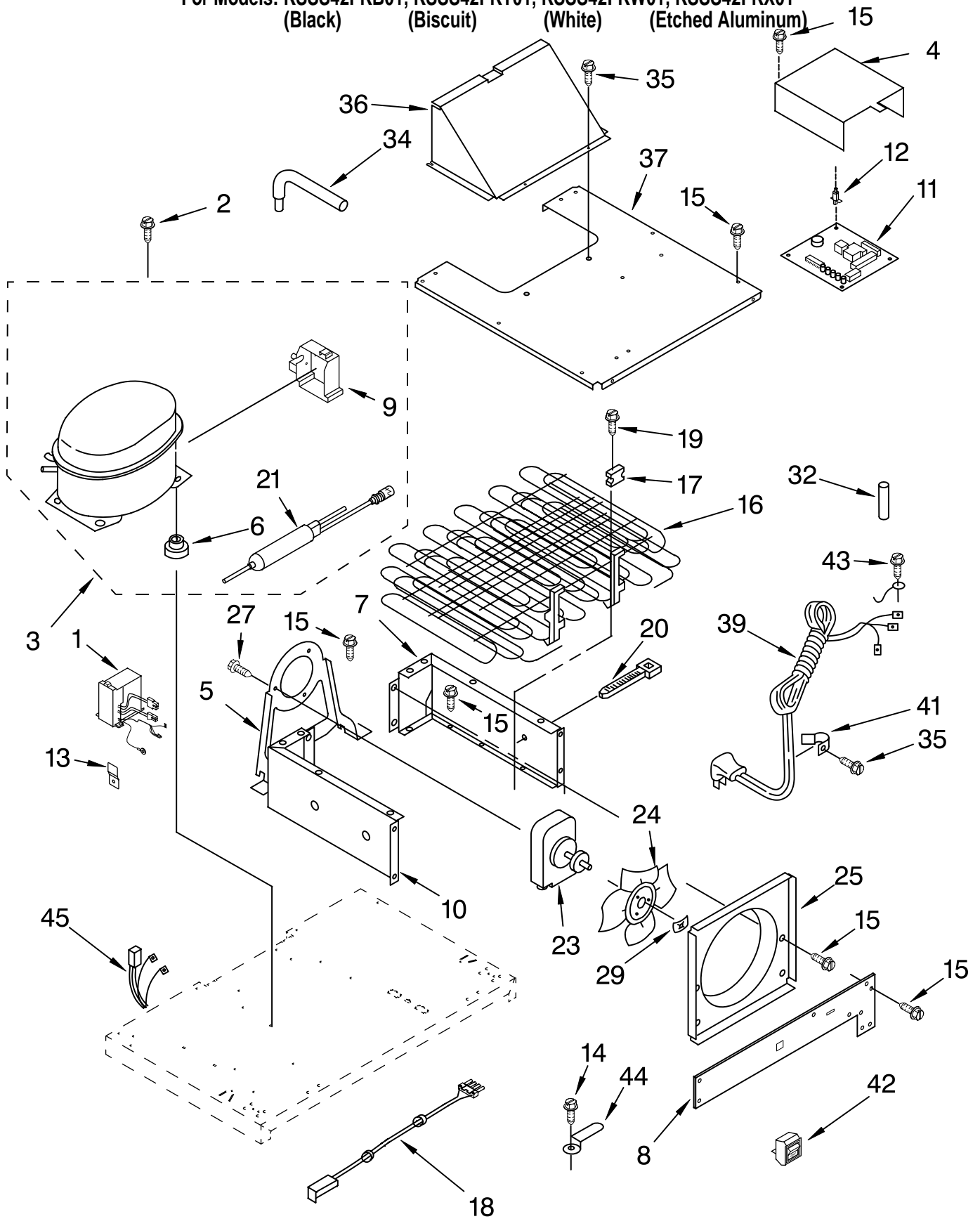
For Models: KSSS42FKB01, KSSS42FKT01, KSSS42FKW01, KSSS42FKX01
 (Black) (Biscuit) (White) (Etched Aluminum)

| Illus. No. | Part No. | DESCRIPTION |
|---------------|-------------|--|
| 1 | 2215976 | Freezer Door Panel (Includes Insulation) |
| 6 | 2220810 | Hinge, Bottom |
| 7 | 489282 | Screw |
| 8 | 2220922 | Hinge, Top |
| 9 | 2004520 | Spacer-Door, Top |
| 12 | 1112533 | Gasket Retainer, Side (2) |
| 13 | 1112540 | Gasket Retainer, Top & Bottom |
| 14 | 2188496 | Door Gasket, Magnetic |
| 15 | 486194 | Screw (34) |
| 16 | | Handle, Door |
| | 2005943 | White |
| | 2005946 | Black |
| | 2005945 | Biscuit |
| | 2005942 | Etched Aluminum |
| 18 | 2004549 | Door, Spacer |
| 20 | | Screw |
| | 8281251 | White |
| | 8281252 | Black |
| | 8281253 | Biscuit |
| | 8281250 | Stainless Steel |
| 21 | | Trim (Top) |
| | 2005023 | White |
| | 2005886 | Black |
| | 2005760 | Biscuit |
| | 2005020 | Etched Aluminum |
| 23 | | Trim (Bottom) |
| | 2209421W | White |
| | 2209421B | Black |
| | 2209421T | Biscuit |
| | 2209421 | Etched Aluminum |
| 24 | | Trim (Side) |
| | 2005963 | White |
| | 2005966 | Black |
| | 2005965 | Biscuit |
| | 2005962 | Etched Aluminum |
| 26 | 2209031 | Panel, Interior Door |
| 28 | 2188515 | Shelf Bin |
| 29 | | Trim, Endcap |
| | 2208954 | Left Side |
| | 2209134 | Right Side |
| 34 | 2005610 | Seal |

FOR ORDERING INFORMATION REFER TO PARTS PRICE LIST

UPPER UNIT PARTS

For Models: KSSS42FKB01, KSSS42FKT01, KSSS42FKW01, KSSS42FKX01
 (Black) (Biscuit) (White) (Etched Aluminum)



FOR ORDERING INFORMATION REFER TO PARTS PRICE LIST

UPPER UNIT PARTS

For Models: KSSS42FKB01, KSSS42FKT01, KSSS42FKW01, KSSS42FKX01
 (Black) (Biscuit) (White) (Etched Aluminum)

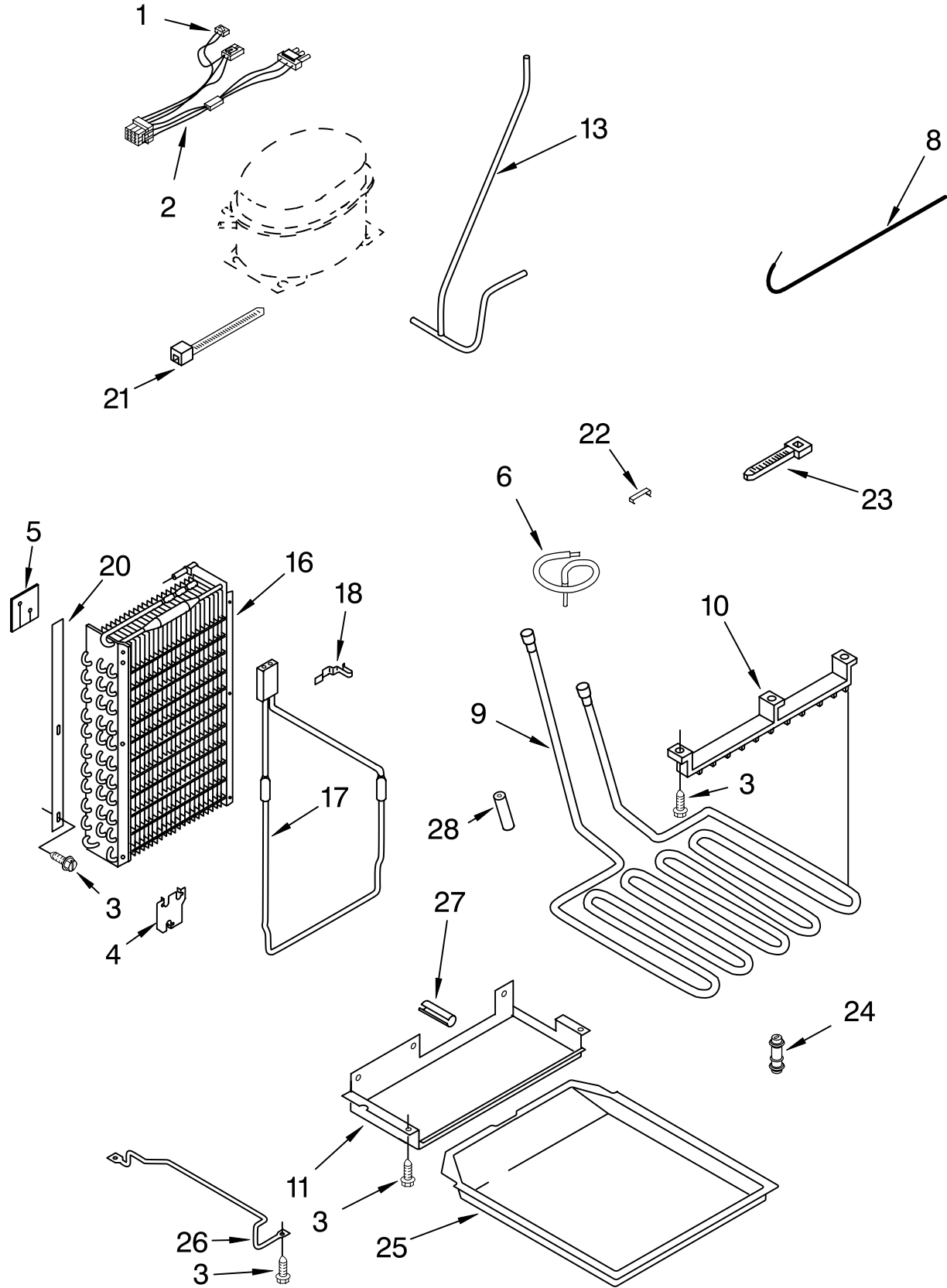
| Illus. No. | Part No. | DESCRIPTION | Illus. No. | Part No. | DESCRIPTION | Illus. No. | Part No. | DESCRIPTION |
|------------|----------|--|------------|----------|----------------------------------|------------|----------|---|
| 1 | 2209324 | Inverter Box | 17 | 943447 | Grommet (4) | | | |
| 2 | 489373 | Screw, Compressor Mounting (4) | 18 | 2187422 | Jumper, Wire | | | |
| 3 | 2208937 | Compressor (Includes Items 6, 9 & 21) (Also Order 876765 Tube Kit) | 19 | 487522 | Screw | | | |
| 4 | 2199929 | Housing, Control Board | 20 | 851095 | Wire Tie (2) | | | |
| 5 | 2215641 | Bracket, Fan Motor | 21 | 2199167 | Drier | | | |
| 6 | 1100826 | Grommet, Mounting | 23 | 2206036 | Motor, Fan | | | |
| 7 | 2209038 | Shroud, Condenser (Right) | 24 | 2190685 | Blade, Fan | | | |
| 8 | 2215665 | Panel, Condenser Front | 25 | 2003169 | Orifice, Fan | | | |
| 9 | 2215676 | Terminal Cover | 27 | 8281160 | Screw | | | |
| 10 | 2209037 | Shroud, Condenser (Left) | 29 | 486692 | Speed Nut | | | |
| 11 | 2254739 | Control Board | 32 | 2000645 | Sleeve, Condenser | | | |
| 12 | 2203075 | Spacer (5) | 34 | 2194319 | Process, Tube | | | |
| 13 | 2209493 | Bracket, Inverter Box | 35 | 486194 | Screw | | | |
| 14 | 486899 | Screw | 36 | 2209495 | Cover, Fan | | | |
| 15 | 486194 | Screw | 37 | 2215628 | Cover, Condenser | | | |
| 16 | 2209062 | Condenser | 39 | 2003381 | Service Cord | | | |
| | | | 41 | 549193 | Clamp, Cord | | | |
| | | | 42 | 1113229 | Switch, Power Disconnect | | | |
| | | | 43 | 488500 | Screw, Ground | | | |
| | | | 44 | 653035 | Clip, Cord Plug | | | |
| | | | 45 | 2187417 | Wiring Harness, Unit Compartment | | | |
| | | | | | | | | Following Parts Not Illustrated and Optional Parts Not Included |
| | | | | | | | | 978025 Valve, Access (1/4") |
| | | | | | | | | 978026 Valve, Access (5/16") |
| | | | | | | | | 978027 Valve, Access (3/8") |
| | | | | | | | | 978028 Valve, Access (1/2") |
| | | | | | | | | 978029 Valve, Access (5/8") |
| | | | | | | | | 978030 Valve, Access (3/4") |
| | | | | | | | | 876764 Valve, Access (3/16") |
| | | | | | | | | REFRIGERANT CHARGE |
| | | | | | | | | 7.75 oz. (R-134A) |



FOR ORDERING INFORMATION REFER TO PARTS PRICE LIST

LOWER UNIT AND TUBE PARTS

For Models: KSSS42FKB01, KSSS42FKT01, KSSS42FKW01, KSSS42FKX01
 (Black) (Biscuit) (White) (Etched Aluminum)



FOR ORDERING INFORMATION REFER TO PARTS PRICE LIST

LOWER UNIT AND TUBE PARTS

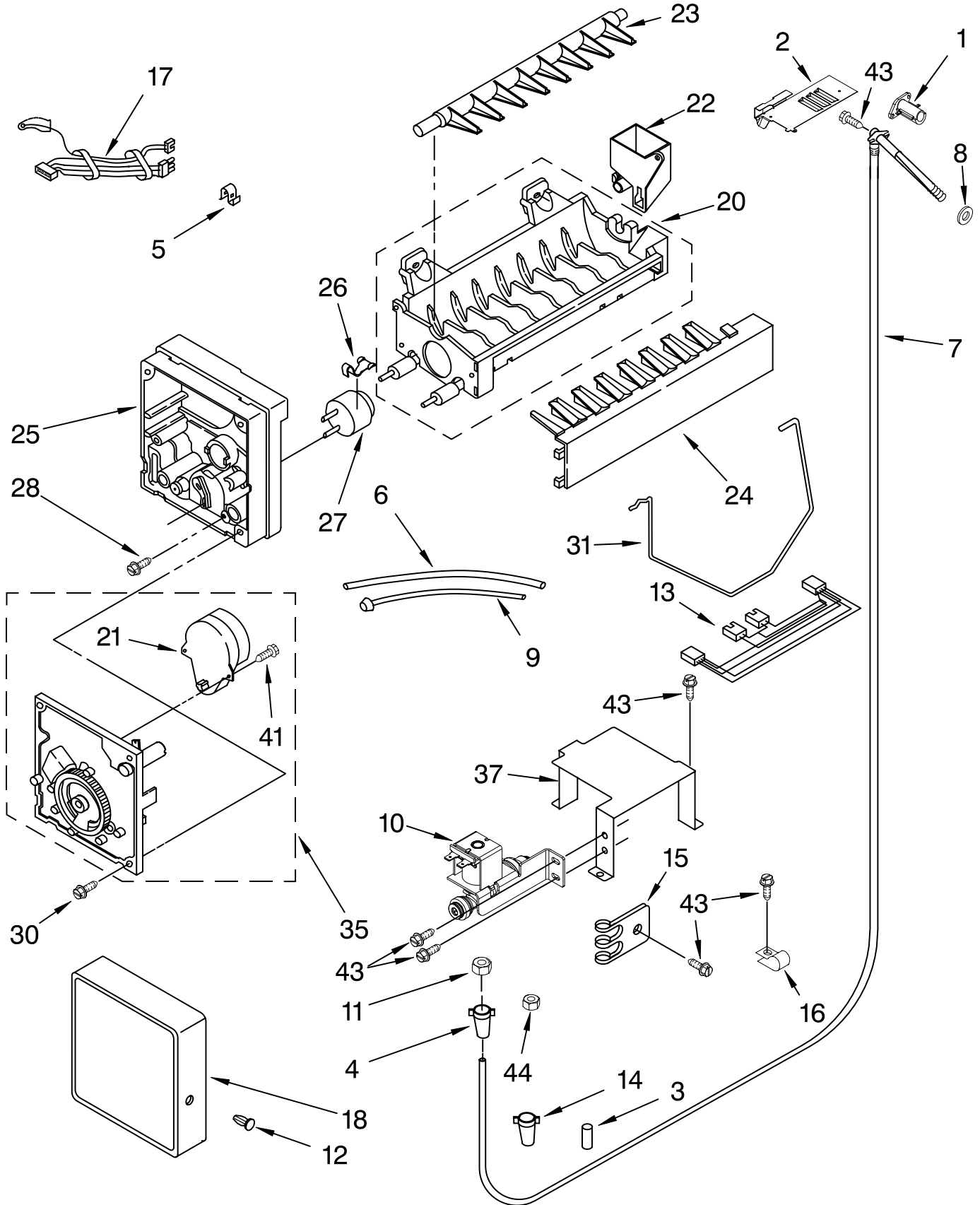
For Models: KSSS42FKB01, KSSS42FKT01, KSSS42FKW01, KSSS42FKX01
 (Black) (Biscuit) (White) (Etched Aluminum)

| Illus. No. | Part No. | DESCRIPTION |
|---------------|-------------|----------------------------|
| 1 | 2196155 | Defrost Bi-Metal |
| 2 | 2209119 | Wire Harness |
| 3 | 486194 | Screw |
| 4 | 2215508 | Bracket |
| 5 | 2209067 | Side Support |
| 6 | 2209035 | Suction Tube |
| 8 | 2209454 | Tube, Connect (Drier) |
| 9 | 2209451 | Heater, Drain Pan |
| 10 | 2209450 | Hanger, Heater |
| 11 | 2005908 | Shield, Drain Pan |
| 13 | 2209036 | Tube, Discharge |
| 16 | 2209064 | Evaporator |
| 17 | 2006750 | Heater, Defrost |
| 18 | 1113048 | Clamp, Heater (2) |
| 20 | 2220832 | Gasket, Evaporator |
| 21 | 857547 | Wire Tie |
| 22 | 2215691 | Clip, Heat Exchanger |
| 23 | 851095 | Strap |
| 24 | 2209444 | Grommet, Water Tube |
| 25 | 2001264 | Drain Pan |
| 26 | 1113206 | Bracket, Drain Pan Left |
| | 1113207 | Right |
| 27 | 513942 | Dampener |
| 28 | 2215648 | Damper, Heater |

FOR ORDERING INFORMATION REFER TO PARTS PRICE LIST

ICEMAKER PARTS

For Models: KSSS42FKB01, KSSS42FKT01, KSSS42FKW01, KSSS42FKX01
(Black) (Biscuit) (White) (Etched Aluminum)



FOR ORDERING INFORMATION REFER TO PARTS PRICE LIST

ICEMAKER PARTS

For Models: KSSS42FKB01, KSSS42FKT01, KSSS42FKW01, KSSS42FKX01
 (Black) (Biscuit) (White) (Etched Aluminum)

| Illus. No. | Part No. | DESCRIPTION | Illus. No. | Part No. | DESCRIPTION | Illus. No. | Part No. | DESCRIPTION |
|------------|----------|---------------------------|------------|----------|---|------------|----------|---|
| 1 | 2221240 | Heater, Fill Tube | 15 | 2208136 | Clamp, Nylon Valve | 27 | 627985 | Thermostat (Also Order 542639 Cement Alumilastic) |
| 2 | 2221231 | Heat Shield | 16 | 488937 | Clamp Tube | 28 | 489322 | Screw |
| 3 | 2005038 | Plug, Water Valve | 17 | 2254737 | Wire Assembly | 30 | 489276 | Screw |
| 4 | 841707 | Insert, Tube | | | | 31 | 2171593 | Shut Off Arm |
| 5 | 628379 | Clip, Fuse | | | | 35 | 628399 | Module Assembly (Includes Items 21 & 41) |
| 6 | 2214613 | Tube, Filter Inlet | 18 | 2221232 | Cover | 37 | 2221282 | Water Valve Mounting Bracket |
| 7 | 2221140 | Water Inlet Tube Assembly | 20 | 628228 | Mold & Heater (Also Order 542638 Silicone Grease) | 41 | 489136 | Screw (2) |
| 8 | 1106508 | Seal Gasket | 21 | 628398 | Motor | 43 | 486194 | Screw |
| 9 | 2209430 | Tube, Filter Outlet | 22 | 628356 | Cup-Water Fill | 44 | 1129179 | Compression Nut |
| 10 | 2254709 | Valve, Solenoid | 23 | 2194711 | Ejector | 100 | 4317943 | Complete Ice maker Assembly |
| 11 | 2204357 | Nut, Compression | 24 | 2182124 | Ice Striper | | | |
| 12 | 489115 | Fastener, Snap-In | 25 | 2195914 | Support | | | |
| 13 | 2254711 | Water Valve, Harness | 26 | 627796 | Retainer | | | |
| 14 | 1129177 | Insert, Tube | | | Thermostat (2) | | | |

PARTS NOT ILLUSTRATED

| Illus. No. | Part No. | DESCRIPTION |
|------------|----------|-------------|
|------------|----------|-------------|

Following Parts Not Illustrated (Optional Parts Only)

- 2220853 Front Panel Kit (White)
- 2220856 Front Panel Kit (Black)
- 2220862 Front Panel Kit (Stainless Steel)
- 2220859 Front Panel Kit (Biscuit)

Black Acrylic
 Static Cleaner Part No. 978849