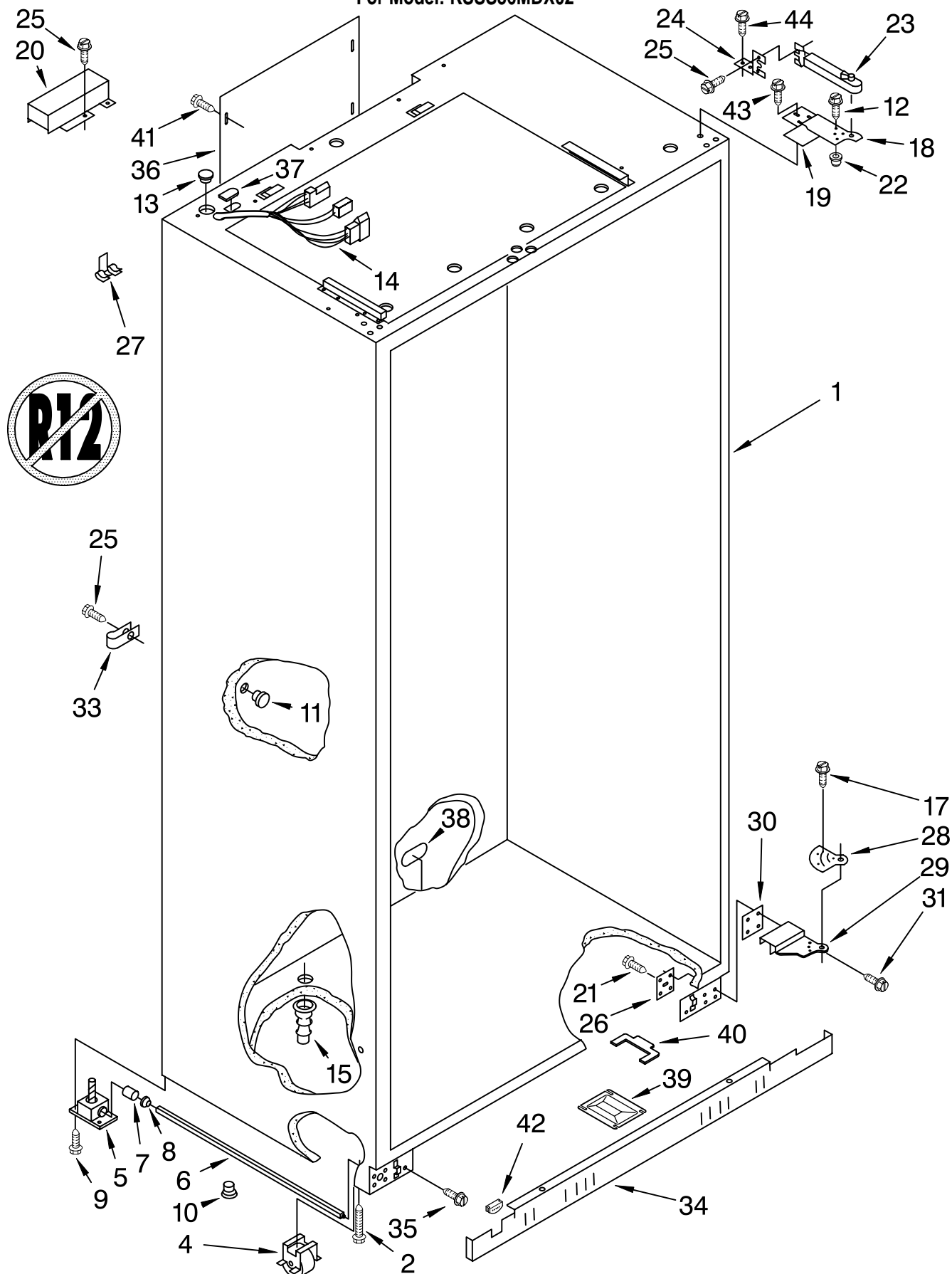


KitchenAid®

CABINET PARTS

For Model: KSSS36MDX02

36" BUILT IN REFRIGERATOR



FOR ORDERING INFORMATION REFER TO PARTS PRICE LIST

CABINET PARTS

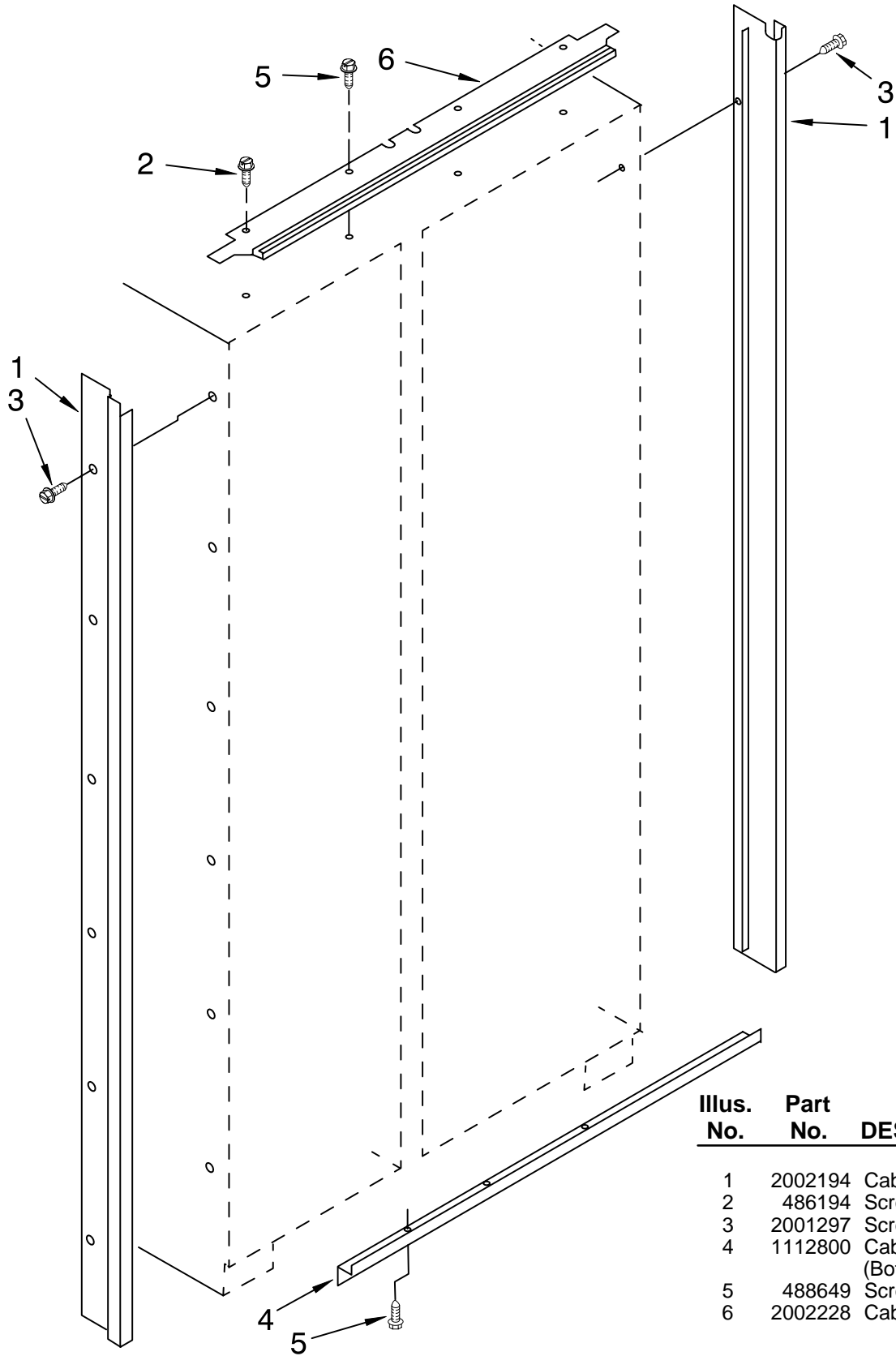
For Model: KSSS36MDX02

Illus. No.	Part No.	DESCRIPTION	Illus. No.	Part No.	DESCRIPTION	Illus. No.	Part No.	DESCRIPTION
1		Cabinet (Not A Serviceable Part)	15	1112848	Drain Fitting	29		Hinge (Bottom)
2	1112019	Leveler, Front (2)	17	2001295	Shoulder Screw		2001978	Left Side
4	1112023	Roller, Front & Rear (4)	18		Hinge (Top)		2001977	Right Side
5	1112695	Leveler, Adjustable (2)		2001976	Left Side	30	1112942	Shim, Hinge (1)
6	2000670	Adjusting Rod (2)		2001975	Right Side		1112943	Shim, Hinge (2)
7	1113250	Sleeve, Retainer (2)	19	2000770	Shim, Hinge Top	31	2000490	Screw
8	1112937	Bushing, Rod (2)	20	1112805	Guard, Wiring	33	2001266	Tube clamp
9	489359	Screw	21	487534	Screw (2)	34	2001962	Grille Base, Front
10	1112939	Hole Plug, Leveler	22	2002903	Bushing	35	489238	Screw (6)
11	1112849	Cap, Grommet	23	1112992	Door Closer Assembly (2)	36	2000727	Cover, Rear
12	2002902	Stop Screw	24	2000333	Bracket, Door Closer	37	1113123	Grommet, Wiring
13	1113122	Grommet, Wiring	25	486194	Screw	38	1113079	Grommet, Flexible
14	2002803	Wiring Harness, Cabinet	26	1112973	Tap Plate, Hinge Butt (2)	39	2003472	Cup, Wiring
			27	1113227	Fastener (3)	40	2003474	Seal
			28		Gap, Cover Assembly (Bottom)	41	2001377	Screw
				2003386	Left Side	42	2003473	Grommet
				2003387	Right Side	43	2001415	Screw (4)
						44	489359	Screw

FOR ORDERING INFORMATION REFER TO PARTS PRICE LIST

CABINET TRIM PARTS

For Model: KSSS36MDX02

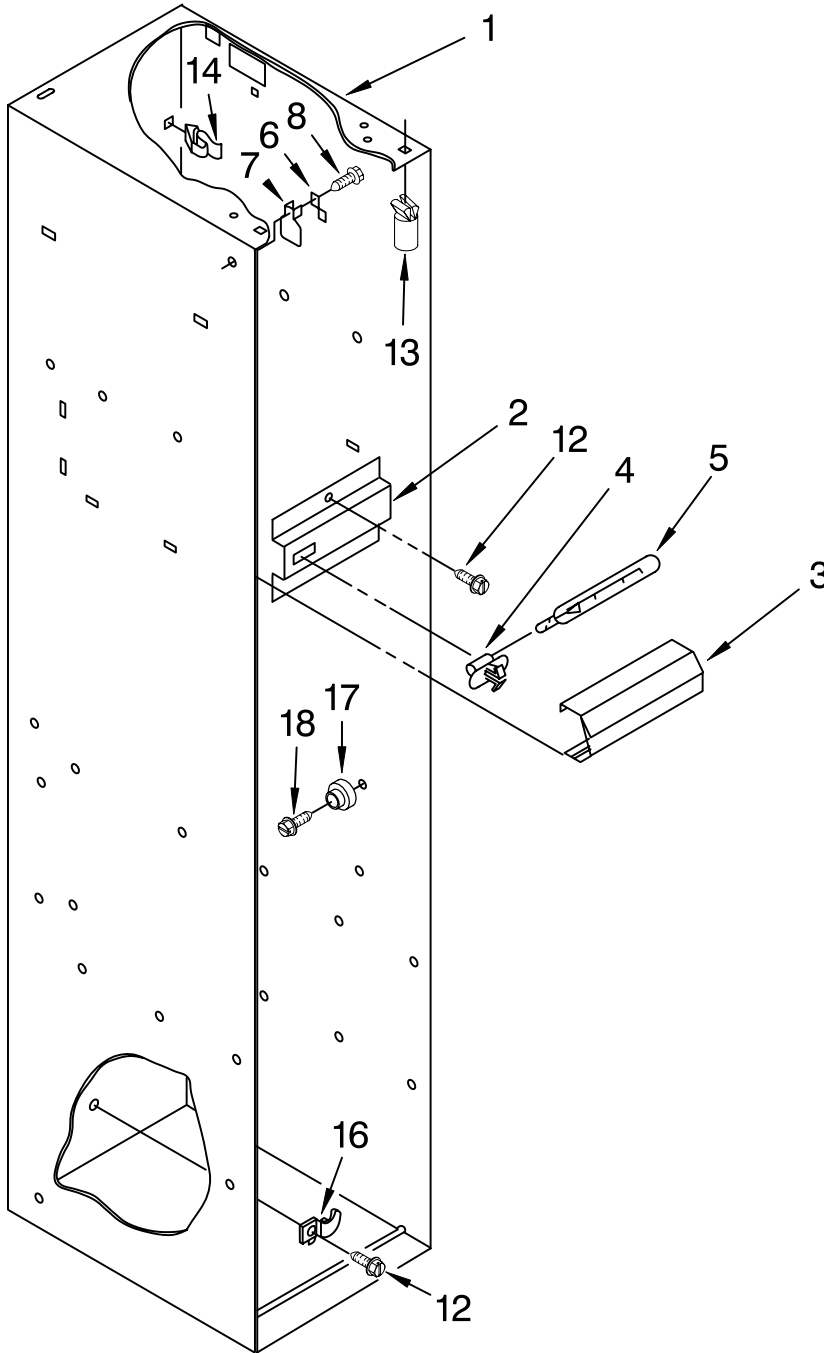


Illus. No.	Part No.	DESCRIPTION
1	2002194	Cabinet, Trim (2)
2	486194	Screw
3	2001297	Screw
4	1112800	Cabinet, Trim (Bottom)
5	488649	Screw
6	2002228	Cabinet, Trim Top

FOR ORDERING INFORMATION REFER TO PARTS PRICE LIST

FREEZER LINER PARTS

For Model: KSSS36MDX02

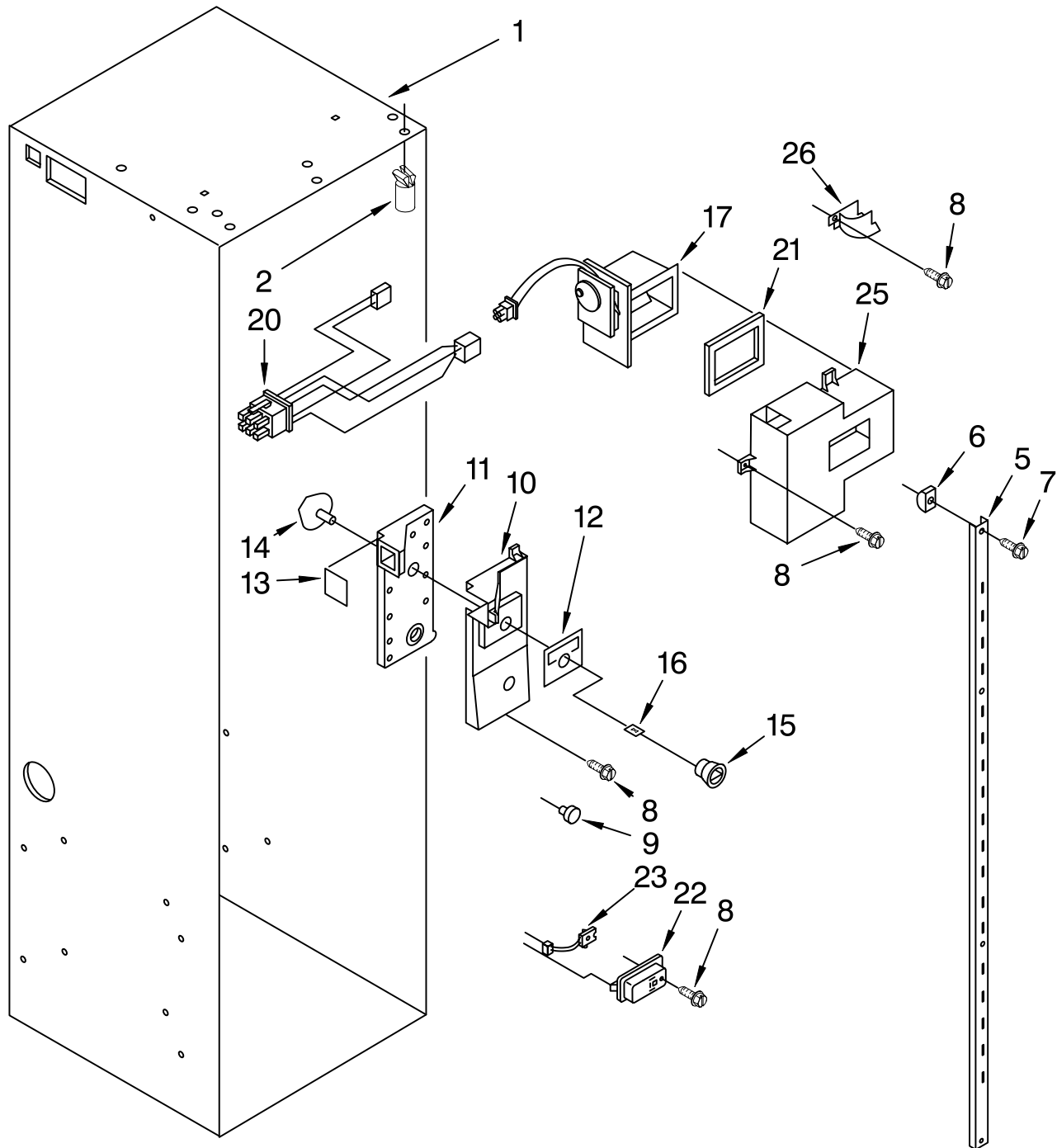


Illus. No.	Part No.	DESCRIPTION
1		Liner (Not A Serviceable Part)
2	1113649	Bracket, Light
3	1113650	Lens
4	1112613	Light, Socket
5	548049	Light, Bulb
6	538533	Support Clip, Icemaker (2)
7	2000193	Grommet, Screw (2)
8	488552	Screw
12	486194	Screw
13	1112591	Spacer, Control Panel (3)
14	842534	Clip, Air Duct (4)
16	1112260	Support, Evaporator
17	658944	Stud, Shelf (8)
18	487559	Screw

FOR ORDERING INFORMATION REFER TO PARTS PRICE LIST

REFRIGERATOR LINER PARTS

For Model: KSSS36MDX02



FOR ORDERING INFORMATION REFER TO PARTS PRICE LIST

REFRIGERATOR LINER PARTS

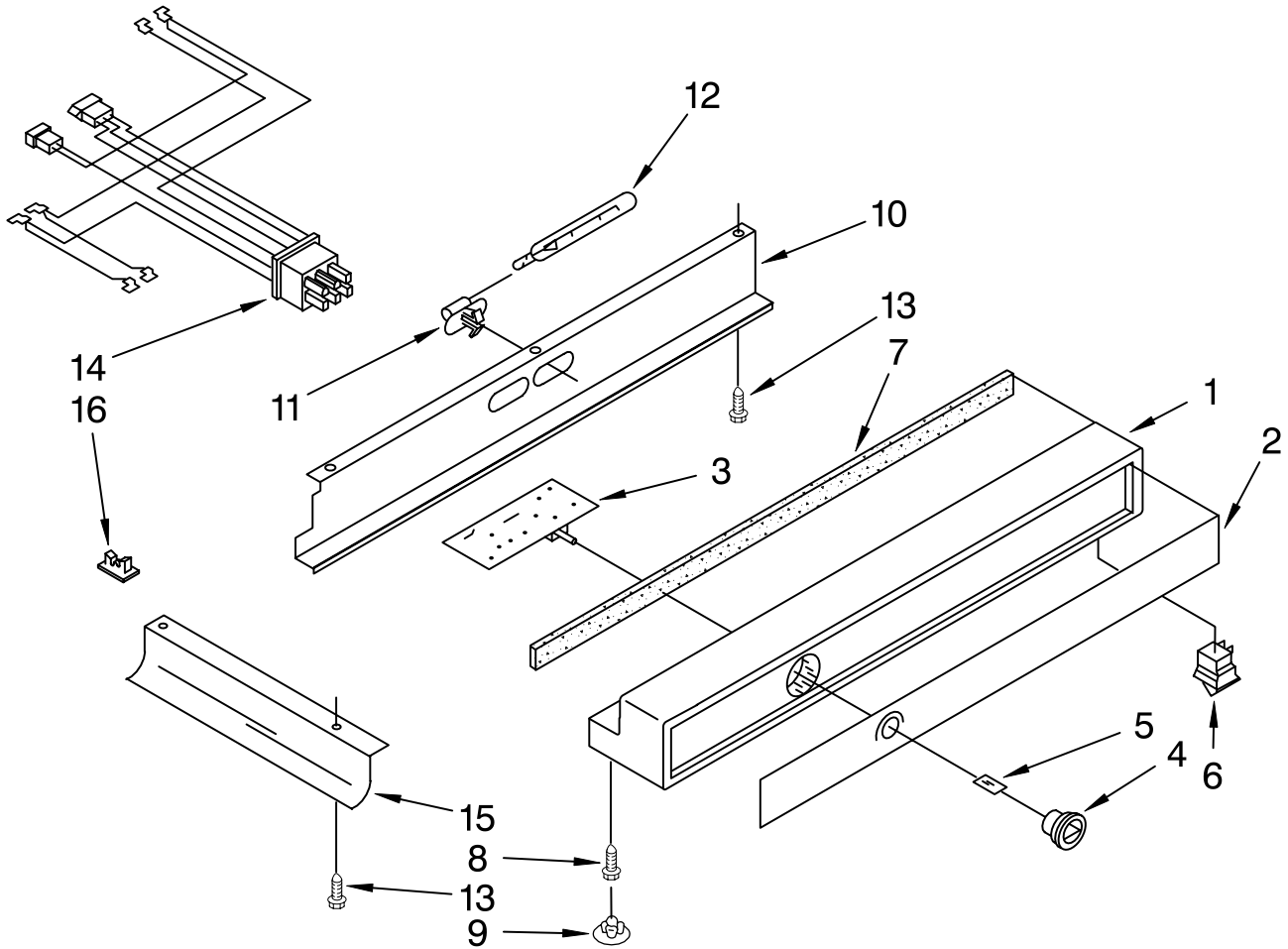
For Model: KSSS36MDX02

Illus. No.	Part No.	DESCRIPTION
1		LINER (Not A Serviceable Part)
2	1112591	Spacer, Control Panel (3)
5	2001117	Ladder, Shelf (2)
6	520965	Screw Support, Ladder (8)
7	488357	Screw
8	486194	Screw
9	1112257	Hole Plug
10	2000740	Meat Pan, Air Duct Cover
11	2000337	Meat Pan, Air Duct
12	2003299	Inlay, Control Meat Pan
13	2001326	Seal, Air Duct
14	1112218	Damper Control, Meat Pan
15	2001735	Control Knob, Meat Pan
16	837444	Retainer, Knob
17	2000343	Air Baffle Assembly
20	2001073	Wiring Harness, Air Baffle
21	2001146	Seal
22	1116793	Cover, Thermistor
23	1116959	Thermistor
25	2000736	Air Baffle Cover
26	2000527	Guard, Air Return

FOR ORDERING INFORMATION REFER TO PARTS PRICE LIST

REFRIGERATOR CONTROL PANEL PARTS

For Model: KSSS36MDX02

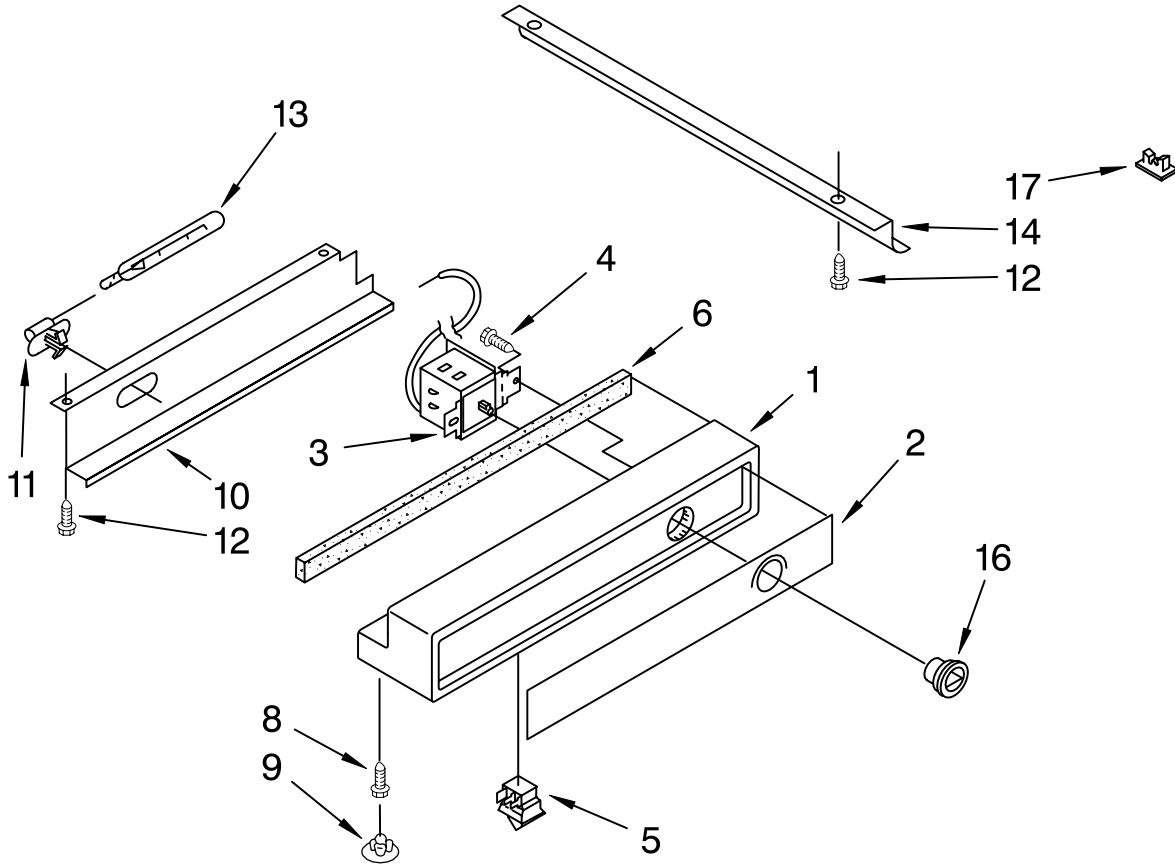


Illus. No.	Part No.	DESCRIPTION
1	1112640	Control Panel
2	2003301	Inlay, Control Panel
3	2000789	Circuit Board
4	2001738	Control Knob
5	837444	Retainer, Knob
6	1118894	Switch, Rocker Arm
7	1113133	Seal, Control Panel
8	489260	Screw (3)
9	2000153	Hole Plug (3)
10	1113773	Shield, Control Panel
11	1112613	Socket, Light (2)
12	548049	Light Bulb (2)
13	486194	Screw
14	2001074	Control, Harness
15	2001141	Channel, Wiring
16	1115375	Clip, Wiring (2)

FOR ORDERING INFORMATION REFER TO PARTS PRICE LIST

FREEZER CONTROL PANEL PARTS

For Model: KSSS36MDX02

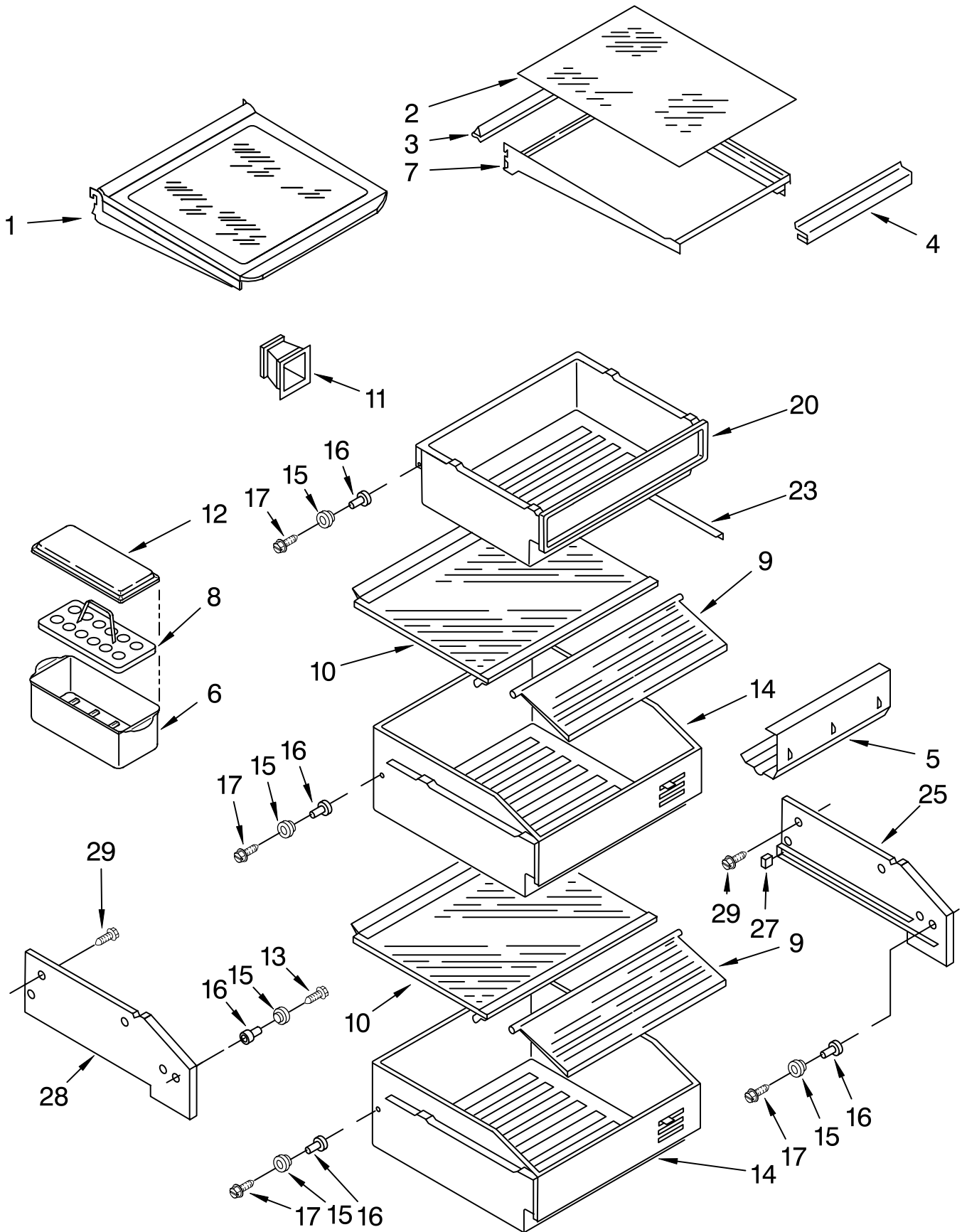


Illus. No.	Part No.	DESCRIPTION
1	1113625	Control Panel
2	2003307	Inlay, Control Panel
3	1113466	Thermostat & Barrier Assembly
4	488974	Screw (2)
5	1115373	Switch, Rocker Arm
6	1113132	Seal, Control Panel
8	489260	Screw (3)
9	2000153	Hole Plug (3)
10	1113767	Shield, Control Panel
11	1112613	Socket, Light
12	486194	Screw
13	548049	Light Bulb
14	2001142	Channel, Wiring
16	2001737	Knob, Thermostat
17	1115375	Clip, Wiring

FOR ORDERING INFORMATION REFER TO PARTS PRICE LIST

REFRIGERATOR SHELF PARTS

For Model: KSSS36MDX02



FOR ORDERING INFORMATION REFER TO PARTS PRICE LIST

REFRIGERATOR SHELF PARTS

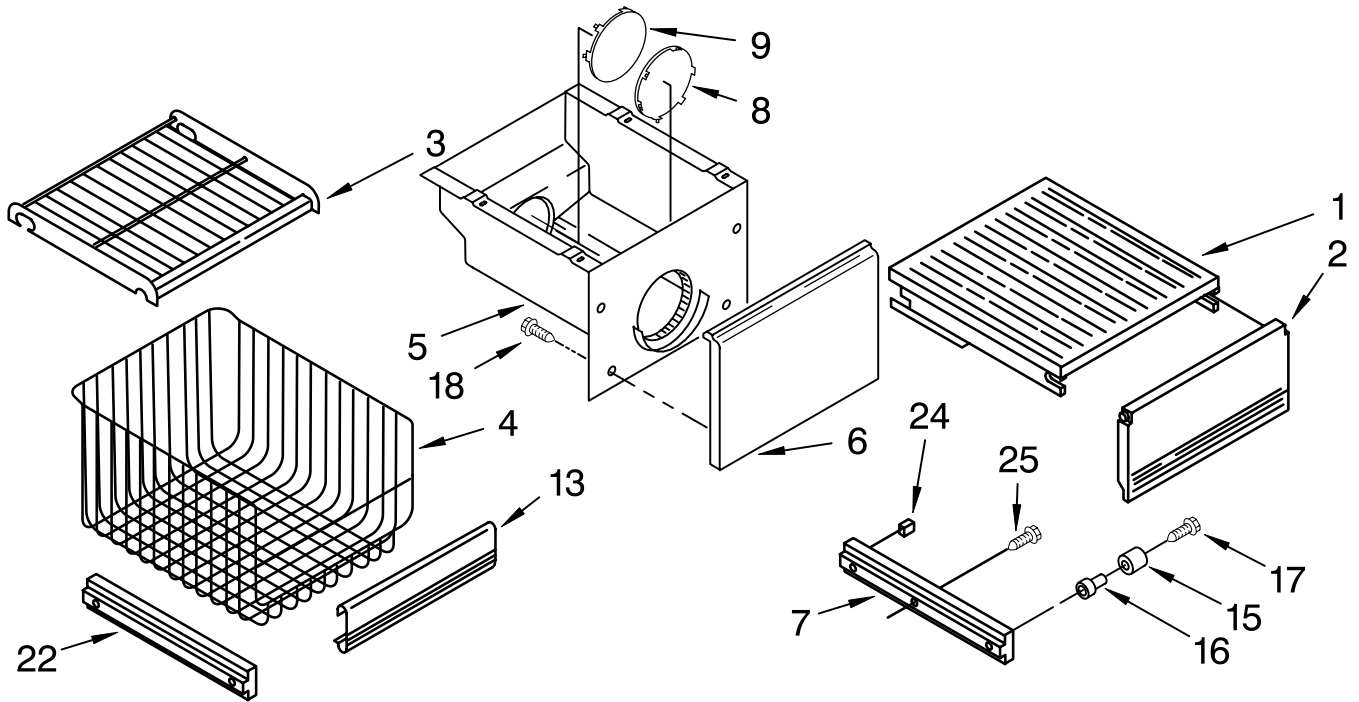
For Model: KSSS36MDX02

Illus. No.	Part No.	DESCRIPTION
1	2174402	Frame, Shelf
2	2003375	Glass, Shelf
3	1113546	Reflector, Shelf
4	1113790	Gasket, Glass (2)
5	2179375	Rack, Wine
6	2169933	Egg Bin
7	2003325	Frame, Assembly Meat Pan
8	2164373	Egg Carrier
9	1113893	Cover, Crisper
10	2003378	Glass, Crisper
11	2000742	Meat Pan, Connector
12	2169935	Cover
13	489212	Screw
14	2003315	Crisper Pan (2)
15	2174388	Roller
16	1113871	Eyelet, Roller
17	489211	Screw
20	2003320	Meat Pan
23	2002181	Retainer, Glass
25	2003411	Crisper Spacer, Right Side (2)
27	1113169	Stop, Roller
28	2003410	Crisper Spacer, Left Side (2)
29	486194	Screw

FOR ORDERING INFORMATION REFER TO PARTS PRICE LIST

FREEZER SHELF PARTS

For Model: KSSS36MDX02

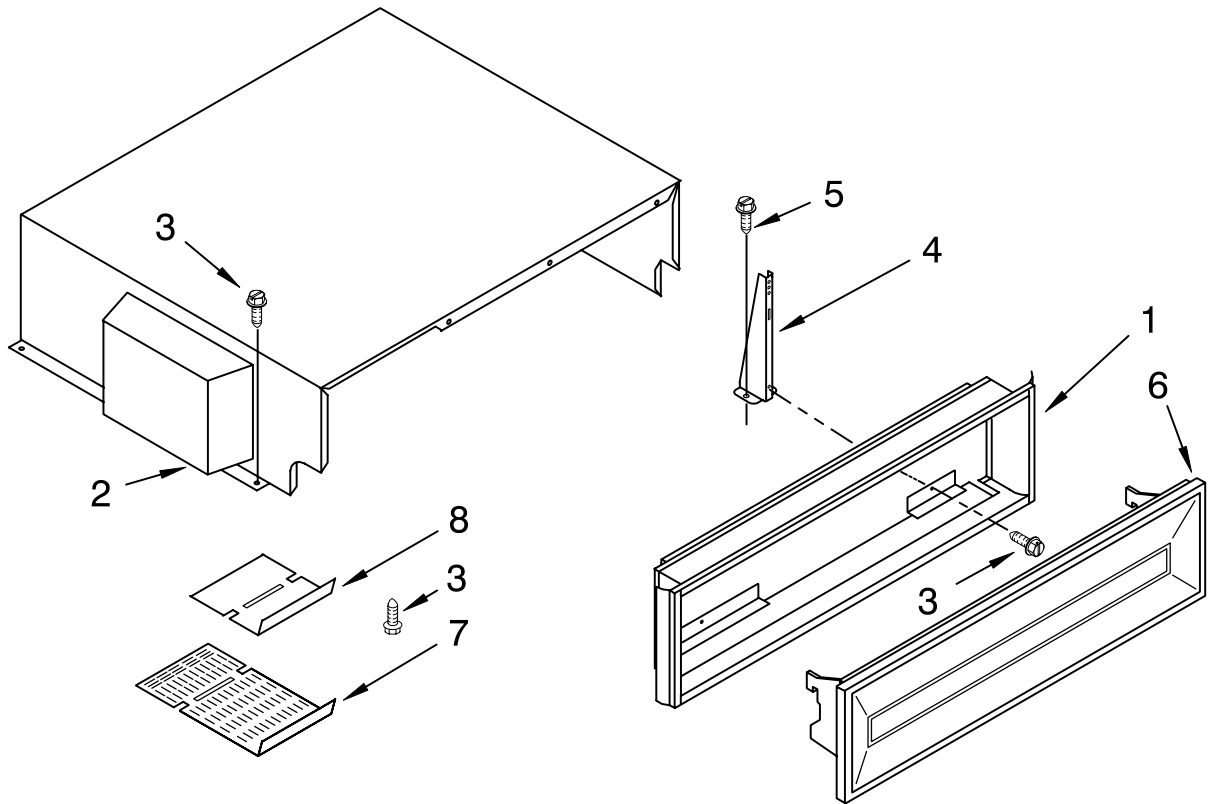


Illus. No.	Part No.	DESCRIPTION
1	2003142	Solid Shelf
2	2003133	Front, Ice Compartment
3	1113564	Shelf, Fixed (2)
	1113636	Shelf, Fixed-Deep
4	2001551	Basket (2)
5	2002725	Ice Container
6	2003043	Front Cover
7	2002720	Slide, Container
	2002720	Right Side
	2002721	Left Side
8	2003046	Hole Plug, Front
9	2003047	Hole Plug, Rear
13	2003112	Trim, Basket
15	2174388	Roller
16	1113871	Eyelet, Roller
17	489211	Screw
18	488886	Screw
22	2000061	Basket Slide
	2000061	Right Side
	2000062	Left Side
	2000062	Right Side (2)
24	1113169	Stop, Roller
25	486194	Screw

FOR ORDERING INFORMATION REFER TO PARTS PRICE LIST

TOP GRILLE AND UNIT COVER PARTS

For Model: KSSS36MDX02

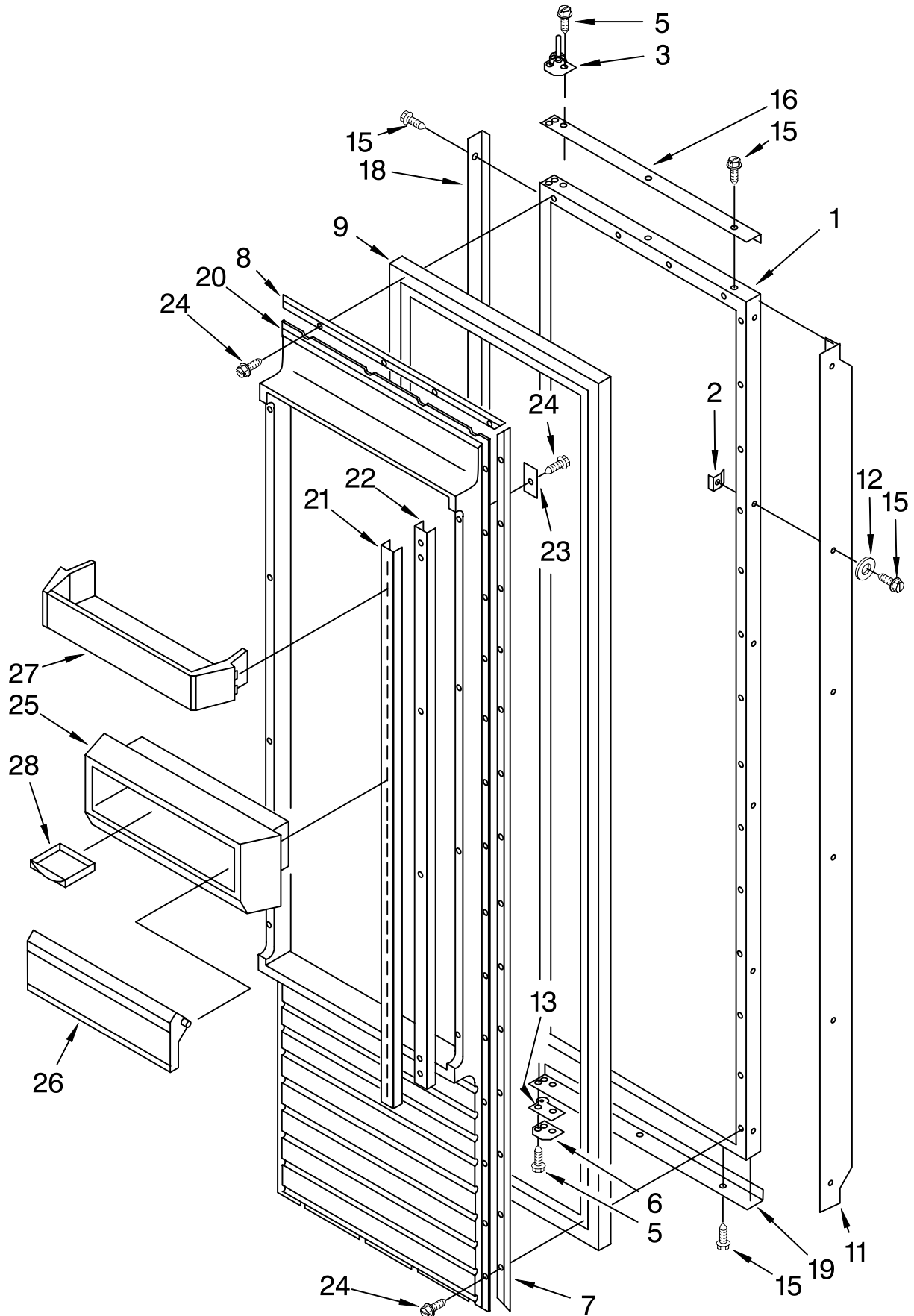


Illus. No.	Part No.	DESCRIPTION
1	2002582	Top Grille Assembly
2	2003267	Cover, Unit
3	486194	Screw
4	2002484	Grille, Bracket
5	2001415	Screw
6	2002954	Decorative Panel Assembly
7	2003480	Guard, Compressor Wiring
8	2003481	Guard, Water Valve Wiring

FOR ORDERING INFORMATION REFER TO PARTS PRICE LIST

REFRIGERATOR DOOR PARTS

For Model: KSSS36MDX02



FOR ORDERING INFORMATION REFER TO PARTS PRICE LIST

REFRIGERATOR DOOR PARTS

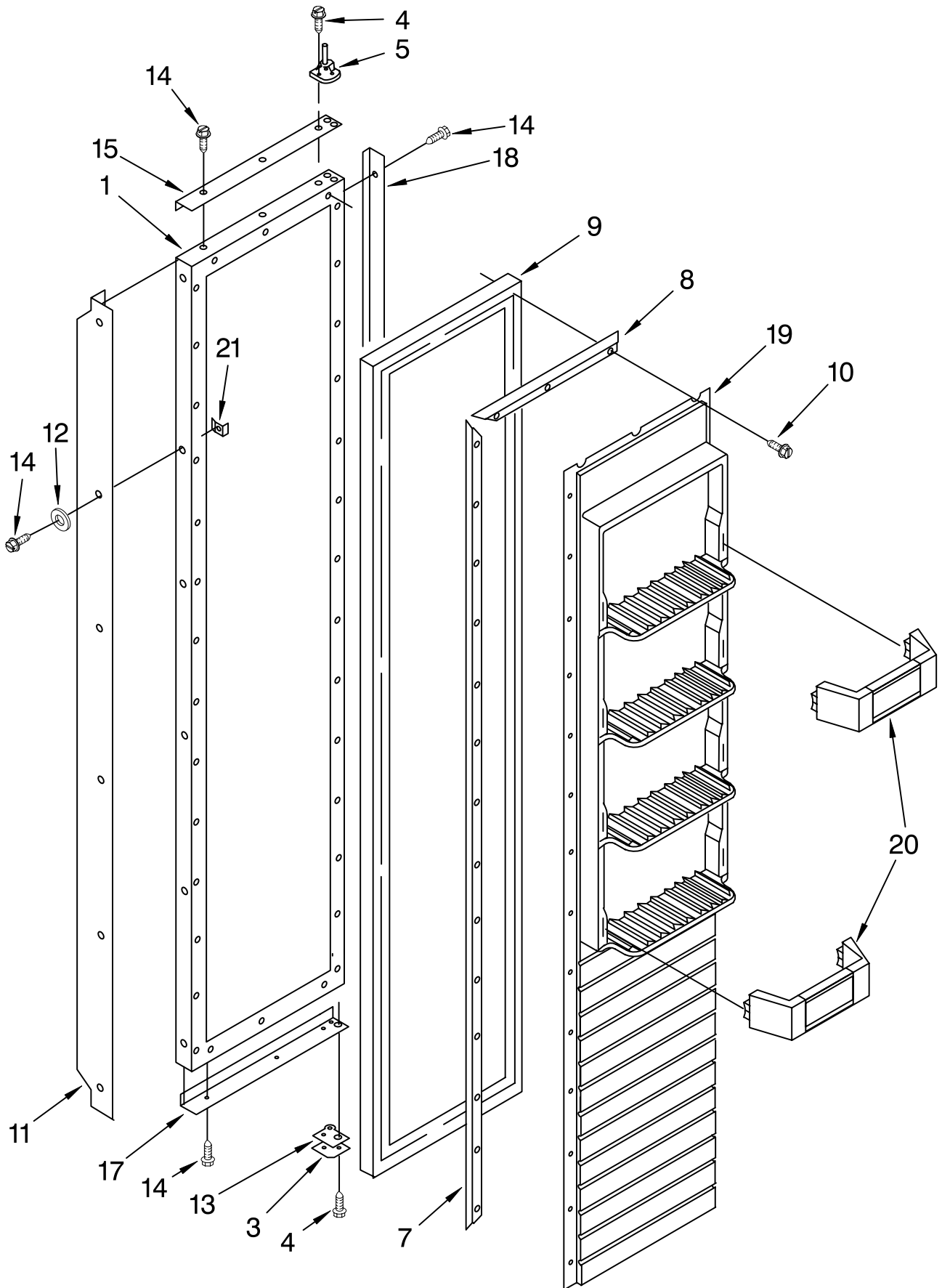
For Model: KSSS36MDX02

Illus. No.	Part No.	DESCRIPTION
1	2003870	Refrigerator Door Panel (Includes Insulation)
2	939101	Screw Anchor (8)
3	2001983	Hinge Assembly, Top
5	489282	Screw
6	2002073	Hinge Assembly, Bottom
7	1112533	Gasket Retainer, Side (2)
8	1112539	Gasket Retainer, Top & Bottom
9	2000878	Door Gasket, Magnetic
11	2002224	Handle, Door
12	2001230	Washer
13	2002007	Door, Spacer Bottom
15	487052	Screw
16	2002200	Trim (Top)
18	2002196	Trim (Side)
19	2002841	Trim (Bottom)
20	1113952	Panel, Interior Door
21	1113951	Ladder, Shelf (2)
22	1112530	Retainer, Shelf Ladder (2)
23	1112514	Back Up Plate (8)
24	486194	Screw
25	1112720	Bin, Utility
26	2003463	Door, Utility Bin
27	2003130	Door Shelf (4)
28	1125936	Butter Tray

FOR ORDERING INFORMATION REFER TO PARTS PRICE LIST

FREEZER DOOR PARTS

For Model: KSSS36MDX02



FOR ORDERING INFORMATION REFER TO PARTS PRICE LIST

FREEZER DOOR PARTS

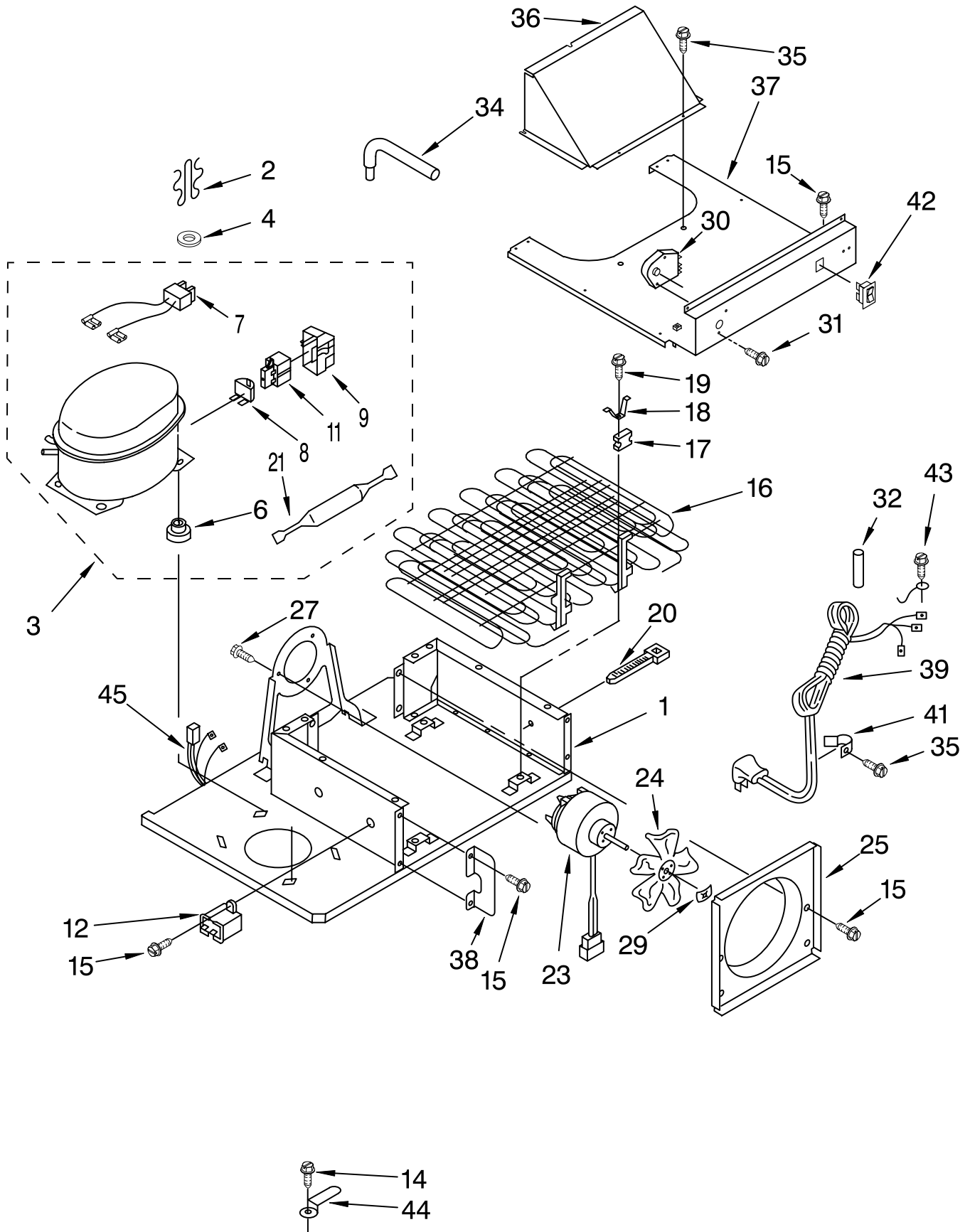
For Model: KSSS36MDX02

Illus. No.	Part No.	DESCRIPTION
1	2003876	Freezer Door Panel (Includes Insulation)
3	2002074	Hinge, Bottom
4	489282	Screw
5	2001984	Hinge, Top
7	1112533	Gasket Retainer, Side (2)
8	1112538	Gasket Retainer, Top & Bottom
9	2000877	Door Gasket, Magnetic
10	486194	Screw (34)
11	2002226	Handle, Door
12	2001230	Washer
13	2002007	Door, Spacer
14	487052	Screw
15	2002206	Trim (Top)
17	2002948	Trim (Bottom)
18	2002198	Trim (Side)
19	2000177	Interior Door Panel
20	2003127	Shelf Bin (4)
21	939101	Screw Anchor

FOR ORDERING INFORMATION REFER TO PARTS PRICE LIST

UPPER UNIT PARTS

For Model: KSSS36MDX02



FOR ORDERING INFORMATION REFER TO PARTS PRICE LIST

UPPER UNIT PARTS

For Model: KSSS36MDX02

Illus. No.	Part No.	DESCRIPTION
1	2003398	Assembly, Unit Base
2	2163787	Clip, Compressor Mounting (4)
3	2169426	Compressor (Includes Items 7, 8, 9, 11, 12 & 21) (Also Order 876765 Tube Kit)
4	680975	Washer
5	2003389	Bushing, Foam
6	2163786	Grommet, Mounting
7	2172890	Wire Assembly
8	2154760	Overload (Includes Relay)
9	2162358	Terminal Cover
11		Relay (See Overload)
12	2169137	Capacitor
14	486899	Screw
15	487869	Screw
16	2003392	Condenser
17	943447	Grommet (4)
18	1113019	Clamp (4)
19	487522	Screw

Illus. No.	Part No.	DESCRIPTION
20	851095	Wire Tie (2)
21	2164492	Drier
23	2169135	Motor, Fan
24	1108179	Blade, Fan
25	2003169	Orifice, Fan
27	489099	Screw (3)
29	486692	Speed Nut
30	2162044	Defrost Timer
31	488911	Screw
32	2000645	Sleeve, Condenser
34	2003011	Process, Tube
35	486194	Screw
36	2003174	Cover, Fan
37	2003355	Cover, Condenser
38	2003263	Air Vane
39	2003381	Service Cord
41	1113162	Clamp, Cord (2)
42	1113229	Switch, Power Disconnect
43	488879	Screw, Ground
44	653035	Clip, Cord Plug
45	2003356	Wiring Harness, Unit Compartment

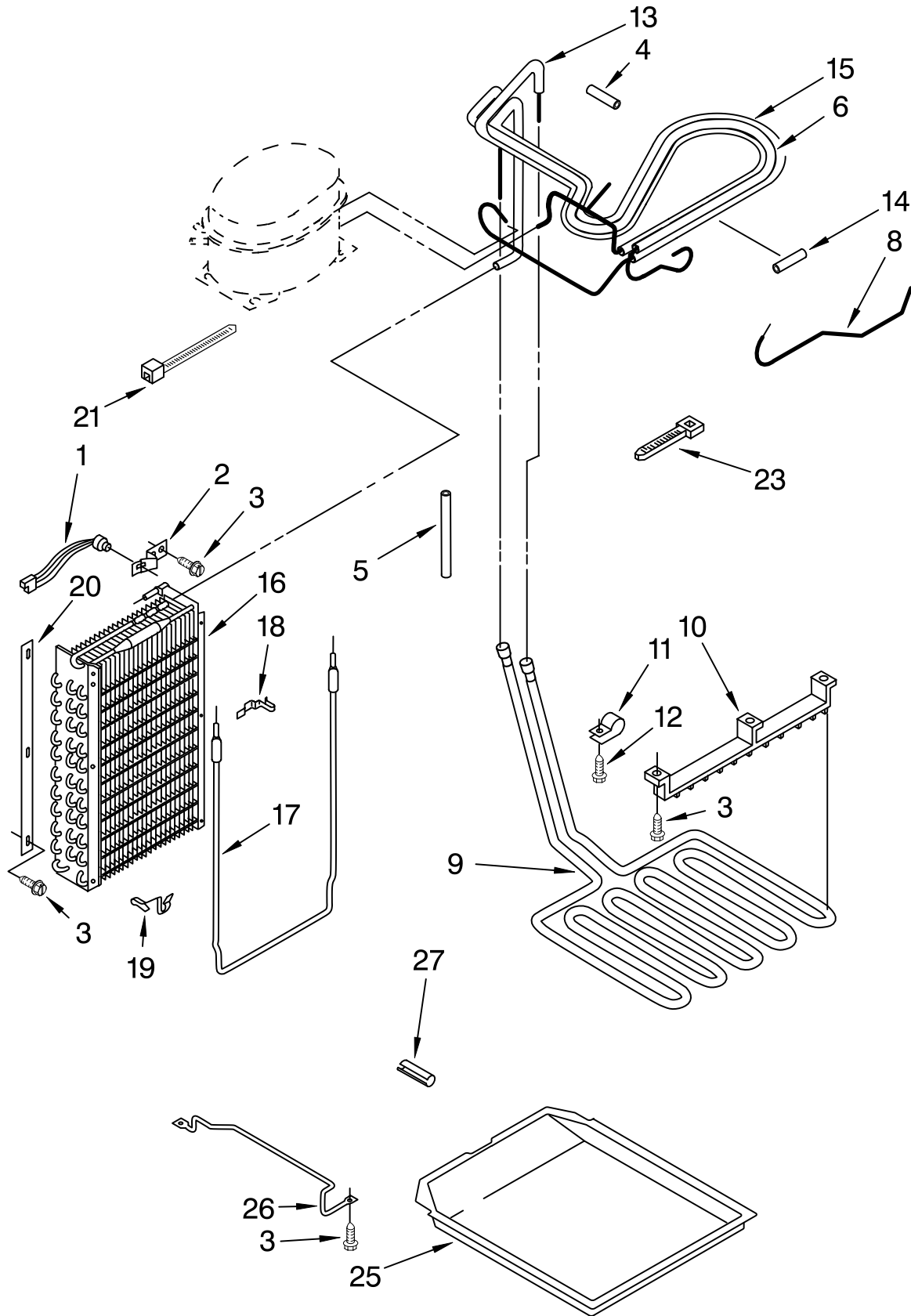
Illus. No.	Part No.	DESCRIPTION
Following Parts Not Illustrated and Optional Parts Not Included		
	978025	Valve, Access (1/4")
	978026	Valve, Access (5/16")
	978027	Valve, Access (3/8")
	978028	Valve, Access (1/2")
	978029	Valve, Access (5/8")
	978030	Valve, Access (3/4")
	876764	Valve, Access (3/16")
REFRIGERANT CHARGE		
		7.0 oz. (R-134A)



FOR ORDERING INFORMATION REFER TO PARTS PRICE LIST

LOWER UNIT AND TUBE PARTS

For Model: KSSS36MDX02



FOR ORDERING INFORMATION REFER TO PARTS PRICE LIST

LOWER UNIT AND TUBE PARTS

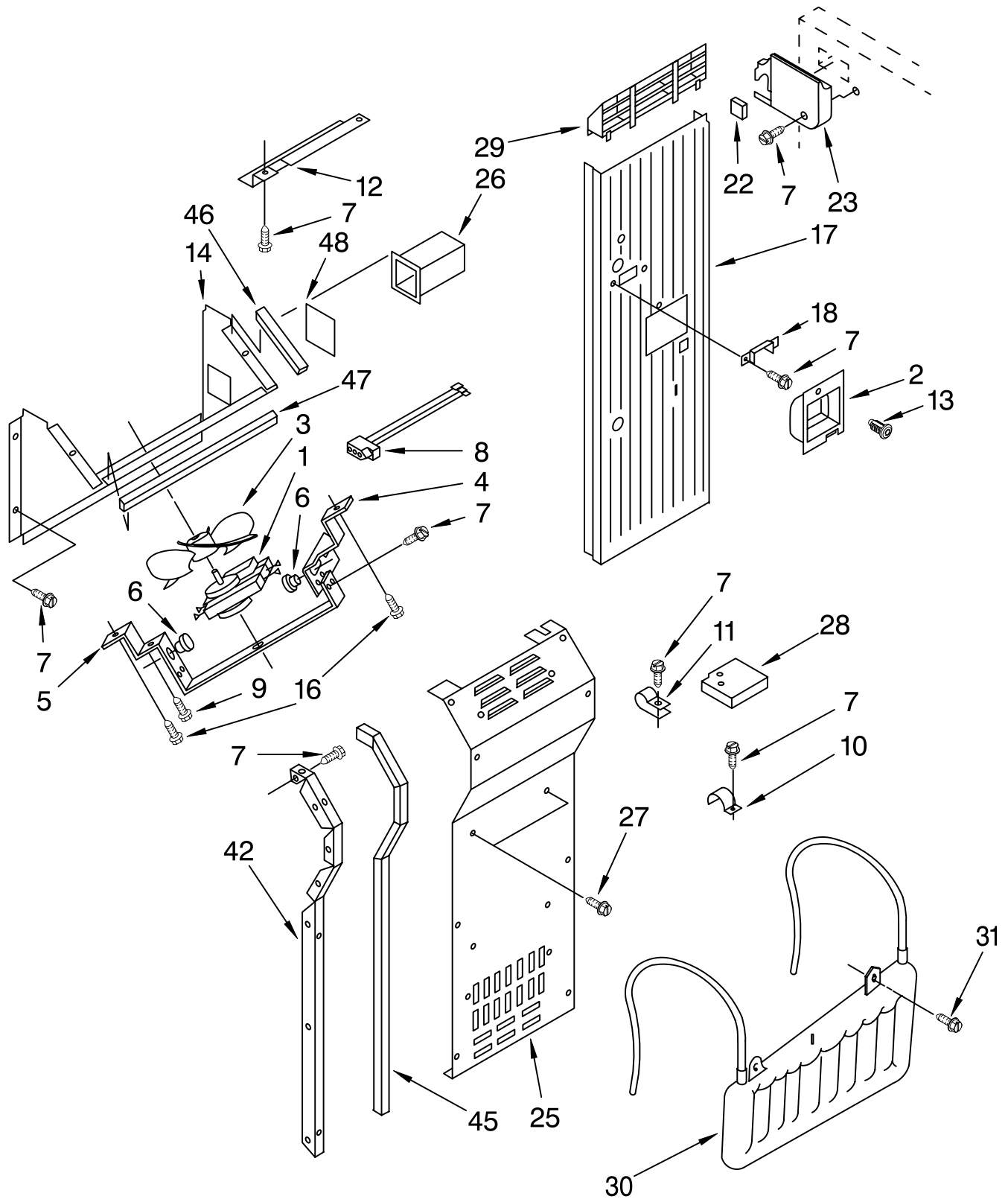
For Model: KSSS36MDX02

Illus.	Part	
No.	No.	DESCRIPTION
1	2000528	Defrost Bi-Metal
2	1113043	Clamp, Bi-Metal
3	486194	Screw
4	2003271	Sleeve
5	2002171	Sleeve
6	2002999	Condenser Inlet Tube
8	2003015	Tube, Connect (Drier)
9	2002992	Heater, Drain Pan
10	1113062	Hanger, Heater
11	1113105	Bracket, Heater
12	487534	Screw
13	2002995	Tube, Discharge
14	2003272	Sleeve
15	2003001	Heat Exchanger
16	2002964	Evaporator
17	2000630	Heater, Defrost
18	1113048	Clamp, Heater (2)
19	1108431	Clamp, Heater (2)
20	1112844	Gasket, Evaporator
21	857547	Wire Tie
23	851095	Strap
25	2001264	Drain Pan
26		Bracket, Drain Pan
	1113206	Left
	1113207	Right
27	513942	Dampener

FOR ORDERING INFORMATION REFER TO PARTS PRICE LIST

AIR FLOW AND RESERVOIR PARTS

For Model: KSSS36MDX02



FOR ORDERING INFORMATION REFER TO PARTS PRICE LIST

AIR FLOW AND RESERVOIR PARTS

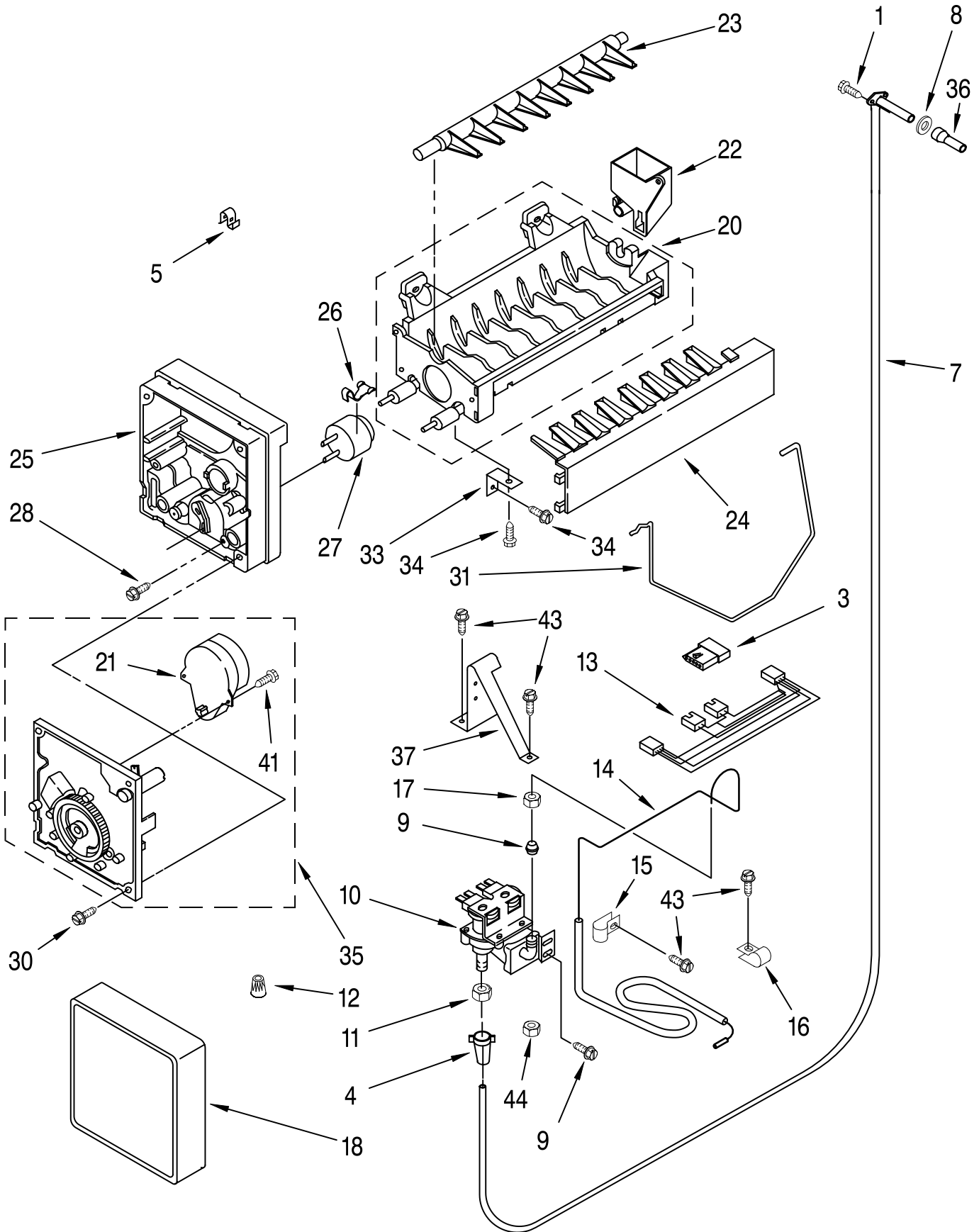
For Model: KSSS36MDX02

Illus. No.	Part No.	DESCRIPTION
1	2003200	Fan Motor
2	2002732	Cup, Clearance
3	2169142	Fan Blade
4	548263	Bracket (Double)
5	938224	Bracket (Single)
6	548268	Grommet
7	486194	Screw
8	2000618	Motor, Wiring
9	488500	Screw, Ground
10	488366	Clamp, Tube
11	489348	Clamp, Nylon
12	2001145	Channel, Wiring
13	1112871	Fastner
14	2000783	Scroll, Fan
16	488772	Screw
17	2002960	Assembly, Air Duct
18	2000048	Air Deflector, Icemaker
22	1112869	Gasket, Air Baffle
23	1113942	Cover, Air Outlet
25	2000339	Cover, Evaporator
26	2000797	Connector, Meat Pan Duct
27	487539	Screw
28	1112840	Baffle, Evaporator
29	1112851	Diffuser, Air Duct
30	2000861	Reservoir
31	488280	Screw
42		Evaporator, Cover Rail
	2000686	Left Side
	2000685	Right Side
45	2001337	Gasket (2) Evaporator Cover
46	2001079	Gasket (2)
47	2001080	Gasket
48	2001081	Gasket

FOR ORDERING INFORMATION REFER TO PARTS PRICE LIST

ICEMAKER PARTS

For Model: KSSS36MDX02



FOR ORDERING INFORMATION REFER TO PARTS PRICE LIST

ICEMAKER PARTS

For Model: KSSS36MDX02

Illus. No.	Part No.	DESCRIPTION	Illus. No.	Part No.	DESCRIPTION	Illus. No.	Part No.	DESCRIPTION
1	489084	Screw	15	489348	Clamp, Nylon Valve	28	489322	Screw
3	2154472	Connector				30	489276	Screw
4	841707	Insert, Tube	16	2001087	Clamp Tube	31	2171593	Shut Off Arm
5	628379	Clip, Fuse	17	487857	Nut	33	2171952	Bracket
7	2001606	Water Inlet Tube Assembly	18	628355	Cover	34	489242	Screw
8	1106508	Seal Gasket	20	628228	Mold & Heater (Also Order 542638 Silicone Grease)	35	628399	Module Assembly (Includes Items 21 & 41)
9	487627	Sleeve, Nut				36	2001098	Water Inlet Tube
10	2181729	Valve, Solenoid	21	628398	Motor	37	2000803	Water Valve Mounting Bracket
11	627018	Nut, Compression	22	628356	Cup-Water Fill			
12	227991	Connector, Wire	23	627843	Ejector	41	489136	Screw (2)
13	2003477	Water Valve, Harness	24	627788	Ice Striper	43	486194	Screw
14	2001353	Copper, Water Line	25	627790	Support	44	1129179	Compression Nut
			26	627796	Retainer Thermostat (2)	100	4317943	Complete Icemaker Assembly
			27	627985	Thermostat (Also Order 542639 Cement Alumilastic)			

PARTS NOT ILLUSTRATED

Illus. No.	Part No.	DESCRIPTION
------------	----------	-------------

Following Parts Not Illustrated
(Optional Parts Only)

- 4318635 Front Panel Kit (White)
- 4318632 Front Panel Kit (Black)
- 4318638 Front Panel Kit (Almond)
- 4318641 Front Panel Kit (Stainless Steel)

Black Acrylic
Static Cleaner Part No. 978849

LITERATURE PARTS

- LIT2002906 Use & Care Guide
- LIT2002913 Energy Label
- LIT2002934 Service & Wiring Sheet
- LIT628370 Modular Icemaker Service Sheet
- LIT2002941 Installation Instructions

FOR ORDERING INFORMATION REFER TO PARTS PRICE LIST