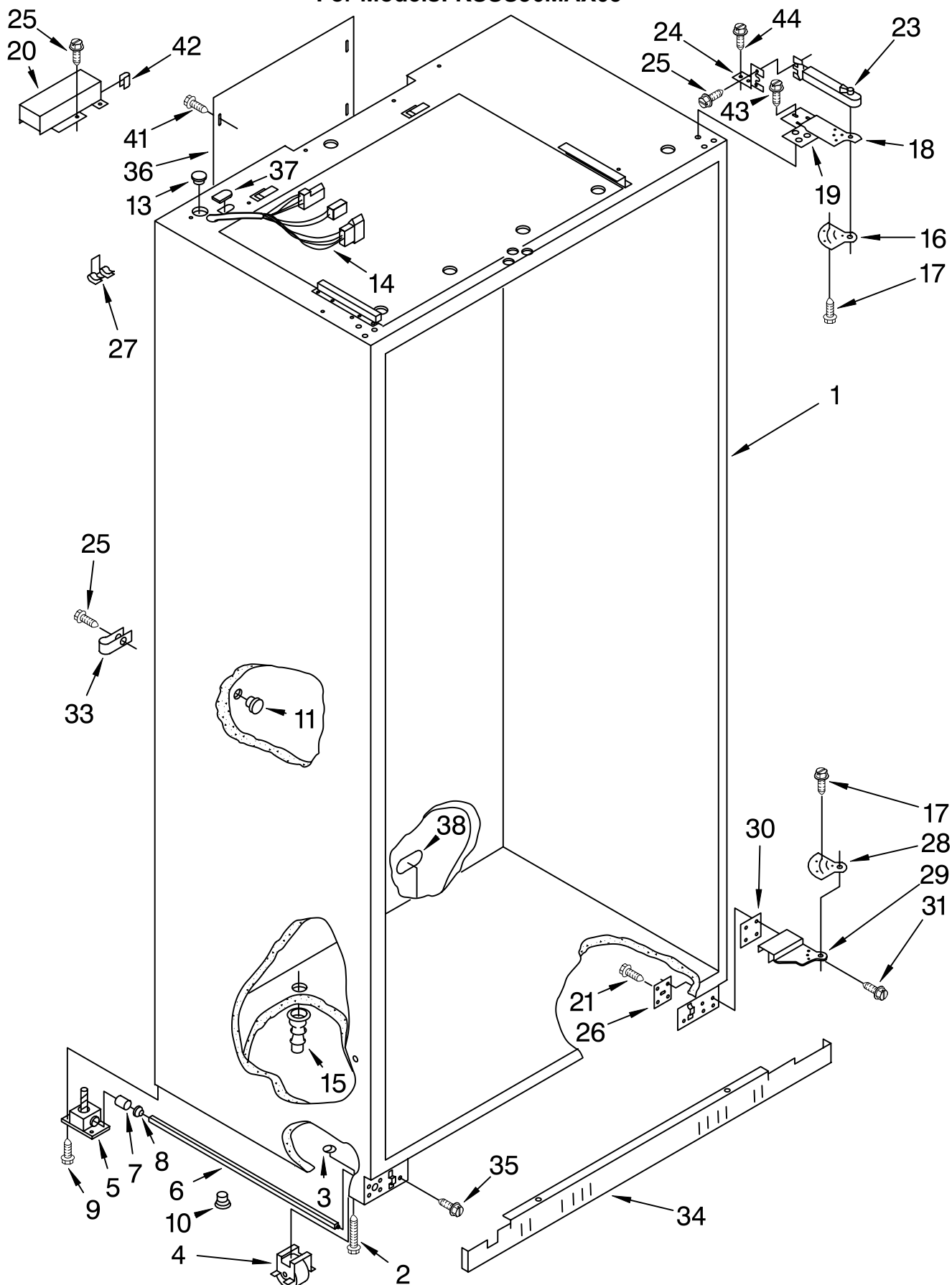


KitchenAid®

CABINET PARTS

For Models: KSSS36MAX05

REFRIGERATOR



FOR ORDERING INFORMATION REFER TO PARTS PRICE LIST

CABINET PARTS

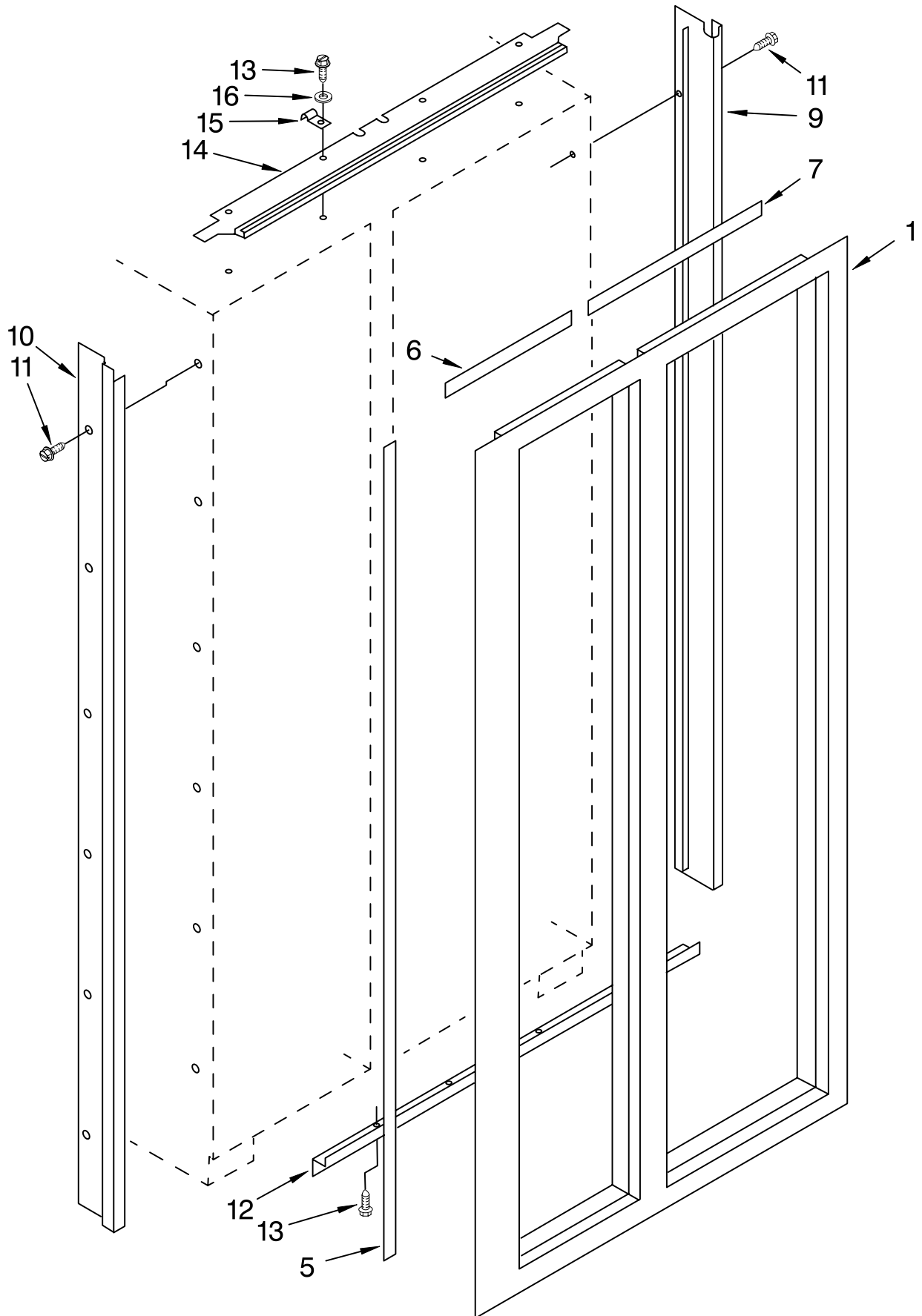
For Models: KSSS36MAX05

Illus. Part No. No.	DESCRIPTION	Illus. Part No. No.	DESCRIPTION	Illus. Part No. No.	DESCRIPTION
1	Cabinet (Not A Serviceable Part)	16	Gap, Cover Assembly (Top)	29	Hinge (Bottom)
2	1112019 Leveler, Front (2)	2000305	Left Side	2001733	Left Side
3	1113249 Retainer (2)	2000304	Right Side	2001732	Right Side
4	1112023 Roller, Front & Rear (4)	17 2001295	Shoulder Screw	30 1112942	Shim, Hinge (1)
5	1112695 Leveler, Adjustable (2)	18	Hinge (Top)	1112943	Shim, Hinge (2)
6	2000670 Adjusting Rod (2)	2000306	Left Side	31 2000490	Screw, 1/4-28 x 3/4
7	1113250 Sleeve, Retainer (2)	2000307	Right Side	33 2001266	Tube clamp
8	1112937 Bushing, Rod (2)	19 2000770	Shim, Hinge Top	34 2001962	Grille Base, Front
9	489359 Screw	20 1112805	Guard, Wiring	35 489238	Screw (6)
10	1112939 Hole Plug, Leveler	21 487534	Screw (2)	36 2000727	Cover, Rear
11	1112849 Cap, Grommet	23 1112992	Door Closer Assembly (2)	37 1113123	Grommet, Wiring
13	1113122 Grommet, Wiring	24 2000333	Bracket, Door Closer	38 1113079	Grommet, Flexible
14	2000833 Wiring Harness, Cabinet	25 486194	Screw, 8 x 1/2	41 2001377	Screw
15	1112848 Drain Fitting	26 1112973	Tap Plate, Hinge Butt (2)	42 2000530	Grommet
		27 1113227	Fastener (3)	43 2001415	Screw (4)
		28	Gap, Cover Assembly (Bottom)	44 489359	Screw
		2001200	Left Side		
		2001199	Right Side		

FOR ORDERING INFORMATION REFER TO PARTS PRICE LIST

CABINET TRIMS AND BREAKER TRIM PARTS

For Models: KSSS36MAX05



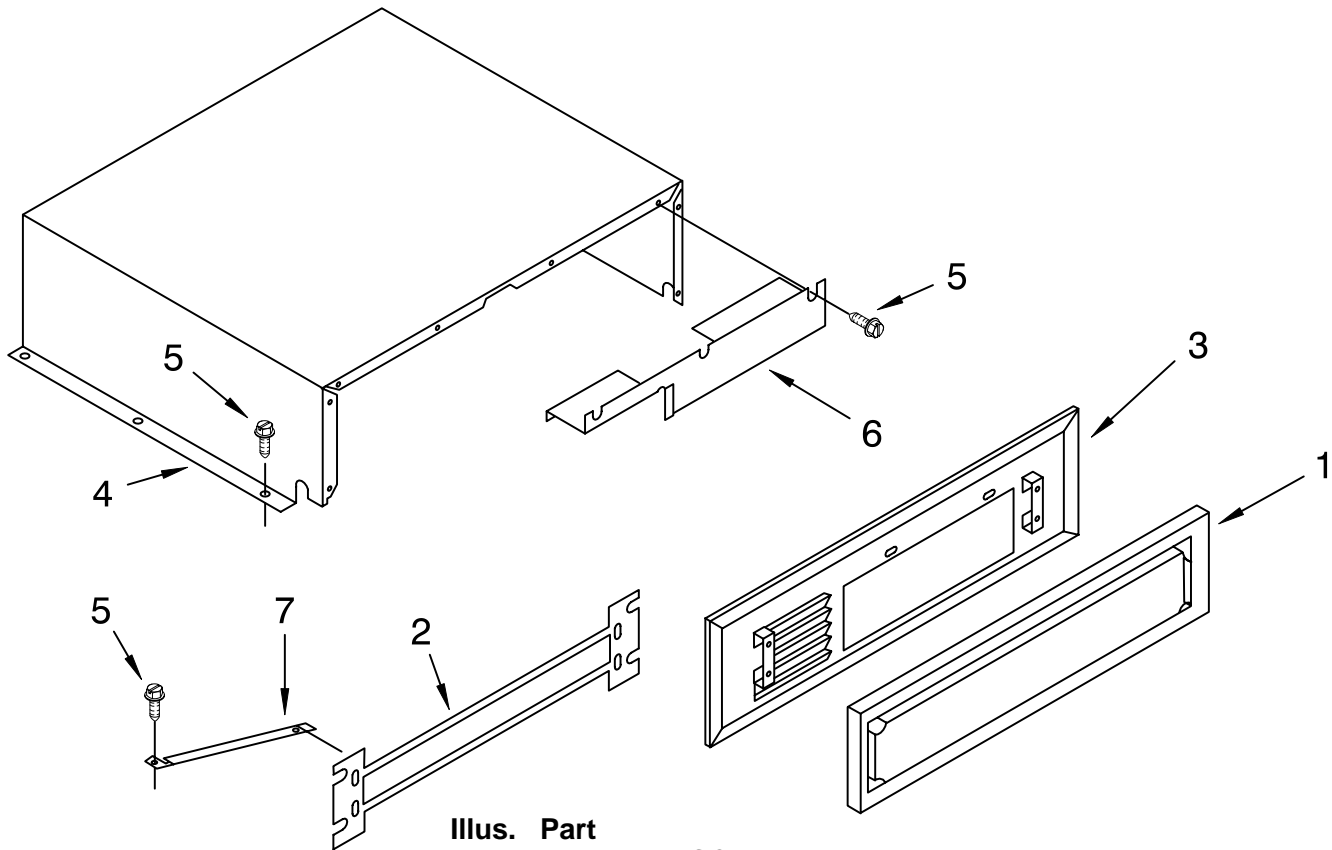
FOR ORDERING INFORMATION REFER TO PARTS PRICE LIST

CABINET TRIMS AND BREAKER TRIM PARTS

For Models: KSSS36MAX05

Illus. No.	Part No.	DESCRIPTION	Illus. No.	Part No.	DESCRIPTION	Illus. No.	Part No.	DESCRIPTION
1	2001762	Breaker Trim & Retainer Assembly	9	2000321	Cabinet, Trim R.S	13	488649	Screw, 8-32 x 1/2 (8)
5	1112682	Magnet, Side (4)	10	2000322	Cabinet, Trim L.S	14	2001309	Cabinet, Trim Top
6	1112683	Magnet, Freezer (2)	11	2001297	Screw	15	2000007	Retainer, Unit Base (2)
7	1112679	Magnet, Refrigerator (2)	12	1112800	Cabinet, Trim (Bottom)	16	487944	Washer (2)

TOP GRILLE AND UNIT COVER PARTS

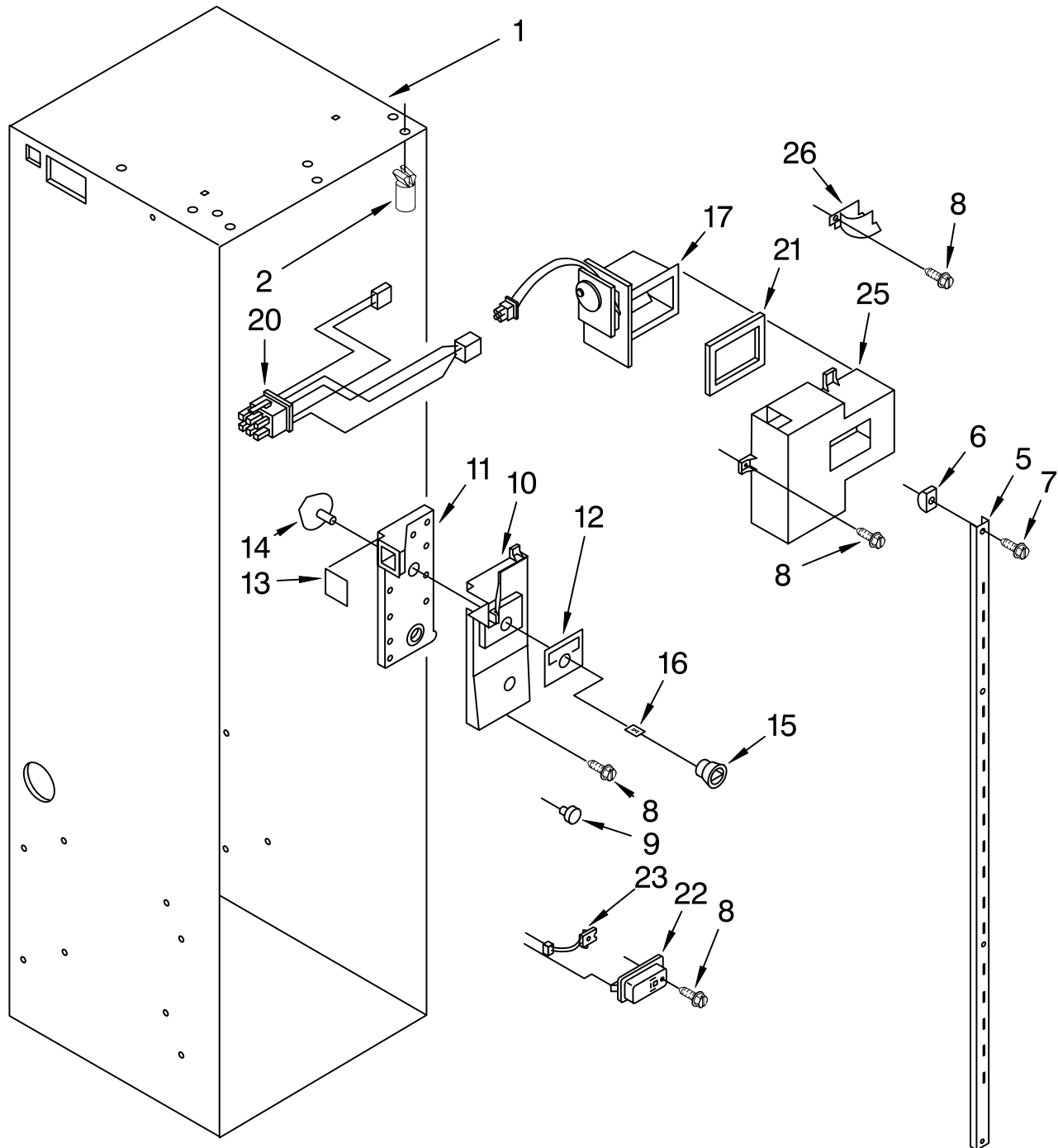


Illus. No.	Part No.	DESCRIPTION
1	2001315	Decorative Panel Assembly
2	1113313	Back Up Panel
3	2001577	Top Grille Assembly
4	2001088	Cover, Unit
5	486194	Screw, 8 x 1/2
6	1113300	Cover, Component Assembly
7	1113317	Brace

FOR ORDERING INFORMATION REFER TO PARTS PRICE LIST

REFRIGERATOR LINER PARTS

For Models: KSSS36MAX05



FOR ORDERING INFORMATION REFER TO PARTS PRICE LIST

REFRIGERATOR LINER PARTS

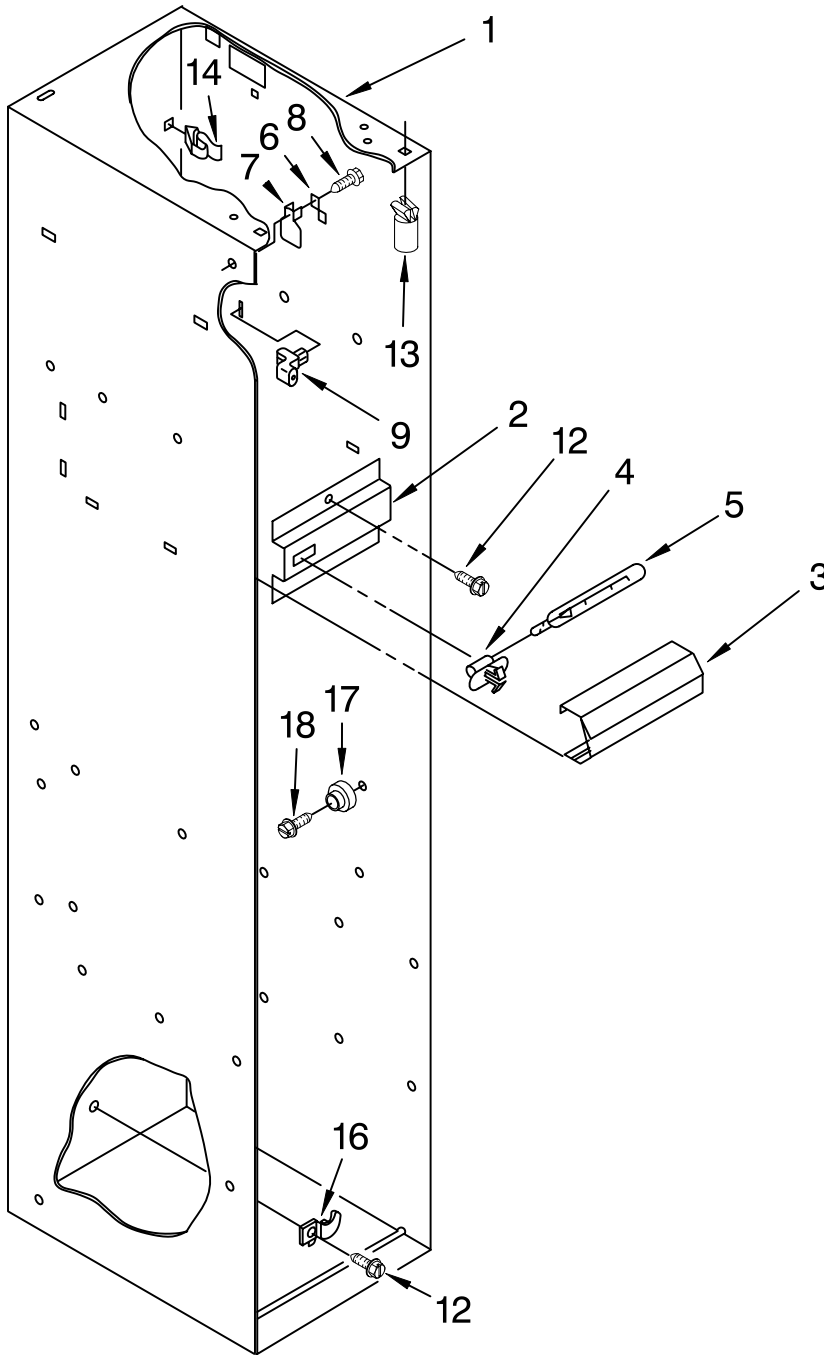
For Models: KSSS36MAX05

Illus. No.	Part No.	DESCRIPTION
1		LINER (Not A Serviceable Part)
2	1112591	Spacer, Control Panel (3)
5	2001117	Ladder, Shelf (2)
6	520965	Screw Support, Ladder (8)
7	488357	Screw, 8 x 1-1/4 (8)
8	486194	Screw, 8 x 1/2
9	1112257	Hole Plug
10	2000740	Meat Pan, Air Duct Cover (Also Order 12)
11	2000337	Meat Pan, Air Duct
12	2001302	Inlay, Control Meat Pan
13	2001326	Seal, Air Duct
14	1112218	Damper Control, Meat Pan
15	2001735	Control Knob, Meat Pan
16	837444	Retainer, Knob
17	2000343	Air Baffle Assembly
20	2001073	Wiring Harness, Air Baffle
21	2001146	Seal
22	1116793	Cover, Thermistor
23	1116959	Thermistor
25	2000736	Air Baffle Cover
26	2000527	Guard, Air Return

FOR ORDERING INFORMATION REFER TO PARTS PRICE LIST

FREEZER LINER PARTS

For Models: KSSS36MAX05

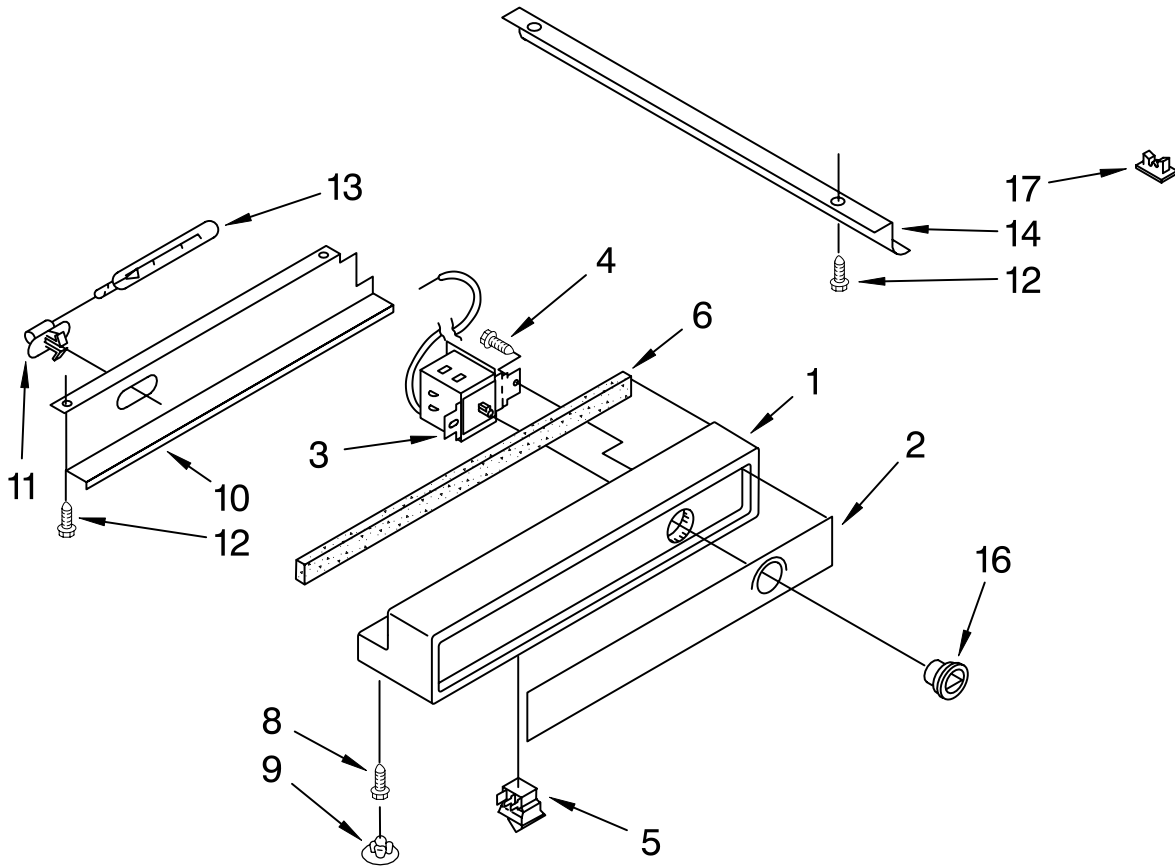


Illus. No.	Part No.	DESCRIPTION
1		Liner (Not A Serviceable Part)
2	1113649	Bracket, Light
3	1113650	Lens
4	1112613	Light, Socket
5	547225	Light, Bulb
6	538533	Support Clip, Icemaker (2)
7	2000193	Grommet, Screw (2)
8	488552	Screw, 10-12 x 3/8 (2)
12	486194	Screw, 8 x 1/2
13	1112591	Spacer, Control Panel (3)
14	842534	Clip, Air Duct (4)
16	1112260	Support, Evaporator
17	658944	Stud, Shelf (8)
18	487559	Screw, 8-15 x 1-1/4 (8)

FOR ORDERING INFORMATION REFER TO PARTS PRICE LIST

FREEZER CONTROL PANEL PARTS

For Models: KSSS36MAX05

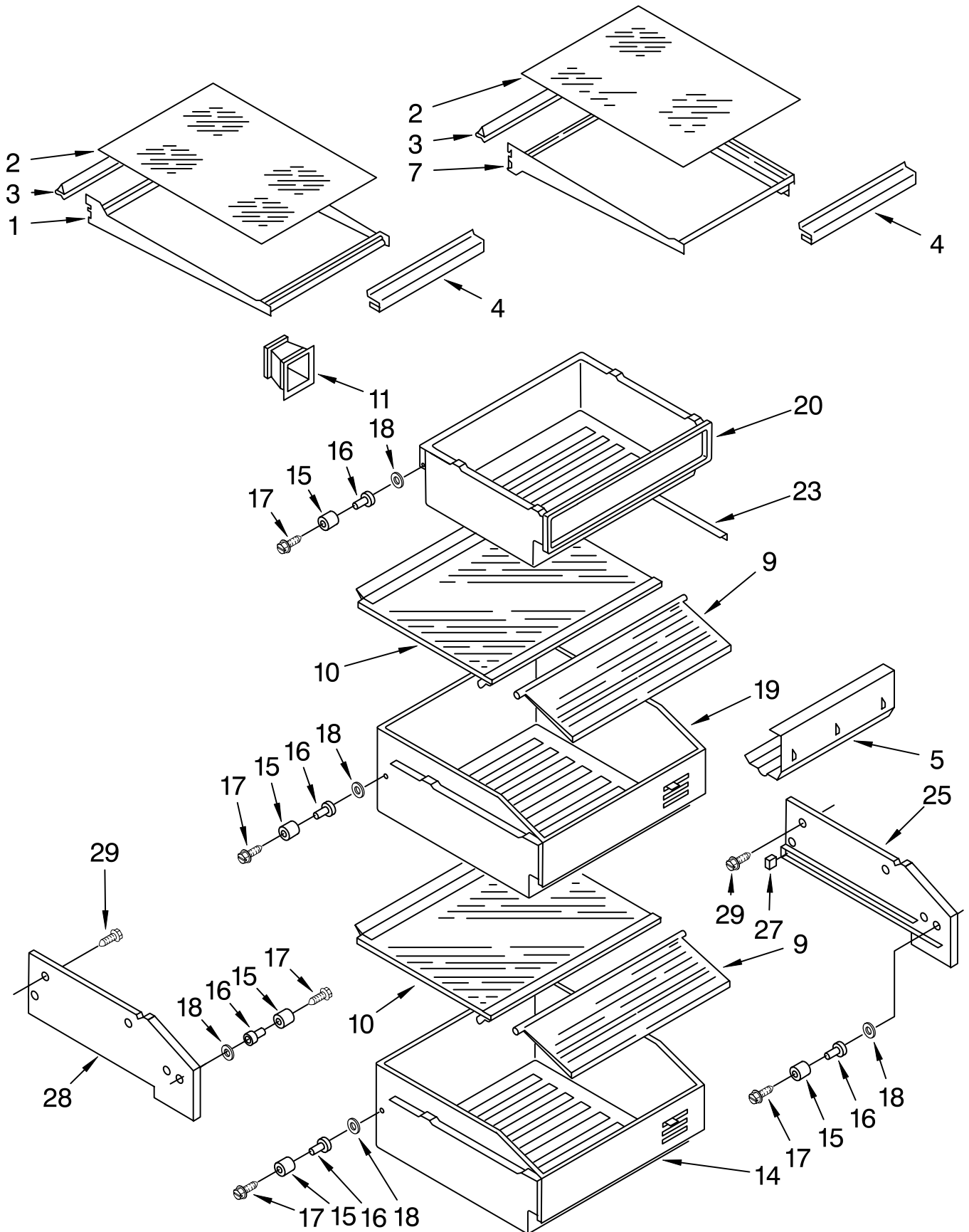


Illus. No.	Part No.	DESCRIPTION
1	1112595	Control Panel
2	1113963	Inlay, Control Panel
3	1113466	Thermostat & Barrier Assembly
4	488974	Screw (2)
5	1108112	Switch, Rocker Arm
6	1113132	Seal, Control Panel
8	489260	Screw (3)
9	2000153	Hole Plug (3)
10	1113767	Shield, Control Panel
11	1112613	Socket, Light
12	486194	Screw, 8 x 1/2
13	547225	Light Bulb
14	1112707	Channel, Wiring
16	2001737	Knob, Thermostat
17	1115375	Clip, Wiring

FOR ORDERING INFORMATION REFER TO PARTS PRICE LIST

REFRIGERATOR SHELF PARTS

For Models: KSSS36MAX05



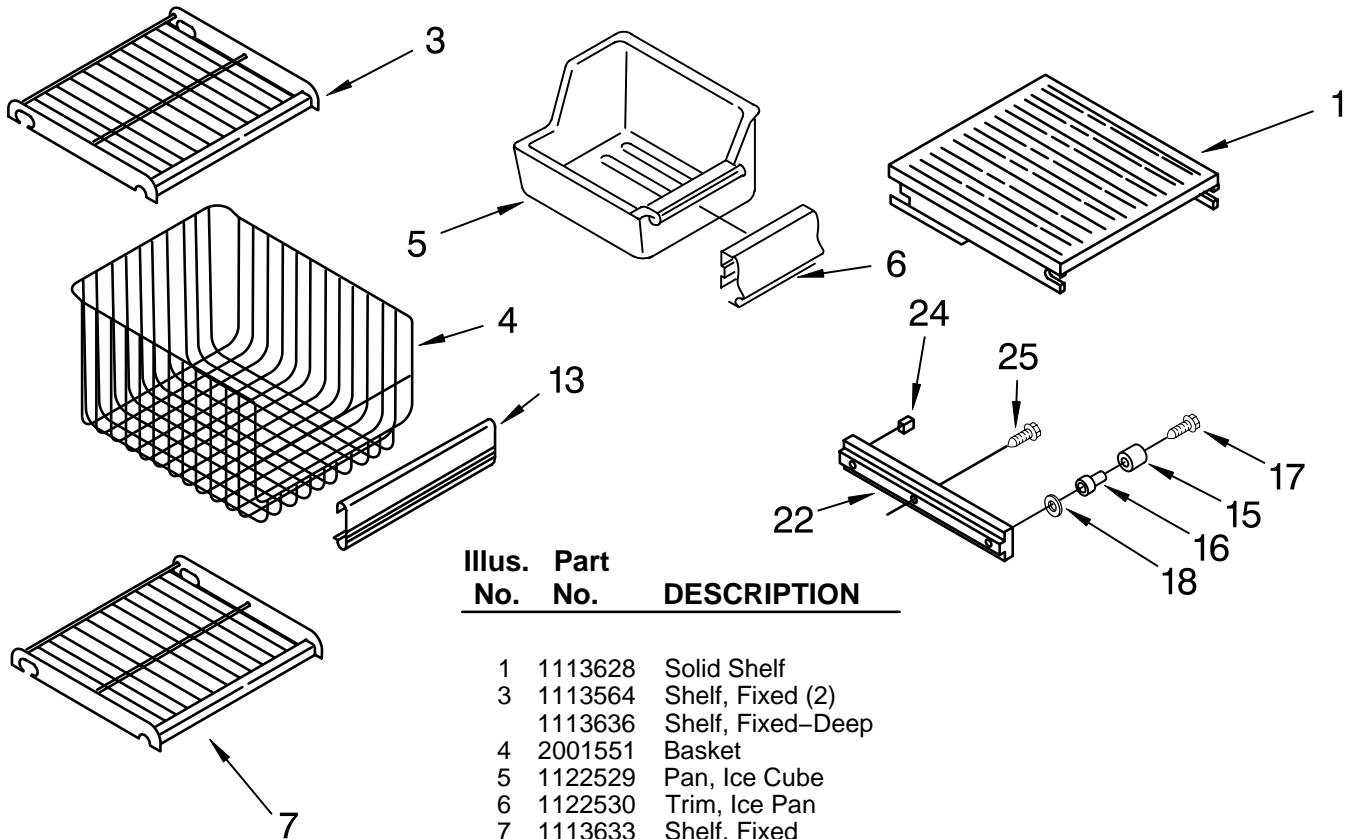
FOR ORDERING INFORMATION REFER TO PARTS PRICE LIST

REFRIGERATOR SHELF PARTS

For Models: KSSS36MAX05

Illus. No.	Part No.	DESCRIPTION	Illus. No.	Part No.	DESCRIPTION	Illus. No.	Part No.	DESCRIPTION
1	1113542	Frame, Shelf	10	2000154	Glass, Crisper	20	2000815	Meat Pan
2	1112297	Glass, Shelf	11	2000742	Meat Pan, Connector	23	1112324	Retainer, Glass
3	1113546	Reflector, Shelf	14	2000887	Crisper Pan	25	1112165	Crisper Spacer, Right Side (2)
4	1113790	Gasket, Glass (2)	15	1113870	Roller (Includes Relay)	27	1113169	Stop, Roller
5	1125913	Rack, Wine	16	1113871	Eyelet, Roller	28	1113890	Crisper Spacer, Left Side (2)
7	1113550	Frame, Assembly Meat Pan	17	489211	Screw, 10-16 x 3/4	29	486194	Screw, 8 x 1/2
9	1113893	Cover, Crisper	18	488307	Washer			
			19	2000891	Utility Pan			

FREEZER SHELF PARTS

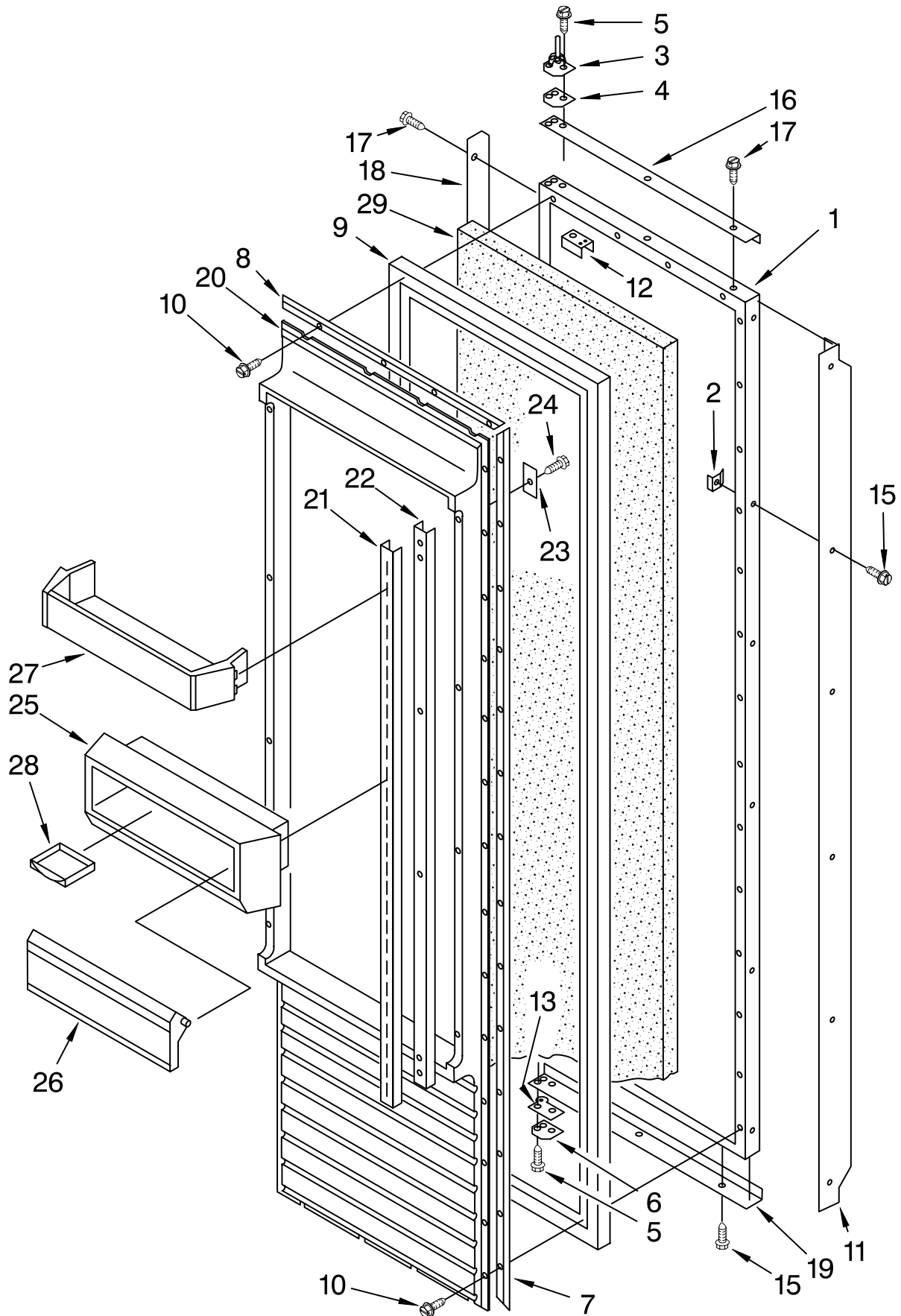


Illus. No.	Part No.	DESCRIPTION
1	1113628	Solid Shelf
3	1113564	Shelf, Fixed (2)
	1113636	Shelf, Fixed-Deep
4	2001551	Basket
5	1122529	Pan, Ice Cube
6	1122530	Trim, Ice Pan
7	1113633	Shelf, Fixed Ice Pan
13	1113642	Trim, Basket
15	1113870	Roller
16	1113871	Eyelet, Roller
17	489211	Screw, 10-16 x 3/4
18	488307	Washer
22		Basket Slide
	2000061	Right Side
	2000062	Left Side
		Right Side (2)
24	1113169	Stop, Roller
25	486194	Screw, 8 x 1/2

FOR ORDERING INFORMATION REFER TO PARTS PRICE LIST

REFRIGERATOR DOOR PARTS

For Models: KSSS36MAX05



FOR ORDERING INFORMATION REFER TO PARTS PRICE LIST

REFRIGERATOR DOOR PARTS

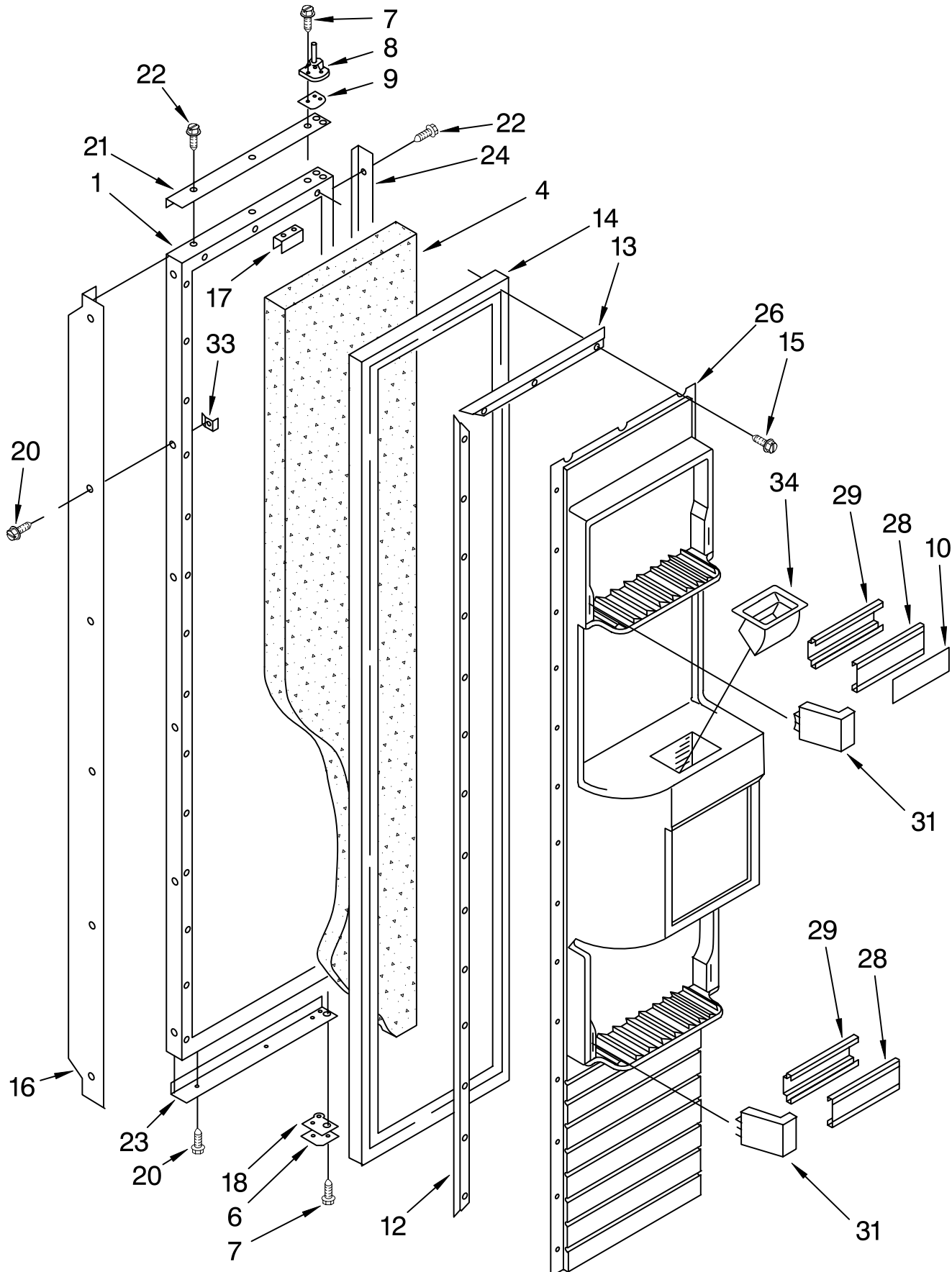
For Models: KSSS36MAX05

Illus. No.	Part No.	DESCRIPTION
1	2000693	Door Panel, Refrigerator (Also Order Item 29)
2	939101	Screw Anchor (8)
3	2000696	Hinge Assembly, Top
4	2000303	Spacer
5	489282	Screw
6	2000698	Hinge Assembly, Bottom
7	1112533	Gasket Retainer, Side (2)
8	1112539	Gasket Retainer, Top & Bottom
9	2000878	Door Gasket, Magnetic
10	489101	Screw, 7 x 1/2 (36)
11	2000323	Handle, Door
12	2000349	Tap, Plate
13	2000697	Door, Spacer Bottom
15	487052	Screw
16	2000315	Trim (Top)
17	489112	Screw
18	2000314	Trim (Side)
19	2000318	Trim (Bottom)
20	1113952	Panel, Interior Door
21	1113951	Ladder, Shelf (2)
22	1112530	Retainer, Shelf Ladder (2)
23	1112514	Back Up Plate (8)
24	486194	Screw, 8 x 1/2
25	1112720	Bin, Utility
26	1112735	Door, Utility Bin
27	2000911	Door Shelf (4)
28	1125936	Butter Tray
29	876029	Kit, Foam Slab (Required When Replacing Exterior Door Panel)

FOR ORDERING INFORMATION REFER TO PARTS PRICE LIST

FREEZER DOOR PARTS

For Models: KSSS36MAX05



FOR ORDERING INFORMATION REFER TO PARTS PRICE LIST

FREEZER DOOR PARTS

For Models: KSSS36MAX05

Illus. No.	Part No.	DESCRIPTION
1	2000714	Exterior Door Panel, Freezer (Also Order Item 4)
4	876029	Kit, Foam Slab (Required When Replacing Exterior Door Panel)
6	2000720	Hinge, Bottom
7	489282	Screw
8	2000721	Hinge, Top
9	2000303	Door Spacer
10	2001031	Overlay, Shelf
12	1112533	Gasket Retainer, Side (2)
13	1112538	Gasket Retainer, Top & Bottom
14	2000877	Door Gasket, Magnetic
15	489101	Screw, 7 x 1/2 (34)
16	2000324	Handle, Door
17	2000349	Tap, Plate
18	2000697	Door, Spacer
20	487052	Screw
21	2000326	Trim (Top)
22	489112	Screw
23	2000329	Trim (Bottom)
24	2000325	Trim (Side)
26	2000177	Panel, Interior Door
28	1112765	Door Shelf, Outer Trim
29	1112770	Door Shelf, Inner Trim
31	1112763	Support, Trim Ends
33	939101	Screw Anchor

FOR ORDERING INFORMATION REFER TO PARTS PRICE LIST

UPPER UNIT PARTS

For Models: KSSS36MAX05

Illus. No.	Part No.	DESCRIPTION	Illus. No.	Part No.	DESCRIPTION	Illus. No.	Part No.	DESCRIPTION
1	2000681	Assembly, Unit Base	19	487522	Screw, 8-32 x 5/8 (4)			
2	1113386	Assembly, Sound Barrier	20	1113228	Wire Tie (2)			
3	4318252	Compressor (Includes Items 8, 9, 10, 11, 12, 13, 21) (Also Order 876765 Tube Kit)	21	1108023	Drier			
4	1105220	Bracket, Mounting	22	2000358	Mounting Bracket, Motor			
5	1105219	Grommet, Bracket	23	1113081	Motor, Fan			
6	1105200	Grommet, Mounting	24	2000352	Blade, Fan			
7	489334	Screw	25	2000351	Orifice, Fan			
8	1112956	Overload (Production (Includes Relay))	26	1113303	Gasket, Orifice			
	1101000	Overload (Service) (Includes Relay)	27	488130	Nut (3)			
9	1105221	Terminal Cover Production	28	489368	Screw, 8 x 1/2 (3)			
	2154452	Service	29	486692	Speed Nut			
10	1105222	Strap, Cover	30	2162044	Defrost Timer			
11		Relay (See Overload)	31	488911	Screw, 6-20 x 3/8			
12	1105212	Running Capacitor	32	2000645	Sleeve, Condenser			
13	1108065	Starting Capacitor	33	1113066	Clamp, Tube (2)			
14	1108033	Clamp	34	1113059	Process, Tube			
15	487869	Screw, 8 x 3/8	35	486194	Screw, 8 x 1/2			
16	1113015	Condenser	36	2000853	Cover, Fan			
17	943447	Grommet (4)	37	1113028	Cover, Condenser			
18	1113019	Clamp (4)	38	1113076	Extension, Housing			
			39	937360	Service Cord			
			40	2001503	Seal Strip (2)			
			41	1113162	Clamp, Cord (2)			
			42	1113229	Switch, Power Disconnect			
			43	488879	Screw, Ground			
			44	653035	Clip, Cord Plug			
			45	2001077	Wiring Harness, Unit Compartment			
			47	2001079	Gasket (2)			
			48	486899	Screw			

Following Parts Not Illustrated and Optional Parts Not Included

978025	Valve, Access (1/4")
978026	Valve, Access (5/16")
978027	Valve, Access (3/8")
978028	Valve, Access (1/2")
978029	Valve, Access (5/8")
978030	Valve, Access (3/4")
876764	Valve, Access (3/16")

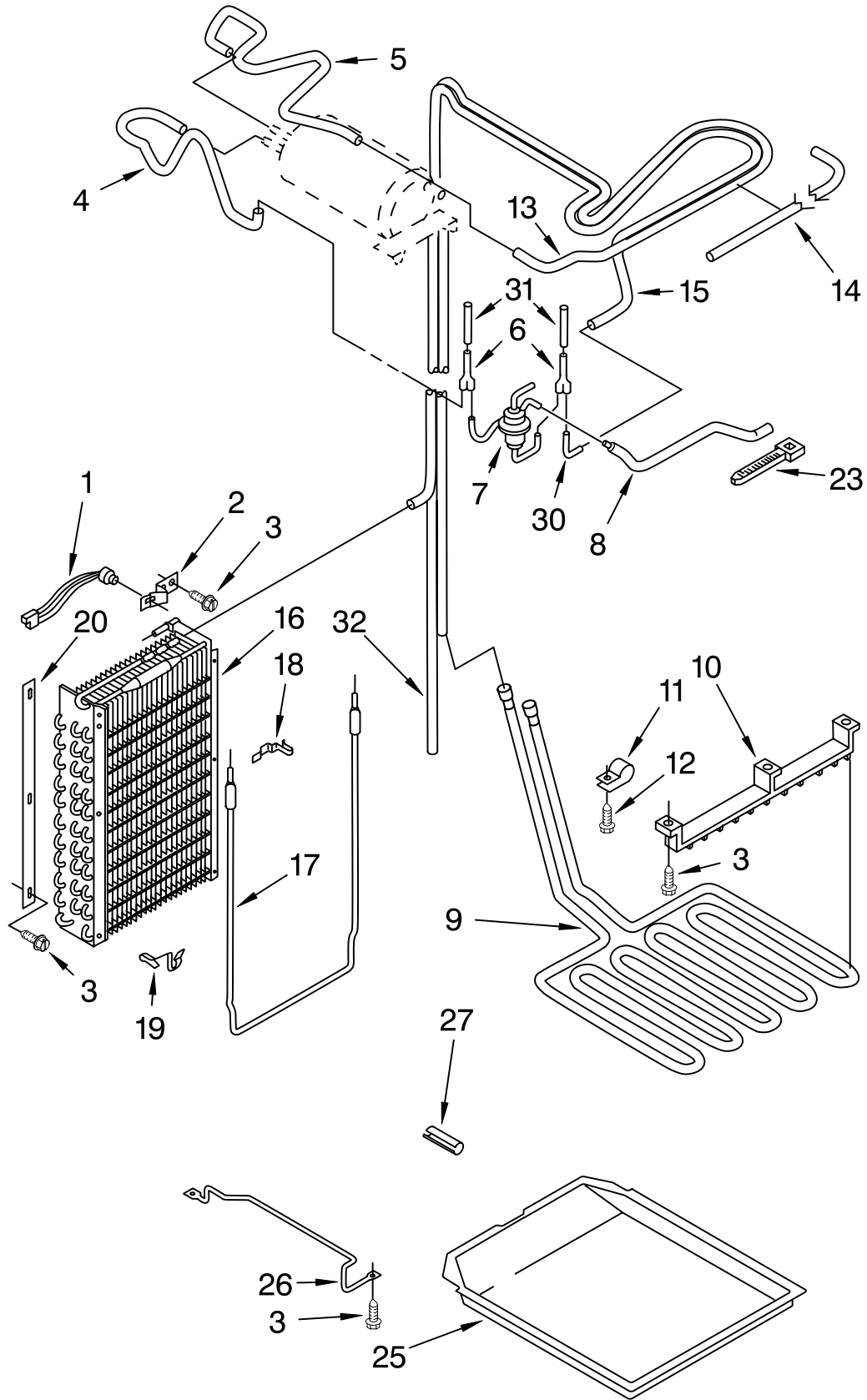
REFRIGERANT CHARGE

11.5 oz.

**Production Compressor Requires Production Electrical Components.
Service Compressor Requires Service Electrical Components.
For Further Information, Refer to Filmcard 19.1.**

LOWER UNIT AND TUBE PARTS

For Models: KSSS36MAX05



FOR ORDERING INFORMATION REFER TO PARTS PRICE LIST

LOWER UNIT AND TUBE PARTS

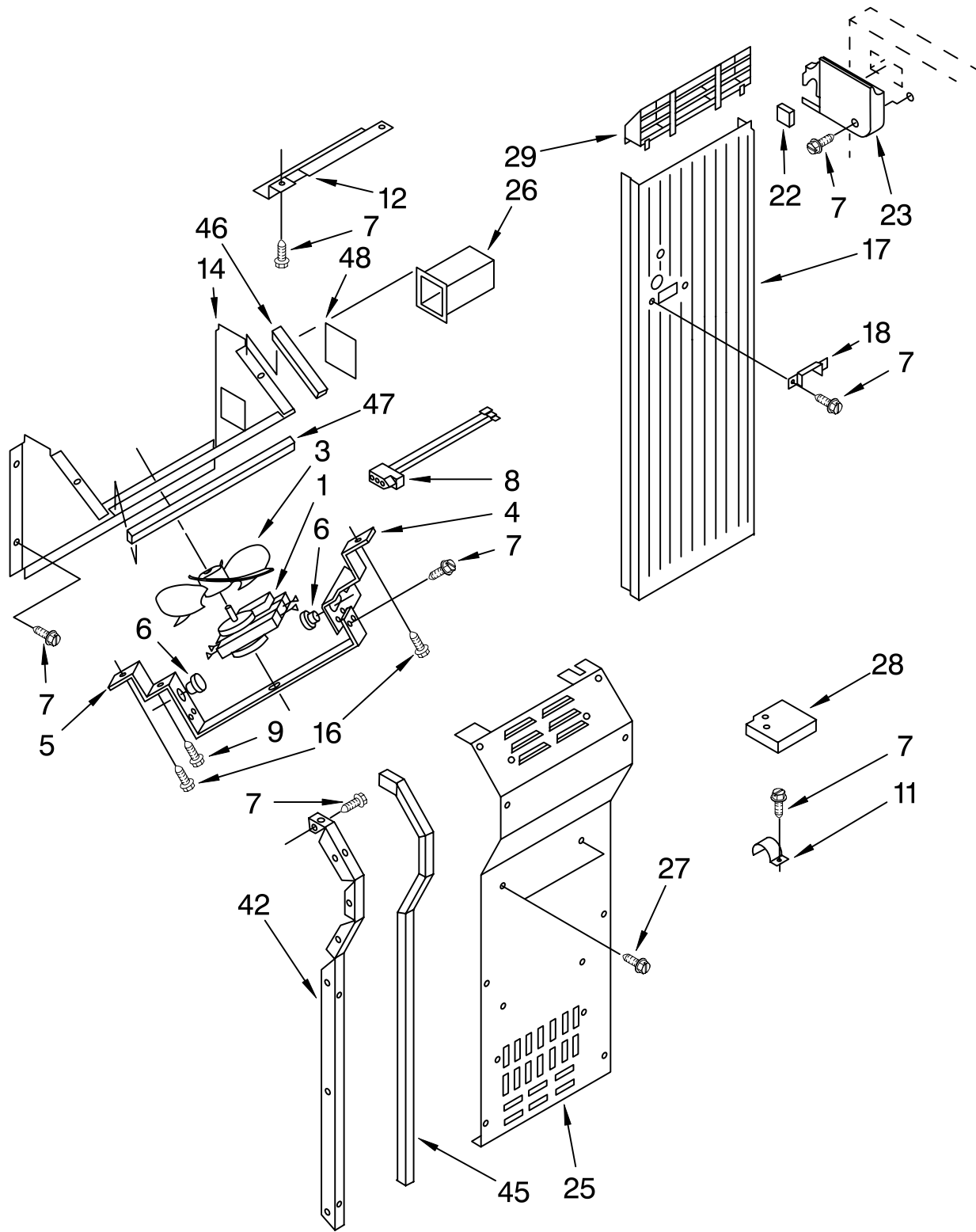
For Models: KSSS36MAX05

Illus. No.	Part No.	DESCRIPTION
1	2000528	Defrost Bi-Metal
2	1113043	Clamp, Bi-Metal
3	486194	Screw, 8 x 1/2
4	1113293	Tube, Connect (Suction)
5	1113209	Tube, Connect (Discharge)
6	1113296	Tube, Flow Divider (2)
7	1113292	Valve, Fluid Control
8	2001727	Tube, Connect (Drier)
9	2000754	Heater, Drain Pan
10	1113062	Hanger, Heater
11	1113105	Bracket, Heater
12	487534	Screw, 8 x 1
13	2000857	Tube, Discharge
14	2000860	Sleeve
15	2002106	Heat Exchanger
16	1113040	Evaporator
17	2000630	Heater, Defrost
18	1113048	Clamp, Heater (2)
19	1108431	Clamp, Heater (2)
20	1112844	Gasket, Evaporator
23	851095	Strap (7)
25	2001264	Drain Pan
26		Bracket, Drain Pan
	1113206	Left
	1113207	Right
27	513942	Dampener
30	1113384	Tube, Connect (Suction)
31	1113297	Tube (2)
32	1113096	Tube, Condenser Inlet

FOR ORDERING INFORMATION REFER TO PARTS PRICE LIST

AIR FLOW AND RESERVOIR PARTS

For Models: KSSS36MAX05



FOR ORDERING INFORMATION REFER TO PARTS PRICE LIST

AIR FLOW AND RESERVOIR PARTS

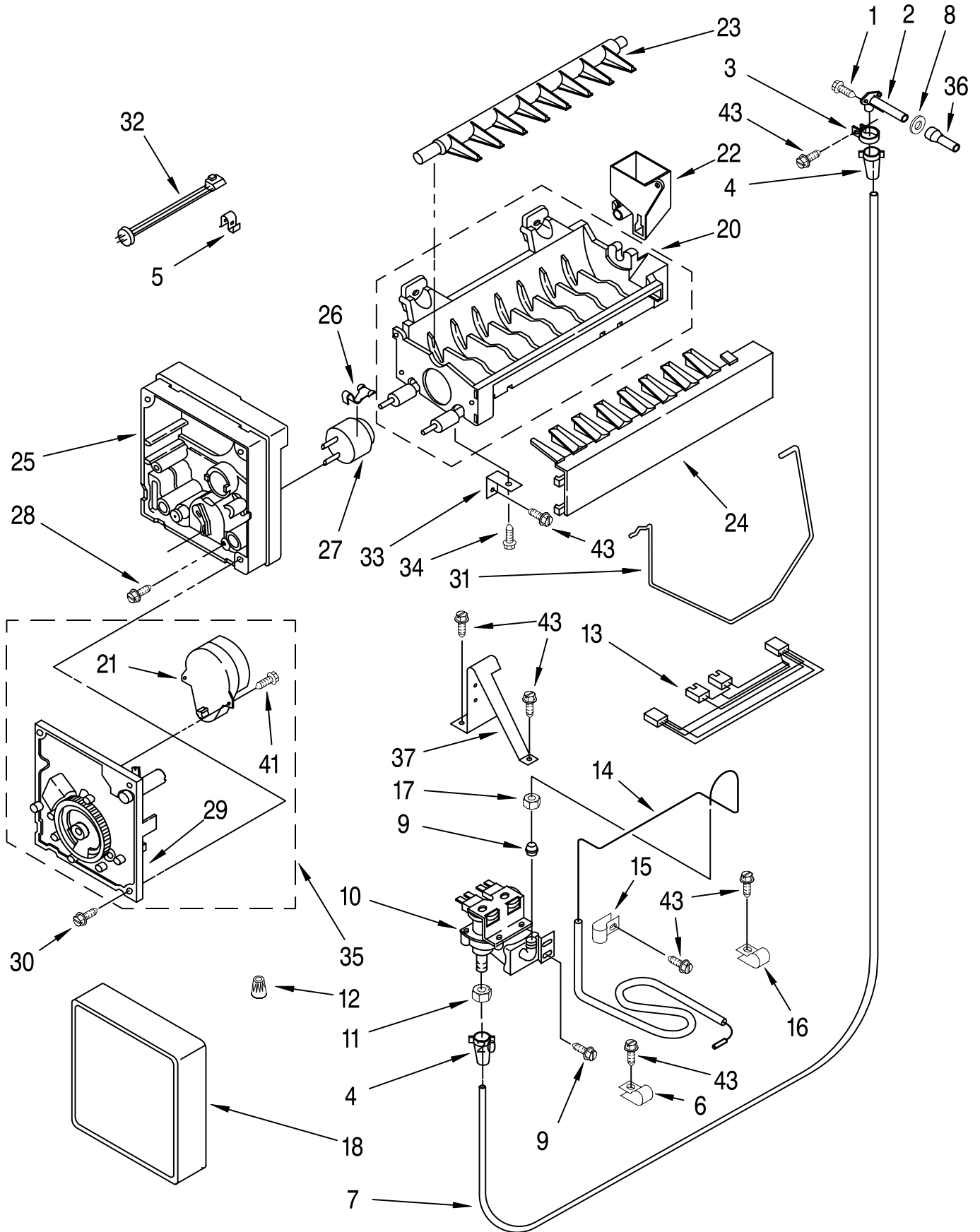
For Models: KSSS36MAX05

Illus. No.	Part No.	DESCRIPTION
1	2001086	Fan Motor
3	2154800	Fan Blade
4	548263	Bracket (Double)
5	938224	Bracket (Single)
6	548268	Grommet
7	486194	Screw, 8 x 1/2
8	2000618	Motor, Wiring
9	488500	Screw, Ground
11	488366	Clamp, Tube
	489348	Clamp, Nylon
12	2001256	Channel, Wiring
14	2000783	Scroll, Fan
16	488772	Screw, 8 x 1/2
17	2000747	Assembly, Air Duct
18	2000048	Air Deflector, Icemaker
22	1112869	Gasket, Air Baffle
23	1113942	Cover, Air Outlet
25	2000339	Cover, Evaporator
26	2000797	Connector, Meat Pan Duct
27	487539	Screw, 8 x 1/2
28	1112840	Baffle, Evaporator
29	1112851	Diffuser, Air Duct
42		Evaporator, Cover Rail
	2000686	Left Side
	2000685	Right Side
45	2001337	Gasket (2) Evaporator Cover
46	2001079	Gasket (2)
47	2001080	Gasket
48	2001081	Gasket

FOR ORDERING INFORMATION REFER TO PARTS PRICE LIST

ICEMAKER PARTS

For Models: KSSS36MAX05



FOR ORDERING INFORMATION REFER TO PARTS PRICE LIST

ICEMAKER PARTS

For Models: KSSS36MAX05

Illus. No.	Part No.	DESCRIPTION	Illus. No.	Part No.	DESCRIPTION	Illus. No.	Part No.	DESCRIPTION
1	489084	Screw, 8 x 1/2	16	1113066	Clamp Tube	28	489322	Screw, 10-32 x 49/64
2	2000829	Fitting, Water Tube	17	487857	Nut	29	628357	Module Assembly
3	2001087	Clamp, Tube	18	1113703	Cover	30	489276	Screw
4	841707	Insert, Tube	19	487294	Screw, 8-32 x 3/8 (2)	31	627792	Shut Off Arm
5	628379	Clip, Fuse	20	628228	Mold & Heater (Also Order 542638 Silicone Grease)	32	1113403	Harness, Wiring
6	2000392	Wire Clip	21	628258	Motor	33	627915	Bracket
7	2001260	Tube, Water (To Ice Maker)	22	628356	Cup-Water Fill	34	489365	Screw, 8-32 x 27/64
8	1106508	Seal Gasket	23	627843	Ejector	35	628366	Module Assembly (Includes Items 21, 29, 41)
9	487627	Sleeve, Nut	24	627788	Ice Striper	36	2001098	Water Inlet Tube
10	2001318	Valve, Solenoid	25	627790	Support	37	2000803	Water Valve Mounting Bracket
11	627018	Nut, Compression	26	627796	Retainer	41	489136	Screw, (2) 3-24 x 3/8
12	227991	Connector, Wire	27	627985	Thermostat (Also Order 542639 Cement Alumilastic)	43	488645	Screw, 8 x 1/2
13	2000837	Water Valve, Harness				100	4317943	Icemaker
14	2001353	Copper, Water Line						
15	489348	Clamp, Nylon Valve						

PARTS NOT ILLUSTRATED

Illus. No.	Part No.	DESCRIPTION
Following Parts Not Illustrated (Optional Parts Only)		

4318635	Front Panel Kit (White)
4318632	Front Panel Kit (Black)
4318638	Front Panel Kit (Almond)
4318641	Front Panel Kit (Stainless Steel)

Black Acrylic
Static Cleaner Part No. 978849

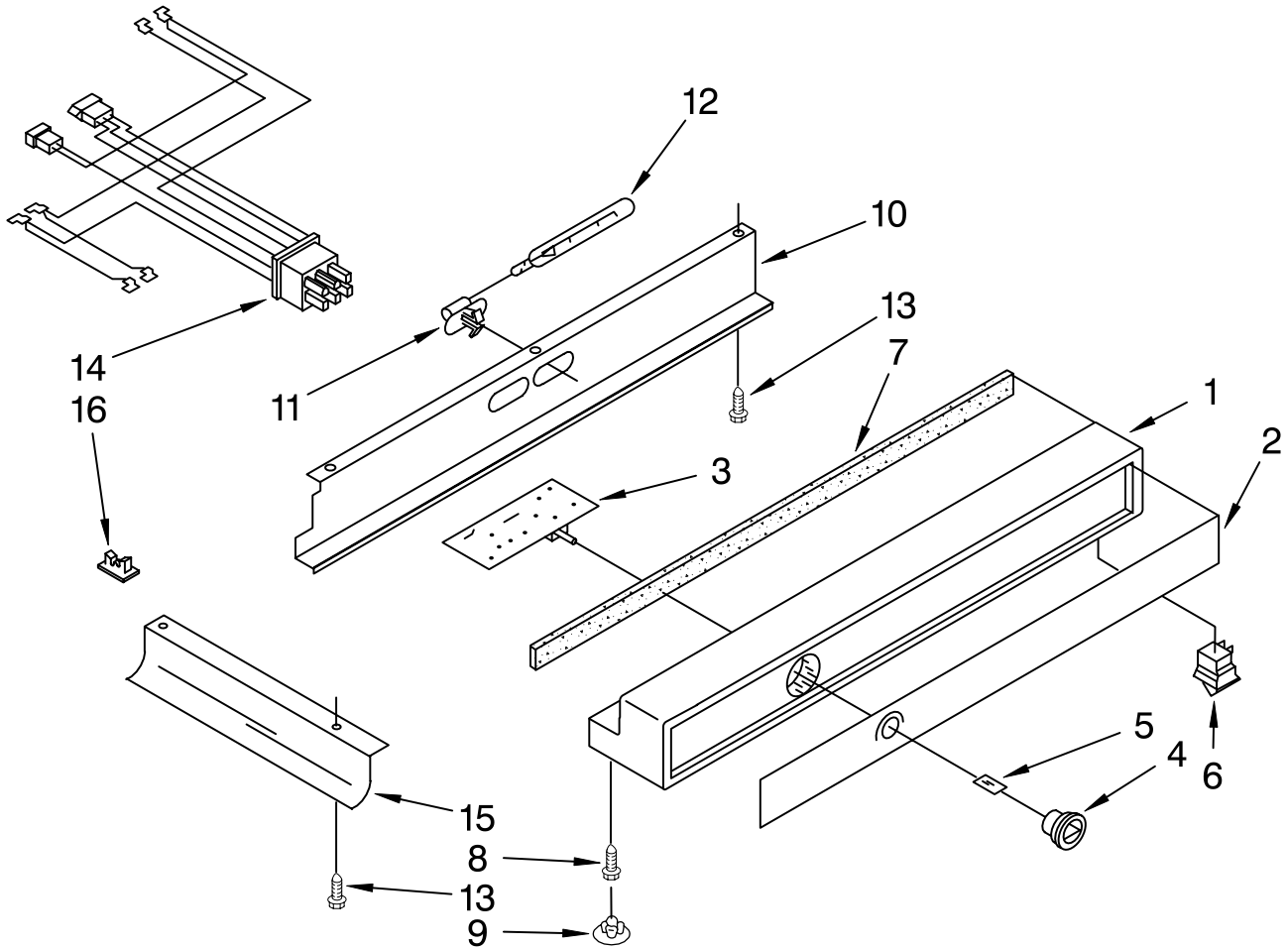
LITERATURE PARTS

LIT2001362	Use & Care Guide
LIT2001676	Energy Label
LIT2000850	Service & Wiring Sheet
LIT628370	Modular Icemaker Service Sheet
LIT2001094	Installation Instructions

FOR ORDERING INFORMATION REFER TO PARTS PRICE LIST

REFRIGERATOR CONTROL PANEL PARTS

For Models: KSSS36MAX05



Illus. No.	Part No.	DESCRIPTION
------------	----------	-------------

1	1112640	Control Panel
2	2000974	Inlay, Control Panel
3	2000789	Circuit Board
4	2001738	Control Knob
5	837444	Retainer, Knob
6	1108112	Switch, Rocker Arm
7	1113133	Seal, Control Panel
8	489260	Screw (3)
9	2000153	Hole Plug (3)
10	1113773	Shield, Control Panel
11	1112613	Socket, Light (2)
12	547225	Light Bulb (2)
13	486194	Screw, 8 x 1/2
14	2001074	Control, Harness
15	2001141	Channel, Wiring
16	1115375	Clip, Wiring (2)

FOR ORDERING INFORMATION REFER TO PARTS PRICE LIST