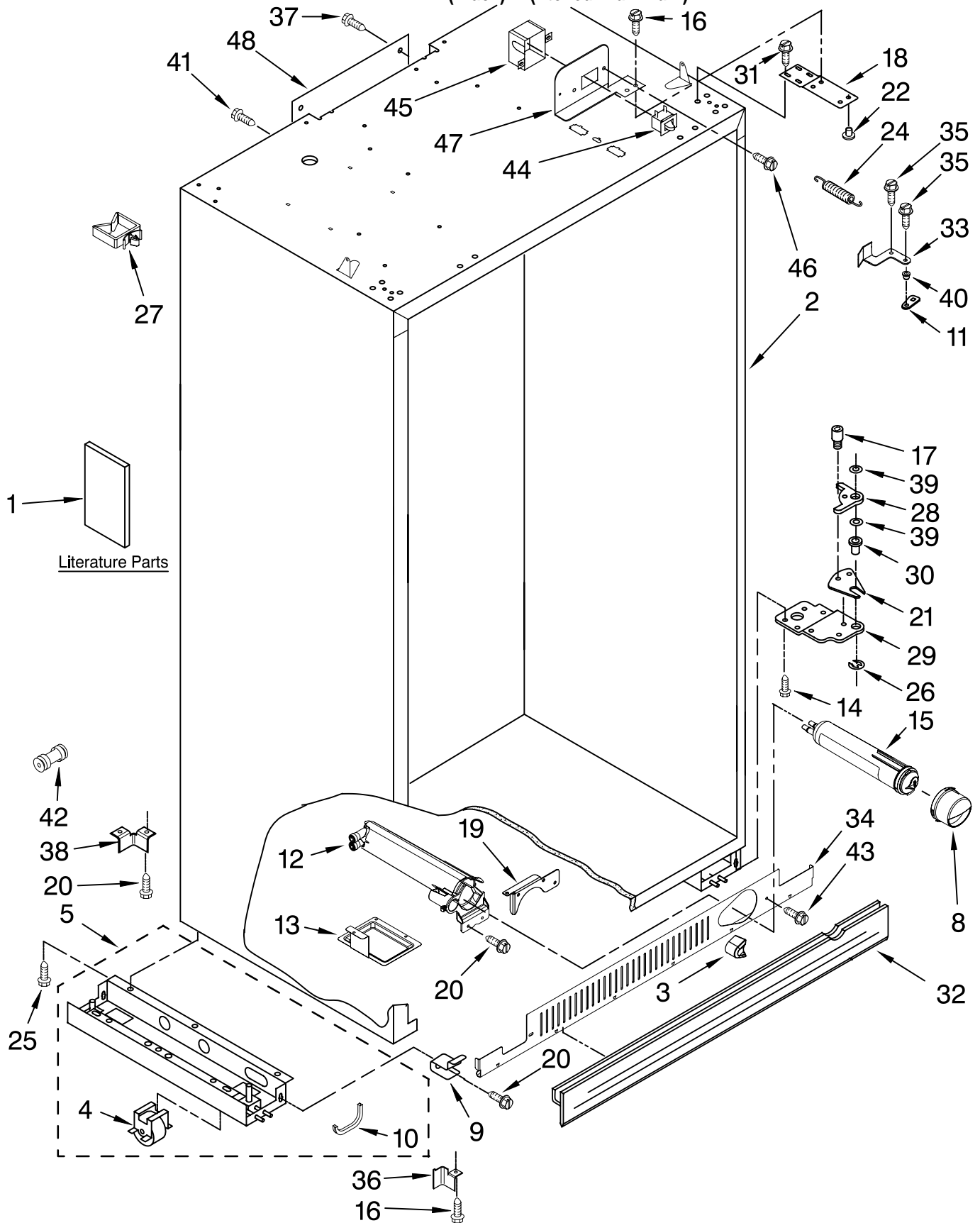


(Black) (Etched Aluminum)



FOR ORDERING INFORMATION REFER TO PARTS PRICE LIST

CABINET PARTS

For Models: KSSO48QTB03, KSSO48QTX03
(Black) (Etched Aluminum)

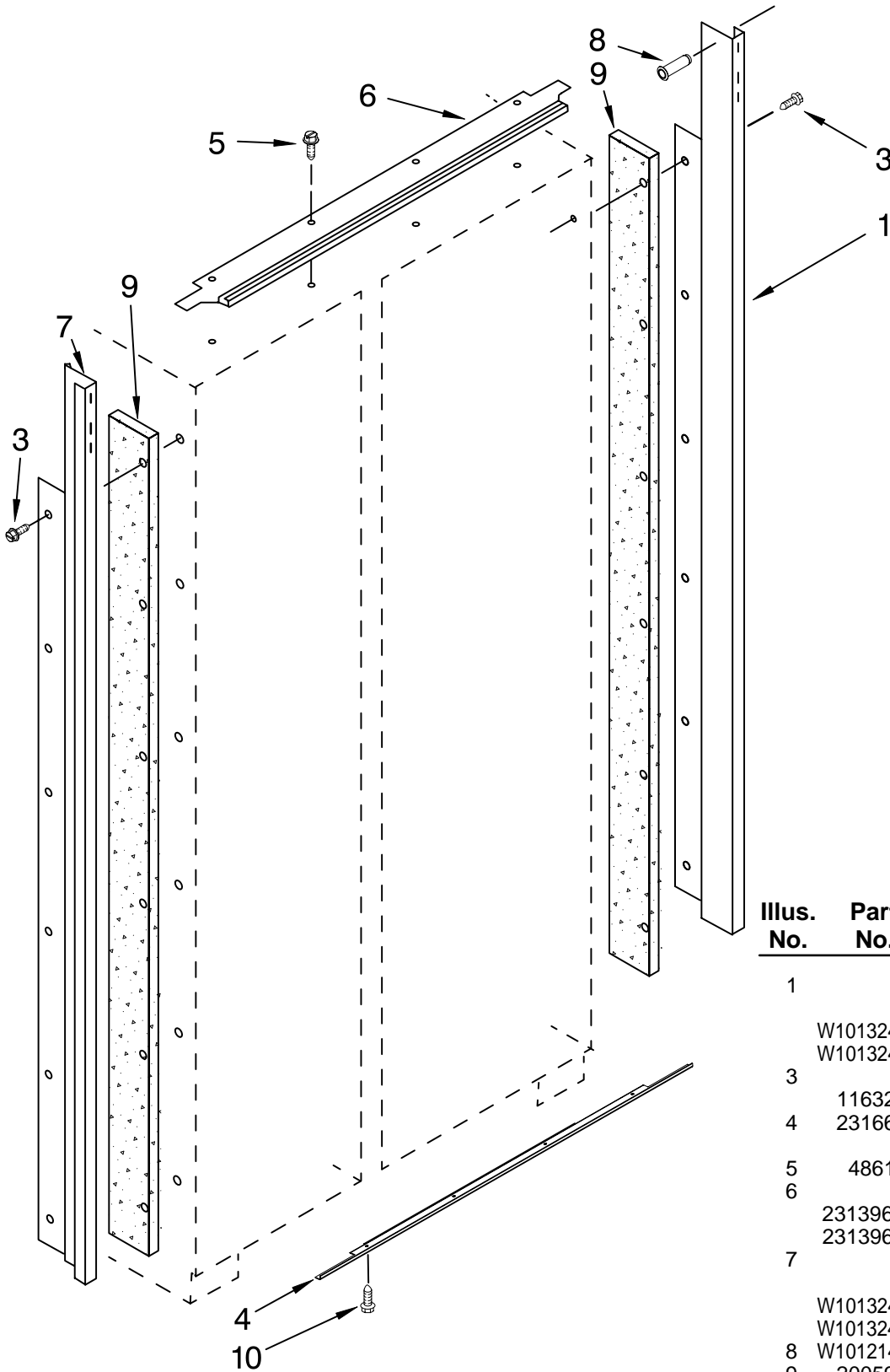
Illus. No.	Part No.	DESCRIPTION	Illus. No.	Part No.	DESCRIPTION	Illus. No.	Part No.	DESCRIPTION
1		Literature Parts	14	3400525	Screw	33		Extension Arm,
	W10161714	Use & Care Guide	15	4396841	Filter, Water			Door Closer
	W10205635	Energy Guide	16	489399	Screw	2267192B		Right, Black
	W10159832	Service & Wiring Sheet	17	3400230	Screw, Door Stop	2267192		Right, Chrome
	2306424	Icemaker and Ingredient Care Center Service Sheet	18		Hinge (Top)	2267193B		Left, Black
	2318069	Main Control Service Sheet		2252292B	RC, Black	2267193		Left, Chrome
	2316565	Installation Instructions		2252292	RC, Chrome	34		Grille Bottom, Front
	W10200928	Instr Sheet, Front Water Connect		2252291B	FC, Black		2325186B	Black
2		Cabinet (Not A Serviceable Part)	19	2318190	Bracket, Mtg (Water Filter)	35	2005921	Screw
3	2260503B	Button, Filter	20	489464	Screw	36		Bracket, Support Base (Front)
4	W10138054	Roller, Front & Rear (4)	21	2004994	Lock, Adjustable Bushing		2006616	Left
5		Support, Leveler Assembly	22	2300082	Bushing	37	1157158	Screw
	W10163493	Refrigerator Side	24	2221242	Spring, Door Closure	38	2006617	Bracket, Support Base (Rear) (2)
	W10163491	Freezer Side	25	486194	Screw	39	2006346	Washer
8		Cap, Water Filter	26	2005008	Retaining Ring, Adjustable Bushing	40	2266880	Bushing, Extension Arm
	2260518B	Black	27	W10129069	Wire Clip (5)	41	1163283	Screw
9	2307640	Mounting Stud, Grille	28	2006342	Gap, Cover Assembly (Bottom)	42		Connector, Water Tube
10	2307584	Grommet, Crossover Tube	29		Hinge (Bottom)		2209709	5/16-1/4"
11	2005783	Cam, Door Closer		2309472	Freezer Side		2300868	1/4"
12	W10121140	Housing, Water Filter		2309471	Refrigerator Side	43	8281163	Screw
13	2318189	Tray, Drip Filter	30	2302876	Bushing, Adjustable	44		Switch, Rocker Arm
			31	8533913	Screw 1/4-20 x 5/8		1118894	Refrigerator Door Side
			32		Skirt-Grille, Bottom		1115373	Freezer Door Side
				2209026B	Black	45	2215938	Cover, Switch (2)
						46	487415	Screw (2)
						47		Bracket, Switch
							2221097	Right
							2221096	Left
						48	2215612	Cover, Rear

FOR ORDERING INFORMATION REFER TO PARTS PRICE LIST

CABINET TRIM PARTS

For Models: KSSO48QTB03, KSSO48QTX03

(Black) (Etched Aluminum)



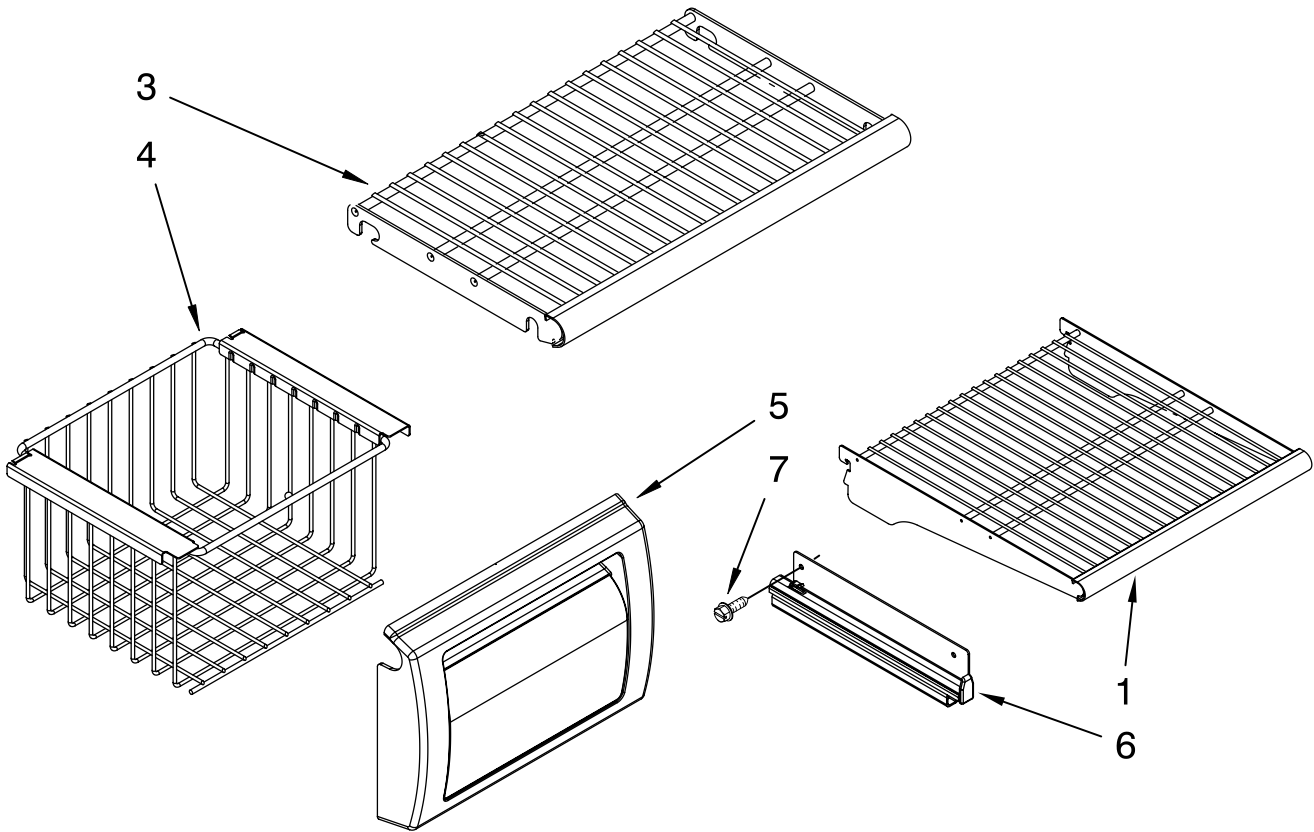
Illus. No.	Part No.	DESCRIPTION
1		Cabinet, Trim (Right Side)
	W10132410	Black
	W10132411	Stainless Steel
3		Screw
	1163283	Stainless Steel
4	2316688	Cabinet, Trim (Bottom)
5	486194	Screw
6		Cabinet, Trim Top
	2313962B	Black
	2313962S	Stainless Steel
7		Cabinet Trim (Left Side)
	W10132415	Black
	W10132416	Stainless Steel
8	W10121451	Nutsert (4)
9	2005925	Seal-Trim, Side
10	489464	Screw

FOR ORDERING INFORMATION REFER TO PARTS PRICE LIST

FREEZER SHELF PARTS

For Models: KSSO48QTB03, KSSO48QTX03

(Black) (Etched Aluminum)



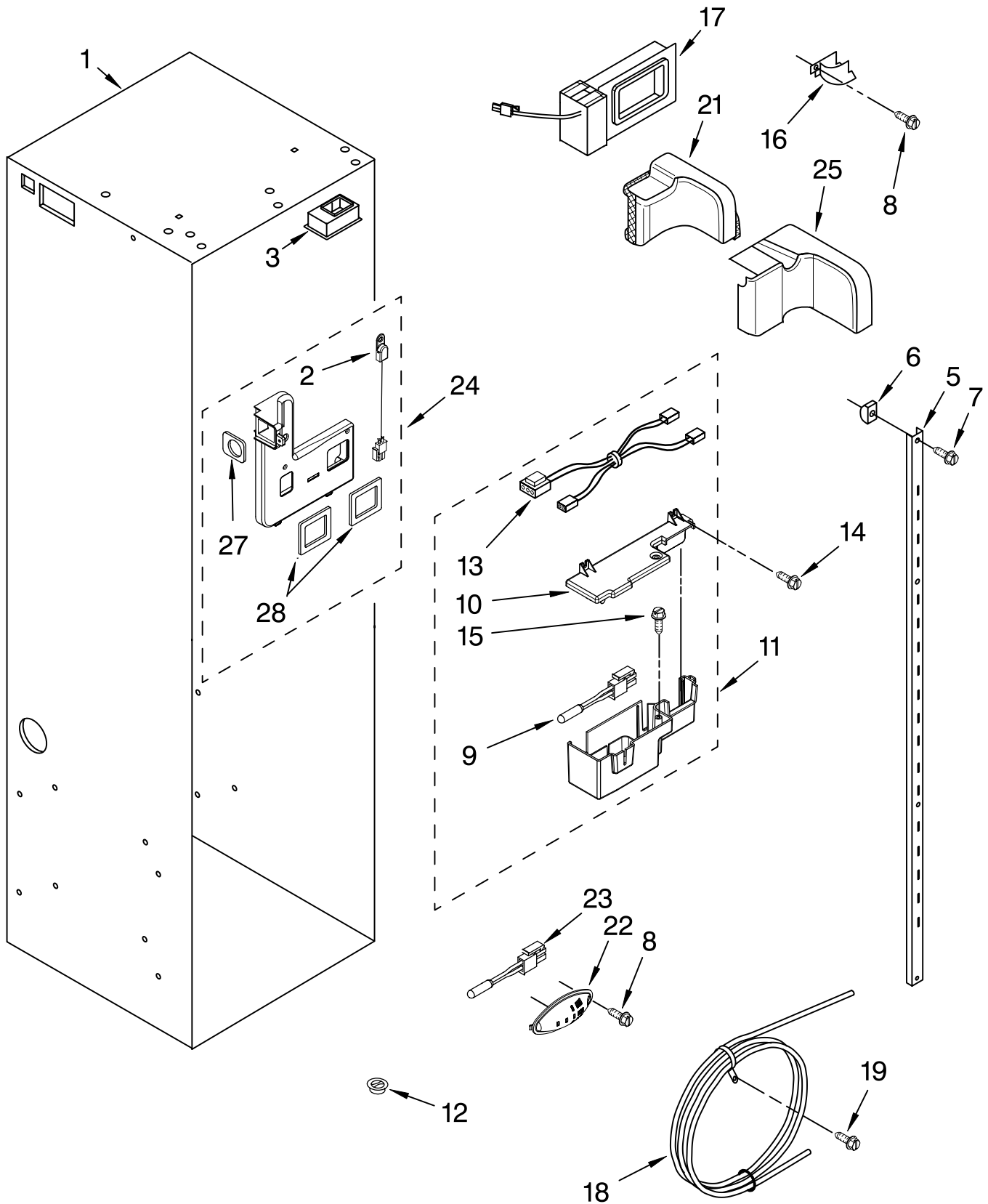
Illus. No.	Part No.	DESCRIPTION
1	2302869	Wire, Shelf (4)
3	2302884	Shelf, Fixed (2)
4	2259083	Basket
5	2256271	Front, Basket
6	2259317	Slide, Basket
	2259318	Right Side
	2259318	Left Side
7	8533928	Screw

FOR ORDERING INFORMATION REFER TO PARTS PRICE LIST

REFRIGERATOR LINER PARTS

For Models: KSS048QTB03, KSS048QTX03

(Black) (Etched Aluminum)



FOR ORDERING INFORMATION REFER TO PARTS PRICE LIST

REFRIGERATOR LINER PARTS

For Models: KSSO48QTB03, KSSO48QTX03

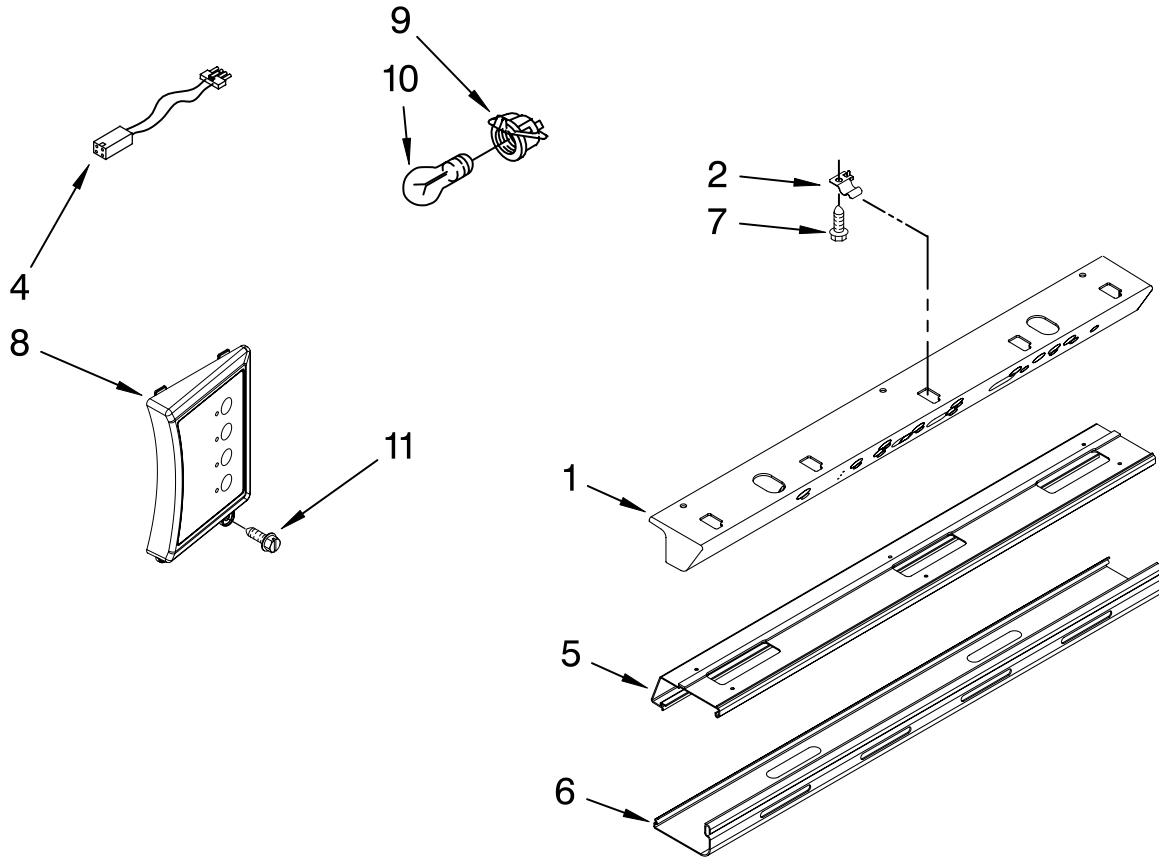
(Black) (Etched Aluminum)

Illus. No.	Part No.	DESCRIPTION
1		Liner (Not A Serviceable Part)
2	2306010	Thermistor
3	2208970	Air Duct
5	2259077	Ladder, Shelf (2)
6	520965	Screw Support, Ladder (8)
7	2006475	Screw
8	487539	Screw
9	2302937	Thermistor
10	2302986	Lid, Meat Pan Baffle
11	W10169528	Baffle Control Assembly
12	2171846	Release Valve
13	2310205	Jumper, Air Baffle
14	488357	Screw
15	486194	Screw
16	2003577	Guard, Air Return
17	2221296	Air Baffle Assembly
18	2327509	Reservoir
19	488280	Screw
21	2309222	Diffuser Assembly
22	2317105	Cover, Thermistor
23	2188820	Thermistor
24	2302992	Spacer, Air-Baffle
25	2309087	Cover, Diffuser
27	2259412	Seal, Air Duct (Round Hole)
28	2259398	Seal, Air Duct (Square Hole)

FOR ORDERING INFORMATION REFER TO PARTS PRICE LIST

CONTROL PANEL PARTS

For Models: KSSO48QTB03, KSSO48QTX03
(Black) (Etched Aluminum)

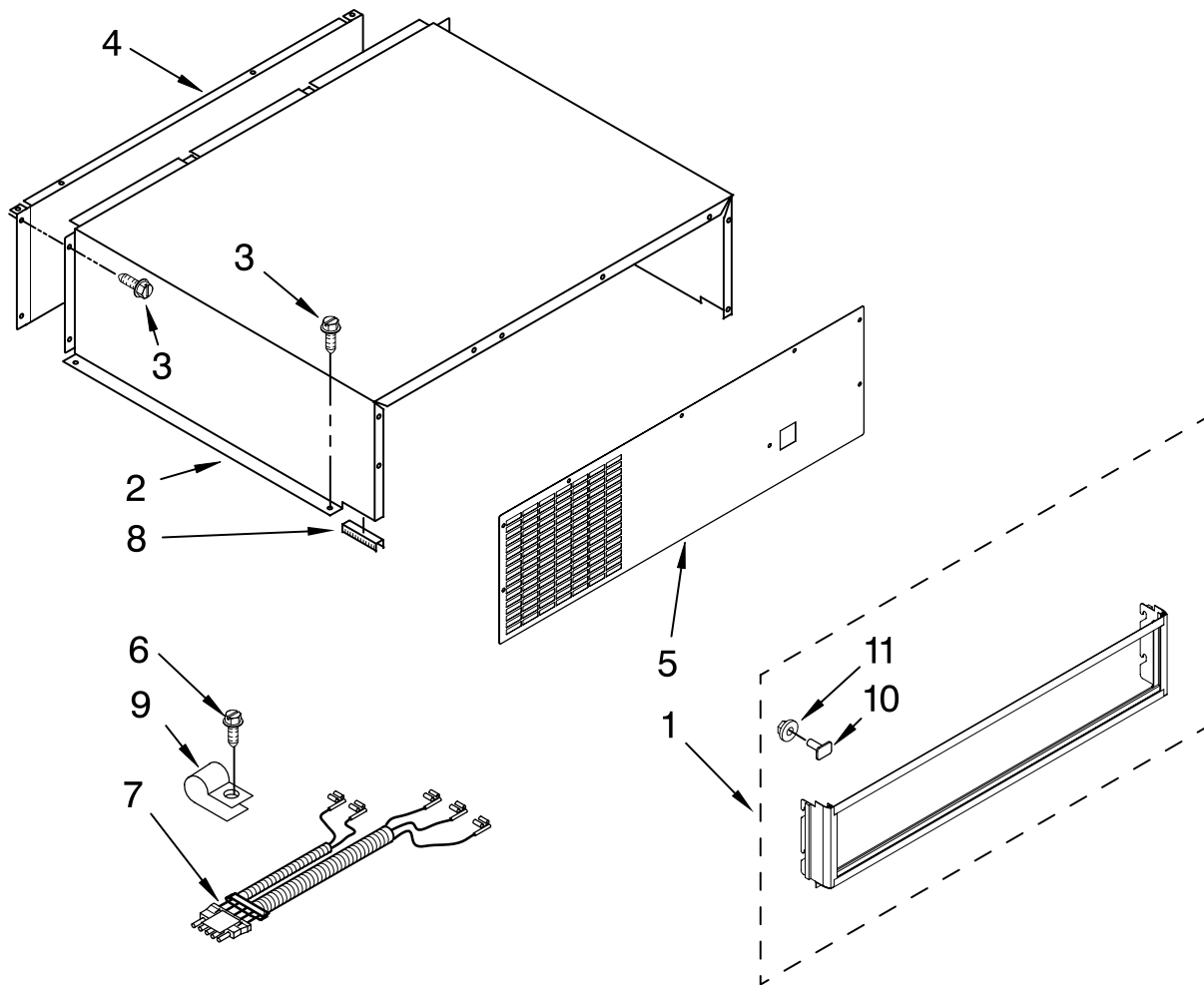


Illus. No.	Part No.	DESCRIPTION
1	2316546	Control Box Assy
2	2317000	Clip, Box
4	2310390	Wire, Jumper
5	2324973	Bracket, Control Box
6	2307596	Shield, Control Box
7	487539	Screw (2)
8	2306086	Display, Ingredient Care Center
9	2223857	Socket, Light
10	2326255	Light Bulb (2)
11	8281185	Screw

FOR ORDERING INFORMATION REFER TO PARTS PRICE LIST

TOP GRILLE AND UNIT COVER PARTS

For Models: KSS048QTB03, KSS048QTX03
(Black) (Etched Aluminum)



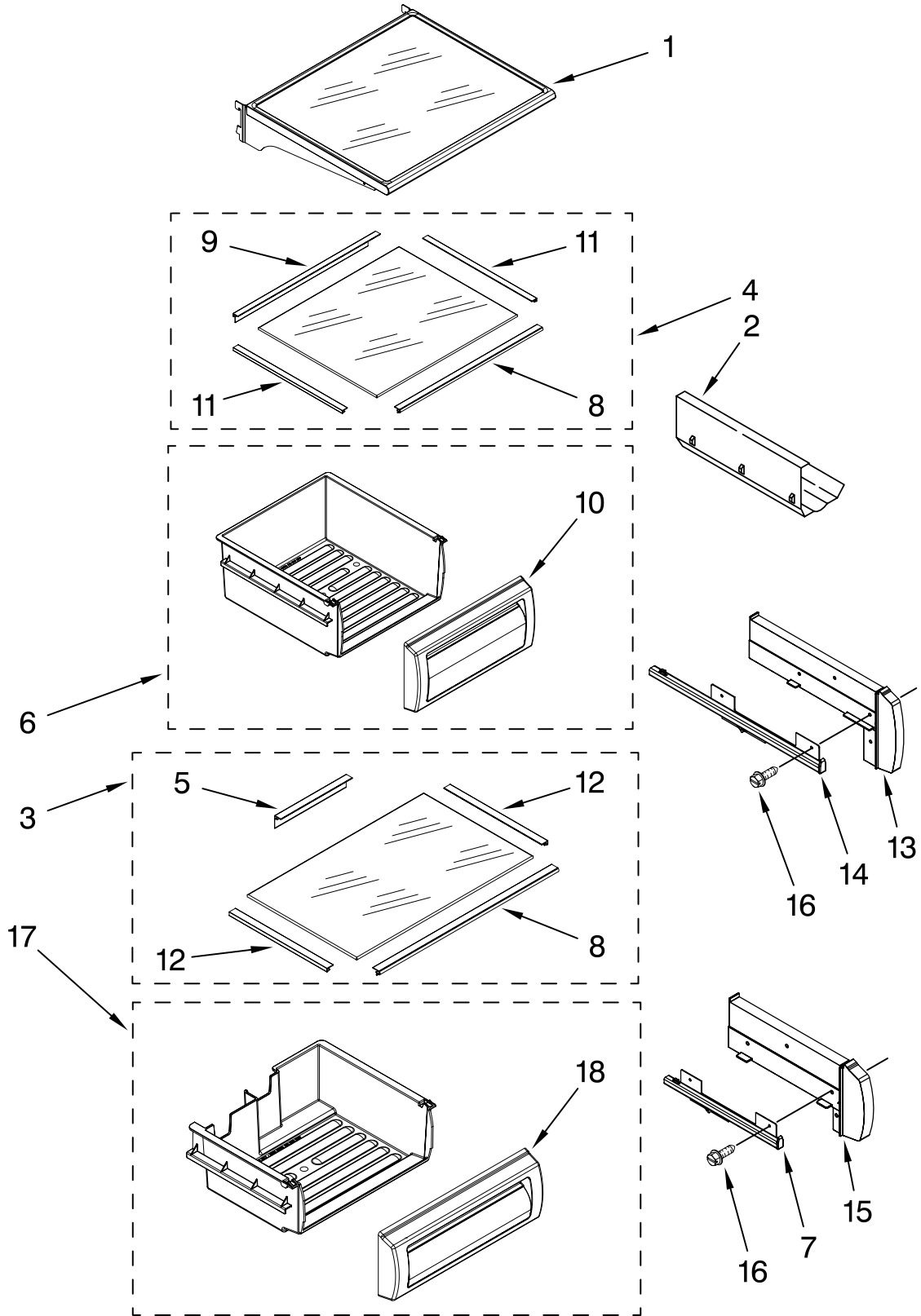
Illus. No.	Part No.	DESCRIPTION
1		Panel, Decorative Assembly
	2313979B	Black
	2313979S	Stainless Steel
2	W10161693	Cover, Unit
3	486194	Screw
4	2256466	Back Panel
5	W10185625	Cover, Unit Front
6	487415	Screw
7	W10167456	Wire Assembly
		RC/FC Light Switch
8	2215910	Grommet, Flex
9	489348	Clamp
10	1161548	Nut
11	2003347	Tee Bolt

FOR ORDERING INFORMATION REFER TO PARTS PRICE LIST

REFRIGERATOR SHELF PARTS

For Models: KSS048QTB03, KSS048QTX03

(Black) (Etched Aluminum)



FOR ORDERING INFORMATION REFER TO PARTS PRICE LIST

REFRIGERATOR SHELF PARTS

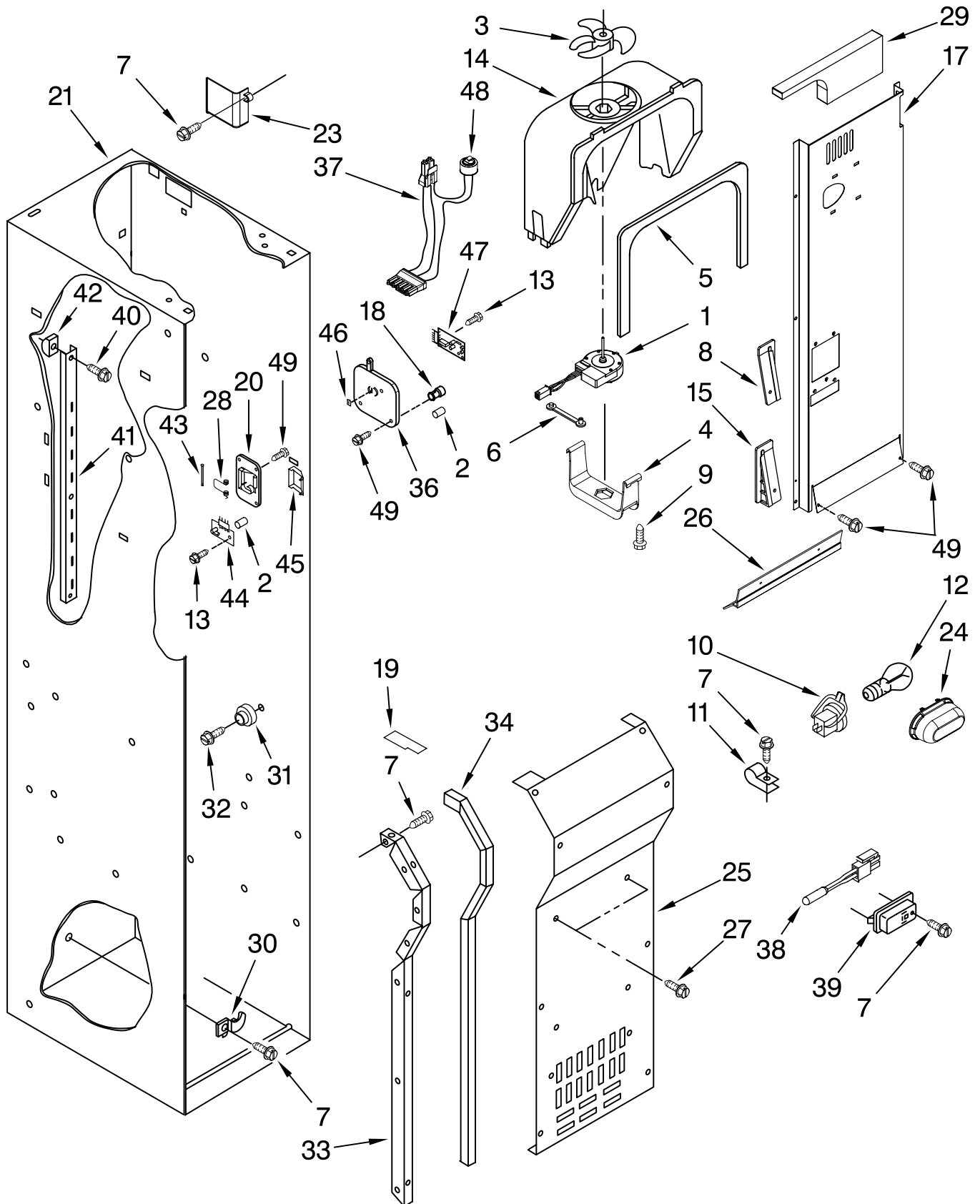
For Models: KSS048QT03, KSS048QT03
(Black) (Etched Aluminum)

Illus. No.	Part No.	DESCRIPTION
1	2222593	Shelf Assembly (4)
2	2179404	Rack, Wine
3	2302843	Assembly, Meat Pan Cover
4	2302836	Assembly, Crisper Cover
5	2257583	Trim, Glass Rear
6	2252413	Crisper Pan (2)
7		Slide, Meat Pan
	2302954	Left Side
	2302955	Right Side
8		Trim, Glass Front (Not Serviceable)
9	2256255	Trim, Glass Rear
10	2256249	Front, Crisper Pan
11	2252255	Trim, Glass Side Crisper Pan
12	2256250	Trim, Glass Side Meat Pan
13		Spacer, Crisper
	2256222	Right Side (2)
	2256223	Left Side (2)
14		Slide, Crisper
	2302956	Right Side
	2302957	Left Side
15		Spacer, Meat Pan
	2256243	Left Side
	2256244	Right Side
16		Screw
	8533929	Right Side-- (8-18 x 1.375)
	8533928	Left Side-- (8-18 x .750)
17	2256370	Pan Assembly Meat
18	2256367	Front, Meat Pan

FREEZER LINER AND AIR FLOW PARTS

For Models: KSS048QTB03, KSS048QTX03

(Black) (Etched Aluminum)



FOR ORDERING INFORMATION REFER TO PARTS PRICE LIST

FREEZER LINER AND AIR FLOW PARTS

For Models: KSSO48QTB03, KSSO48QTX03

(Black) (Etched Aluminum)

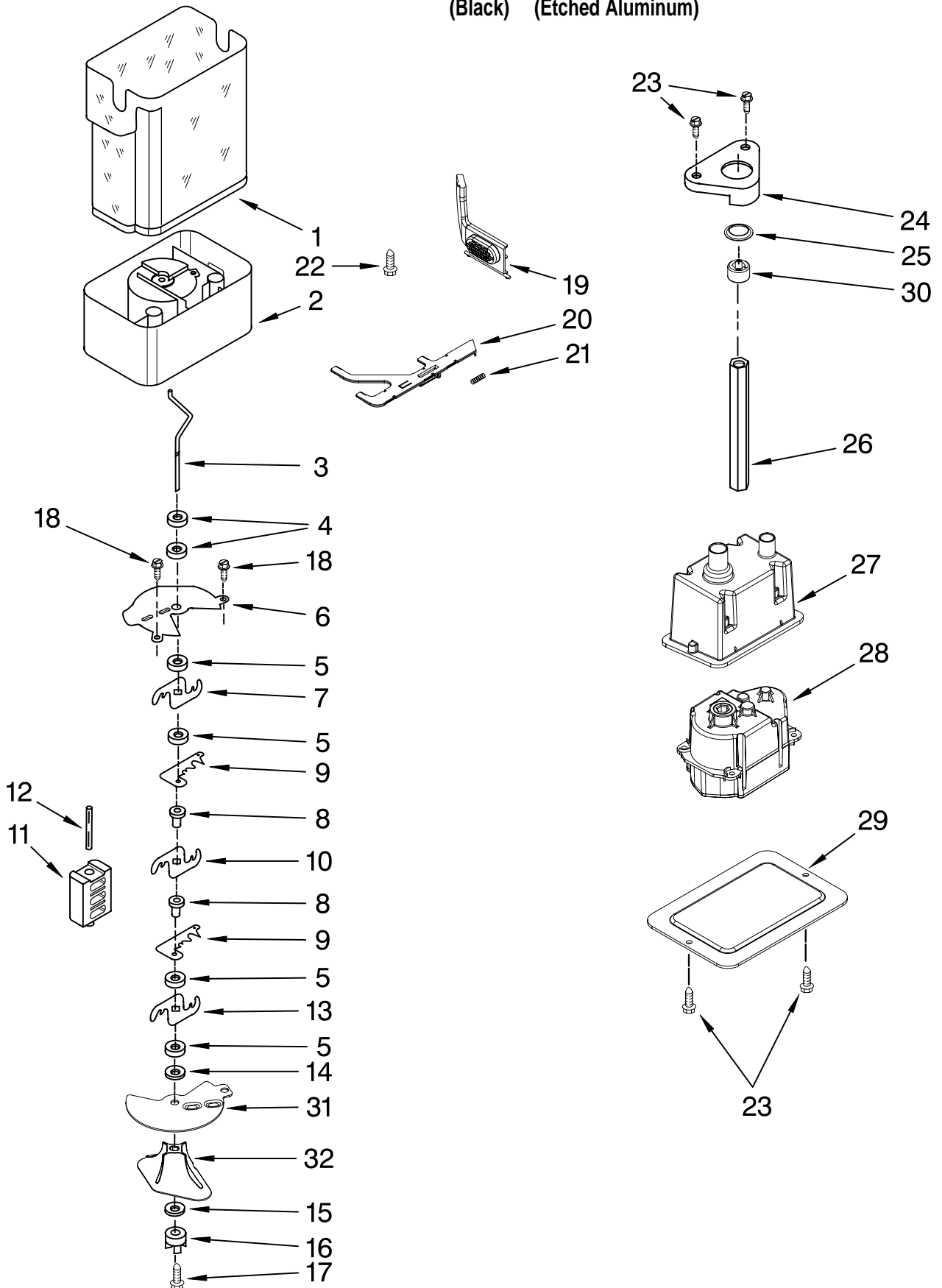
Illus. No.	Part No.	DESCRIPTION	Illus. No.	Part No.	DESCRIPTION	Illus. No.	Part No.	DESCRIPTION
1	2259385	Fan Motor	20	2215650	Cover, Emitter	34	2220904	Gasket (2)
2	2198665	Tube, P.C. Board	21		Liner (Not A			Evaporator Cover
3	2169142	Fan Blade			Serviceable Part)	36	2259493	Cover, Receiver
4	2223733	Retainer, Fan Motor	23	2259025	Cover, Air Outlet	37	W10139189	Harness, Evap Fan (Includes #48)
5	2302817	Gasket, Cover	24	2307751	Light Shield	38	2306010	Thermistor
6	2223986	Grommet	25	W10158005	Cover, Evaporator	39	2317105	Cover, Thermistor
7	486194	Screw	26	2302851	Support, Air Duct	40	2006475	Screw
8	2259464	Wedge, Air Duct	27	487539	Screw	41	2259032	Ladder, Shelf
9	488500	Screw, Ground	28	2198635	Spring	42	2259445	Support, Screw
10	2223857	Socket, Light (2)	29	2309284	Deflector, Air Duct	43	2198634	Pin
11	488937	Clamp, Nylon	30	1112260	Support, Evaporator	44	W10193840	P.C. Board Emitter
12	2326255	Light Bulb	31	2196483	Shelf, Stud (20)	45	2198633	Flipper
13	489214	Screw	32	W10191952	Screw	46	2255563	Slide, Icemaker Shut Off
14	2182120	Scroll, Fan	33		Evaporator, Cover Rail	47	W10193666	P.C. Board, Receiver
15	2259465	Wedge, Air Duct		2221107	Left Side	48	W10160570	Defrost, Bi-Metal
17	2307775	Air Duct		2259355	Right Side	49	8281185	Screw
18	2198643	Lens						
19		Block, Fan Scroll						
	2209482	Right						
	2209066	Left						

FOR ORDERING INFORMATION REFER TO PARTS PRICE LIST

MOTOR AND ICE CONTAINER PARTS

For Models: KSSO48QTB03, KSSO48QTX03

(Black) (Etched Aluminum)



FOR ORDERING INFORMATION REFER TO PARTS PRICE LIST

MOTOR AND ICE CONTAINER PARTS

For Models: KSSO48QTB03, KSSO48QTX03

(Black) (Etched Aluminum)

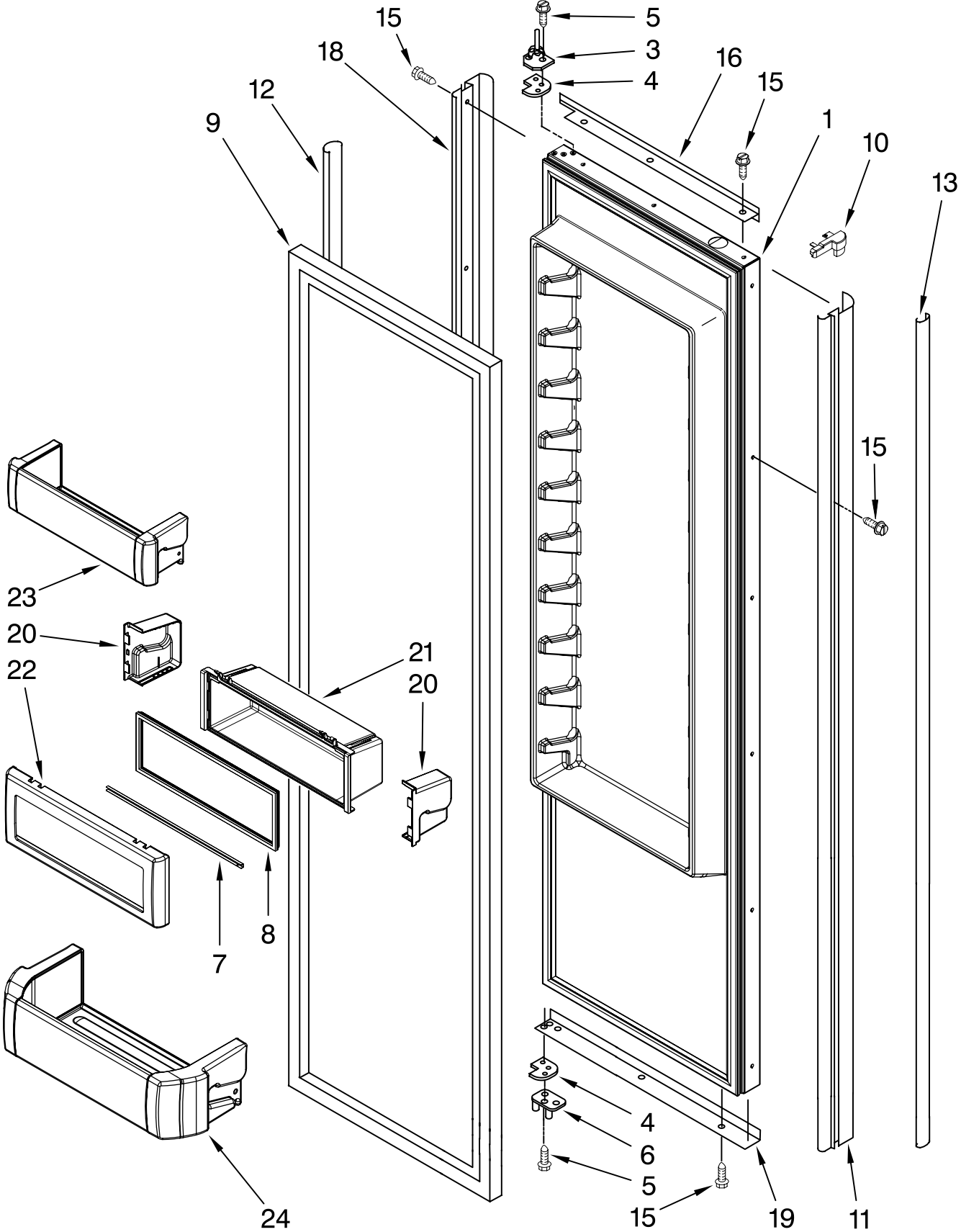
Illus.	Part	
No.	No.	DESCRIPTION
1	2222970	Ice Bin
2	W10134777	Crusher Bin
3	W10140642	Auger
4	2258220	Washer, Auger
5	1119007	Spacer, Flat (6)
6	2317248	Cover, Crusher
7	2257024	Blade, Rotary
8	1119005	Spacer, Step (2)
9	2257020	Blade, Fixed
10	2257023	Blade, Rotary
11	2317239	Block, Blade
12	489229	Roll Pin
13	2257022	Blade, Rotary
14	489235	Washer, Plain
15	2198661	Washer, Coupling
16	2188918	Coupling, Top
17	8281164	Screw
18	3400065	Screw
19	2252265	Button, Bin
20	W10134785	Latch, Bin
21	2198608	Spring, Latch
22	2198671	Screw (2)
23	8281163	Screw
24	2188919	Holder
25	2198628	Seal
26	2318030	Drive Shaft
27	2318011	Enclosure, Motor
28	2315546	Dispenser, Motor
29	2318028	Cover
30	2315559	Sleeve, Coupling
31	2317250	Divider, Chamber
32	2317243	Wiper

FOR ORDERING INFORMATION REFER TO PARTS PRICE LIST

REFRIGERATOR DOOR PARTS

For Models: KSS048QTB03, KSS048QTX03

(Black) (Etched Aluminum)



FOR ORDERING INFORMATION REFER TO PARTS PRICE LIST

REFRIGERATOR DOOR PARTS

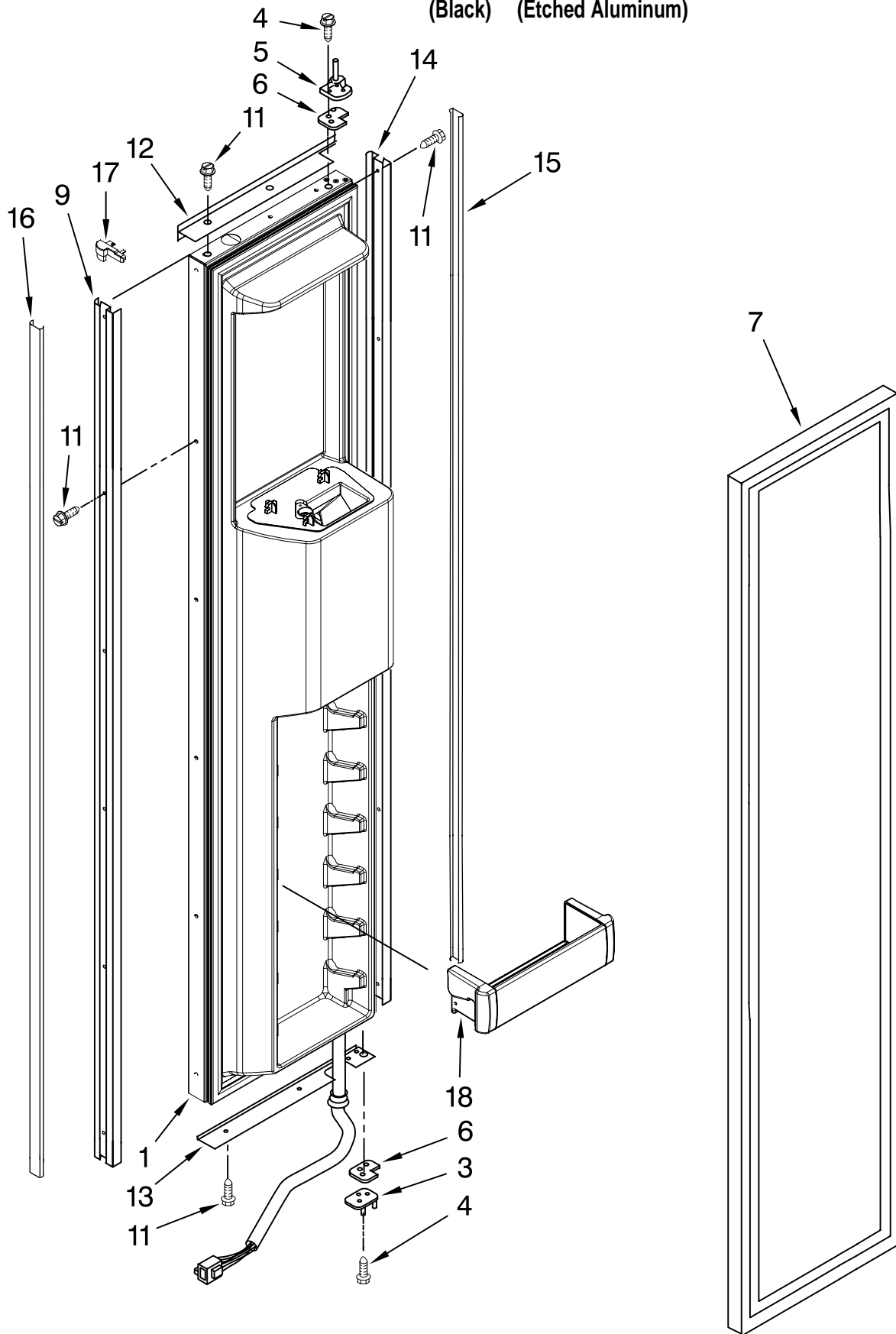
For Models: KSS048QTB03, KSS048QTX03
(Black) (Etched Aluminum)

Illus. No.	Part No.	DESCRIPTION
1	W10193491	Refrigerator Door Panel (Includes Item #9)
3		Hinge Assy, Top
	2252295B	Black
	2252295	Chrome
4	2316804	Spacer-Door, Top & Bottom
5	489282	Screw
6		Hinge Assy, Btm
	2252293B	Black
	2252293	Chrome
7	2222797	Rail, Lid
8	2222983	Gasket, Utility Bin
9	2222812	Door Gasket, Magnetic
10		Trim, Corner
	2006273	Black
	2207457	Chrome
11		Handle, Door
	2309497B	Black
	2309497S	Stainless Steel
12		Cover, Trim (Hinge Side)
	2259448B	Black
	2259448S	Stainless Steel
13		Cover, Trim (Handle Side)
	2314003B	Black
	2314003S	Stainless Steel
15		Screw, 8-15 x .500
	8281252	Black
	8281250	Stainless Steel
16		Trim-Door, Top
	2309487B	Black
	2309487S	Stainless Steel
18		Trim-Door, (Hinge Side)
	2309498B	Black
	2309498S	Stainless Steel
19		Trim-Door, Btm
	2309493B	Black
	2309493S	Stainless Steel
20		End Cap
	2222919	Right Side
	2222920	Left Side
21	2222923	Bin, Utility Center
22	2257617	Door, Utility Bin
23	2222774	Bin, Door (3)
24	2222771	Bin, Door

FOR ORDERING INFORMATION REFER TO PARTS PRICE LIST

FREEZER DOOR PARTS

For Models: KSS048QTB03, KSS048QTX03
(Black) (Etched Aluminum)



FOR ORDERING INFORMATION REFER TO PARTS PRICE LIST

FREEZER DOOR PARTS

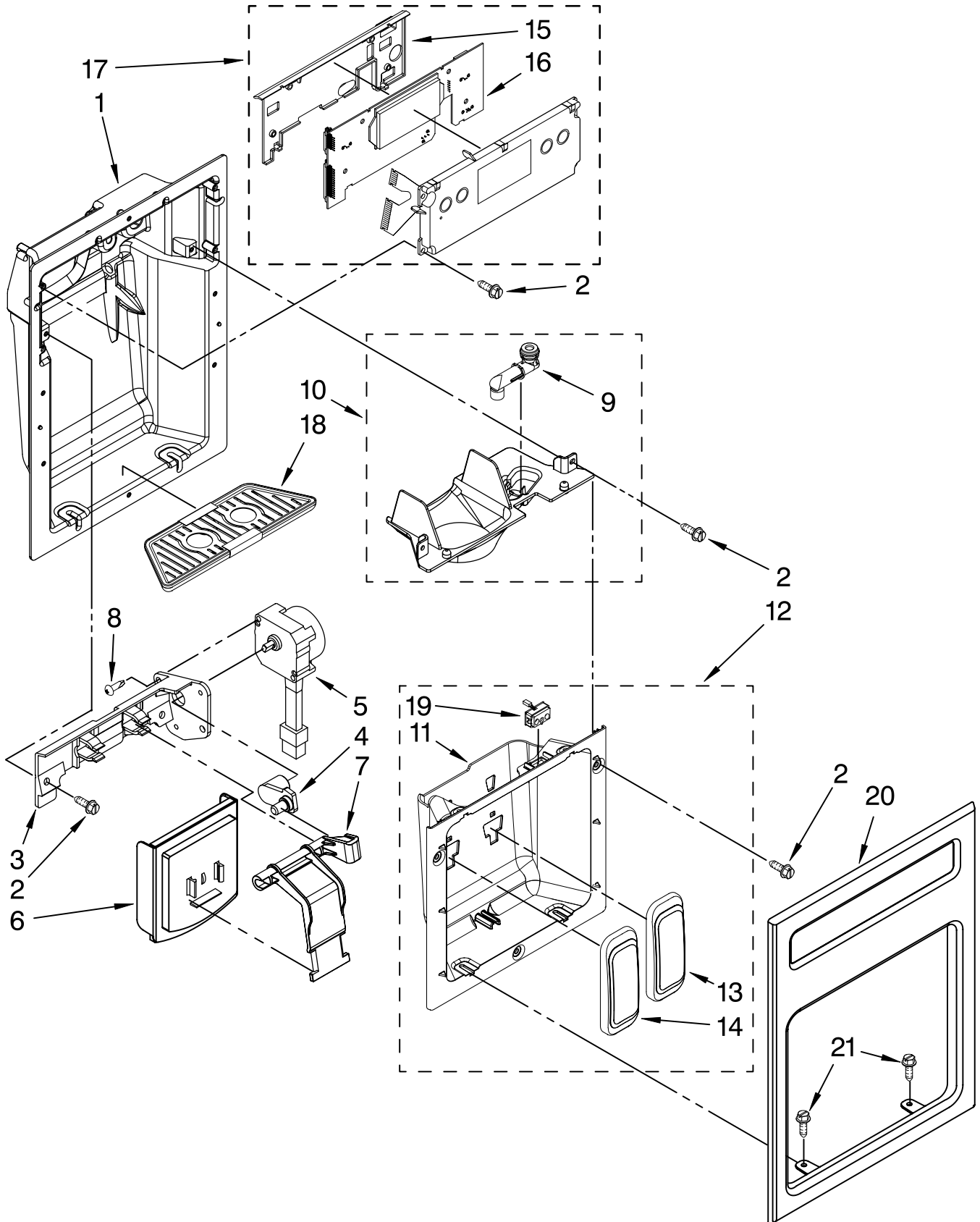
For Models: KSS048QTB03, KSS048QTX03
(Black) (Etched Aluminum)

Illus. No.	Part No.	DESCRIPTION
1		Freezer Door (Includes #7)
	W10193552	Black
	W10193553	Universal Silver
3		Hinge, Bottom
	2252294B	Black
	2252294	Chrome
4	489282	Screw
5		Hinge, Top
	2252295B	Black
	2252295	Chrome
6	2316804	Spacer-Door, Top & Bottom
7	2222810	Door Gasket, Magnetic
9		Trim-Door, Handle Side
	2309497B	Black
	2309497S	Stainless Steel
11		Screw
	8281252	Black
	8281250	Stainless Steel
12		Trim-Door, Top
	2309490B	Black
	2309490S	Stainless Steel
13		Trim-Door, Btm
	2309496B	Black
	2309496S	Stainless Steel
14		Trim-Door, Hinge Side
	2309498B	Black
	2309498S	Stainless Steel
15		Cover, Trim Hinge Side
	2259448B	Black
	2259448S	Stainless Steel
16		Cover, Trim Handle Side
	2314003B	Black
	2314003S	Stainless Steel
17		Trim, Corner
	2006273	Black
	2207457	Chrome
18	2222777	Bin, Door (3)

DISPENSER FRONT PARTS

For Models: KSS048QTB03, KSS048QTX03

(Black) (Etched Aluminum)



FOR ORDERING INFORMATION REFER TO PARTS PRICE LIST

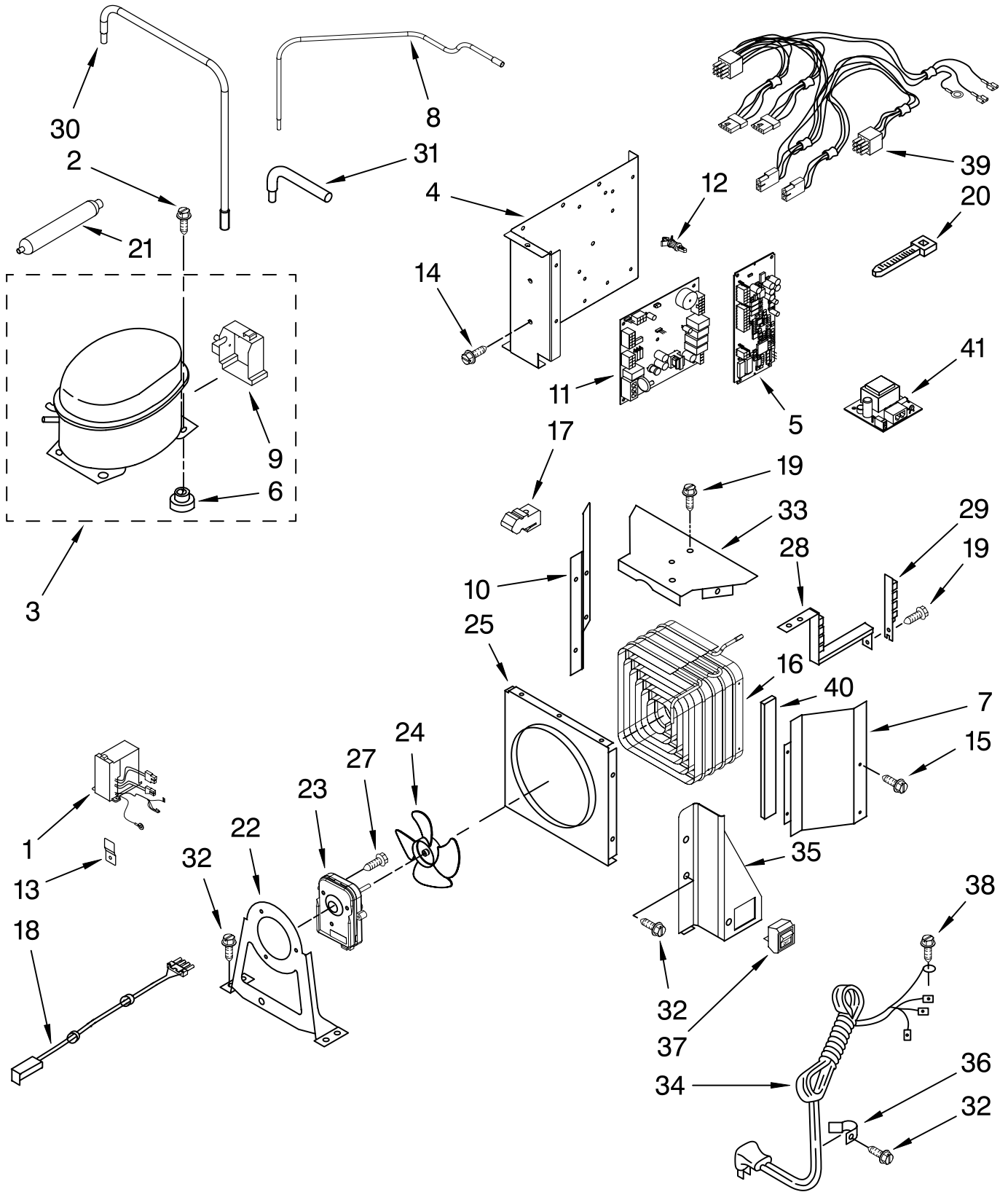
DISPENSER FRONT PARTS

For Models: KSSO48QTB03, KSSO48QTX03
(Black) (Etched Aluminum)

Illus. No.	Part No.	DESCRIPTION
1		Housing, Dispenser (Not Serviced)
2	486194	Screw (3)
3	W10132946	Bracket, Motor
4	2305242	Connector, Door Bracket
5	2318021	Motor, Ice Door
6	2180353	Door, Ice
7	2318020	Support, Ice Door
8	4449745	Screw (2)
9	2305235	Spigot
10	2318017	Separator Assembly
11		Housing, Middle (Not Available Order Item 12)
12		Housing Assembly
	2307675B	Black
	2307675US	Universal Silver
13		Water, Paddle Asy
	2305307GE	For Black Model
	2305307GN	For Aluminum Model
14		Ice, Paddle Asy
	2305306GE	For Black Model
	2305306GN	FOr Aluminum Model
15	2305219	Cover, Control
16	2321746	Electronic Control (Includes #15)
17	W10151237	User Interface, Complete
18		Tray, Housing
	2318085B	Black
	2318085US	Universal Silver
19	2305342	LED Assembly
20		Front Cover
	2307321B	Black
	2307321US	Universal Silver
21	488568	Screw

UPPER UNIT PARTS

For Models: KSSO48QTB03, KSSO48QTX03
(Black) (Etched Aluminum)



FOR ORDERING INFORMATION REFER TO PARTS PRICE LIST

UPPER UNIT PARTS

For Models: KSSO48QTB03, KSSO48QTX03
(Black) (Etched Aluminum)

Illus. No.	Part No.	DESCRIPTION
1	W10133449	Inverter Box
2	489373	Screw, Compressor Mounting (4)
3	W10173296	Compressor (Includes Items 6 & 9)(Also Order 876765 Tube Kit)
4	2318087	Housing, Control Board
5	2318054	Control Board
6	1100826	Grommet, Mounting
7	2309002	Support, Conenser
8	2307694	Tube, Transiton (Cond/Ht Loop) (Right)
9	2215676	Terminal Cover
10	2309001	Support, Condenser (Left)
11	W10121049	Control Board
12	2203075	Spacer (5)
13	2256328	Bracket, Inverter Box
14	486194	Screw
15	1157158	Screw
16	2307998	Condenser
17	2309431	Grommet (2)
18	2310207	Wire, Jumper
19	489399	Screw
20	2155774	Wire Tie

Illus. No.	Part No.	DESCRIPTION
21	W10175593	Drier
22	W10136614	Bracket, Fan Motor (Condenser Fan)
23	2188875	Motor, Fan
24	W10139483	Blade, Fan
25	2003169	Orifice, Fan
27	8533993	Screw
28	2317031	Bracket, Vibration (Condenser)
29	2317030	Arm, Vibration (Condenser)
30	2307566	Tube, Transition (Condenser/Drier)
31	2194319	Tube, Process
32	486194	Screw
33	2309000	Cover, Condenser
34	2310251	Service Cord
35	W10185556	Bracket, Mounting (Power Switch)
36	549193	Clamp, Cord
37	2266802	Switch, Power Disconnect
38	487294	Screw, Ground

Illus. No.	Part No.	DESCRIPTION
39	W10178860	Wiring Harness, Unit Compartment
40	2309432	Gasket, Condenser
41	2259350	Power Supply, Ingredient Care Center

Following Parts Not Illustrated and Optional Parts Not Included

978025	Valve, Access (1/4")
978026	Valve, Access (5/16")
978027	Valve, Access (3/8")
978028	Valve, Access (1/2")
978029	Valve, Access (5/8")
978030	Valve, Access (3/4")
876764	Valve, Access (3/16")

REFRIGERANT CHARGE

7.75 oz.
(R-134A)

LOWER UNIT AND TUBE PARTS

For Models: KSS048QTB03, KSS048QTX03

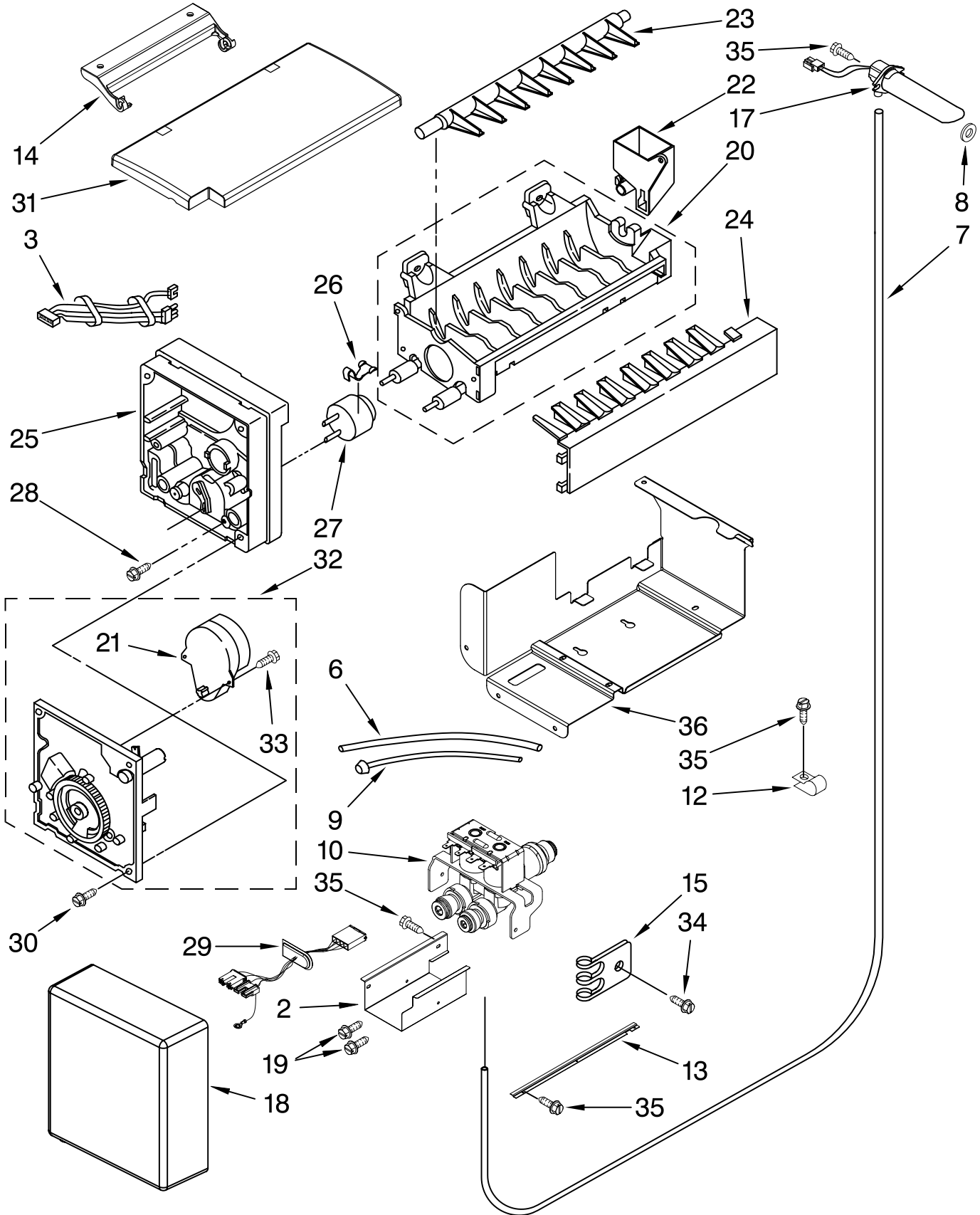
(Black) (Etched Aluminum)

Illus.	Part	
No.	No.	DESCRIPTION
1	W10160981	Bracket Assembly, Air Return
2	486194	Screw
3	W10157752	Bracket, Heater Mounting
4	2309076	Suction Tube
5	2309070	Tube, Connect (Drier/Restrictor)
6	2320615	Drain Pan Assy.
7	W10151288	Cover, Wiring
8	W10153595	Cover, Box
9	W10121374	Tube, Discharge
10	2188820	Thermistor
11	W10205102	Evaporator
12	W10140162	Heater, Defrost
13	1113048	Clamp, Heater (2)
14	W10139908	Cover Seal, Evaporator Tubes
15	2220832	Gasket, Evaporator
16	2155774	Wire Tie
17	W10169509	Clip, Heat Exchanger
18	2320554	Support, Drain Pan
19	9791833	Clip

FOR ORDERING INFORMATION REFER TO PARTS PRICE LIST

ICEMAKER PARTS

For Models: KSS048QT03, KSS048QT03
(Black) (Etched Aluminum)



FOR ORDERING INFORMATION REFER TO PARTS PRICE LIST

ICEMAKER PARTS

For Models: KSSO48QTB03, KSSO48QTX03
(Black) (Etched Aluminum)

Illus. No.	Part No.	DESCRIPTION	Illus. No.	Part No.	DESCRIPTION	Illus. No.	Part No.	DESCRIPTION
2	2320601	Shield, Valve	21		Motor, (Not Serviceable Order Item 32)	32	626680	Module Assembly (Includes Items 21 & 33)
3	2310191	Wire Assembly, Icemaker	22	628356	Cup-Water Fill	33	489136	Screw (2)
6	W10174395	Tube, Filter Inlet	23	627843	Ejector	34	489464	Screw
7	2320658	Water Tube	24	2198598	Ice Striper	35	486194	Screw
8	2302758	Seal Gasket	25	2194712	Support	36	2252228	Bracket, Icemaker Mounting
9	2317912	Tube, Filter Outlet	26	2315522	Retainer Thermostat (2)	100	W10190968	Complete Icemaker Assembly
10	W10159842	Valve, Solenoid	27	628397	Thermostat (Also Order 542639 Cement Alumilastic)	Following Parts Not Illustrated (Optional Parts Only)		
12	2221070	Clamp, Tube	28	8533917	Screw		8537055	Cleaner, Stainless Steel
13	2320559	Support, Valve	29	W10139199	Wire Assembly, Smart Valve		W10134770	Ice Container Assembly
14	2198641	Bracket, Icemaker Cover	30	489276	Screw		W10129081	Handle Kit for Previous Architect Series (Stainless)
15	2208136	Clamp, Nylon Valve	31	2317041	Cover, Icemaker			
17	2302756	Tube, Water Inlet						
18	2221232	Cover						
19	488500	Screw						
20	W10122527	Mold & Heater (Also Order 542638 Silicone Grease)						

FOR ORDERING INFORMATION REFER TO PARTS PRICE LIST