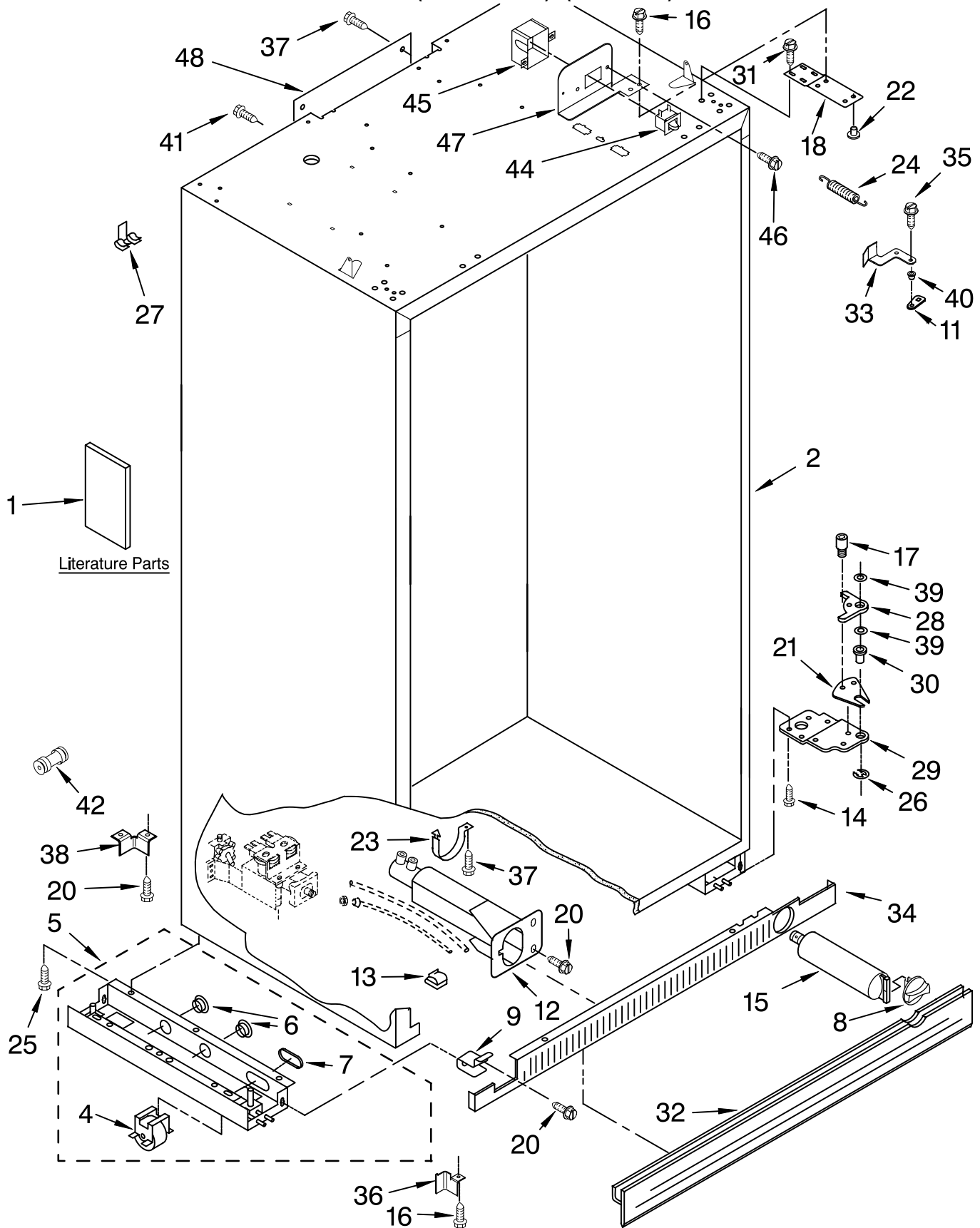


CABINET PARTS

For Models: KSSC42QMS00, KSSC42QMU00
(Stainless Steel) (Cobalt Blue)

42" BUILT IN
REFRIGERATOR



FOR ORDERING INFORMATION REFER TO PARTS PRICE LIST

CABINET PARTS

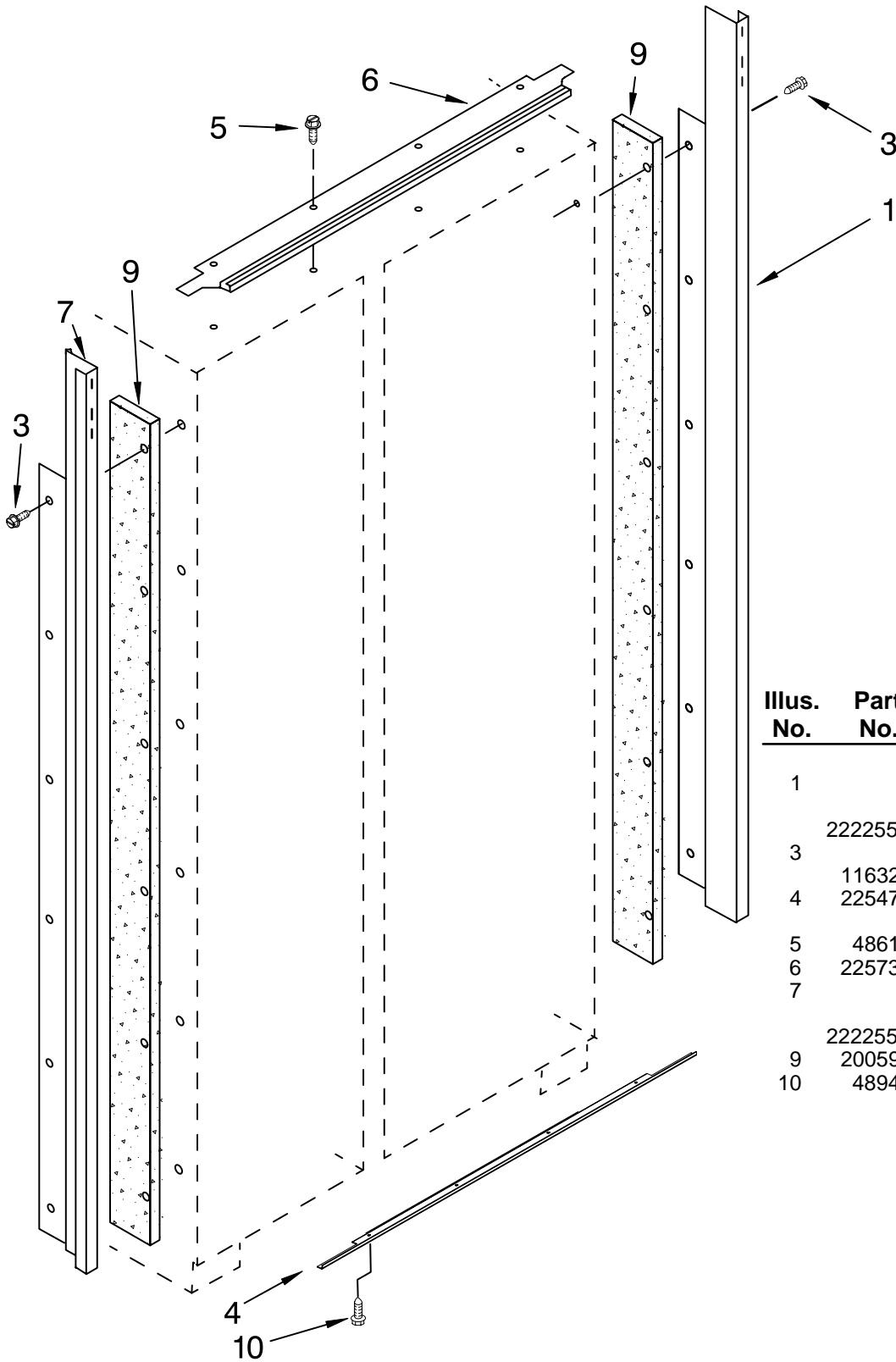
For Models: KSSC42QMS00, KSSC42QMU00
(Stainless Steel) (Cobalt Blue)

| Illus. No. | Part No. | DESCRIPTION | Illus. No. | Part No. | DESCRIPTION | Illus. No. | Part No. | DESCRIPTION |
|------------|------------|----------------------------------|------------|----------|------------------------------------|------------|----------|---|
| 1 | | Literature Parts | 13 | 934011 | Clip, Water Tube | 33 | | Extension Arm, Door Closer |
| | LIT2266808 | Use & Care Guide | 14 | 3400525 | Screw | | 2221095 | Right |
| | LIT2266814 | Energy Label | 15 | 2255709 | Filter, Water | | 2221094 | Left |
| | LIT2266827 | Service & Wiring Sheet | 16 | 489399 | Screw | 34 | | Grille Bottom, Front |
| | LIT628370 | Modular Icemaker Service Sheet | 17 | 3400230 | Screw, Door Stop | | 2209428B | Black |
| | LIT2266811 | Installation Instructions | 18 | 2257644 | Hinge (Top) | 35 | 2005921 | Screw |
| | | | 20 | 489464 | Screw | 36 | | Bracket, Support Base (Front) |
| 2 | | Cabinet (Not A Serviceable Part) | 21 | 2004994 | Lock, Adjustable Bushing | | 2006616 | Left |
| 4 | 1112023 | Roller, Front & Rear (4) | 22 | 2002903 | Bushing | | 2006556 | Right |
| 5 | | Support, Leveler Assembly | 23 | 2209090 | Clamp, Filter Housing | 37 | 1157158 | Screw |
| | 2004506 | Refrigerator Side | 24 | 2004517 | Spring, Door Closure (2) | 38 | 2006617 | Bracket, Support Base (Rear) (2) |
| | 2004505 | Freezer Side | 25 | 486194 | Screw | 39 | 2006346 | Washer |
| 6 | 2005006 | Grommet, Wiring | 26 | 2005008 | Retaining Ring, Adjustable Bushing | 40 | 2006960 | Bushing, Extension Arm |
| 7 | 2005007 | Grommet, Flexible | 27 | 1113227 | Fastener (3) | 41 | 1163283 | Screw |
| 8 | | Cap, Water Filter | 28 | 2006342 | Gap, Cover Assembly (Bottom) | 42 | 2209709 | Union |
| | 2186494B | Black | 29 | | Hinge (Bottom) | 44 | 1118894 | Switch, Rocker Arm Refrigerator Door Side |
| 9 | 2006442 | Mounting Stud, Grill | | 2006780 | Freezer Side | | 1115373 | Freezer Door Side |
| 11 | 2005783 | Cam, Door Closer | | 2006779 | Refrigerator Side | 45 | 2215938 | Cover, Switch (2) |
| 12 | 2209022 | Housing, Water Filter | 30 | 2004992 | Bushing, Adjustable | 46 | 487415 | Screw (2) |
| | | | 31 | 8533913 | Screw 1/4-20 x 5/8 | 47 | | Bracket, Switch |
| | | | 32 | | Skirt-Grille, Bottom | | 2221097 | Right |
| | | | | 2209025B | Black | | 2221096 | Left |
| | | | | | | 48 | 2215612 | Cover, Rear |

FOR ORDERING INFORMATION REFER TO PARTS PRICE LIST

CABINET TRIM PARTS

For Models: KSSC42QMS00, KSSC42QMU00
(Stainless Steel) (Cobalt Blue)

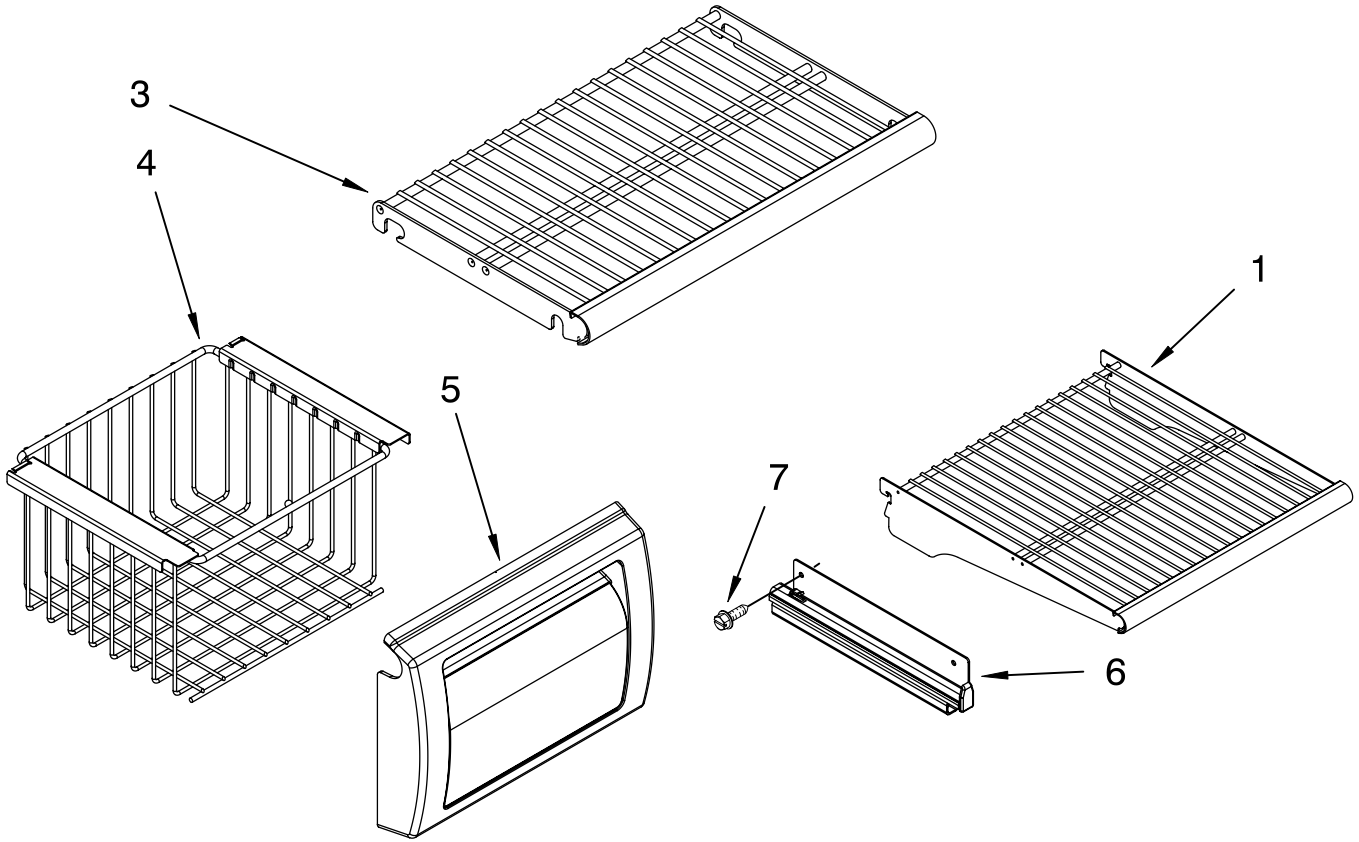


| Illus. No. | Part No. | DESCRIPTION |
|------------|----------|---------------------------------|
| 1 | | Cabinet, Trim (Right Side) |
| | 2222552S | Stainless Steel Screw |
| 3 | 1163283 | Stainless Steel Screw |
| 4 | 2254725 | Cabinet, Trim (Bottom) |
| 5 | 486194 | Screw |
| 6 | 2257367 | Cabinet, Trim Top |
| 7 | | Cabinet Trim (Left Side) |
| | 2222553S | Stainless Steel Seal-Trim, Side |
| 9 | 2005925 | Seal-Trim, Side |
| 10 | 489464 | Screw |

FOR ORDERING INFORMATION REFER TO PARTS PRICE LIST

FREEZER SHELF PARTS

For Models: KSSC42QMS00, KSSC42QMU00
(Stainless Steel) (Cobalt Blue)

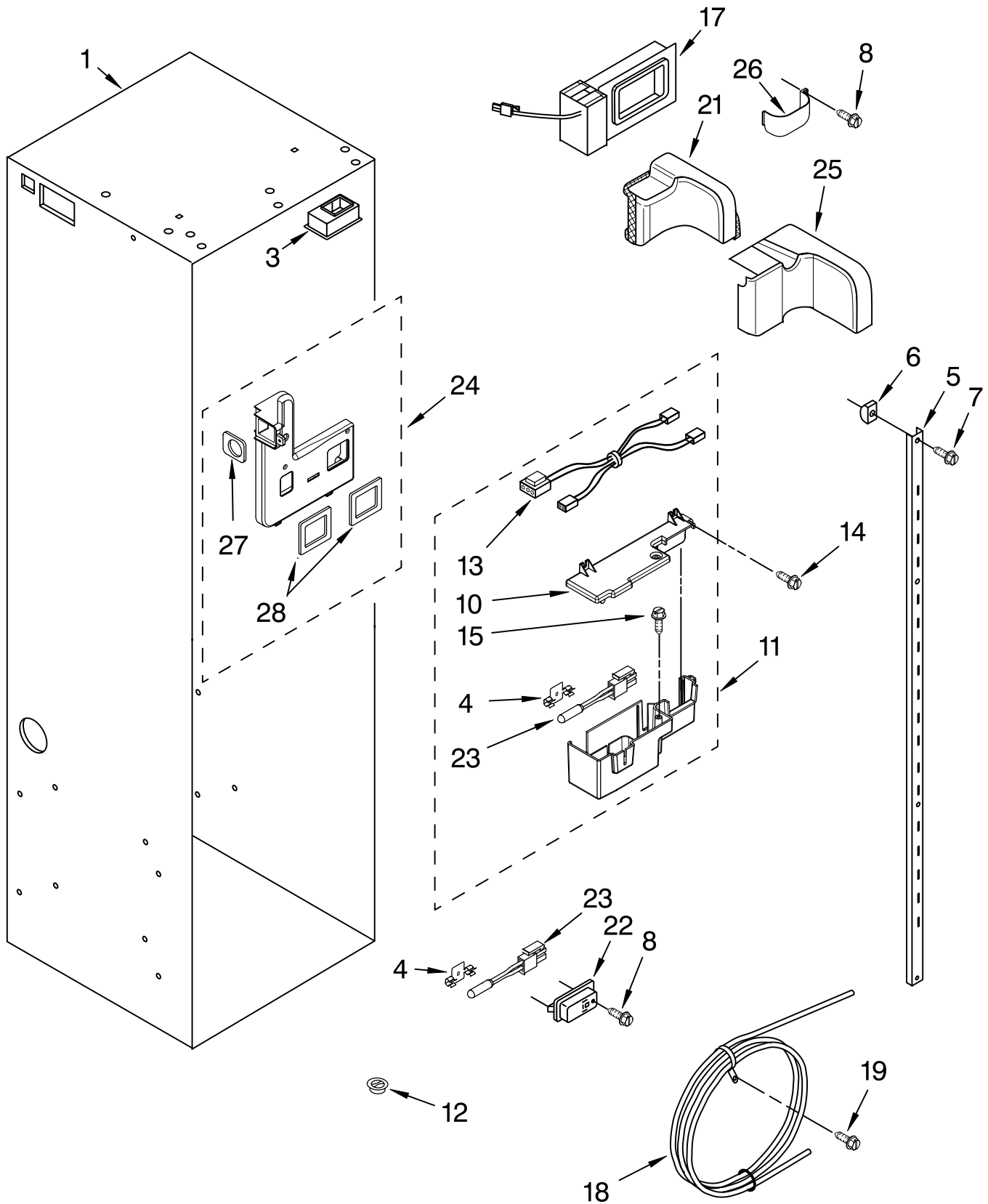


| Illus. No. | Part No. | DESCRIPTION |
|------------|----------|------------------|
| 1 | 2256205 | Wire, Shelf |
| 3 | 2259003 | Shelf, Fixed (2) |
| 4 | 2259082 | Basket |
| 5 | 2256270 | Front, Basket |
| 6 | | Slide, Basket |
| | 2259317 | Right Side |
| | 2259318 | Left Side |
| 7 | 8533928 | Screw |

FOR ORDERING INFORMATION REFER TO PARTS PRICE LIST

REFRIGERATOR LINER PARTS

For Models: KSSC42QMS00, KSSC42QMU00
(Stainless Steel) (Cobalt Blue)



FOR ORDERING INFORMATION REFER TO PARTS PRICE LIST

REFRIGERATOR LINER PARTS

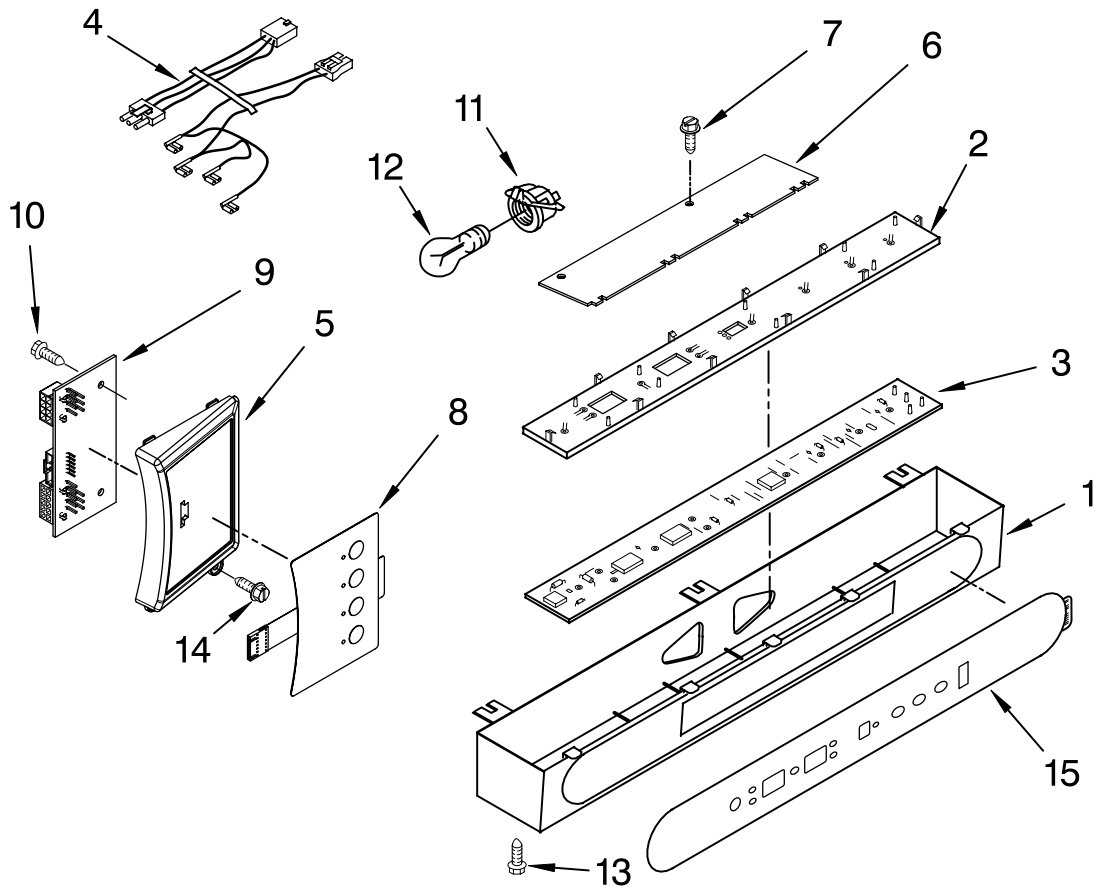
For Models: KSSC42QMS00, KSSC42QMU00
(Stainless Steel) (Cobalt Blue)

| <u>Illus.</u> <u>No.</u> | <u>Part</u> <u>No.</u> | <u>DESCRIPTION</u> |
|-----------------------------|---------------------------|--------------------------------|
| 1 | | Liner (Not A Serviceable Part) |
| 3 | 2208970 | Air Duct |
| 4 | 2209204 | Clip, Thermistor |
| 5 | 2259077 | Ladder, Shelf (2) |
| 6 | 520965 | Screw Support, Ladder (8) |
| 7 | 2006475 | Screw |
| 8 | 487539 | Screw |
| 10 | 2257528 | Lid, Meat Pan Baffle |
| 11 | 2257526 | Baffle, Control Assembly |
| 12 | 2171846 | Release Valve |
| 13 | 2187619 | Jumper, Air Baffle |
| 14 | 488357 | Screw |
| 15 | 486194 | Screw |
| 17 | 2221296 | Air Baffle Assembly |
| 18 | 2209687 | Reservoir |
| 19 | 488280 | Screw |
| 21 | 2208997 | Diffuser Assembly |
| 22 | 1116793 | Cover, Thermistor |
| 23 | 2213442 | Thermistor |
| 24 | 2259372 | Spacer, Air-Baffle |
| 25 | 2215728 | Cover, Diffuser |
| 26 | 2259066 | Cover, Air Return |
| 27 | 2259412 | Seal, Air Duct (Round Hole) |
| 28 | 2259398 | Seal, Air Duct (Square Hole) |

FOR ORDERING INFORMATION REFER TO PARTS PRICE LIST

CONTROL PANEL PARTS

For Models: KSSC42QMS00, KSSC42QMU00
(Stainless Steel) (Cobalt Blue)

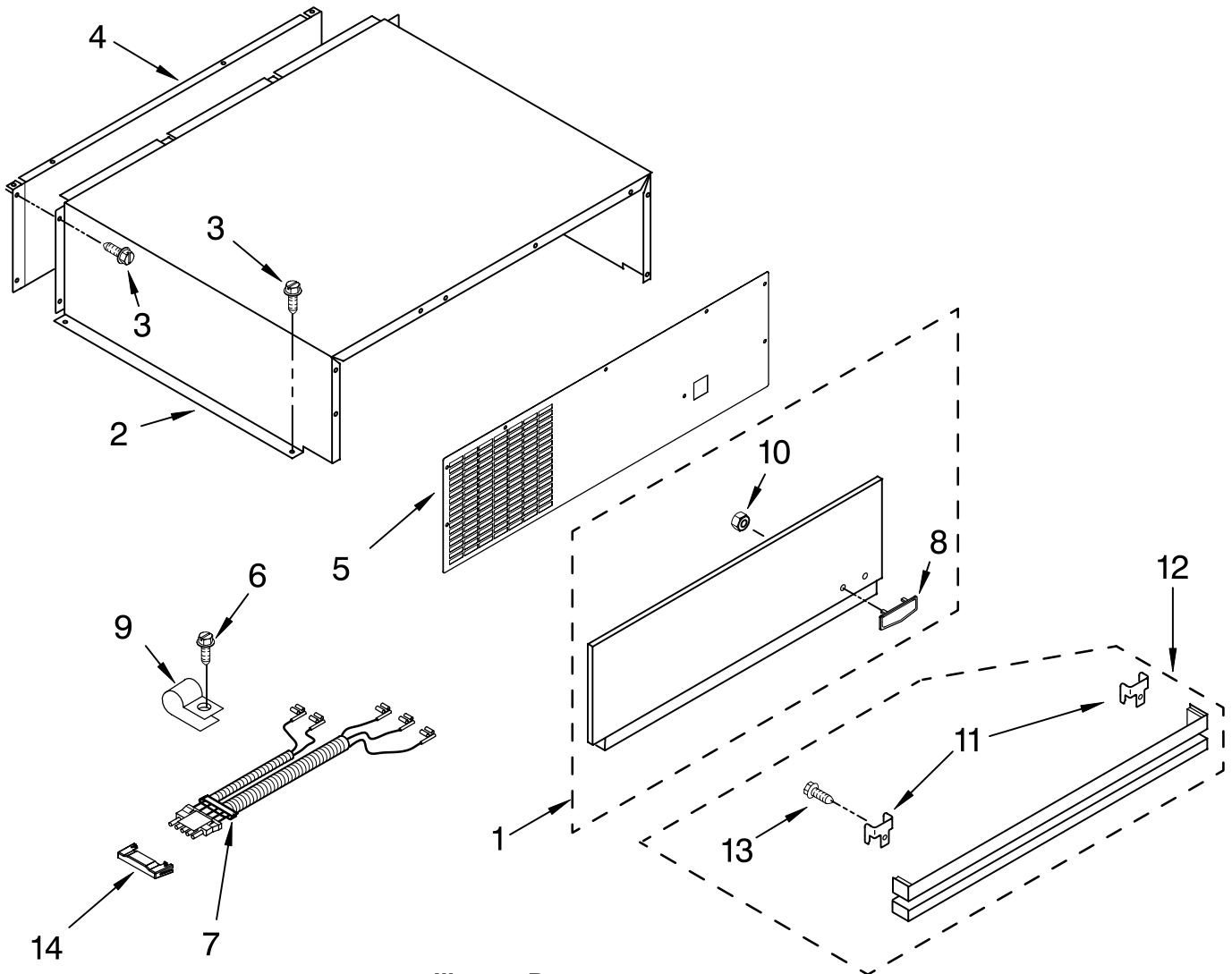


| Illus. No. | Part No. | DESCRIPTION |
|------------|----------|---------------------------------------|
| 1 | 2215716 | Control Box |
| 2 | 2215670 | Insert, Control Box |
| 3 | 2252110 | Circuit Board, Housing Control |
| 4 | 2187424 | Control Box Wire Harness |
| 5 | 2258914 | Panel Control Meat Pan |
| 6 | 2221121 | Support, Control Box |
| 7 | 489006 | Screw (2) |
| 8 | 2252067 | Touch Pad, Meat Pan |
| 9 | 2252068 | Display Board, Ingredient Care Center |
| 10 | 489214 | Screw |
| 11 | 2162085 | Socket, Light |
| 12 | 2255743 | Light Bulb (2) |
| 13 | 486194 | Screw |
| 14 | 8281185 | Screw |
| 15 | 2257519 | Overlay |

FOR ORDERING INFORMATION REFER TO PARTS PRICE LIST

TOP GRILLE AND UNIT COVER PARTS

For Models: KSSC42QMS00, KSSC42QMU00
(Stainless Steel) (Cobalt Blue)

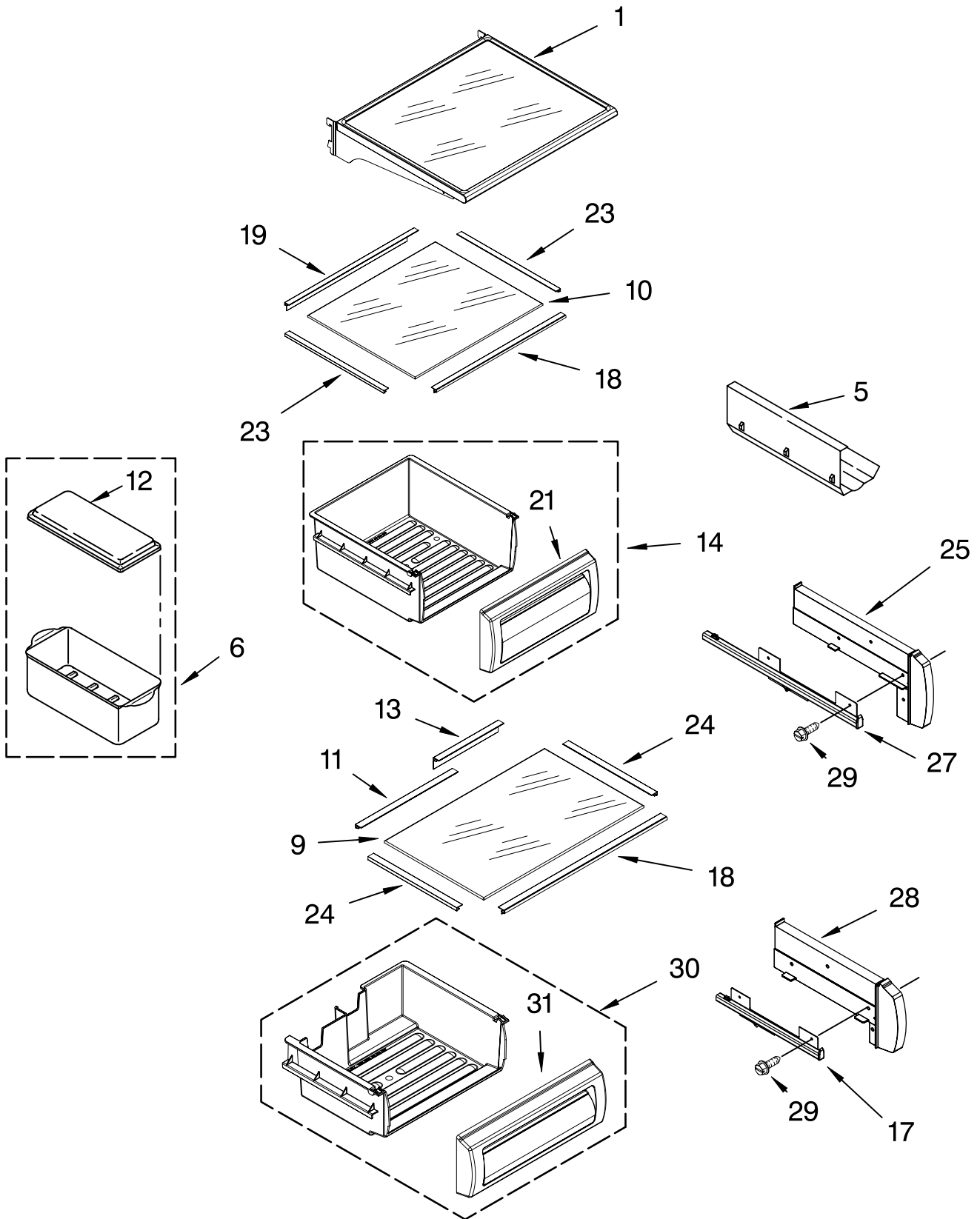


| Illus. No. | Part No. | DESCRIPTION |
|------------|----------|-------------------------------------|
| 1 | | Panel, Decorative Assembly |
| | 2257411U | Cobalt Blue |
| | 2257411S | Stainless Steel |
| 2 | 2259320 | Cover, Unit |
| 3 | 486194 | Screw |
| 4 | 2256466 | Back Panel |
| 5 | 2259095 | Cover, Unit Front |
| 6 | 487415 | Screw |
| 7 | 2187429 | Wire Assembly RC/FC Light Switch |
| 8 | 2005292 | Badge, Kitchen Aid |
| 9 | 489348 | Clamp |
| 10 | 2004333 | Nut |
| 11 | 2254759 | Bracket, Louver |
| 12 | | Louver, Grille |
| | 2254761S | Stainless Steel |
| 13 | 488879 | Screw |
| 14 | 2221297 | Connector, Enclosure |

FOR ORDERING INFORMATION REFER TO PARTS PRICE LIST

REFRIGERATOR SHELF PARTS

For Models: KSSC42QMS00, KSSC42QMU00
(Stainless Steel) (Cobalt Blue)



FOR ORDERING INFORMATION REFER TO PARTS PRICE LIST

REFRIGERATOR SHELF PARTS

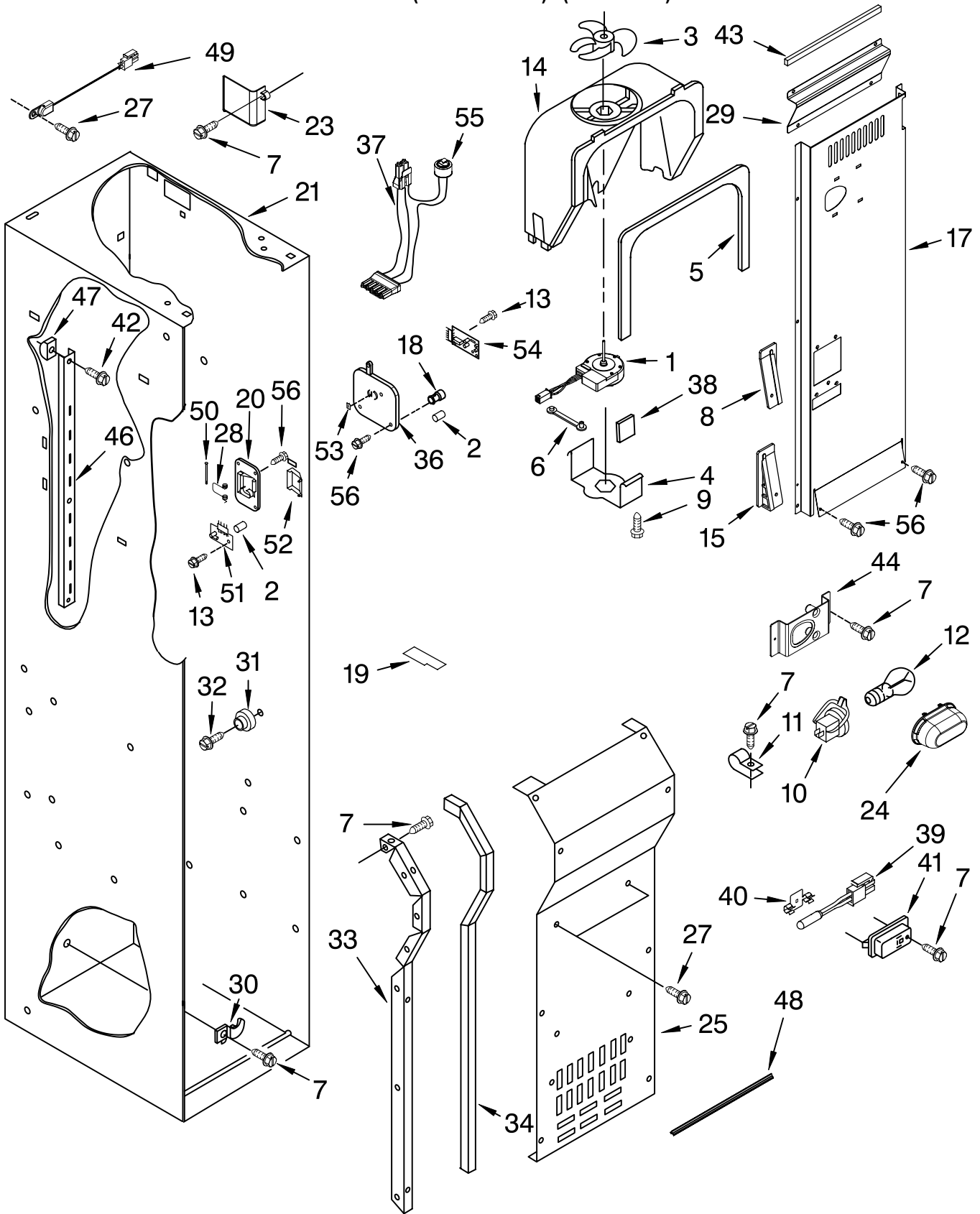
For Models: KSSC42QMS00, KSSC42QMU00
(Stainless Steel) (Cobalt Blue)

| Illus. No. | Part No. | DESCRIPTION |
|------------|----------|---------------------------------|
| 1 | 2222592 | Shelf Assembly |
| 5 | 2179404 | Rack, Wine |
| 6 | 2221071 | Egg Bin |
| 9 | 2256277 | Glass, Meat Pan Cover |
| 10 | 2256427 | Glass, Crisper Cover |
| 11 | 2257611 | Trim, Glass Rear Side |
| 12 | 2169935 | Cover |
| 13 | 2257582 | Trim, Glass Rear |
| 14 | 2252412 | Crisper Pan (2) |
| 17 | | Slide, Meat Pan |
| | 2256245 | Left Side |
| | 2256246 | Right Side |
| 18 | 2256228 | Trim, Glass Front |
| 19 | 2256254 | Trim, Glass Rear |
| 21 | 2256248 | Front, Crisper Pan |
| 23 | 2252255 | Trim, Glass Side Crisper Pan |
| 24 | 2256250 | Trim, Glass Side Meat Pan |
| 25 | | Spacer, Crisper |
| | 2256222 | Right Side (2) |
| | 2256223 | Left Side (2) |
| 27 | | Slide, Crisper |
| | 2222988 | Right Side (2) |
| | 2222987 | Left Side (2) |
| 28 | | Spacer, Meat Pan |
| | 2256243 | Left Side |
| | 2256244 | Right Side |
| 29 | | Screw |
| | 8533929 | Right Side- (8-18 x 1.375) |
| | 8533928 | Left Side- (8-18 x .750) |
| 30 | 2256369 | Pan Assembly Meat |
| 31 | 2256366 | Front, Meat Pan |

FOR ORDERING INFORMATION REFER TO PARTS PRICE LIST

FREEZER LINER AND AIR FLOW PARTS

For Models: KSSC42QMS00, KSSC42QMU00
(Stainless Steel) (Cobalt Blue)



FOR ORDERING INFORMATION REFER TO PARTS PRICE LIST

FREEZER LINER AND AIR FLOW PARTS

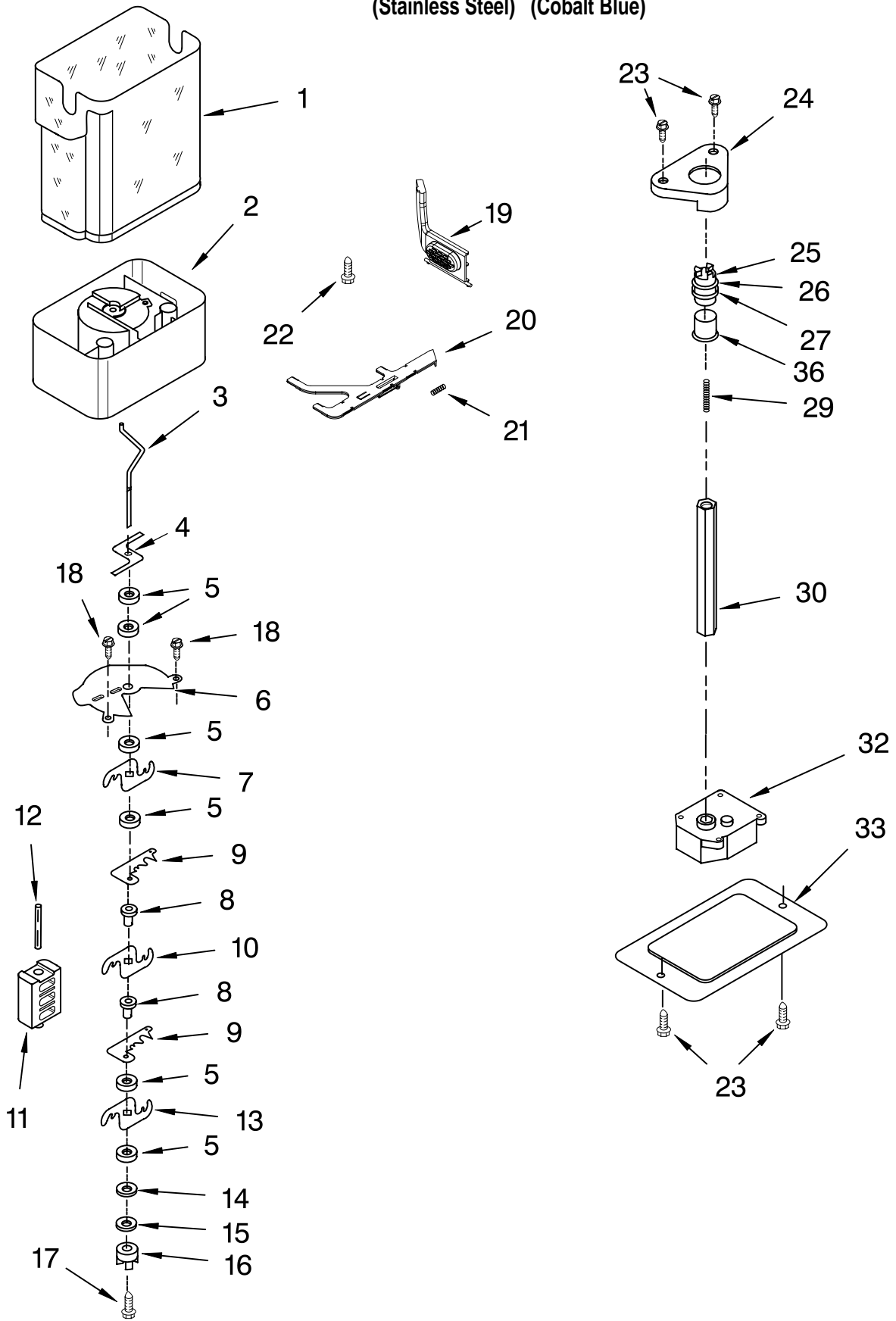
For Models: KSSC42QMS00, KSSC42QMU00
(Stainless Steel) (Cobalt Blue)

| Illus. No. | Part No. | DESCRIPTION | Illus. No. | Part No. | DESCRIPTION | Illus. No. | Part No. | DESCRIPTION |
|------------|----------|---------------------|------------|----------|--------------------------------|------------|----------|----------------------|
| 1 | 2259385 | Fan Motor | 20 | 2215650 | Cover, Emitter | 38 | 2220241 | Insulation (4) |
| 2 | 2198665 | Tube, P.C. Board | 21 | | Liner (Not A Serviceable Part) | 39 | 2213442 | Thermistor |
| 3 | 2169142 | Fan Blade | | | | 40 | 2209204 | Clip, Thermistor |
| 4 | 2155590 | Retainer, Fan Motor | 23 | 2259025 | Cover, Air Outlet | 41 | 1116793 | Cover, Thermistor |
| 5 | 2155789 | Gasket, Cover | 24 | 2259367 | Light Shield | 42 | 2006475 | Screw |
| 6 | 2208968 | Grommet | 25 | 2221105 | Cover, Evaporator | 43 | 2259058 | Gasket, Air Duct |
| 7 | 486194 | Screw | 27 | 487539 | Screw | 44 | 2257571 | Bracket, Light |
| 8 | 2259464 | Wedge, Air Duct | 28 | 2198635 | Spring | 46 | 2259032 | Ladder, Shelf |
| 9 | 488500 | Screw, Ground | 29 | 2259055 | Deflector, Air Duct | 47 | 2259445 | Support, Screw |
| 10 | 2162085 | Socket, Light (2) | 30 | 1112260 | Support, Evaporator | 48 | 2259467 | Gasket, Air Duct |
| 11 | 488937 | Clamp, Nylon | | | | 49 | 2266949 | Thermistor |
| 12 | 2255743 | Light Bulb | 31 | 2196483 | Shelf, Stud (20) | 50 | 2198634 | Pin |
| 13 | 489214 | Screw | 32 | 8281158 | Screw | 51 | 2220398 | P.C. Board |
| 14 | 2182120 | Scroll, Fan | 33 | | Evaporator, Cover Rail | 52 | 2198633 | Flipper |
| 15 | 2259465 | Wedge, Air Duct | | | | 53 | 2255563 | Slide, Icemaker |
| 17 | 2259022 | Air Duct | | 2221107 | Left Side | | | Shut Off |
| 18 | 2198643 | Lens | | 2259355 | Right Side | 54 | 2255114 | P.C. Board, Receiver |
| 19 | | Block, Fan Scroll | 34 | 2220904 | Gasket (2) | | | |
| | 2209480 | Right | | | Evaporator Cover | 55 | 2196155 | Defrost, Bi-Metal |
| | 2209066 | Left | 36 | 2259493 | Cover, Receiver | 56 | 8281185 | Screw |
| | | | 37 | 2187520 | Harness, Evap Fan | | | |

FOR ORDERING INFORMATION REFER TO PARTS PRICE LIST

MOTOR AND ICE CONTAINER PARTS

For Models: KSSC42QMS00, KSSC42QMU00
(Stainless Steel) (Cobalt Blue)



FOR ORDERING INFORMATION REFER TO PARTS PRICE LIST

MOTOR AND ICE CONTAINER PARTS

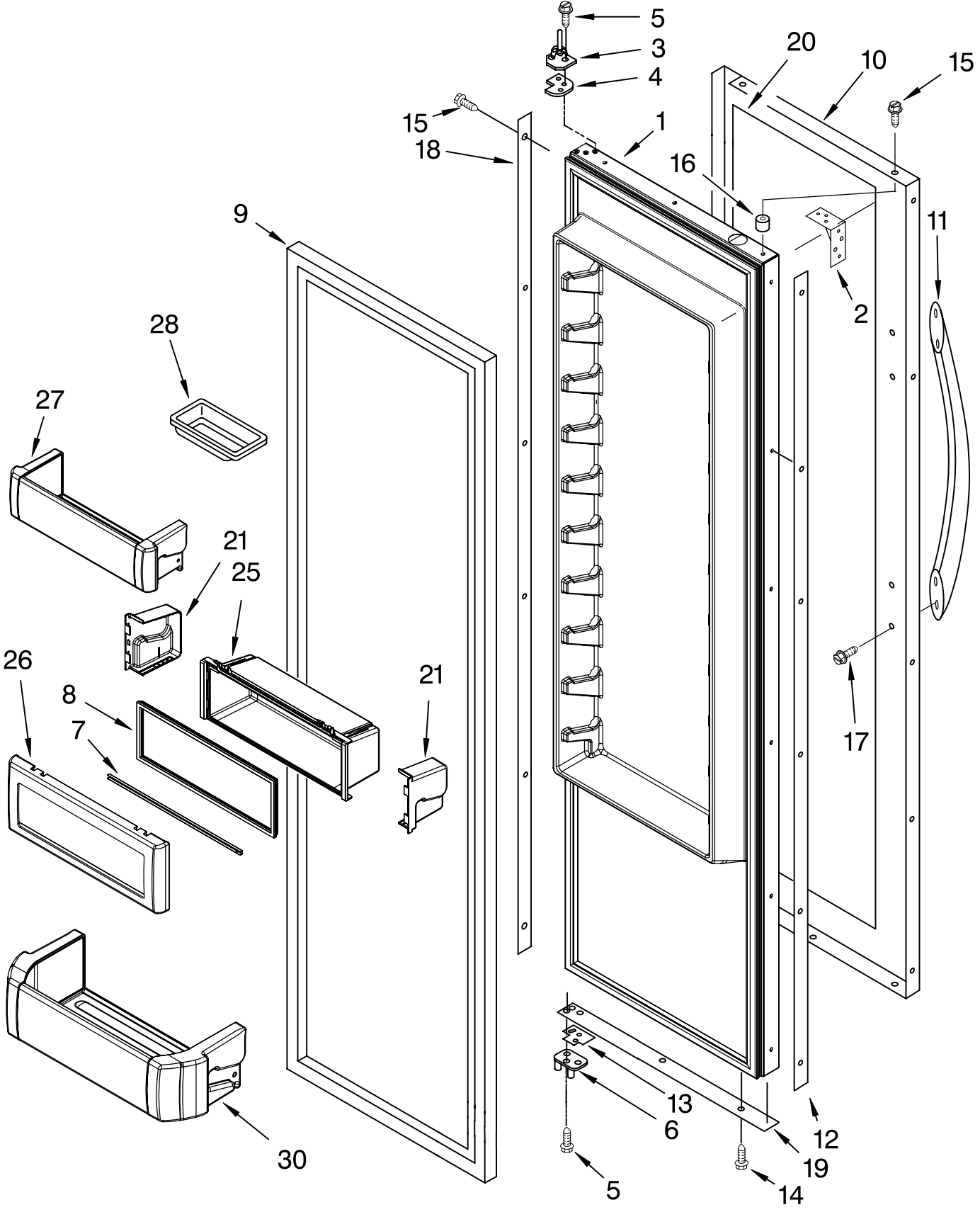
For Models: KSSC42QMS00, KSSC42QMU00
(Stainless Steel) (Cobalt Blue)

| Illus. | Part | |
|---------------|-------------|--------------------|
| No. | No. | DESCRIPTION |
| 1 | 2222965 | Ice Bin |
| 2 | 2222964 | Crusher Bin |
| 3 | 2211590 | Auger |
| 4 | 2198603 | Blade, Stirring |
| 5 | 1119007 | Spacer, Flat (6) |
| 6 | 2255460 | Cover, Crusher |
| 7 | 1119013 | Blade, Rotary |
| 8 | 1119005 | Spacer, Step (2) |
| 9 | 2198601 | Blade, Fixed |
| 10 | 1119012 | Blade, Rotary |
| 11 | 2198602 | Block, Blade |
| 12 | 489229 | Roll Pin |
| 13 | 1119006 | Blade, Rotary |
| 14 | 489235 | Washer, Plain |
| 15 | 2198661 | Washer, Coupling |
| 16 | 2220457 | Coupling, Top |
| 17 | 8281164 | Screw |
| 18 | 3400065 | Screw |
| 19 | 2252265 | Button, Bin |
| 20 | 2252207 | Latch, Bin |
| 21 | 2198608 | Spring, Latch |
| 22 | 2198671 | Screw (2) |
| 23 | 8281163 | Screw |
| 24 | 2212369 | Holder |
| 25 | 2220458 | Coupling, Bottom |
| 26 | 2198628 | Seal |
| 27 | 2212370 | Washer |
| 29 | 2198607 | Spring |
| 30 | 999536 | Drive Shaft |
| 32 | 2212363 | Dispenser, Motor |
| 33 | 2222862 | Cover |
| 36 | 2212365 | Sleeve. Coupling |

FOR ORDERING INFORMATION REFER TO PARTS PRICE LIST

REFRIGERATOR DOOR PARTS

For Models: KSSC42QMS00, KSSC42QMU00
(Stainless Steel) (Cobalt Blue)



FOR ORDERING INFORMATION REFER TO PARTS PRICE LIST

REFRIGERATOR DOOR PARTS

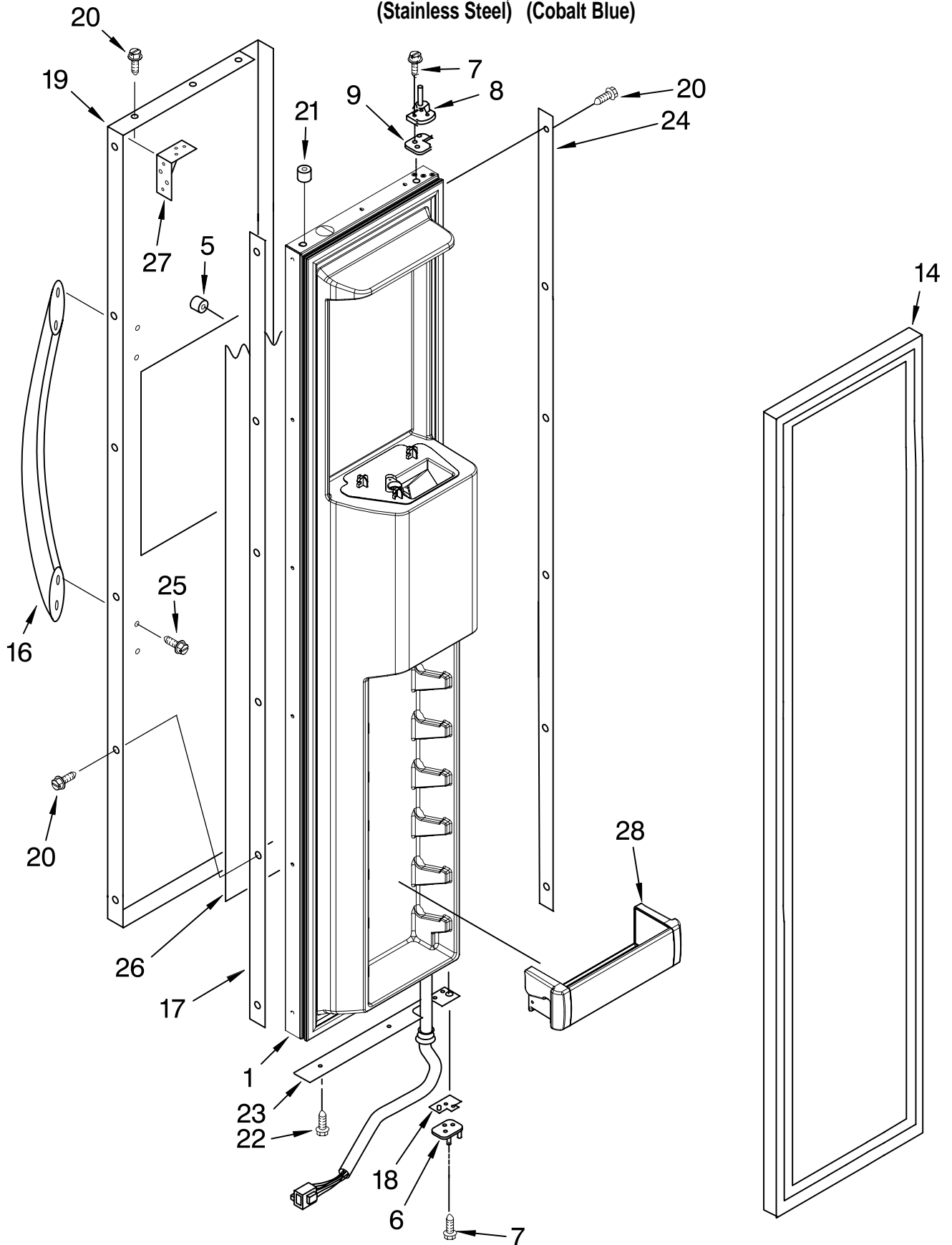
For Models: KSSC42QMS00, KSSC42QMU00
(Stainless Steel) (Cobalt Blue)

| Illus. No. | Part No. | DESCRIPTION |
|------------|----------|---|
| 1 | 2252330 | Refrigerator Door Panel (Includes Item #9) |
| 2 | 2258951 | Brace, Door Corner |
| 3 | 2266854 | Hinge Assembly, Top |
| 4 | 2256381 | Spacer-Door, Top |
| 5 | 489282 | Screw |
| 6 | 2256389 | Hinge Assembly, Bottom |
| 7 | 2222796 | Rail, Lid |
| 8 | 2222982 | Gasket, Utility Bin |
| 9 | 2222811 | Door Gasket, Magnetic |
| 10 | | Skin, Door |
| | 2006772U | Cobalt Blue |
| | 2006772 | Stainless Steel |
| 11 | | Handle, Door |
| | 2005290 | Stainless Steel |
| 12 | 2300028 | Spacer, Door-Skin (Handle Side) |
| 13 | 2257637 | Door, Spacer Bottom |
| 14 | 488568 | Screw |
| 15 | | Screw, 8-15 x .500 |
| | 8281250 | Stainless Steel |
| 16 | 2005433 | Spacer, Door-Skin (Top) |
| 17 | 308544 | Screw, Handle |
| 18 | 2005030 | Spacer, Door-Skin (Hinge Side) |
| 19 | 2004934 | Spacer, Door-Skin (Bottom) |
| 20 | 2005326 | Filler, Door |
| 21 | | End Cap |
| | 2222919 | Right Side |
| | 2222920 | Left Side |
| 25 | 2222922 | Bin, Utility Center |
| 26 | 2222925 | Door, Utility Bin |
| 27 | 2222773 | Door Shelf |
| 28 | 2165792 | Butter Tray |
| 30 | 2222770 | Shelf, Gallon Door |

FOR ORDERING INFORMATION REFER TO PARTS PRICE LIST

FREEZER DOOR PARTS

For Models: KSSC42QMS00, KSSC42QMU00
(Stainless Steel) (Cobalt Blue)



FOR ORDERING INFORMATION REFER TO PARTS PRICE LIST

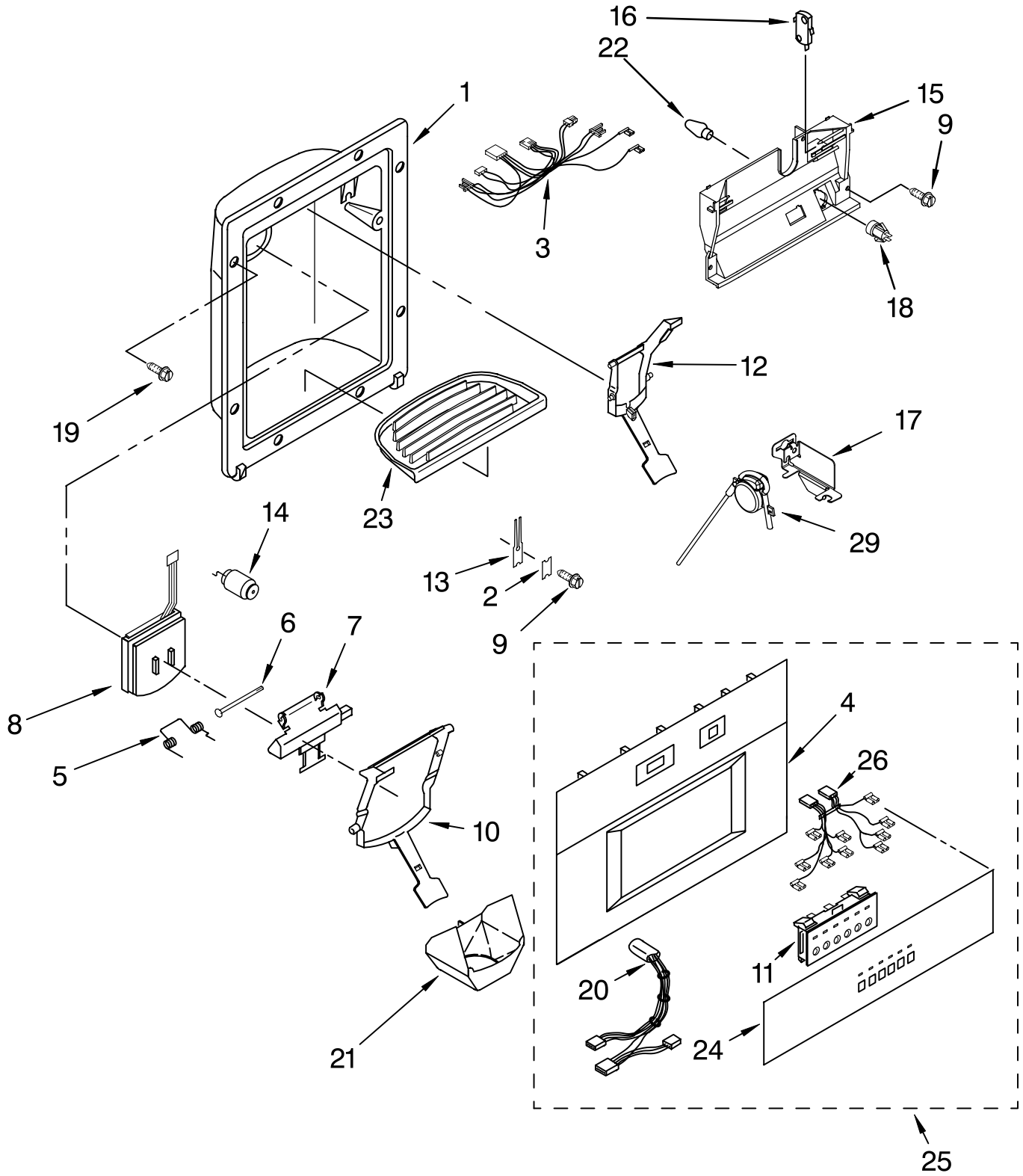
FREEZER DOOR PARTS

For Models: KSSC42QMS00, KSSC42QMU00
(Stainless Steel) (Cobalt Blue)

| Illus. No. | Part No. | DESCRIPTION |
|---------------|-------------|--|
| 1 | | Freezer Door Panel (Includes Item #14) |
| | 2252324B | Black |
| | 2252324U | Cobalt Blue |
| 5 | 2252354 | Spacer |
| 6 | 2256390 | Hinge, Bottom |
| 7 | 489282 | Screw |
| 8 | 2266854 | Hinge, Top |
| 9 | 2256381 | Spacer-Door, Top |
| 14 | 2222814 | Door Gasket, Magnetic |
| 16 | | Handle, Door |
| | 2005290 | Stainless Steel |
| 17 | 2300028 | Spacer, Door-Skin (Handle Side) |
| 18 | 2257637 | Door, Spacer |
| 19 | | Skin, Door |
| | 2222910U | Cobalt Blue |
| | 2222910 | Stainless Steel |
| 20 | | Screw |
| | 8281250 | Stainless Steel |
| 21 | 2005433 | Spacer, Door-Skin (Top) |
| 22 | 488568 | Screw |
| 23 | 2257385 | Spacer, Door-Skin (Bottom) |
| 24 | 2005030 | Spacer, Door-Skin (Hinge Side) |
| 25 | 308544 | Screw, Handle |
| 26 | 2252391 | Filler, Door |
| 27 | 2258951 | Brace, Door Corner |
| 28 | 2222776 | Bin, Shelf F.C. (3) |

DISPENSER FRONT PARTS

For Models: KSSC42QMS00, KSSC42QMU00
(Stainless Steel) (Cobalt Blue)



FOR ORDERING INFORMATION REFER TO PARTS PRICE LIST

DISPENSER AND FRONT PARTS

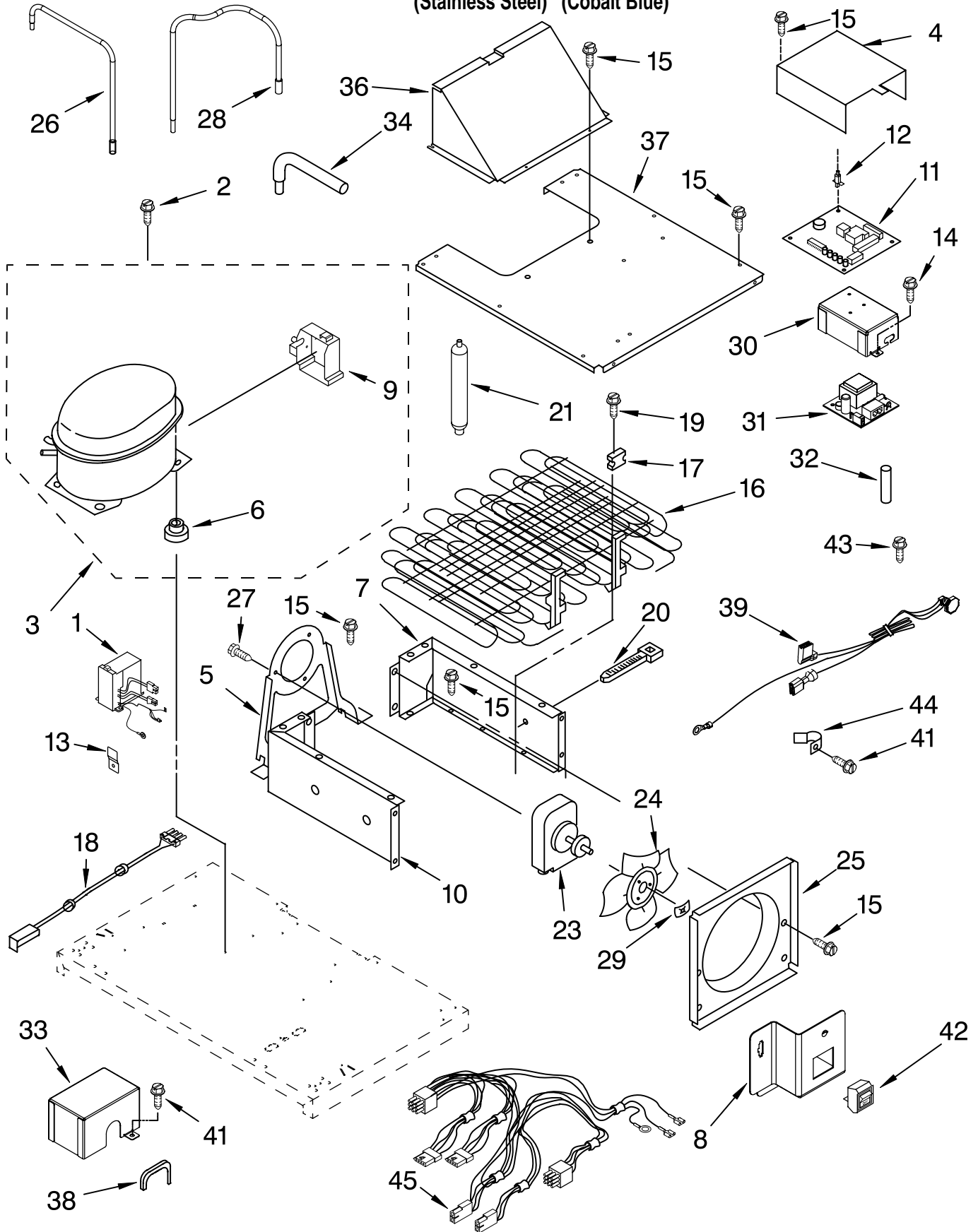
For Models: KSSC42QMS00, KSSC42QMU00
(Stainless Steel) (Cobalt Blue)

| Illus. No. | Part No. | DESCRIPTION |
|------------|----------|---|
| 1 | | Housing, Dispenser (Not Serviced) |
| 2 | 2195051 | Strain Relief |
| 3 | 2187523 | Wire Assembly |
| 4 | | Cover, Dispenser (Not Available— Order Item 25) |
| 5 | 2180209 | Spring, Torsion |
| 6 | 2196195 | Pin |
| 7 | 2206423 | Ice Door Mechanism |
| 8 | 2180352 | Door, Ice |
| 9 | 489000 | Screw |
| 10 | | Lever, Ice Dispenser |
| | 2259396B | Black |
| | 2259396U | Cobalt Blue |
| 11 | | Switch Assembly (Not Available Order Item 25) |
| 12 | | Lever, Water Dispenser |
| | 2259395B | Black |
| | 2259395U | Cobalt Blue |
| 13 | 2194719 | Spring, Lever |
| 14 | 2205686 | Delay Mechanism |
| 15 | 2183771 | Bracket, Control |
| 16 | 2162361 | Switch (4) |
| 17 | 2259209 | Bracket, Anti- Drip Valve |
| 18 | 2180200 | Lamp Holder |
| 19 | 3400091 | Screw |
| 20 | 2187680 | Wire Assembly |
| 21 | 2180224 | Guide, Ice |
| 22 | 3406124 | Light Bulb |
| 23 | | Grille, Overflow |
| | 2206670B | Black |
| | 2302944U | Cobalt Blue |
| 24 | | Overlay, Cover (Not Available— Order Item 25) |
| 25 | | Front Cover Assembly (Includes Items 4, 11, 20 & 24) |
| | 2222526U | Cobalt Blue |
| | 2222526B | Black |
| 26 | 2187623 | Switch—Jumper, Wire Assembly |
| 29 | 2257420 | Valve, Anti-Drip |

FOR ORDERING INFORMATION REFER TO PARTS PRICE LIST

UPPER UNIT PARTS

For Models: KSSC42QMS00, KSSC42QMU00
(Stainless Steel) (Cobalt Blue)



FOR ORDERING INFORMATION REFER TO PARTS PRICE LIST

UPPER UNIT PARTS

For Models: KSSC42QMS00, KSSC42QMU00
(Stainless Steel) (Cobalt Blue)

| Illus. No. | Part No. | DESCRIPTION |
|------------|----------|---|
| 1 | 2223385 | Inverter Box |
| 2 | 489373 | Screw, Compressor Mounting (4) |
| 3 | 2223393 | Compressor (Includes Items 6 & 9)(Also Order 876765 Tube Kit) |
| 4 | 2257354 | Housing, Control Board |
| 5 | 2215641 | Bracket, Fan Motor |
| 6 | 1100826 | Grommet, Mounting |
| 7 | 2266803 | Shroud, Condenser (Right) |
| 8 | 2259096 | Bracket, Switch |
| 9 | 2215676 | Terminal Cover |
| 10 | 2259369 | Shroud, Condenser (Left) |
| 11 | 2252097 | Control Board |
| 12 | 2203075 | Spacer (5) |
| 13 | 2256328 | Bracket, Inverter Box |
| 14 | 8281149 | Screw |
| 15 | 1157158 | Screw |
| 16 | 2259307 | Condenser |
| 17 | 943447 | Grommet (4) |
| 18 | 2187679 | Wire, Jumper |
| 19 | 487522 | Screw |
| 20 | 857547 | Wire Tie (2) |
| 21 | 2252363 | Drier |

| Illus. No. | Part No. | DESCRIPTION |
|------------|----------|--------------------------------------|
| 23 | 2206036 | Motor, Fan |
| 24 | 2190685 | Blade, Fan |
| 25 | 2003169 | Orifice, Fan |
| 26 | 2259302 | Tube, Drier Transition |
| 27 | 8281160 | Screw |
| 28 | 2259340 | Tube, Heat Loop Transition |
| 29 | 486692 | Speed Nut |
| 30 | 2259349 | Housing, Power Supply |
| 31 | 2259350 | Power Supply, Ingredient Care Center |
| 32 | 2000645 | Sleeve, Condenser |
| 33 | 2259463 | Cover, Electrical |
| 34 | 2194319 | Process, Tube |
| 36 | 2209495 | Cover, Fan |
| 37 | 2259092 | Cover, Condenser |
| 38 | 2266857 | Grommet, Flexible |
| 39 | 2259197 | Service Cord |
| 41 | 486194 | Screw |
| 42 | 2266802 | Switch, Power Disconnect |
| 43 | 487294 | Screw, Ground |
| 44 | 549193 | Clamp, Cord |
| 45 | 2187625 | Wiring Harness, Unit Compartment |

Following Parts Not Illustrated and Optional Parts Not Included

| | |
|--------|-----------------------|
| 978025 | Valve, Access (1/4") |
| 978026 | Valve, Access (5/16") |
| 978027 | Valve, Access (3/8") |
| 978028 | Valve, Access (1/2") |
| 978029 | Valve, Access (5/8") |
| 978030 | Valve, Access (3/4") |
| 876764 | Valve, Access (3/16") |

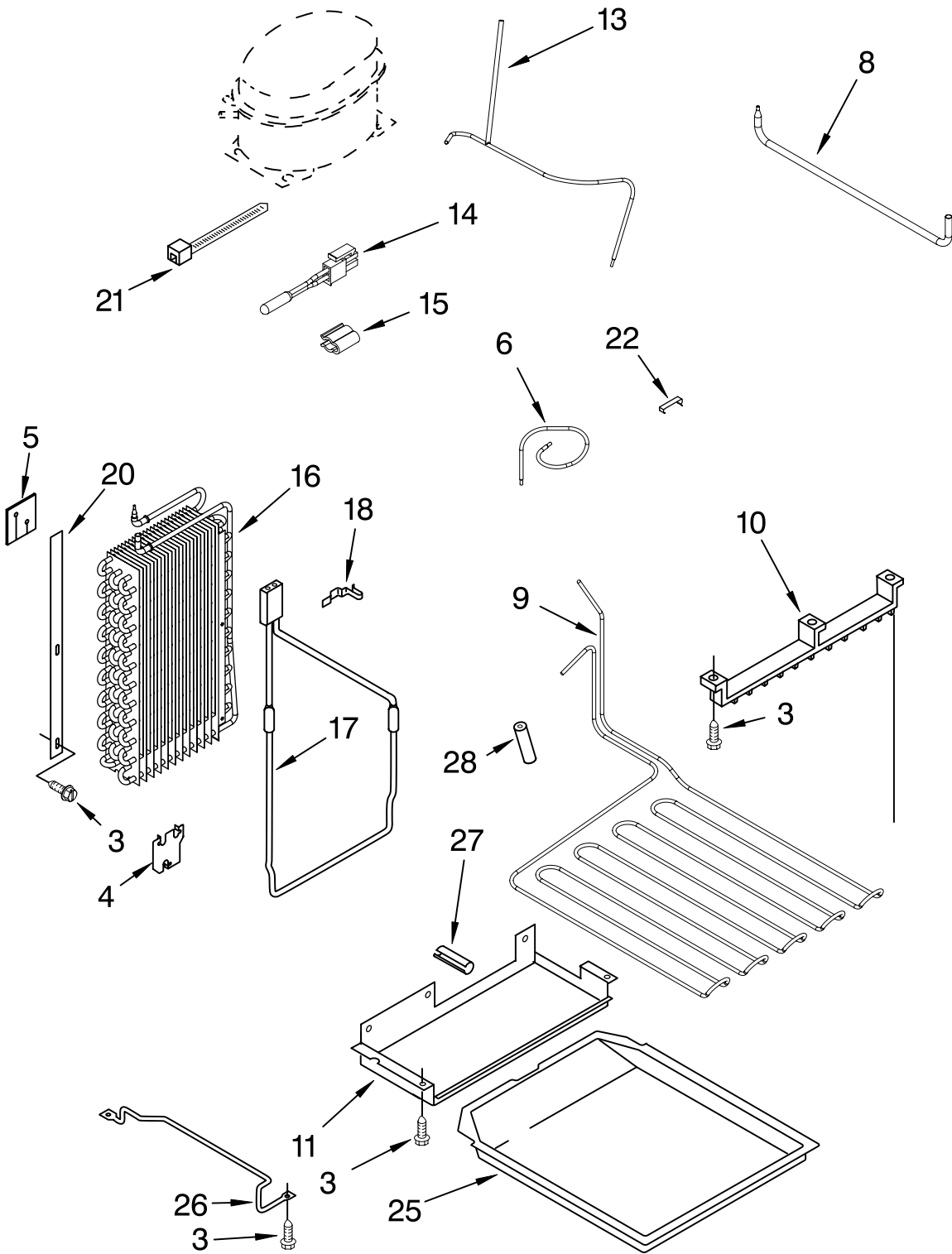
REFRIGERANT CHARGE

7.50 oz.
(R-134A)



LOWER UNIT AND TUBE PARTS

For Models: KSSC42QMS00, KSSC42QMU00
(Stainless Steel) (Cobalt Blue)



FOR ORDERING INFORMATION REFER TO PARTS PRICE LIST

LOWER UNIT AND TUBE PARTS

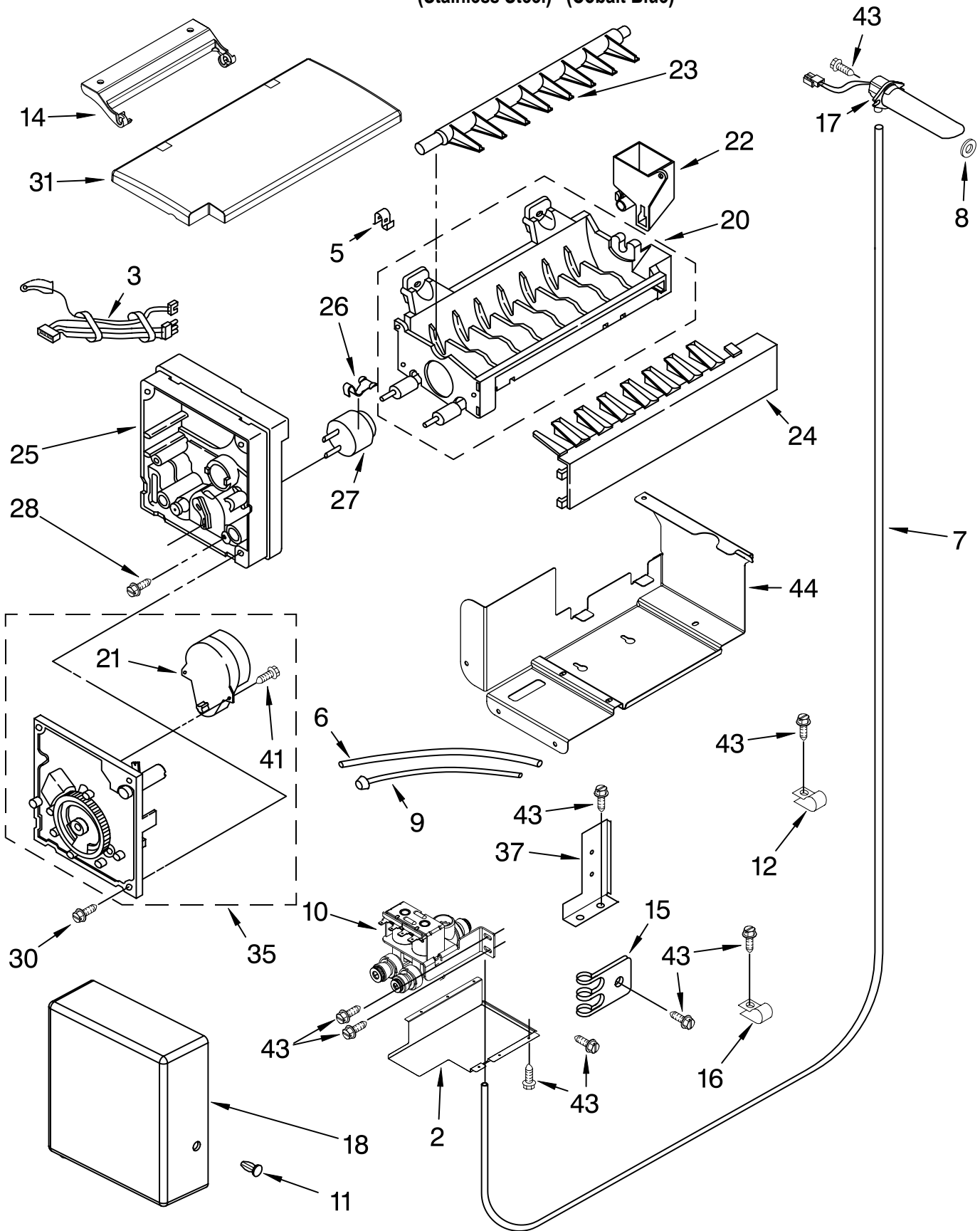
For Models: KSSC42QMS00, KSSC42QMU00
(Stainless Steel) (Cobalt Blue)

| Illus. No. | Part No. | DESCRIPTION |
|-----------------------|---------------------|-------------------------------------|
| 3 | 486194 | Screw |
| 4 | 2215508 | Bracket |
| 5 | 2259244 | Side Support |
| 6 | 2259303 | Suction Tube |
| 8 | 2259304 | Tube, Connect (Drier/Restrictor) |
| 9 | 2259329 | Heater, Drain Pan |
| 10 | 2209450 | Hanger, Heater |
| 11 | 2005908 | Shield, Drain Pan |
| 13 | 2259353 | Tube, Discharge |
| 14 | 2216113 | Thermistor |
| 15 | 2257639 | Clip, Thermistor |
| 16 | 2259030 | Evaporator |
| 17 | 2006750 | Heater, Defrost |
| 18 | 1113048 | Clamp, Heater (2) |
| 20 | 2220832 | Gasket, Evaporator |
| 21 | 857547 | Wire Tie |
| 22 | 2215691 | Clip, Heat Exchanger |
| 25 | 2001264 | Drain Pan |
| 26 | | Bracket, Drain Pan |
| | 1113206 | Left |
| | 1113207 | Right |
| 27 | 513942 | Dampener |
| 28 | 2215648 | Damper, Heater |

FOR ORDERING INFORMATION REFER TO PARTS PRICE LIST

ICEMAKER PARTS

For Models: KSSC42QMS00, KSSC42QMU00
(Stainless Steel) (Cobalt Blue)



FOR ORDERING INFORMATION REFER TO PARTS PRICE LIST

ICEMAKER PARTS

For Models: KSSC42QMS00, KSSC42QMU00
(Stainless Steel) (Cobalt Blue)

| Illus. No. | Part No. | DESCRIPTION | Illus. No. | Part No. | DESCRIPTION | Illus. No. | Part No. | DESCRIPTION |
|------------|----------|---------------------------|------------|----------|---|------------|----------|--|
| 2 | 2300104 | Cover, Electrical Bottom | 16 | 488937 | Clamp Tube | 28 | 8533917 | Screw |
| 3 | 2187716 | Wire Assembly, Ice maker | 17 | 2259417 | Tube, Water Inlet | 30 | 489276 | Screw |
| 5 | 628379 | Clip, Fuse | 18 | 2257538 | Cover | 31 | 2222967 | Cover, Ice maker |
| 6 | 2214613 | Tube, Filter Inlet | 20 | 628228 | Mold & Heater (Also Order 542638 Silicone Grease) | 35 | 628399 | Module Assembly (Includes Items 21 & 41) |
| 7 | 2252393 | Water Inlet Tube Assembly | 21 | 628398 | Motor | 37 | 2004914 | Water Valve Mounting Bracket |
| 8 | 1106508 | Seal Gasket | 22 | 628356 | Cup-Water Fill | 41 | 489136 | Screw (2) |
| 9 | 2254800 | Tube, Filter Outlet | 23 | 627843 | Ejector | 43 | 486194 | Screw |
| 10 | 2221221 | Valve, Solenoid | 24 | 2198598 | Ice Striper | 44 | 2252228 | Bracket, Ice maker Mounting |
| 11 | 489115 | Fastener, Snap-In | 25 | 2194712 | Support | 100 | 2266835 | Complete Ice maker Assembly |
| 12 | 2221070 | Clamp, Tube | 26 | 627796 | Retainer Thermostat (2) | | | |
| 14 | 2198641 | Bracket, Ice maker Cover | 27 | 628397 | Thermostat (Also Order 542639 Cement Alumilastic) | | | |
| 15 | 2208136 | Clamp, Nylon Valve | | | | | | |

PARTS NOT ILLUSTRATED

| Illus. No. | Part No. | DESCRIPTION |
|------------|----------|-------------|
|------------|----------|-------------|

Following Parts Not Illustrated
(Optional Parts Only)

| | |
|---------|-----------------------------|
| 2006783 | Cleaner, Stainless Steel |
|---------|-----------------------------|