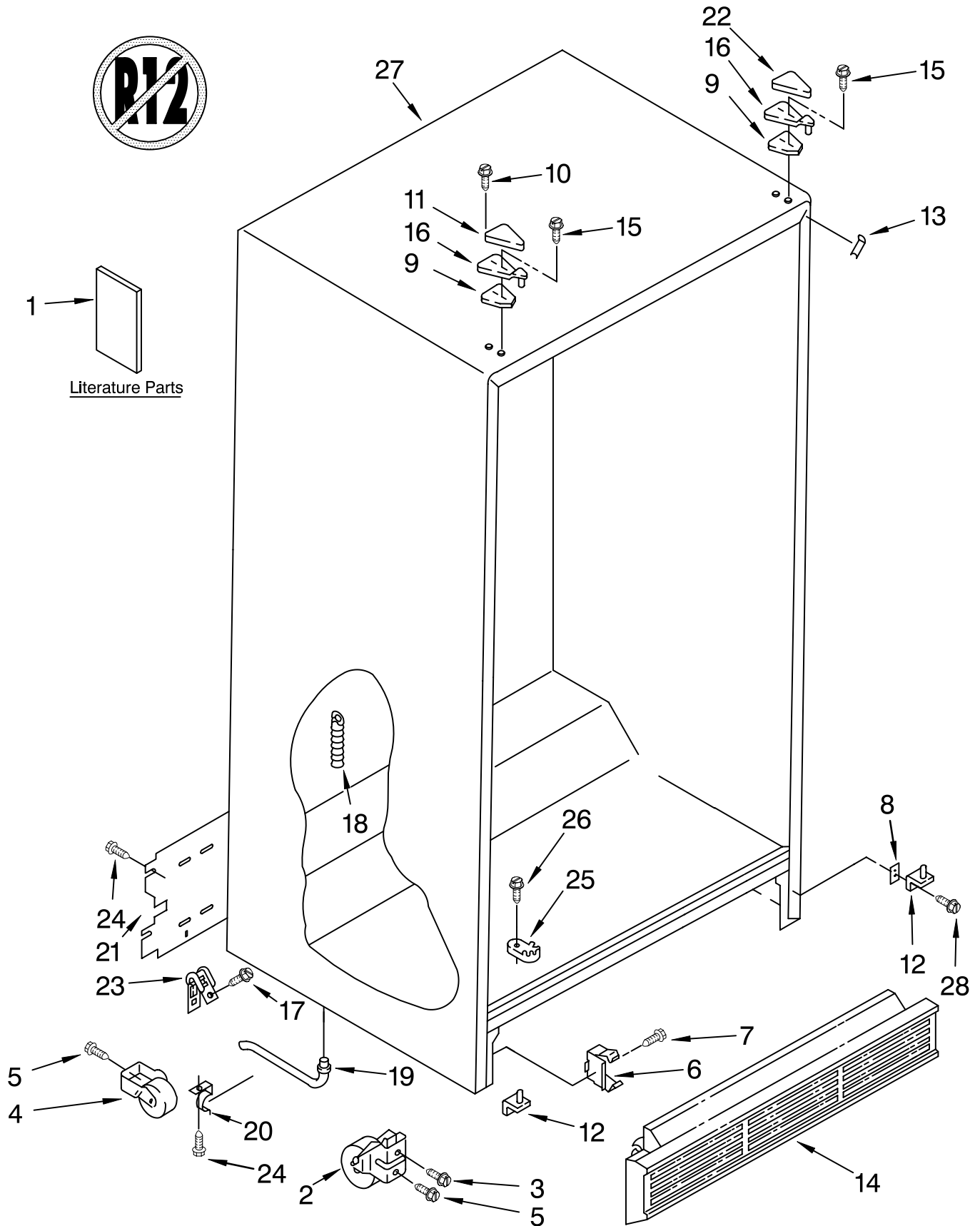
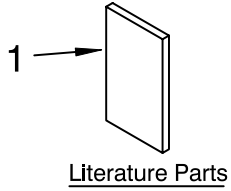


For Models: KRSR25KGWH02, KRSR25KGBT02, KRSR25KGBL02
(White) (Biscuit) (Black)



FOR ORDERING INFORMATION REFER TO PARTS PRICE LIST

CABINET PARTS

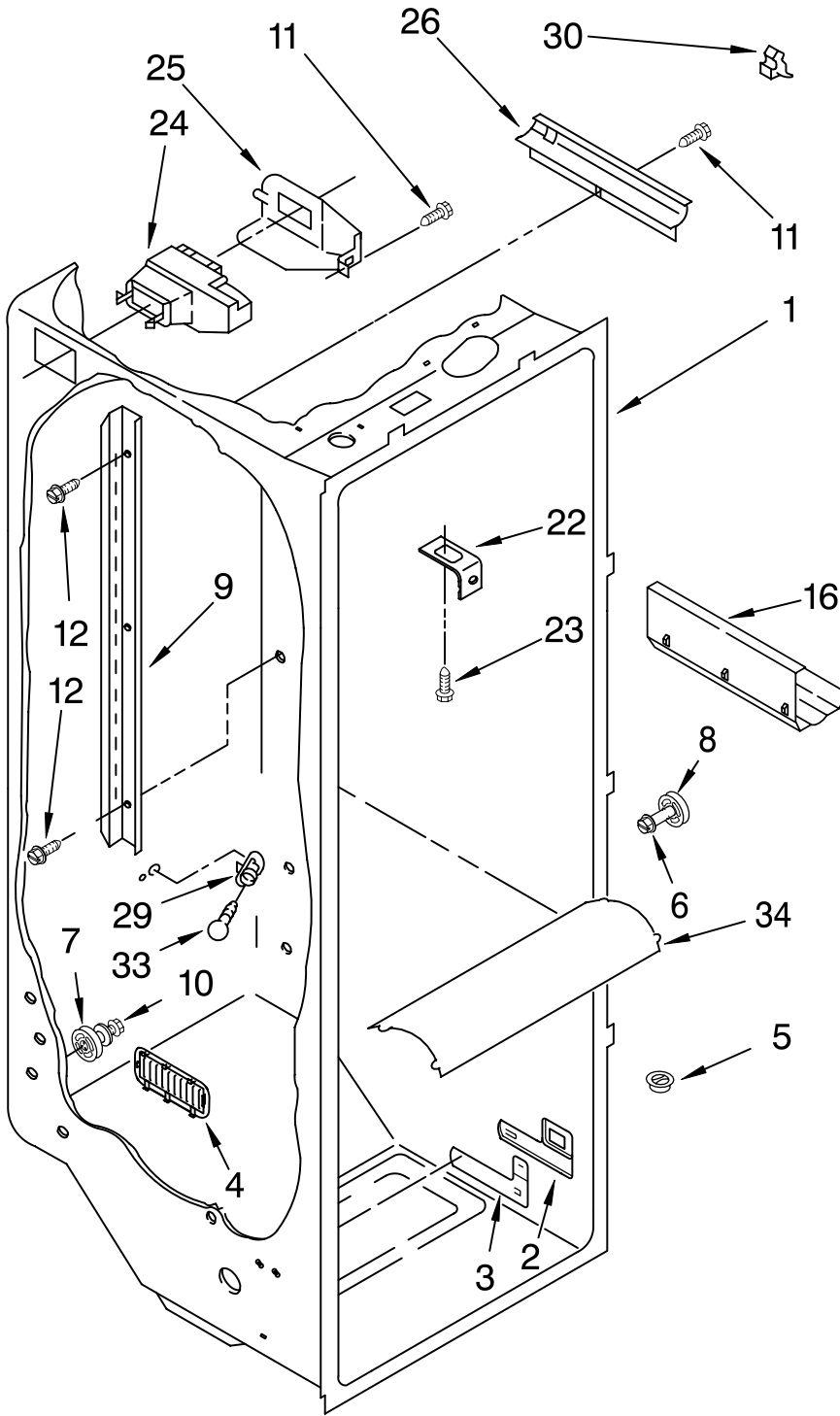
For Models: **KSRS25KGWH02**, **KSRS25KGBT02**, **KSRS25KGBL02**
 (White) (Biscuit) (Black)

Illus. No.	Part No.	DESCRIPTION
1		LITERATURE PARTS
	LIT2206106	Use & Care Guide
	LIT2186638	Service & Wiring Sheet
	LIT2206418	Energy Label
2	2174748	Front Roller (2)
3	3400517	Screw
4	2196236	Roller (Rear) (2)
5	489427	Screw
6	2155013	Clip, Grille
7	489478	Screw
8	2156056	Shim
9	2196048	Shim, Hinge Top
10	489284	Screw
11		Hinge Cover
	1129262	White
	2186858	Biscuit
	2151694	Black
12	2171851	Hinge Bottom (2)
13		Filler, Wrapper
	2196094	White
	2196150	Biscuit
	2196097	Black
14		Grille
	2198470W	White
	2198470T	Biscuit
	2198470B	Black
15	489497	Screw
16	2196046	Hinge, Top (2)
17	489464	Screw
18	940139	Drain Fitting
19	1108438	Tube, Extension
20	1108439	Clip, Drain Tube
21	2186995	Cover, Unit
22		Hinge Cover
	1119787	White
	2186857	Biscuit
	2155938	Black
23	549193	Clamp, Service Cord
24	489084	Screw
25	2155311	Door Closer, Lower Cam (2)
26	489483	Screw
27		Cabinet (Not A Serviceable Part)
28	489436	Screw, 8-18 X 1/2

FOR ORDERING INFORMATION REFER TO PARTS PRICE LIST

REFRIGERATOR LINER PARTS

For Models: KRSR25KGWH02, KRSR25KGBT02, KRSR25KGBL02
 (White) (Biscuit) (Black)

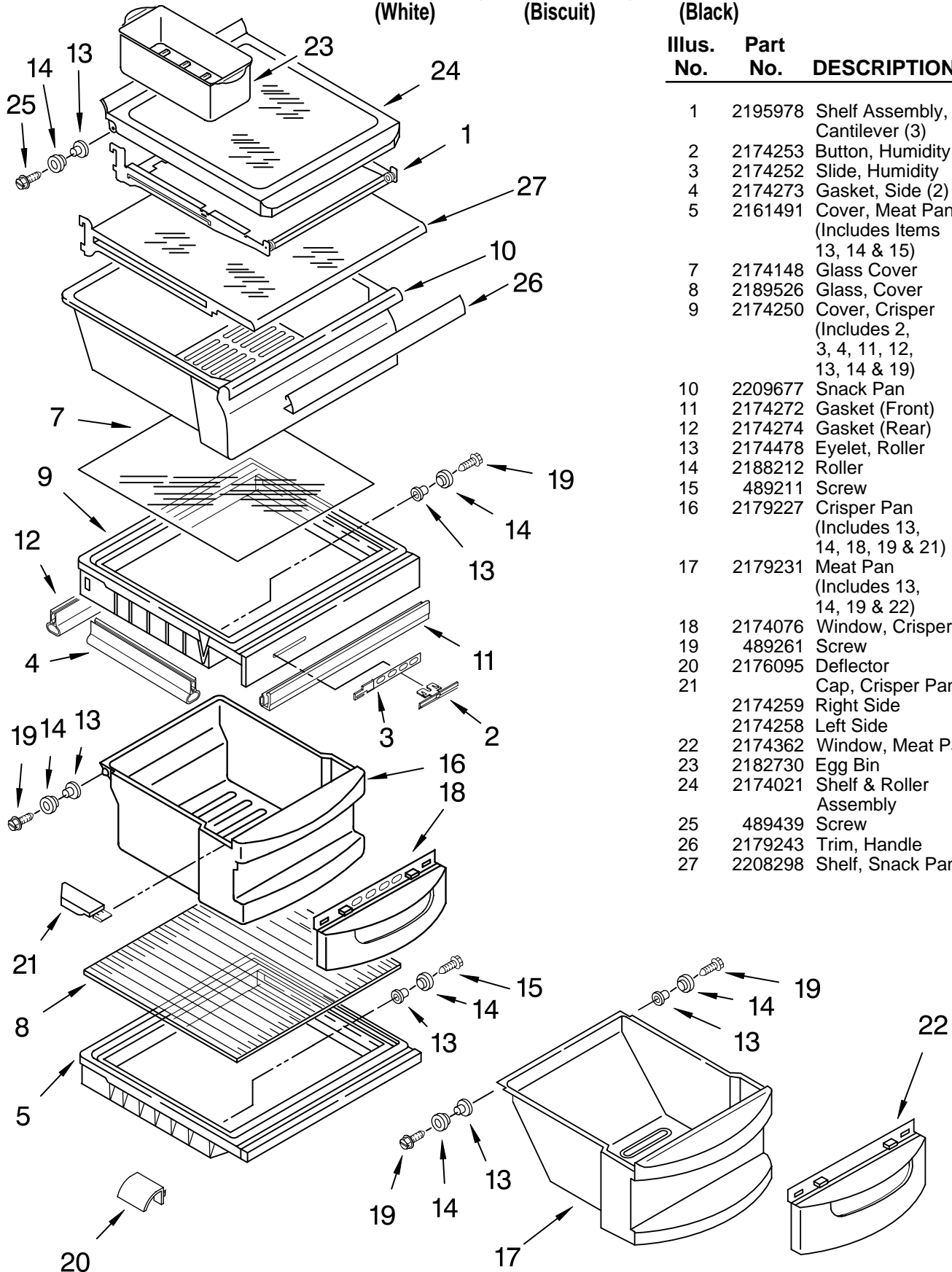


Illus. No.	Part No.	DESCRIPTION
1		Liner (Not A Serviceable Part)
2	2194744	Escutcheon, Meat Pan Control
3	2182757	Slide Meat Pan Control
4	2182147	Louver
5	2171846	Release Valve
6	8281158	Screw (2)
7	2196485	Stud Assy
8	2196483	Stud Assy
9	2181796	Ladder, Shelf (2)
10	3400894	Screw
11	486298	Screw (2)
12	487539	Screw
16	2179404	Rack, Wine & Egg
22	1123919	Bracket Retainer
23	489290	Screw (2)
24	2161467	Air Diffuser Assembly
25	2161470	Air Diffuser Cover
26	2150331	Cover, Conduit
29	2162085	Socket
30	842534	Clip, Air Duct
33	527949	Light Bulb
34	2203266	Light Lens

FOR ORDERING INFORMATION REFER TO PARTS PRICE LIST

REFRIGERATOR SHELF PARTS

For Models: KSRS25KGWH02, KSRS25KGBT02, KSRS25KGBL02
 (White) (Biscuit) (Black)

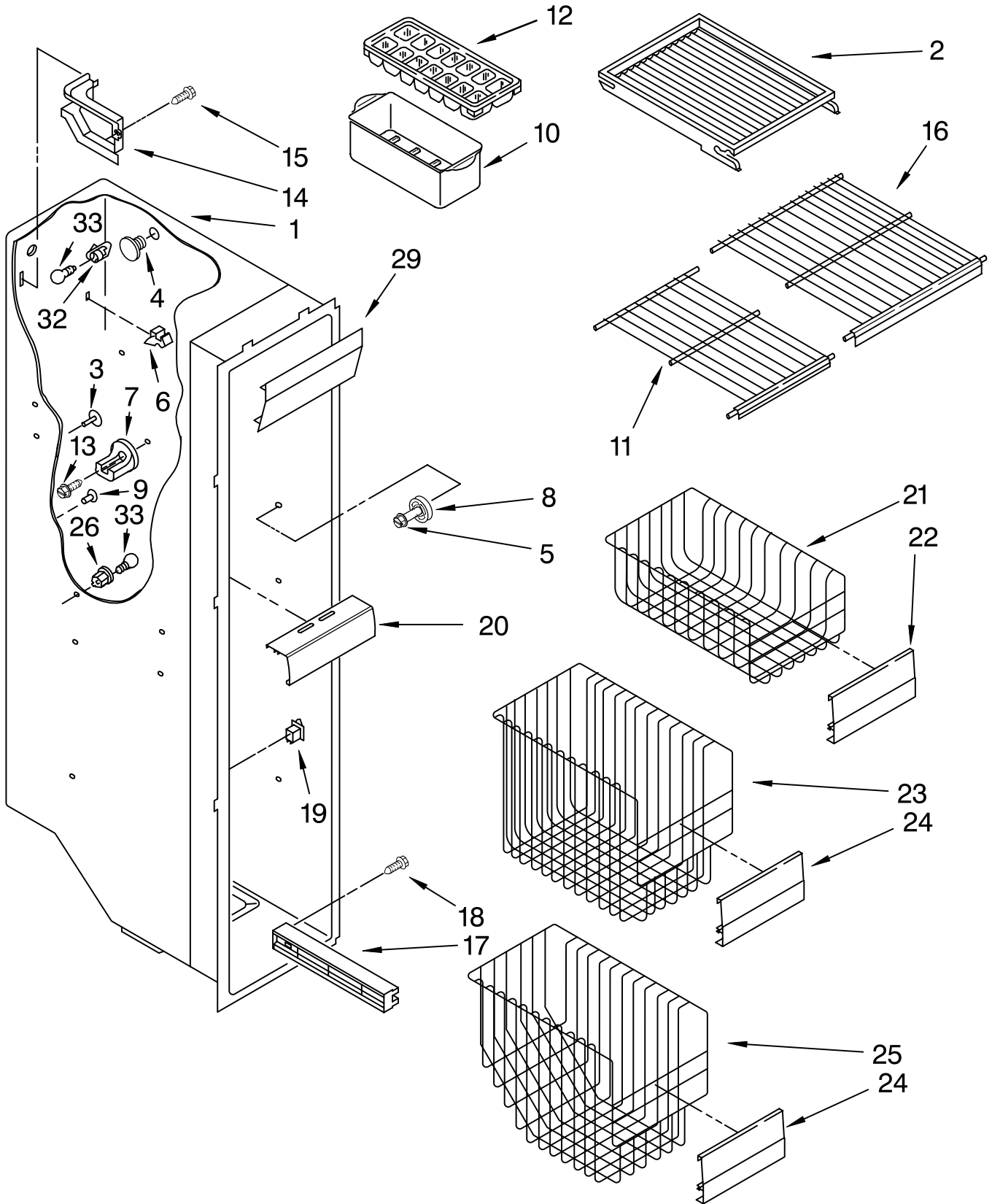


Illus. No.	Part No.	DESCRIPTION
1	2195978	Shelf Assembly, Cantilever (3)
2	2174253	Button, Humidity
3	2174252	Slide, Humidity
4	2174273	Gasket, Side (2)
5	2161491	Cover, Meat Pan (Includes Items 13, 14 & 15)
7	2174148	Glass Cover
8	2189526	Glass, Cover
9	2174250	Cover, Crisper (Includes 2, 3, 4, 11, 12, 13, 14 & 19)
10	2209677	Snack Pan
11	2174272	Gasket (Front)
12	2174274	Gasket (Rear)
13	2174478	Eyelet, Roller
14	2188212	Roller
15	489211	Screw
16	2179227	Crisper Pan (Includes 13, 14, 18, 19 & 21)
17	2179231	Meat Pan (Includes 13, 14, 19 & 22)
18	2174076	Window, Crisper
19	489261	Screw
20	2176095	Deflector
21	2174259	Cap, Crisper Pan Right Side
	2174258	Left Side
22	2174362	Window, Meat Pan
23	2182730	Egg Bin
24	2174021	Shelf & Roller Assembly
25	489439	Screw
26	2179243	Trim, Handle
27	2208298	Shelf, Snack Pan

FOR ORDERING INFORMATION REFER TO PARTS PRICE LIST

FREEZER LINER PARTS

For Models: KRSR25KGWH02, KRSR25KGBT02, KRSR25KGBL02
(White) (Biscuit) (Black)



FOR ORDERING INFORMATION REFER TO PARTS PRICE LIST

FREEZER LINER PARTS

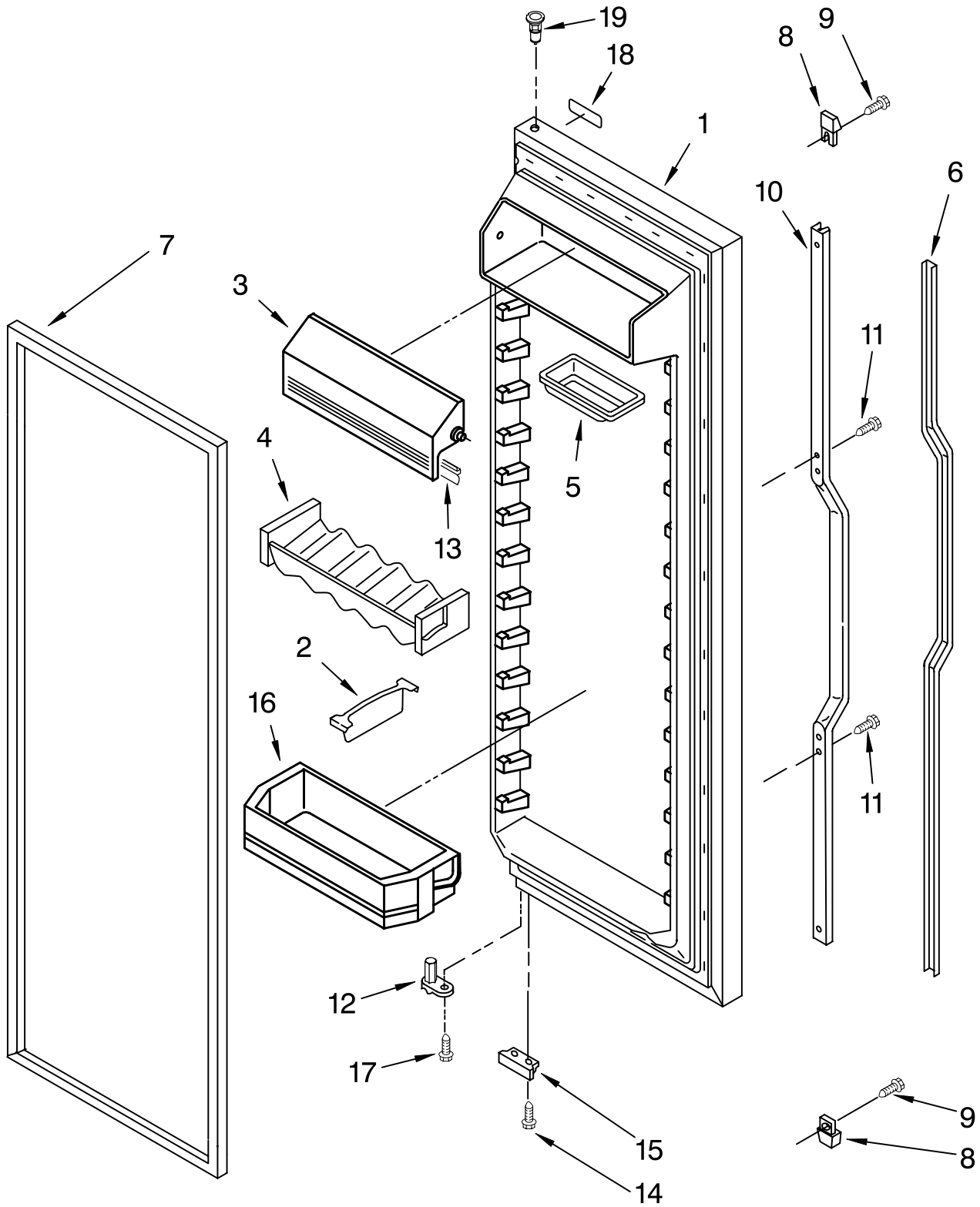
For Models: KSRS25KGWH02, KSRS25KGBT02, KSRS25KGBL02
 (White) (Biscuit) (Black)

Illus. No.	Part No.	DESCRIPTION
1		Liner (Not A Serviceable Part)
2	2174493	Shelf, Top Compartment
3	941839	Hole Plug
4	940014	Hole Plug
5	2196483	Stud Assy
6	842534	Clip, Air Duct (2)
7	2196207	Stud, Rear
8	8281158	Screw
9	2176134	Grommet (2)
10	2164333	Bin, Ice
11	2174267	Shelf
12	841180	Ice Tray (2)
13	3400893	Screw
14	2161915	Cover, Wiring
15	489355	Screw
16	2198478	Shelf
17		Shelf Track
	2181760	Right Side (3)
	2181759	Left Side (3)
18	489478	Screw
19	1118894	Switch, Rocker Arm
20	2198479	Light Lens
21	2181763	Basket, Shallow
22	2171767	Front, Basket
23	2181765	Basket, Square
24	2171766	Front, Basket
25	2181764	Basket, Sloped
26	2155597	Socket, Light
29	2171705	Light Lens
32	2162085	Socket, Light
33	527949	Bulb, Light

FOR ORDERING INFORMATION REFER TO PARTS PRICE LIST

REFRIGERATOR DOOR PARTS

For Models: KRSR25KGWH02, KRSR25KGBT02, KRSR25KGBL02
(White) (Biscuit) (Black)



FOR ORDERING INFORMATION REFER TO PARTS PRICE LIST

REFRIGERATOR DOOR PARTS

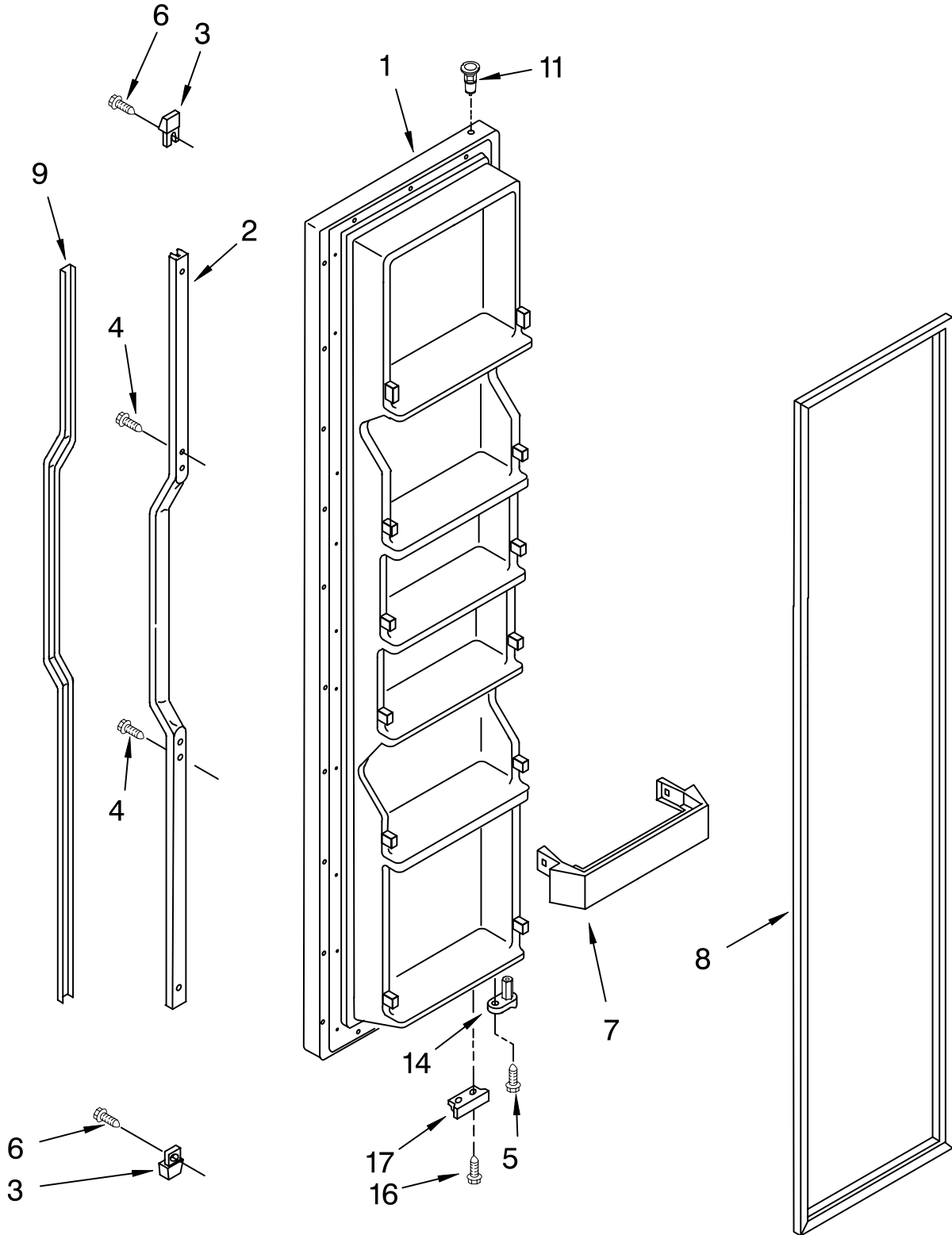
For Models: KRSR25KGWH02, KRSR25KGBT02, KRSR25KGBL02
 (White) (Biscuit) (Black)

Illus. No.	Part No.	DESCRIPTION
1		Refrigerator Door (Includes #7)
	2194233W	White
	2194233T	Biscuit
	2194233B	Black
2	2195497	Load, Lock
3	2182399	Door, Compartment
4	2193409	Holder, Beverage
5	2165792	Butter Dish
6		Insert, Handle
	2173825	White
	2186863T	Biscuit
	2173829	Black
7		Door Gasket, Magnetic (Service)
	2159075	Mist Beige
	2159083	Black
8		End Cap, Handle
	2194778W	White
	2194778T	Biscuit
	2194778B	Black
9	3400852	Screw
10		Retainer, Insert
	2194777W	White
	2194777T	Biscuit
	2194777B	Black
11	489463	Screw
12	2182178	Door Closer, Upper Cam
13	2159124	Gasket
14	489420	Screw
15		Bracket, Door Stop
	2195950	Chrome
	2195952	Black
16	2171063	Shelf Bin (4)
17	3400012	Screw
18		Nameplate
	2188149	White
	2200935	Biscuit
	2188151	Black
19	2182180	Thimble-Top

FOR ORDERING INFORMATION REFER TO PARTS PRICE LIST

FREEZER DOOR PARTS

For Models: KRSR25KGWH02, KRSR25KGBT02, KRSR25KGBL02
(White) (Biscuit) (Black)



FOR ORDERING INFORMATION REFER TO PARTS PRICE LIST

FREEZER DOOR PARTS

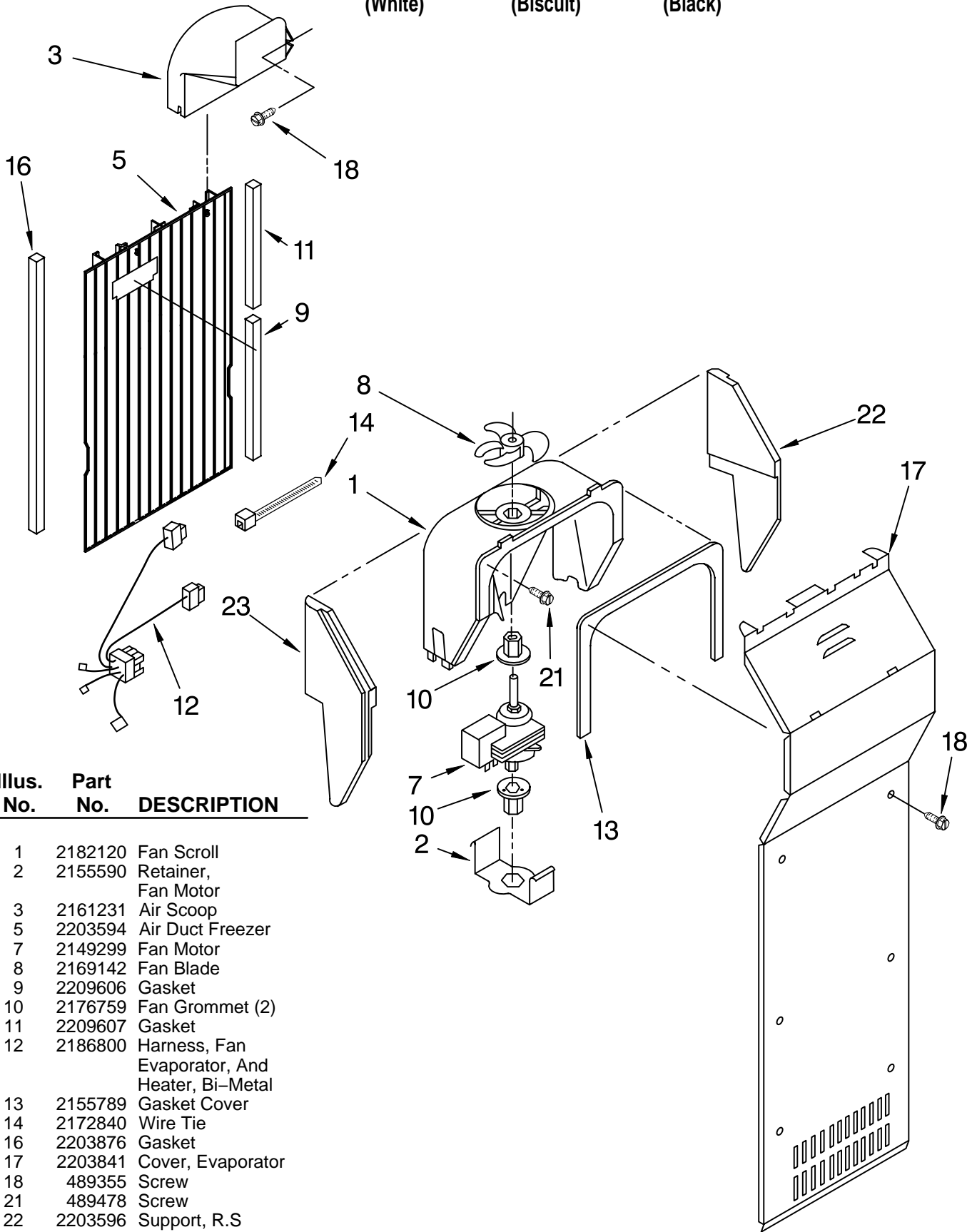
For Models: KRSR25KGWH02, KRSR25KGBT02, KRSR25KGBL02
 (White) (Biscuit) (Black)

Illus. No.	Part No.	DESCRIPTION
1		Freezer Door (Includes #8 And Dispenser Front Parts)
	2186422W	White
	2186422T	Biscuit
	2186422B	Black
2		Retainer, Insert
	2194777W	White
	2194777T	Biscuit
	2194777B	Black
3		End Cap (2)
	2194778W	White
	2194778T	Biscuit
	2194778B	Black
4	489463	Screw
5	3400012	Screw
6	3400852	Screw
7	2171070	Shelf Bin (4)
8		Door Gasket, Magnetic (Service)
	2159074	Mist Beige
	2159082	Black
9		Insert, Handle
	2173825	White
	2186863T	Biscuit
	2173829	Black
11	2182180	Thimble-Top
14	2182178	Door Closer, Upper Cam
16	489420	Screw
17		Bracket, Door Stop
	2195950	Chrome
	2195952	Black

FOR ORDERING INFORMATION REFER TO PARTS PRICE LIST

AIR FLOW PARTS

For Models: KRSR25KGWH02, KRSR25KGBT02, KRSR25KGBL02
 (White) (Biscuit) (Black)

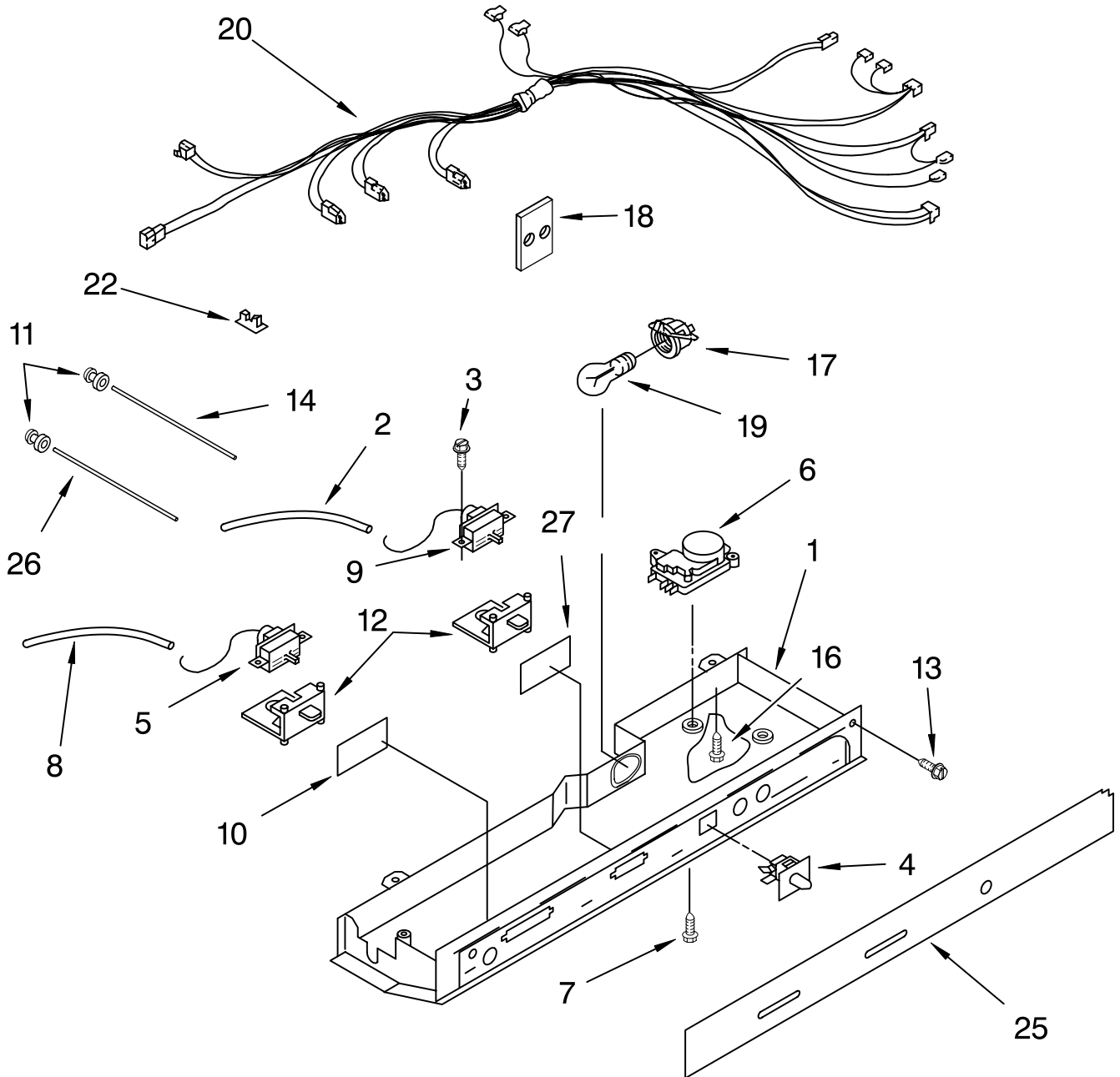


Illus. No.	Part No.	DESCRIPTION
1	2182120	Fan Scroll
2	2155590	Retainer, Fan Motor
3	2161231	Air Scoop
5	2203594	Air Duct Freezer
7	2149299	Fan Motor
8	2169142	Fan Blade
9	2209606	Gasket
10	2176759	Fan Grommet (2)
11	2209607	Gasket
12	2186800	Harness, Fan Evaporator, And Heater, Bi-Metal
13	2155789	Gasket Cover
14	2172840	Wire Tie
16	2203876	Gasket
17	2203841	Cover, Evaporator
18	489355	Screw
21	489478	Screw
22	2203596	Support, R.S
23	2203595	Support, L.S

FOR ORDERING INFORMATION REFER TO PARTS PRICE LIST

CONTROL PARTS

For Models: KRSR25KGWH02, KRSR25KGBT02, KRSR25KGBL02
(White) (Biscuit) (Black)



Illus. No.	Part No.	DESCRIPTION
1	2200135	Control Box
2	2182150	Tube Barrier, Thermostat (RC)
3	489214	Screw (3)
4	2149705	Light Switch
5	2161461	Thermostat (FC)
6	2162046	Defrost Timer
7	489398	Screw (2)
8	2196003	Tube Barrier, Thermostat (FC)

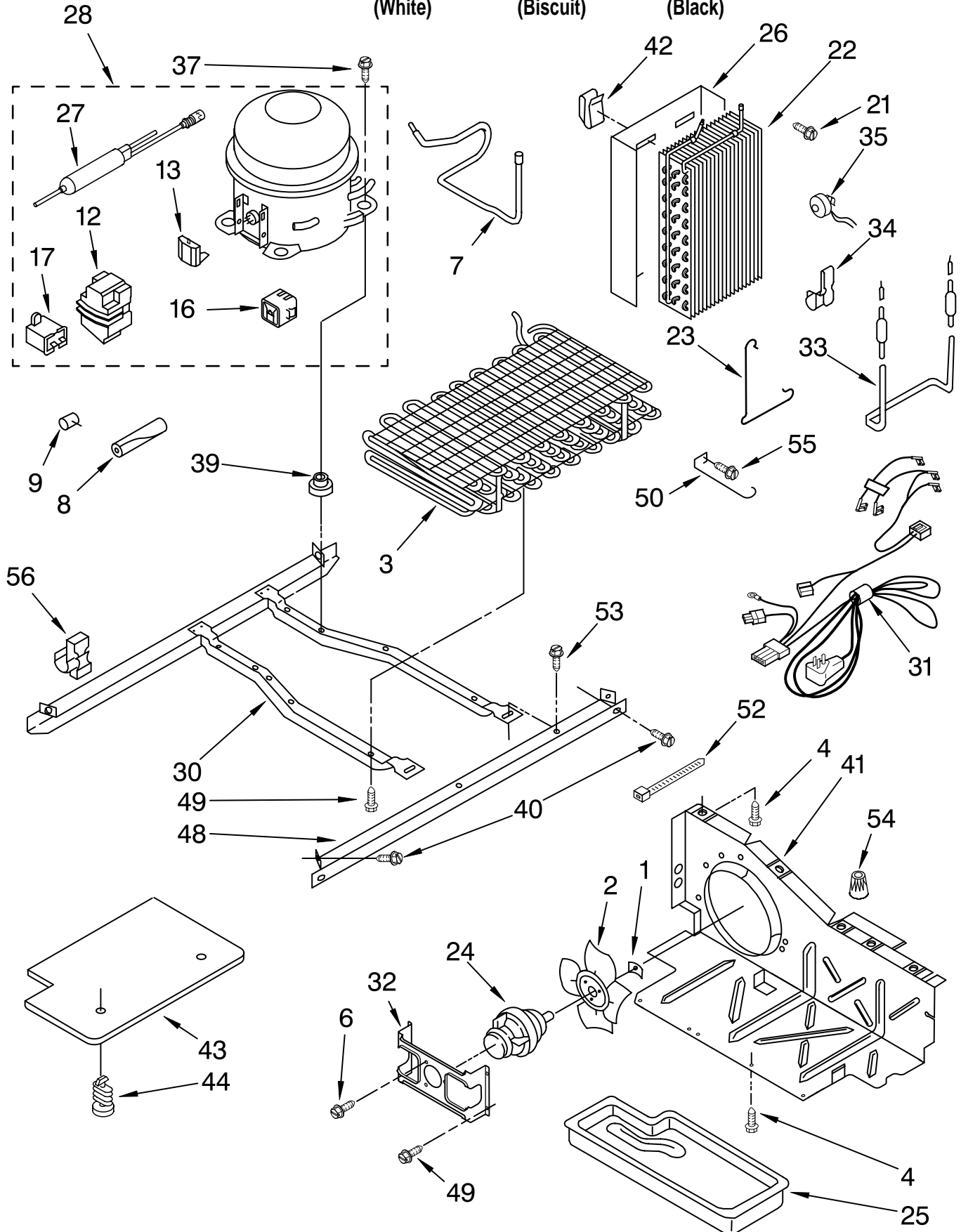
Illus. No.	Part No.	DESCRIPTION
9	2161460	Thermostat (R.C.)
10	2172940	Window
11	2172906	Grommet, Light Bar
12	2161466	Slide, Thermostat
13	489084	Screw (2)
14	2179920	Light Bar (RC)
16	489290	Screw (2)
17	2162085	Light Socket
18	2172931	Heat Shield

Illus. No.	Part No.	DESCRIPTION
19	527949	Light Bulb
20	2186813	Control Box Harness
22	1115375	Clip, Wiring
25	2161486	Escutcheon, Control Box
26	2179921	Light Bar (FC)
27	2172941	Window

FOR ORDERING INFORMATION REFER TO PARTS PRICE LIST

UNIT PARTS

For Models: KRSR25KGWH02, KRSR25KGBT02, KRSR25KGBL02
 (White) (Biscuit) (Black)



FOR ORDERING INFORMATION REFER TO PARTS PRICE LIST

UNIT PARTS

For Models: **KSRS25KGWH02, KSRS25KGBT02, KSRS25KGBL02**
 (White) (Biscuit) (Black)

Illus. No.	Part No.	DESCRIPTION
1	486692	Speed Nut
2	2190685	Fan, Blade
3	2204242B	Condenser Assembly
4	489464	Screw
6	489099	Screw
7	2204239	Tube, Suction
8	2161302	Sleeve
9	2158826	Dampener
12	4387731	Cover
13	4387835	Overload (Service) (Includes Relay)
16	2204413	Start-Device Combination (Start Relay and Overload for Production Compressor Only)
17	4387764	Capacitor (Service)
21	489478	Screw
22	2209611	Evaporator
23	2161324	Clamp
24	2176336	Fan, Motor
25	1110674	Tray, Evaporator
26	2149294	Heat Shield

Illus. No.	Part No.	DESCRIPTION
27	2199167	Drier
28	2183455	Compressor (Includes Items 12, 13, 16, 17, 27) (Also Order 876765 Tube Kit)
30	2157396	Unit Mounting Frame
31	2188339	Unit, Harness
32	2181929	Fan, Motor Bracket
33	2188175	Heater, Defrost
34	2161330	Clip
35	2196155	Bi-Metal, Defrost
37	489387	Screw
39	2183042	Grommet (4)
40	489340	Screw
41	2196202	Air Baffle
42	2155547	Clip, Heat Shield
43	2206281	Unit Cover, Bottom
44	489396	Clip
48	1127906	Unit Mounting Rail
49	488624	Screw
50	1110663	Guard, Fan
52	2172840	Strap
53	489427	Screw

Illus. No.	Part No.	DESCRIPTION
54	227991	Wire Connector
55	488649	Screw
56	2208280	Clip, Wire & Tube

Following Parts Not Illustrated and Optional Parts Not Included

978025	Valve, Access (1/4")
978026	Valve, Access (5/16")
978027	Valve, Access (3/8")
978028	Valve, Access (1/2")
978029	Valve, Access (5/8")
978030	Valve, Access (3/4")
876764	Valve, Access (3/16")

REFRIGERANT CHARGE

5.75 oz.
(R-134A)



FOR ORDERING INFORMATION REFER TO PARTS PRICE LIST

PARTS NOT ILLUSTRATED

For Models: KRSR25KGWH02, KRSR25KGBT02, KRSR25KGBL02
 (White) (Biscuit) (Black)

Illus. No.	Part No.	DESCRIPTION
------------	----------	-------------

Parts Not Illustrated and
Optional Parts (Not Included)

Customer Touch-Up Material

- *350942 Primer, White (13 Oz. Spray Can)
- *350939 Enamel, Black (13 Oz. Spray Can)
- *350930 Enamel, White (13 Oz. Spray Can)
- *350956 Enamel, Almond (13 Oz. Spray Can)
- *4392901 Enamel, Biscuit (13 Oz. Spray Can)
- 72017 Brush Touch-Up Kit (White)
- 72107 Brush Touch-Up Kit (Almond)
- 72032 Brush Touch-up kit (Black)
- 4392899 Brush Touch-Up Kit (Biscuit)

* **CAUTION:** The spray paint is not to be used where the paint may make contact with the door gaskets.

Illus. No.	Part No.	DESCRIPTION
------------	----------	-------------

Miscellaneous

- 212643 Sealer, Gum (4 Feet)
- 479502 Tape, Vinyl (3/4 x 108")
- 876370 Kit, Insulation (2 Pcs. x 3" x 24" x 48")
- 876305 Kit, Insulation (14 Pcs. x 3" x 24" x 48")
- 978941 Insulation, Fiberglass (63-1/2" x 35-1/2" X 2-5/8)
- 876029 Kit, Foam Slab (30" x 32-1/2" x 1-1/2")
- 505587 Sealer, Mastic (1 Qt.)
- 503695 Cork, Sealer (1/4 Pound)
- 511873 Touch-Up, White Porcelain (2 Oz.)
- 542638 Grease, Silicone (1/2 Oz.)
- 542639 Cement, Alumilastic (1-1/4 Oz.)
- 606755 Bag, Insulation (36-5/8" x 46")
- 799833 Kit, Evaporator Repair (Aluminum Epoxy)
- 833938 Kit, Terminal Connector

Illus. No.	Part No.	DESCRIPTION
------------	----------	-------------

Refinishing Material

- 799340 Enamel, Black (1 Qt. Uncut)
- 799344 Enamel, White (1 Qt. Uncut)
- 978883 Enamel, Almond (1 Qt. Uncut)
- 4392900 Enamel, Biscuit (1 Qt. Uncut)

**ICE MAKER
FIELD INSTALLABLE**

- 2155468 KIMS9

TORX SCREW WRENCH

- 1117510 Torx Key

FOR ORDERING INFORMATION REFER TO PARTS PRICE LIST