

FOR ORDERING INFORMATION REFER TO PARTS PRICE LIST

CABINET PARTS

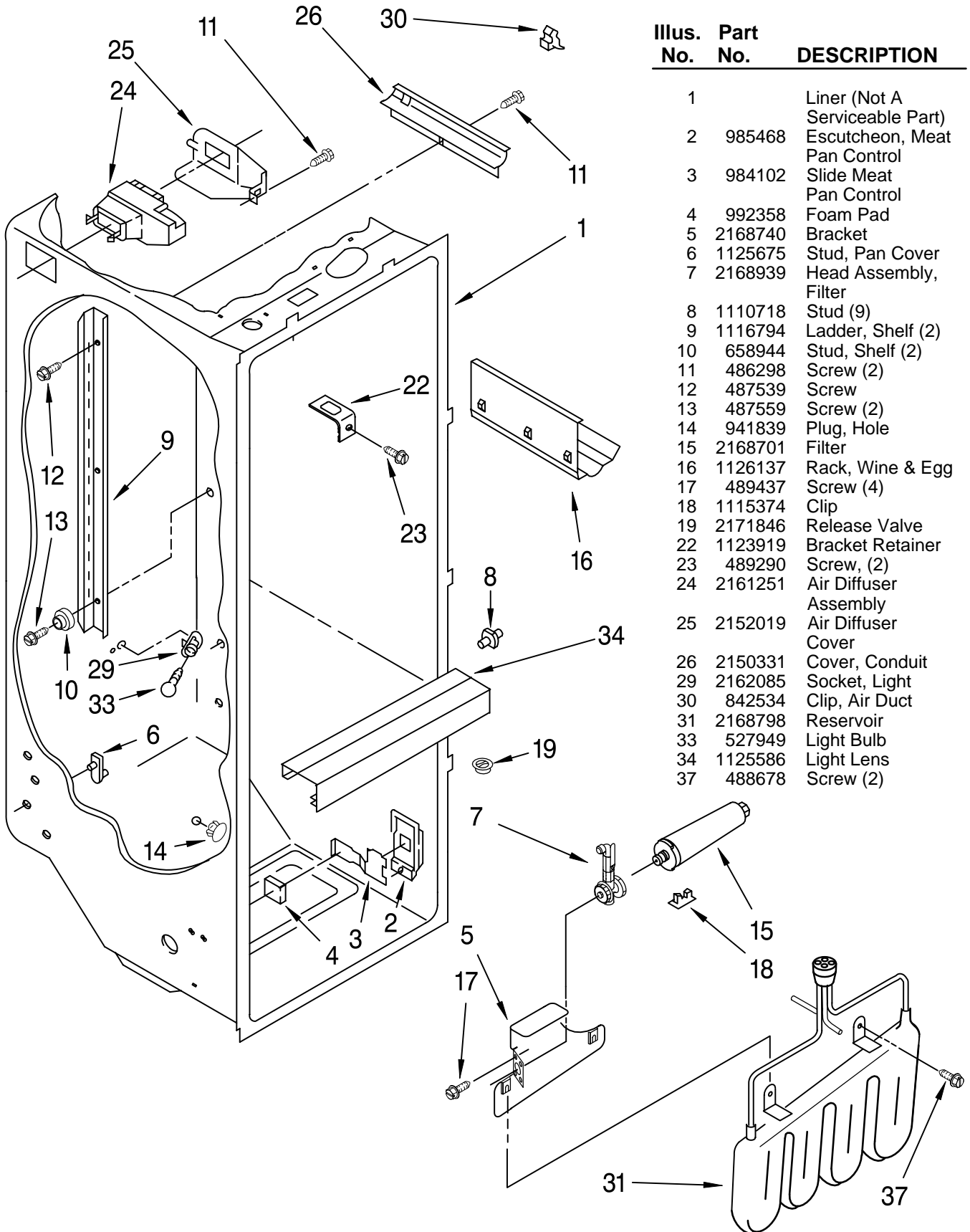
For Models: KRSR25FBWH01, KRSR25FBAL01
(White) (Almond)

| Illus. No. | Part No. | DESCRIPTION |
|---------------|-------------|----------------------------------|
| 1 | | Cabinet (Not A Serviceable Part) |
| 2 | 2174748 | Front Roller (2) |
| 3 | 489432 | Screw |
| 4 | 981122 | Roller (Rear) (2) |
| 5 | 489427 | Screw |
| 6 | 2155013 | Clip, Grille |
| 7 | 489242 | Screw |
| 9 | 2156056 | Shim |
| 12 | 2171917 | Hinge Top (R.H.) |
| 13 | 2171868 | Shim, Hinge Top |
| 14 | 489284 | Screw |
| 15 | | Hinge Cover |
| | 1129262 | White |
| | 2150343 | Almond |
| 16 | 2171851 | Hinge Bottom (2) |
| 20 | 1129868 | Spacer, Hinge |
| 21 | | Filler, Wrapper |
| | 1110708 | White |
| | 1110709 | Almond |
| 22 | | Grille |
| | 2155486 | White |
| | 2155487 | Almond |
| 23 | 489367 | Screw |
| 30 | 2171865 | Hinge, Top (L.H.) |
| 31 | 2147310 | Tap Plate (2) |
| 35 | 489337 | Screw |
| 40 | 937360 | Service Cord |
| 41 | 940139 | Drain Fitting |
| 42 | 1108438 | Tube, Extension |
| 43 | 1108439 | Clip, Drain Tube |
| 47 | 2176140 | Cover, Unit |
| 49 | | Hinge Cover |
| | 1119787 | White |
| | 1119789 | Almond |
| 50 | 489366 | Washer |
| 52 | 549193 | Clamp, Service Cord |
| 53 | 489084 | Screw |
| 54 | 2155311 | Door Closer, Lower Cam |
| 55 | 489420 | Screw |

FOR ORDERING INFORMATION REFER TO PARTS PRICE LIST

REFRIGERATOR LINER PARTS

For Models: KRSR25FBWH01, KRSR25FBAL01
(White) (Almond)

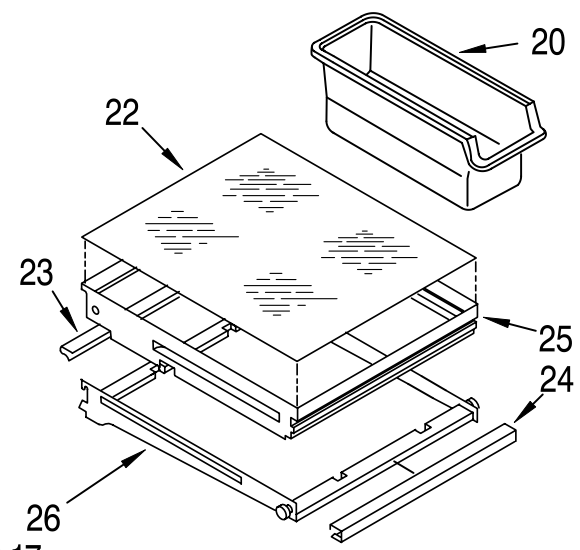
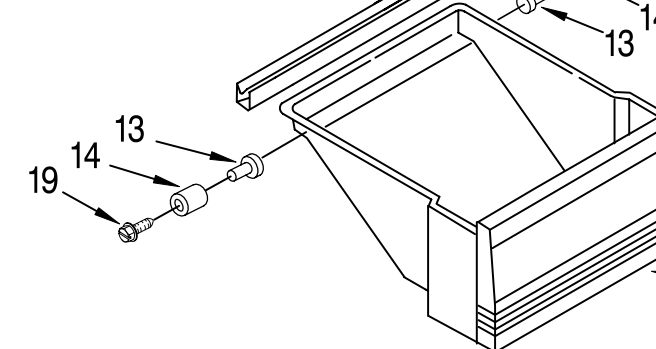
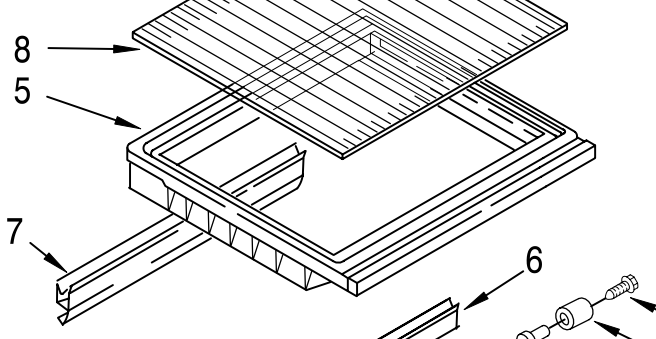
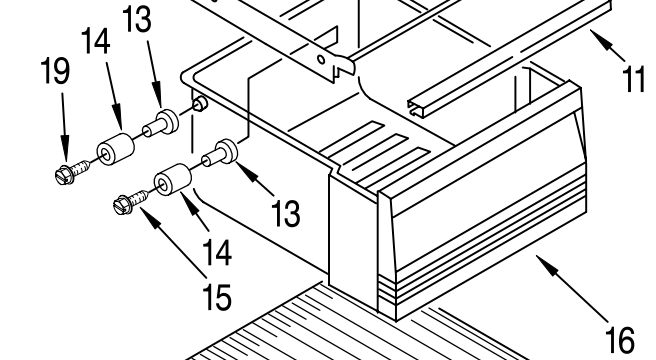
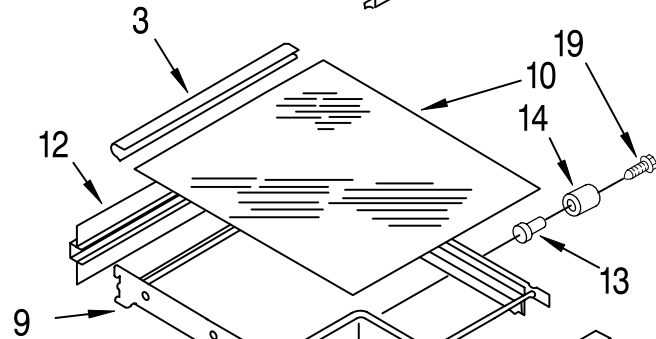
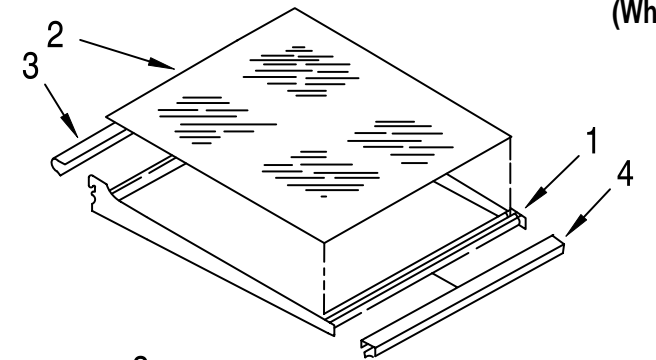


| Illus. No. | Part No. | DESCRIPTION |
|------------|----------|--------------------------------|
| 1 | | Liner (Not A Serviceable Part) |
| 2 | 985468 | Escutcheon, Meat Pan Control |
| 3 | 984102 | Slide Meat Pan Control |
| 4 | 992358 | Foam Pad |
| 5 | 2168740 | Bracket |
| 6 | 1125675 | Stud, Pan Cover |
| 7 | 2168939 | Head Assembly, Filter |
| 8 | 1110718 | Stud (9) |
| 9 | 1116794 | Ladder, Shelf (2) |
| 10 | 658944 | Stud, Shelf (2) |
| 11 | 486298 | Screw (2) |
| 12 | 487539 | Screw |
| 13 | 487559 | Screw (2) |
| 14 | 941839 | Plug, Hole |
| 15 | 2168701 | Filter |
| 16 | 1126137 | Rack, Wine & Egg |
| 17 | 489437 | Screw (4) |
| 18 | 1115374 | Clip |
| 19 | 2171846 | Release Valve |
| 22 | 1123919 | Bracket Retainer |
| 23 | 489290 | Screw, (2) |
| 24 | 2161251 | Air Diffuser Assembly |
| 25 | 2152019 | Air Diffuser Cover |
| 26 | 2150331 | Cover, Conduit |
| 29 | 2162085 | Socket, Light |
| 30 | 842534 | Clip, Air Duct |
| 31 | 2168798 | Reservoir |
| 33 | 527949 | Light Bulb |
| 34 | 1125586 | Light Lens |
| 37 | 488678 | Screw (2) |

FOR ORDERING INFORMATION REFER TO PARTS PRICE LIST

REFRIGERATOR SHELF PARTS

For Models: KRSR25FBWH01, KRSR25FBAL01
(White) (Almond)

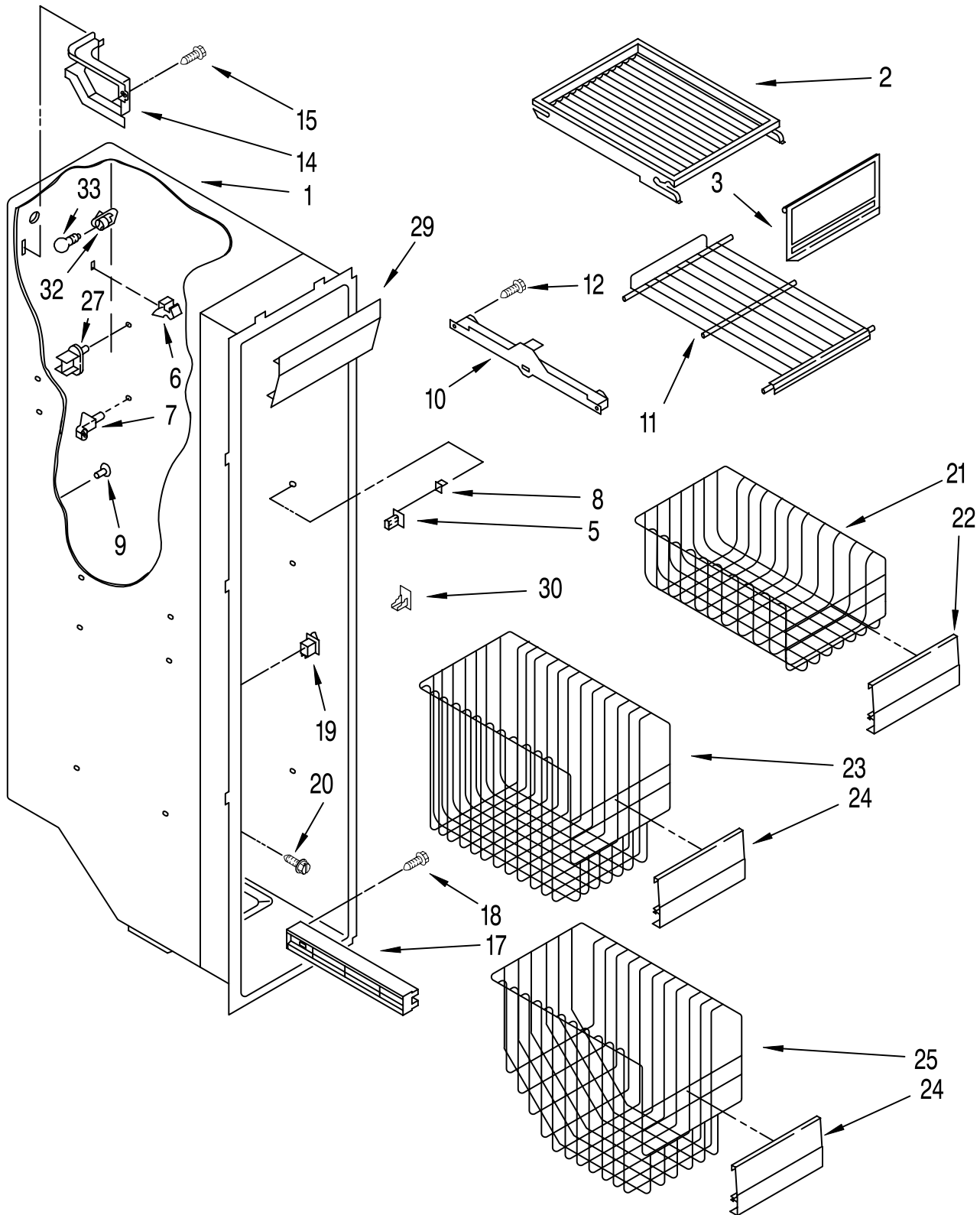


| Illus. No. | Part No. | DESCRIPTION |
|------------|----------|--|
| 1 | 1125597 | Shelf Assembly, Cantilever (2) |
| 2 | 1125593 | Glass, Shelf |
| 3 | 1125594 | Retainer, Glass |
| 4 | 1125786 | Gasket, Front |
| 5 | 2161771 | Cover, Pan Assembly (2) |
| 6 | 1125705 | Gasket, Cover (Front) |
| 7 | 1125706 | Gasket, Cover (Rear) |
| 8 | 1125822 | Glass, Cover (2) |
| 9 | 2161760 | Pan Shelf & Slide Assembly (Includes 13, 14, & 15) |
| 10 | 1125595 | Glass, Shelf |
| 11 | 1125814 | Gasket (Front) |
| 12 | 1125817 | Gasket (Rear) |
| 13 | 1112308 | Eyelet, Roller |
| 14 | 2161749 | Roller |
| 15 | 489212 | Screw |
| 16 | 2161893 | Crisper Pan (2) (Includes 13, 14 & 19) |
| 17 | 2161892 | Utility Pan |
| 19 | 489261 | Screw |
| 20 | 1116917 | Container |
| 22 | 2161683 | Glass, Shelf |
| 23 | 2161809 | Reflector |
| 24 | 2161686 | Gasket, Front |
| 25 | 2161706 | Frame And Roller |
| 26 | 2161806 | Frame And Roller Assembly (Cantilever) |

FOR ORDERING INFORMATION REFER TO PARTS PRICE LIST

FREEZER LINER PARTS

For Models: KRSR25FBWH01, KRSR25FBAL01
(White) (Almond)



FOR ORDERING INFORMATION REFER TO PARTS PRICE LIST

FREEZER LINER PARTS

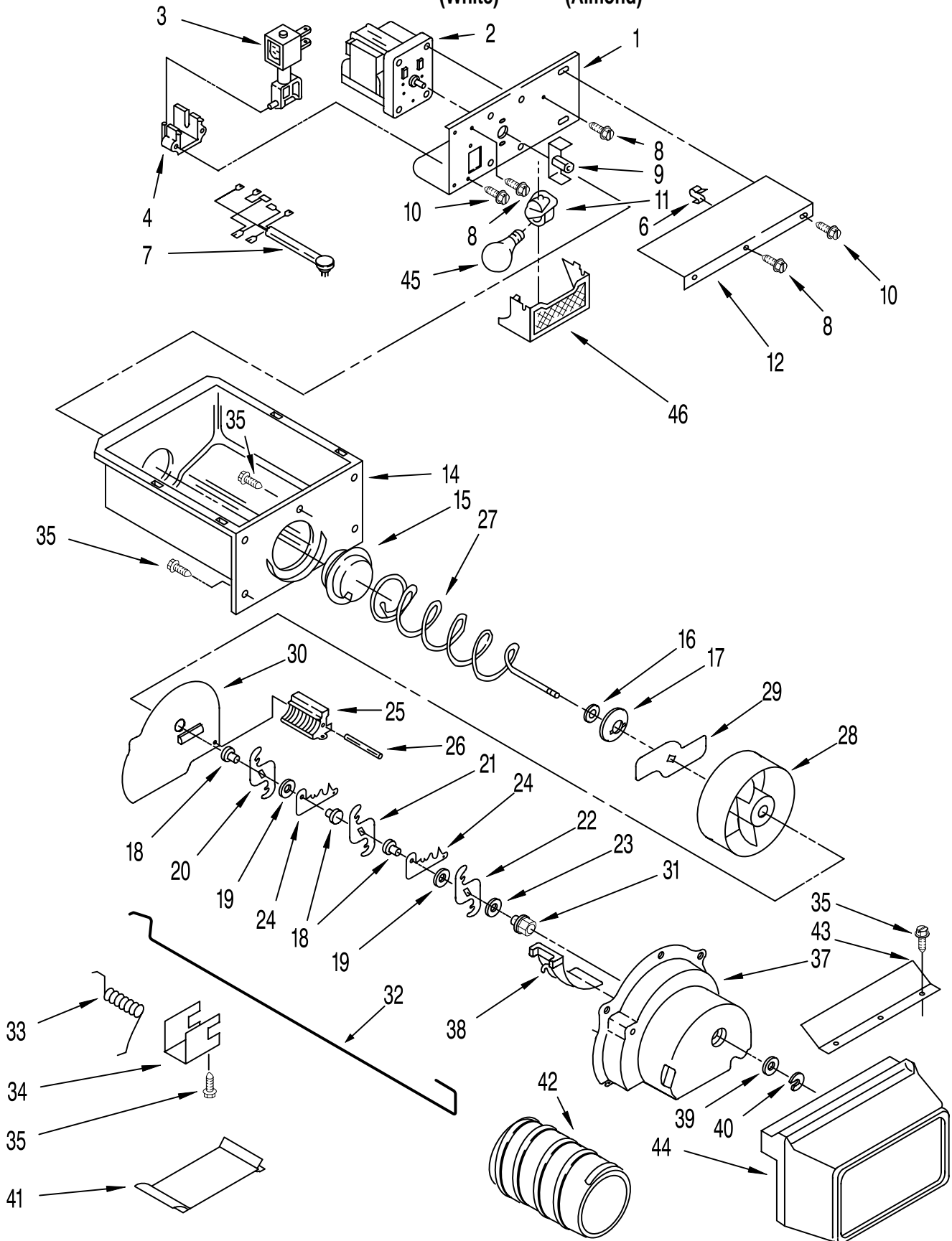
For Models: KRSR25FBWH01, KRSR25FBAL01
(White) (Almond)

| Illus. No. | Part No. | DESCRIPTION |
|------------|----------|--------------------------------|
| 1 | | Liner (Not A Serviceable Part) |
| 2 | 1125824 | Shelf, Top Compartment |
| 3 | 1125657 | Door, Ice Compartment |
| 5 | 946356 | Stud, R.S. Front |
| 6 | 842534 | Clip, Air Duct (2) |
| 7 | 1115317 | Support, Stud (4) |
| 8 | 946355 | Support, Stud (2) |
| 9 | 1110779 | Grommet (2) |
| 10 | | Slide, Container |
| | 1119237 | Left Side |
| | 1119293 | Right Side |
| 11 | 2155683 | Shelf |
| 12 | 489100 | Screw (4) |
| 14 | 2155572 | Cover, Wiring |
| 15 | 489176 | Screw |
| 17 | | Shelf Track |
| | 1126354 | Right Side (3) |
| | 1126355 | Left Side (3) |
| 18 | 487042 | Screw |
| 19 | 1115373 | Switch, Rocker Arm |
| 20 | 489242 | Screw |
| 21 | 2155685 | Basket, Middle |
| 22 | 1125770 | Front, Basket |
| 23 | 2152093 | Basket, Upper |
| 24 | 1125612 | Front, Basket |
| 25 | 2152102 | Basket, Lower |
| 27 | 1115386 | Stud, Shelf (4) Compartment |
| 29 | 1115389 | Light Lens |
| 30 | 1106982 | Stud, R.S. Rear |
| 32 | 2162085 | Socket, Light |
| 33 | 527949 | Bulb, Light |

MOTOR AND ICE CONTAINER PARTS

For Models: KRSR25FBWH01, KRSR25FBAL01

(White) (Almond)



FOR ORDERING INFORMATION REFER TO PARTS PRICE LIST

MOTOR AND ICE CONTAINER PARTS

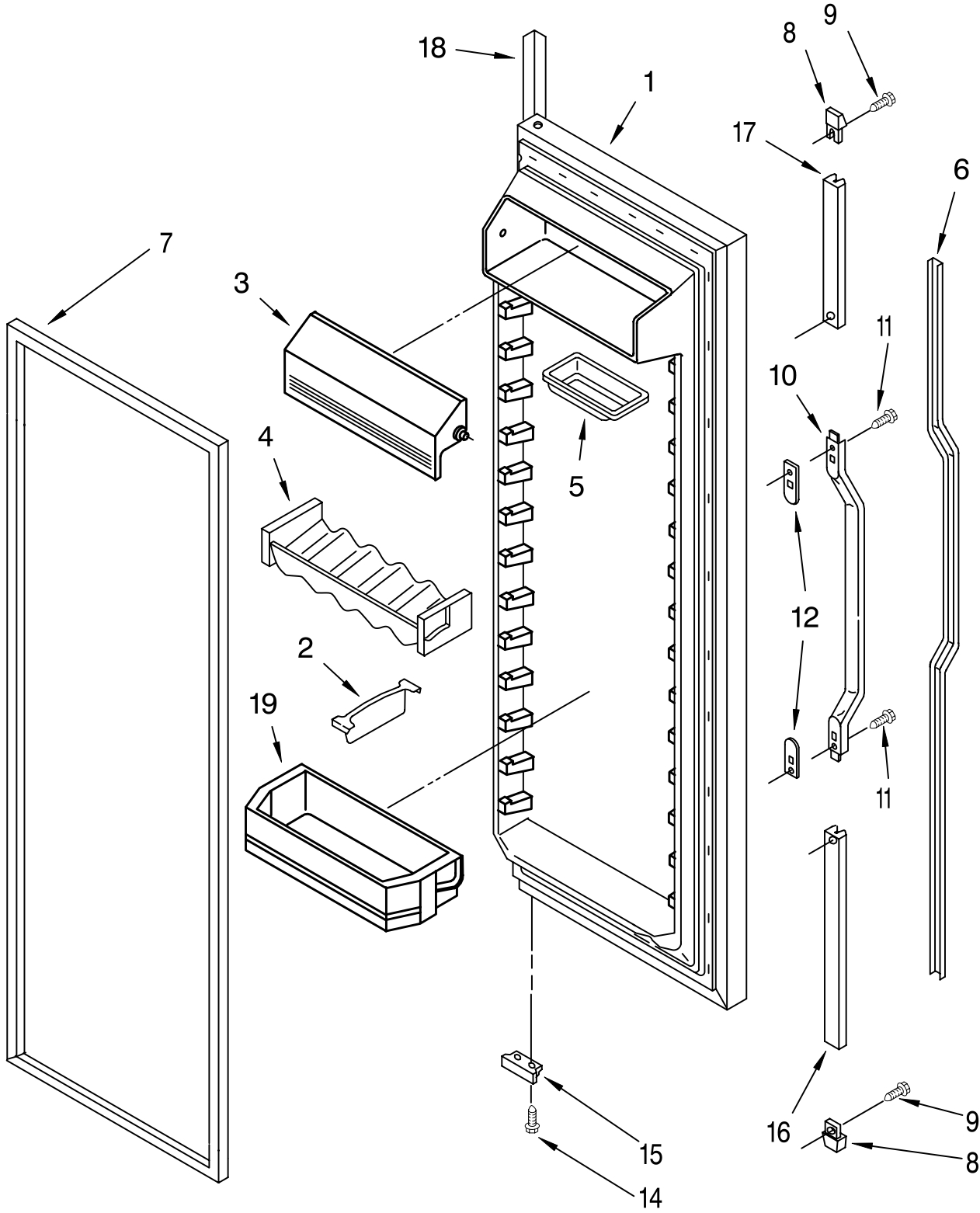
For Models: KRSR25FBWH01, KRSR25FBAL01
(White) (Almond)

| Illus. No. | Part No. | DESCRIPTION |
|-------------------|-----------------|-----------------------------------|
| 1 | 1118386 | Bracket, Motor |
| 2 | 2155263 | Motor, Dispenser |
| 3 | 2152713 | Solenoid Assembly |
| 4 | 2149100 | Guide, Solenoid |
| 6 | 1115374 | Clip, Wiring |
| 7 | 2169490 | Wiring Assembly, Ice Dispenser |
| 8 | 489399 | Screw |
| 9 | 983663 | Coupling, Motor |
| 10 | 489242 | Screw |
| 11 | 2162085 | Socket, Light |
| 12 | 1115339 | Cover, Motor |
| 14 | 2152702 | Ice Container |
| 15 | 983668 | Coupling, Conveyor |
| 16 | 1118480 | Stop, Cone |
| 17 | 1119074 | Feeder Cone |
| 18 | 1119005 | Spacer, Step (3) |
| 19 | 1119007 | Spacer, Flat (2) |
| 20 | 1119006 | Blade, Rotary |
| 21 | 1119012 | Blade, Rotary |
| 22 | 1119013 | Blade, Rotary |
| 23 | 489235 | Washer, Plain |
| 24 | 1119009 | Blade, Fixed (2) |
| 25 | 2157405 | Block, Blade |
| 26 | 489229 | Roll Pin |
| 27 | 1119003 | Conveyor |
| 28 | 2171681 | Drum |
| 29 | 1118470 | Drive Bar |
| 30 | 2171682 | Floating Baffle |
| 31 | 1119018 | Nut, Bearing |
| 32 | 2155231 | Control Arm |
| 33 | 1119020 | Spring, Return |
| 34 | 1119021 | Retainer Clip, Rod |
| 35 | 488886 | Screw |
| 37 | 2157407 | Housing, Crusher |
| 38 | 1119017 | Deflector, Ice |
| 39 | 489234 | Washer, Plain |
| 40 | 489236 | Retainer Ring |
| 41 | 2152700 | Housing, Filler |
| 42 | 2152021 | Sleeve-Auger |
| 43 | 1119043 | Ice Deflector |
| 44 | 1126036 | Front Cover, Ice Container |
| 45 | 527949 | Light Bulb |
| 46 | 983359 | Light Lens, Dispenser |

FOR ORDERING INFORMATION REFER TO PARTS PRICE LIST

REFRIGERATOR DOOR PARTS

For Models: KRSR25FBWH01, KRSR25FBAL01
(White) (Almond)



FOR ORDERING INFORMATION REFER TO PARTS PRICE LIST

REFRIGERATOR DOOR PARTS

For Models: KRSR25FBWH01, KRSR25FBAL01
(White) (Almond)

| Illus. No. | Part No. | DESCRIPTION |
|------------|----------|------------------------------------|
| 1 | | Refrigerator Door (Includes #7) |
| | 2159404 | White |
| | 2159405 | Almond |
| 2 | 1117999 | Load, Lock (4) |
| 3 | 2159136 | Door, Compartment |
| 4 | 1125981 | Holder, Beverage |
| 5 | 1125936 | Butter Dish |
| 6 | | Insert, Handle |
| | 1117948 | White |
| | 1117949 | Almond |
| 7 | 2159079 | Door Gasket, Magnetic (Service) |
| 8 | 1107341 | End Cap, Handle |
| 9 | 489075 | Screw |
| 10 | 1107215 | Handle Assembly |
| 11 | 487909 | Screw |
| 12 | 1107651 | Spacer, Handle |
| 14 | 489367 | Screw |
| 15 | 2155332 | Bracket, Door Stop |
| 16 | 1117952 | Retainer, Insert (Bottom) |
| 17 | 1107243 | Retainer, Insert |
| 18 | 1119062 | Trim, Door |
| 19 | 1125555 | Shelf Bin (4) |

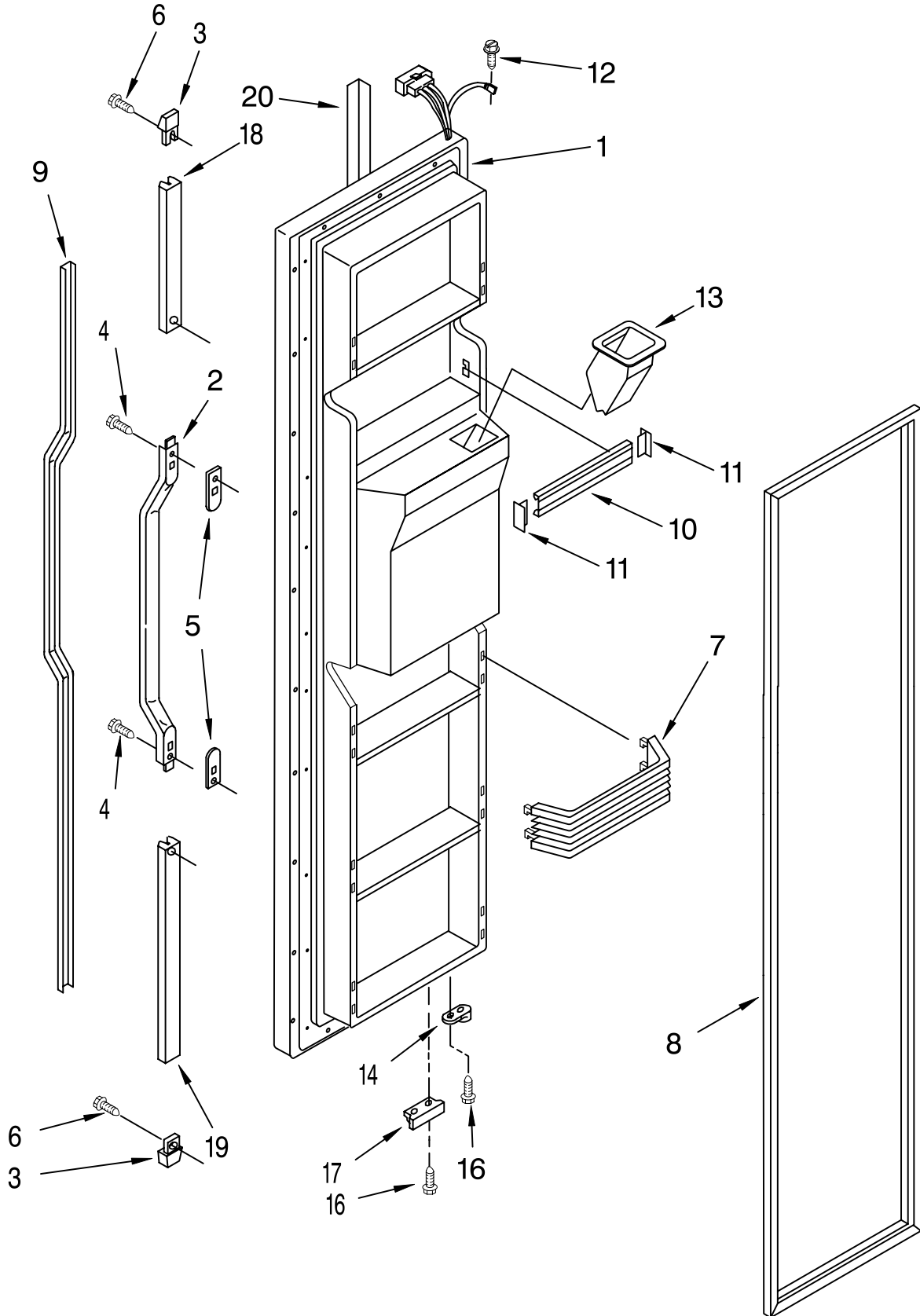
Following Parts Not Illustrated
(Optional Parts Only)

BLACK GLASS PANEL KIT
(Optional Kit)

| | |
|---------|-------------------|
| 4318336 | Trim Kit |
| | Acrylic Panel Kit |
| 4210348 | Black |
| 4211148 | White |
| 4211147 | Almond |
| | Handle Inserts |
| 4318339 | Black |
| 4318340 | Woodgrain |
| 4318417 | Black Grille Kit |

FREEZER DOOR PARTS

For Models: KRSR25FBWH01, KRSR25FBAL01
(White) (Almond)



FOR ORDERING INFORMATION REFER TO PARTS PRICE LIST

FREEZER DOOR PARTS

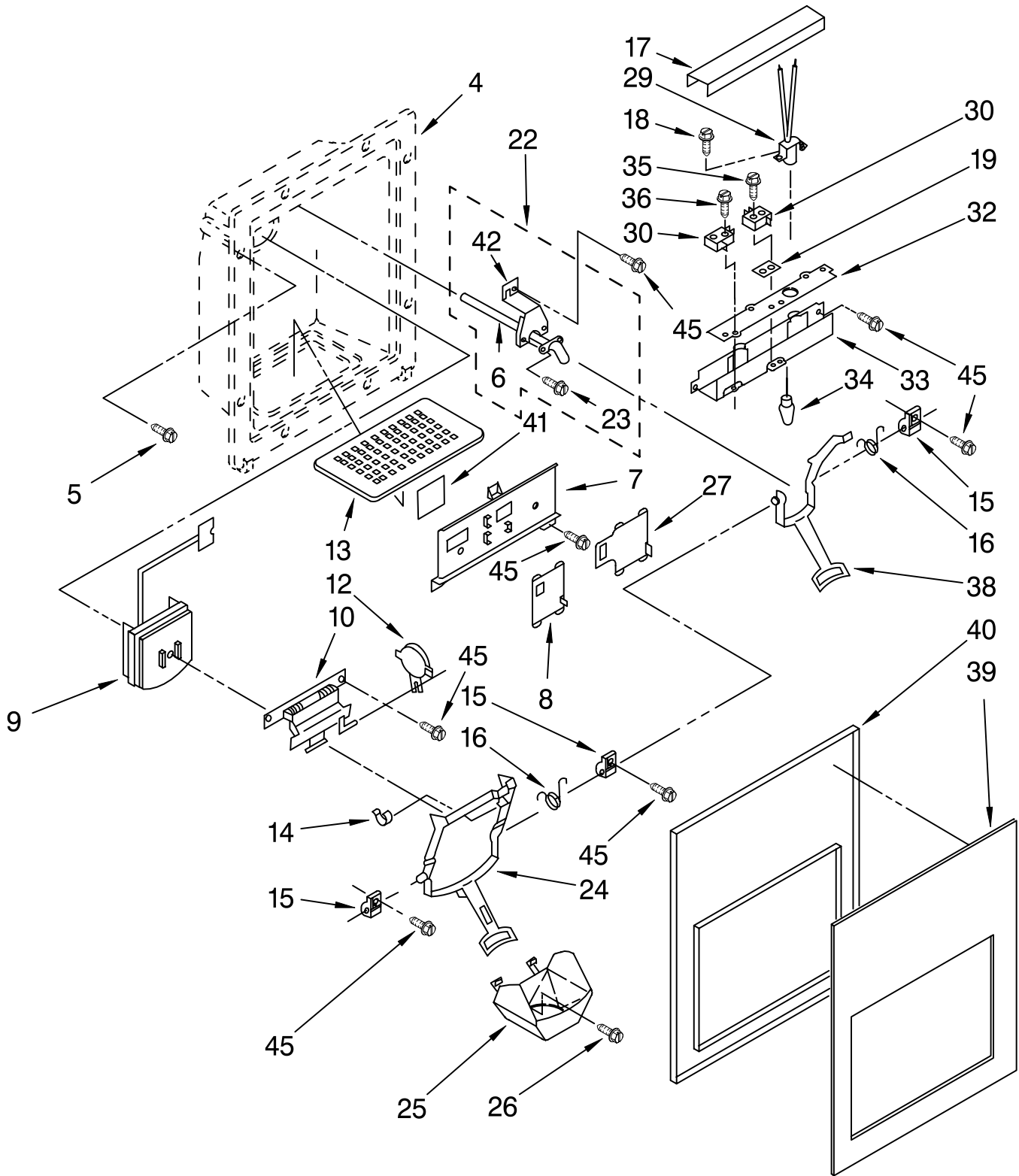
For Models: KRSR25FBWH01, KRSR25FBAL01
(White) (Almond)

| Illus. No. | Part No. | DESCRIPTION |
|------------|----------|---|
| 1 | | Freezer Door (Includes #8 And Dispenser Front Parts) |
| | 2159351 | White |
| | 2159352 | Almond |
| 2 | 1107215 | Handle Assembly |
| 3 | 1107341 | End Cap (2) |
| 4 | 487909 | Screw |
| 5 | 1107651 | Spacer, Handle |
| 6 | 489075 | Screw |
| 7 | 2156016 | Shelf Bin (4) |
| 8 | 2159078 | Door Gasket, Magnetic (Service) |
| 9 | | Insert, Handle |
| | 1117948 | White |
| | 1117949 | Almond |
| 10 | 2157603 | Trim, Door Shelf |
| 11 | 2156006 | End Cap |
| 12 | 489422 | Screw |
| 13 | 2156146 | Chute, Ice |
| 14 | 2155312 | Door Closer, Upper Cam |
| 16 | 489367 | Screw |
| 17 | 2155332 | Bracket, Door Stop |
| 18 | 1107243 | Retainer, Insert |
| 19 | 1117952 | Retainer, Insert |
| 20 | 1119062 | Trim, Door |

DISPENSER FRONT PARTS

For Models: KRSR25FBWH01, KRSR25FBAL01

(White) (Almond)



FOR ORDERING INFORMATION REFER TO PARTS PRICE LIST

DISPENSER FRONT PARTS

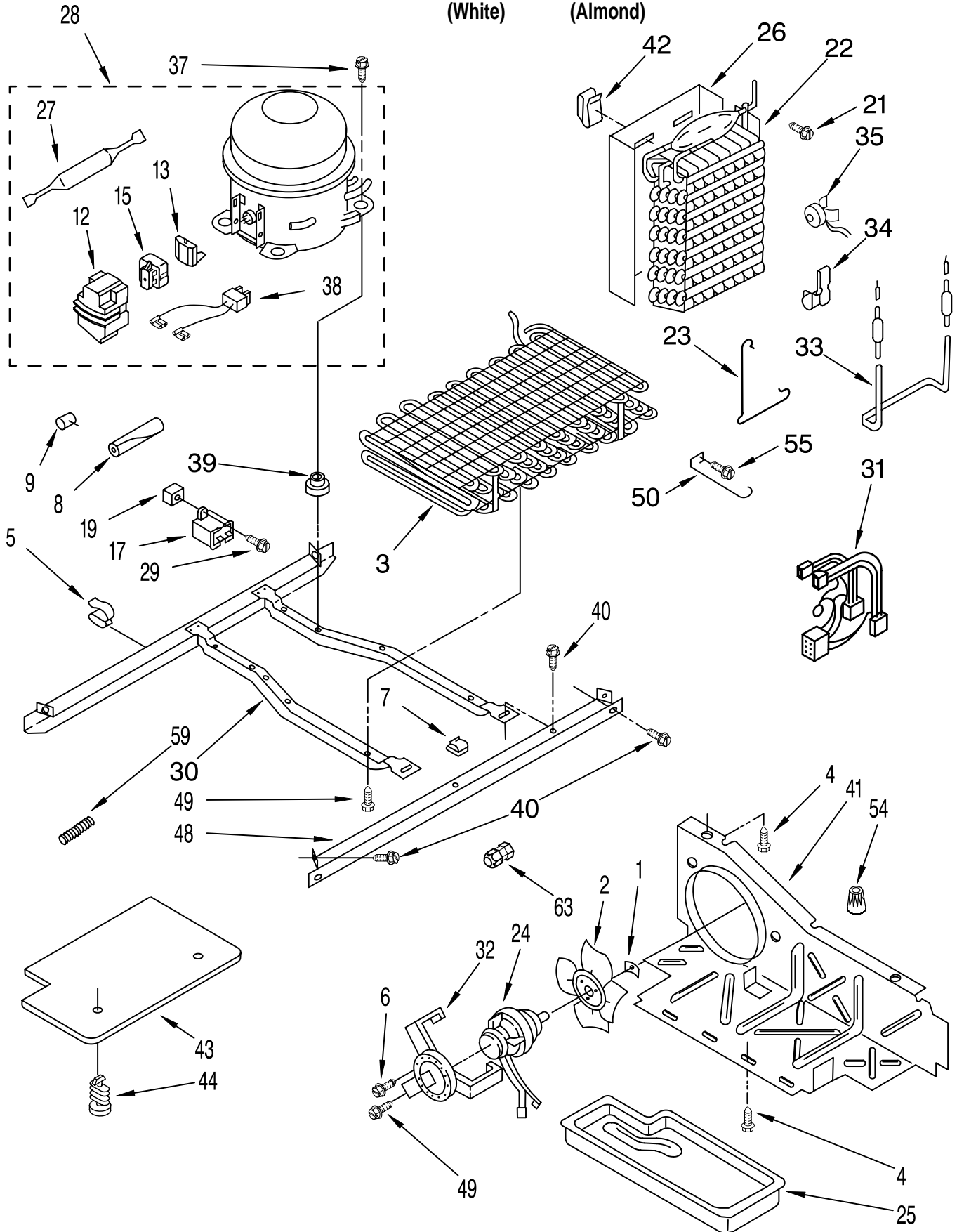
For Models: KRSR25FBWH01, KRSR25FBAL01
(White) (Almond)

| Illus. No. | Part No. | DESCRIPTION | Illus. No. | Part No. | DESCRIPTION | Illus. No. | Part No. | DESCRIPTION |
|------------|----------|--|------------|----------|--|------------|----------|-----------------------------------|
| 4 | | Housing, Dispenser (Not A Servicable Item) | 15 | 983697 | Bearing, Lever (3) | 30 | 2162361 | Switch (4) |
| 5 | 488687 | Screw | 16 | 983696 | Spring, Lever (2) | 32 | 2147164 | Insulator, Control Bracket |
| 6 | | Tube, Water (See Item #22) | 17 | 2147165 | Shield, Wiring | 33 | 2147163 | Bracket, Control |
| 7 | | Frame, Slides | 18 | 488500 | Screw | 34 | 851389 | Bulb, Light |
| | 2152717 | White | 19 | 625834 | Spacer | 35 | 488361 | Screw (2) |
| | 2152718 | Almond | 22 | 2155018 | Water Fitting Assembly (Includes Water Tube) | 36 | 489155 | Screw (6) |
| 8 | | Slide, Cube/Crush Switch | 23 | 487916 | Screw | 38 | | Lever Assembly, Water Dispenser |
| | 2152720 | White | 24 | | Lever Assembly, Ice Dispenser | | 2159199 | White |
| | 2152721 | Almond | | 2155815 | White | | 2159198 | Almond |
| 9 | 2157651 | Door, Ice | | 1125972 | Almond | 39 | | Insert, Cover |
| 10 | 2157650 | Door Mechanism Assembly | 25 | | Guide, Ice | | 2168865 | White |
| | | | | 1124730 | White | | 2168866 | Almond |
| 12 | 1120581 | Mechanism Delay | | 1126026 | Almond | 40 | | Cover, Housing (Includes Item 39) |
| 13 | | Grille, Overflow | 26 | 488892 | Screw | | 2168868 | White |
| | 1126120 | White | 27 | | Slide, Light | | 2168869 | Almond |
| | 1126121 | Almond | | | Switch | 41 | 2147172 | Heat Shield, Frame |
| 14 | 987917 | Clip, Bearing (2) | | 2152726 | White | 42 | 987049 | Bracket, Water |
| | | | | 2152727 | Almond | 45 | 489000 | Screw |
| | | | 29 | 2147131 | Lamp Holder | | | |

FOR ORDERING INFORMATION REFER TO PARTS PRICE LIST

UNIT PARTS

For Models: KRSR25FBWH01, KRSR25FBAL01
(White) (Almond)



FOR ORDERING INFORMATION REFER TO PARTS PRICE LIST

UNIT PARTS

For Models: KRSR25FBWH01, KRSR25FBAL01
(White) (Almond)

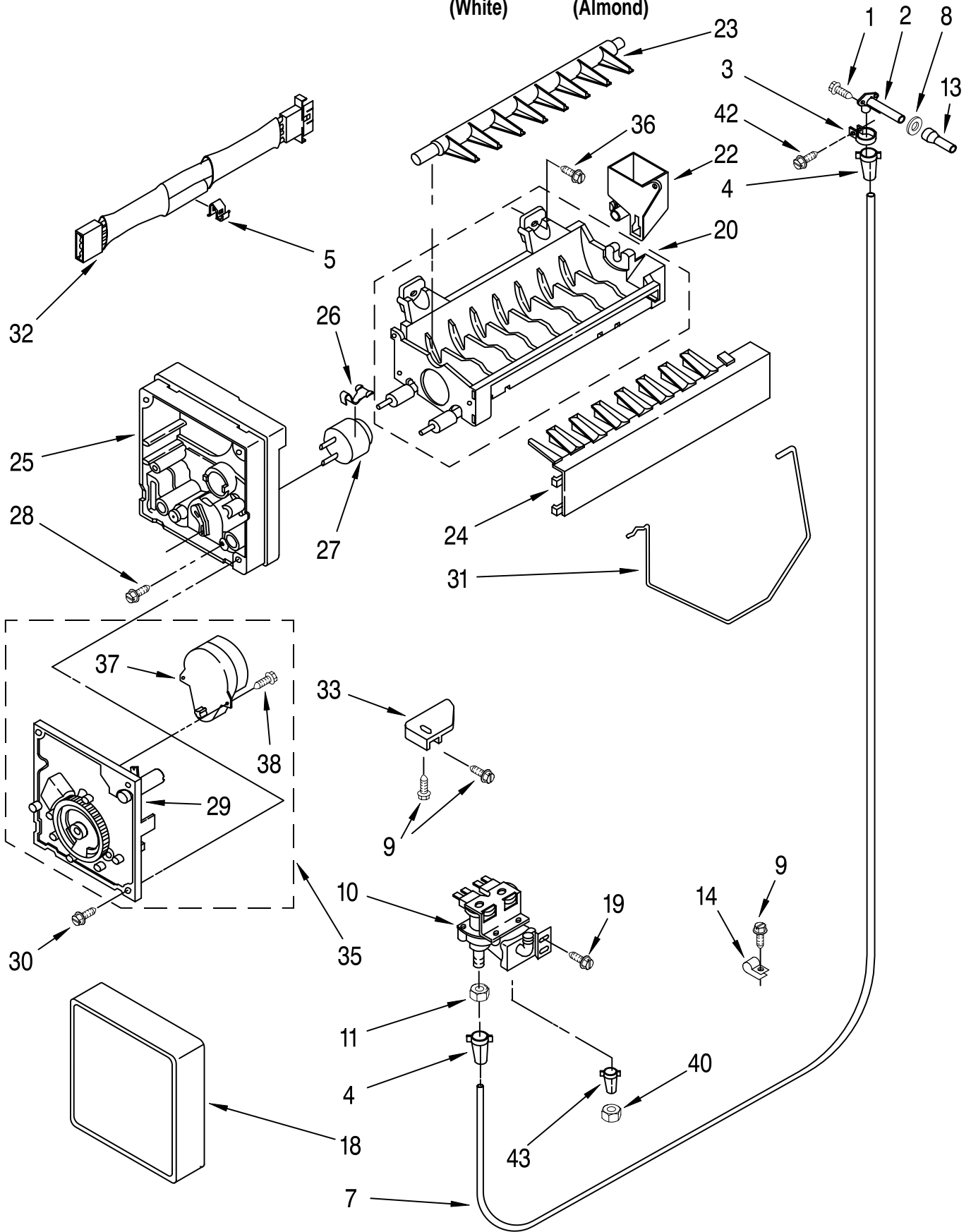
| Illus. No. | Part No. | DESCRIPTION | Illus. No. | Part No. | DESCRIPTION | Illus. No. | Part No. | DESCRIPTION |
|------------|----------|------------------------------|------------|----------|---|--|----------|--------------------------|
| 1 | 486692 | Speed Nut | 28 | 2169443 | Compressor (Includes Items 12, 13, 15, 17, 27 & 38) (Also Order 876765 Tube Kit) | 63 | 2150347 | Union |
| 2 | 1108179 | Fan, Blade | | | | Following Parts Not Illustrated and Optional Parts Not Included | | |
| 3 | 2164504 | Condenser Assembly | 29 | 488687 | Screw | 978025 | | Valve, Access (1/4") |
| 4 | 489337 | Screw | 30 | 2157396 | Unit Mounting Frame | 978026 | | Valve, Access (5/16") |
| 5 | 2155658 | Clip, Wire | 31 | 2149199 | Unit, Harness | 978027 | | Valve, Access (3/8") |
| 6 | 489099 | Screw | 32 | 548695 | Fan, Motor Bracket | 978028 | | Valve, Access (1/2") |
| 7 | 934011 | Clip, Tube (3) | 33 | 2161323 | Heater, Defrost | 978029 | | Valve, Access (5/8") |
| 8 | 2161302 | Sleeve | 34 | 2161330 | Clip | 978030 | | Valve, Access (3/4") |
| 9 | 2158826 | Dampener | 35 | 2161331 | Bi-Metal, Defrost | 876764 | | Valve, Access (3/16") |
| 12 | 2162358 | Cover | 37 | 489373 | Screw | REFRIGERANT CHARGE | | |
| 13 | 2154697 | Overload (Includes Relay) | 38 | 2172890 | Wire, Connector | 6.0 oz. (R-134A) | | |
| 15 | | Relay (See Overload) | 39 | 1100826 | Grommet (4) | | | |
| 17 | 2169137 | Capacitor | 40 | 489427 | Screw | | | |
| 19 | 509812 | Screw Grommet | 41 | 2149128 | Air Baffle | | | |
| 21 | 489242 | Screw | 42 | 2155547 | Clip, Heat Shield | | | |
| 22 | 2164519 | Evaporator | 43 | 2161363 | Unit Cover, Bottom | | | |
| 23 | 2161324 | Clamp | 44 | 489396 | Clip | | | |
| 24 | 2162431 | Fan, Motor | 48 | 1127906 | Unit Mounting Rail | | | |
| 25 | 1110674 | Tray, Evaporator | 49 | 488624 | Screw | | | |
| 26 | 2149294 | Heat Shield | 50 | 1110663 | Guard, Fan | | | |
| 27 | 2164409 | Drier | 54 | 227991 | Wire Connector | | | |
| | | | 55 | 488649 | Screw | | | |
| | | | 59 | 983659 | Spring-Tube | | | |



FOR ORDERING INFORMATION REFER TO PARTS PRICE LIST

ICEMAKER PARTS

For Models: KRSR25FBWH01, KRSR25FBAL01
(White) (Almond)



FOR ORDERING INFORMATION REFER TO PARTS PRICE LIST

ICEMAKER PARTS

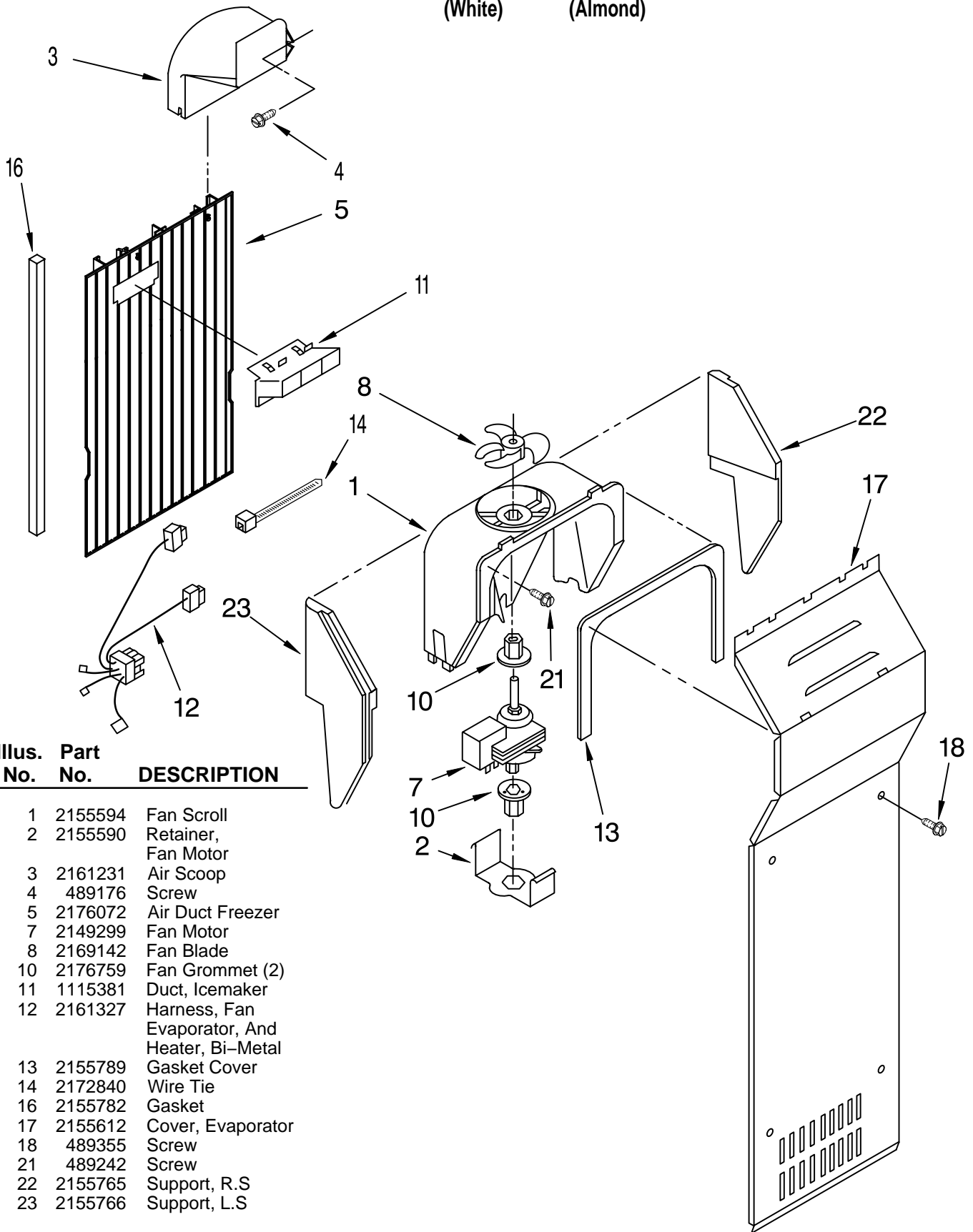
For Models: KRSR25FBWH01, KRSR25FBAL01
(White) (Almond)

| Illus. No. | Part No. | DESCRIPTION |
|------------|----------|---|
| 1 | 489084 | Screw |
| 2 | 836489 | Fitting, Water Tube |
| 3 | 488878 | Clamp, Tube |
| 4 | 841707 | Insert, Tube |
| 5 | 628379 | Clip, Fuse |
| 7 | 2155294 | Tube, Water |
| 8 | 1106508 | Seal, Gasket |
| 9 | 489242 | Screw |
| 10 | 2002182 | Valve, Solenoid |
| 11 | 627018 | Nut, Compression |
| 13 | 2155247 | Tube, Water Inlet |
| 14 | 489385 | Tube Clamp |
| 18 | 628355 | Cover |
| 19 | 488649 | Screw |
| 20 | 628228 | Mold & Heater Assembly (Also Order 542638 |
| 22 | 628356 | Cup, Water Fill |
| 23 | 627843 | Ejector |
| 24 | 627788 | Ice Striper |
| 25 | 627790 | Support |
| 26 | 627796 | Retainer, Thermostat |
| 27 | 628397 | Thermostat (Also Order 542369 Cement Alumilastic) |
| 28 | 489322 | Screw |
| 29 | 628399 | Motor Module |
| 30 | 489276 | Screw |
| 31 | 2171593 | Shut Off Arm |
| 32 | 628256 | Harness, Wiring |
| 33 | 628320 | Bracket |
| 35 | 628366 | Module Assembly (Includes Items 29, 37 & 38) |
| 36 | 488208 | Screw |
| 37 | 628398 | Motor |
| 38 | 489136 | Screw |
| 40 | 1129179 | Nut, Compression |
| 42 | 488886 | Screw |
| 43 | 1129177 | Insert |
| 100 | 4317943 | Complete Icemaker Assembly |

FOR ORDERING INFORMATION REFER TO PARTS PRICE LIST

AIR FLOW PARTS

For Models: KRSR25FBWH01, KRSR25FBAL01
(White) (Almond)

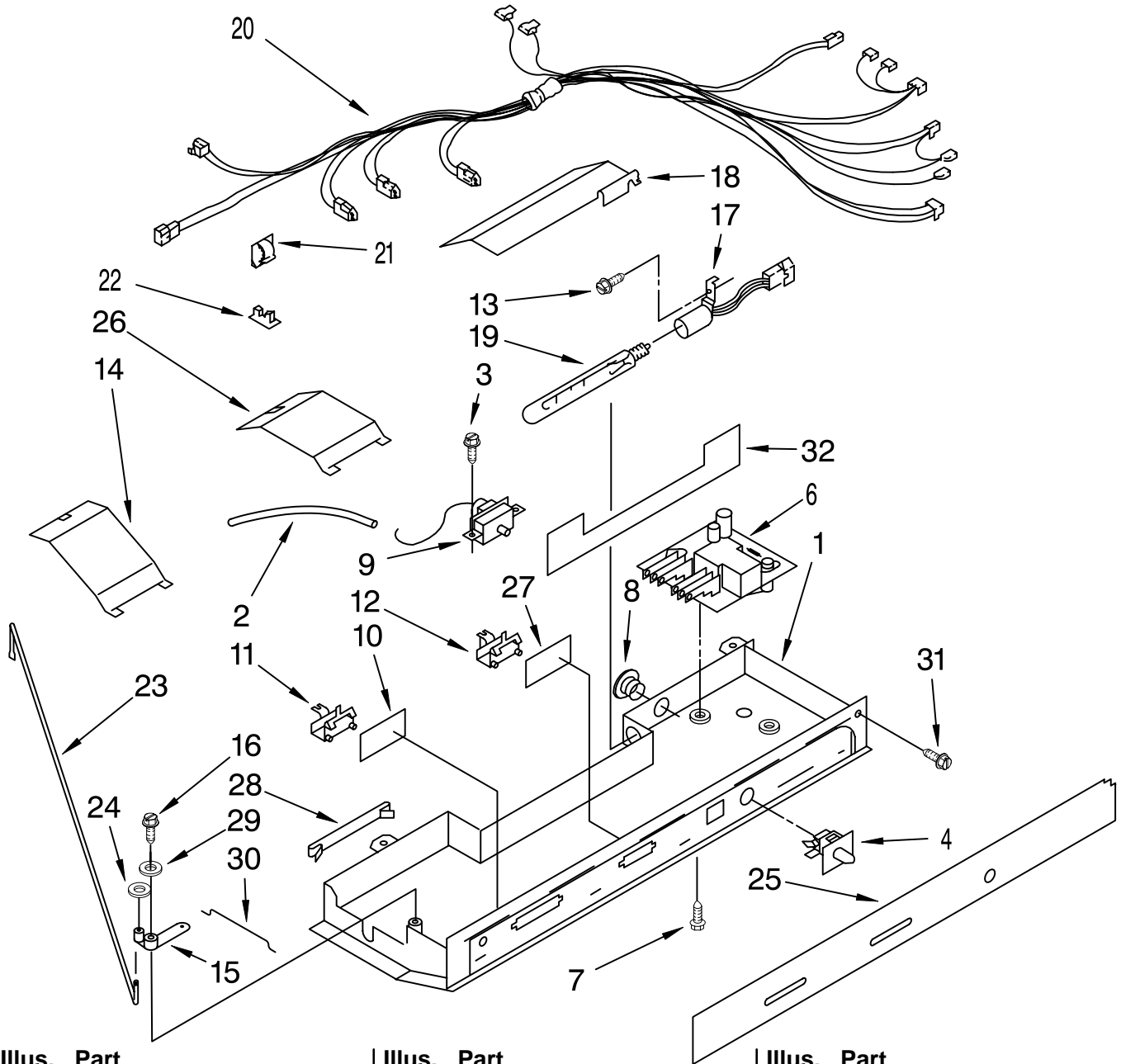


| Illus. No. | Part No. | DESCRIPTION |
|------------|----------|---|
| 1 | 2155594 | Fan Scroll |
| 2 | 2155590 | Retainer, Fan Motor |
| 3 | 2161231 | Air Scoop |
| 4 | 489176 | Screw |
| 5 | 2176072 | Air Duct Freezer |
| 7 | 2149299 | Fan Motor |
| 8 | 2169142 | Fan Blade |
| 10 | 2176759 | Fan Grommet (2) |
| 11 | 1115381 | Duct, Icemaker |
| 12 | 2161327 | Harness, Fan Evaporator, And Heater, Bi-Metal |
| 13 | 2155789 | Gasket Cover |
| 14 | 2172840 | Wire Tie |
| 16 | 2155782 | Gasket |
| 17 | 2155612 | Cover, Evaporator |
| 18 | 489355 | Screw |
| 21 | 489242 | Screw |
| 22 | 2155765 | Support, R.S |
| 23 | 2155766 | Support, L.S |

FOR ORDERING INFORMATION REFER TO PARTS PRICE LIST

CONTROL PARTS

For Models: KRSR25FBWH01, KRSR25FBAL01
(White) (Almond)



| Illus. No. | Part No. | DESCRIPTION |
|------------|----------|--------------------------|
| 1 | 2169150 | Control Box |
| 2 | 1115241 | Tube Barrier, Thermostat |
| 3 | 489214 | Screw |
| 4 | 1123923 | Light Switch |
| 6 | 2169269 | Adaptive Defrost Control |
| 7 | 489398 | Screw (2) |
| 8 | 940014 | Hole Plug |
| 9 | 2161282 | Thermostat Assembly |
| 10 | 1126028 | Window |

| Illus. No. | Part No. | DESCRIPTION |
|------------|----------|---------------------|
| 11 | 1125592 | Slide, Air Control |
| 12 | 1125591 | Slide, Thermostat |
| 13 | 489242 | Screw |
| 14 | 1118072 | Light Bar |
| 15 | 2161306 | Pivot Arm |
| 16 | 627068 | Screw |
| 17 | 1110690 | Light Socket |
| 18 | 1118033 | Heat Shield |
| 19 | 548049 | Light Bulb |
| 20 | 2162461 | Control Box Harness |
| 21 | 1115374 | Clip, Wiring |
| 22 | 1115375 | Clip, Wiring |

| Illus. No. | Part No. | DESCRIPTION |
|------------|----------|-------------------------|
| 23 | 2161308 | Connecting Rod |
| 24 | 489391 | Fastener, Push-On |
| 25 | 2155695 | Escutcheon, Control Box |
| 26 | 1126089 | Light Bar |
| 27 | 1126027 | Window |
| 28 | 1125811 | Clip, Control Box |
| 29 | 489203 | Spring Washer |
| 30 | 2161307 | Connecting Rod (Short) |
| 31 | 489290 | Screw (4) |
| 32 | 1127141 | Heat Shield |

FOR ORDERING INFORMATION REFER TO PARTS PRICE LIST

PARTS NOT ILLUSTRATED

For Models: KRSR25FBWH01, KRSR25FBAL01
(White) (Almond)

Illus. Part
No. No. DESCRIPTION

Parts Not Illustrated and
Optional Parts (Not Included)

Customer Touch-Up Material

*350942 Primer, White
(13 Oz. Spray Can)
*350941 Leveler, Enamel
(13 Oz. Spray Can)
*350939 Enamel, Black
(13 Oz. Spray Can)
*350930 Enamel, White
(13 Oz. Spray Can)
*350956 Enamel, Almond
(13 Oz. Spray Can)
72017 Brush Touch-Up Kit
(White)
72107 Brush Touch-Up Kit
(Almond)
72032 Brush Touch-up kit
(Black)

*
not to be used where the paint
may make contact with the door
gaskets.

Illus. Part
No. No. DESCRIPTION

Miscellaneous

212643 Sealer, Gum
(4 Feet)
479502 Tape, Vinyl
(3/4 x 108")
876370 Kit, Insulation
(2 Pcs. x 3" x 24"
X 48")
876305 Kit, Insulation
(14 Pcs. x 3"
x 24" x 48")
978941 Insulation,
Fiberglass
(63-1/2" x 35-1/2"
X 2-5/8)
876029 Kit, Foam Slab
(30" x 32-1/2"
x 1-1/2")
505587 Sealer, Mastic
(1 Qt.)
503695 Cork, Sealer
(1/4 Pound)
511873 Touch-Up, White
Porcelain (2 Oz.)
542638 Grease, Silicone
(1/2 Oz.)
542639 Cement,
Alumilastic
(1-1/4 Oz.)
606755 Bag, Insulation
(36-5/8" x 46")
799833 Kit, Evaporator
Repair
(Aluminum Epoxy)
833938 Kit, Terminal
Connector
2152710 Ice Container Asm
2149072 Ice Crusher Asm

Illus. Part
No. No. DESCRIPTION

Refinishing Material

799340 Enamel, Black
(1 Qt. Uncut)
799344 Enamel, White
(1 Qt. Uncut)
978883 Enamel, Almond
(1 Qt. Uncut)

LITERATURE PARTS

LIT2168942 Use & Care Guide
LIT2176725 Service & Wiring
Sheet
LIT2168933 Energy Label
LIT628370 Modular Ice maker
Service Sheet

TORX SCREW WRENCH

1117510 Torx Key

FOR ORDERING INFORMATION REFER TO PARTS PRICE LIST