

CABINET PARTS

For Models: KSRG25FKSS01
(Stainless Steel)

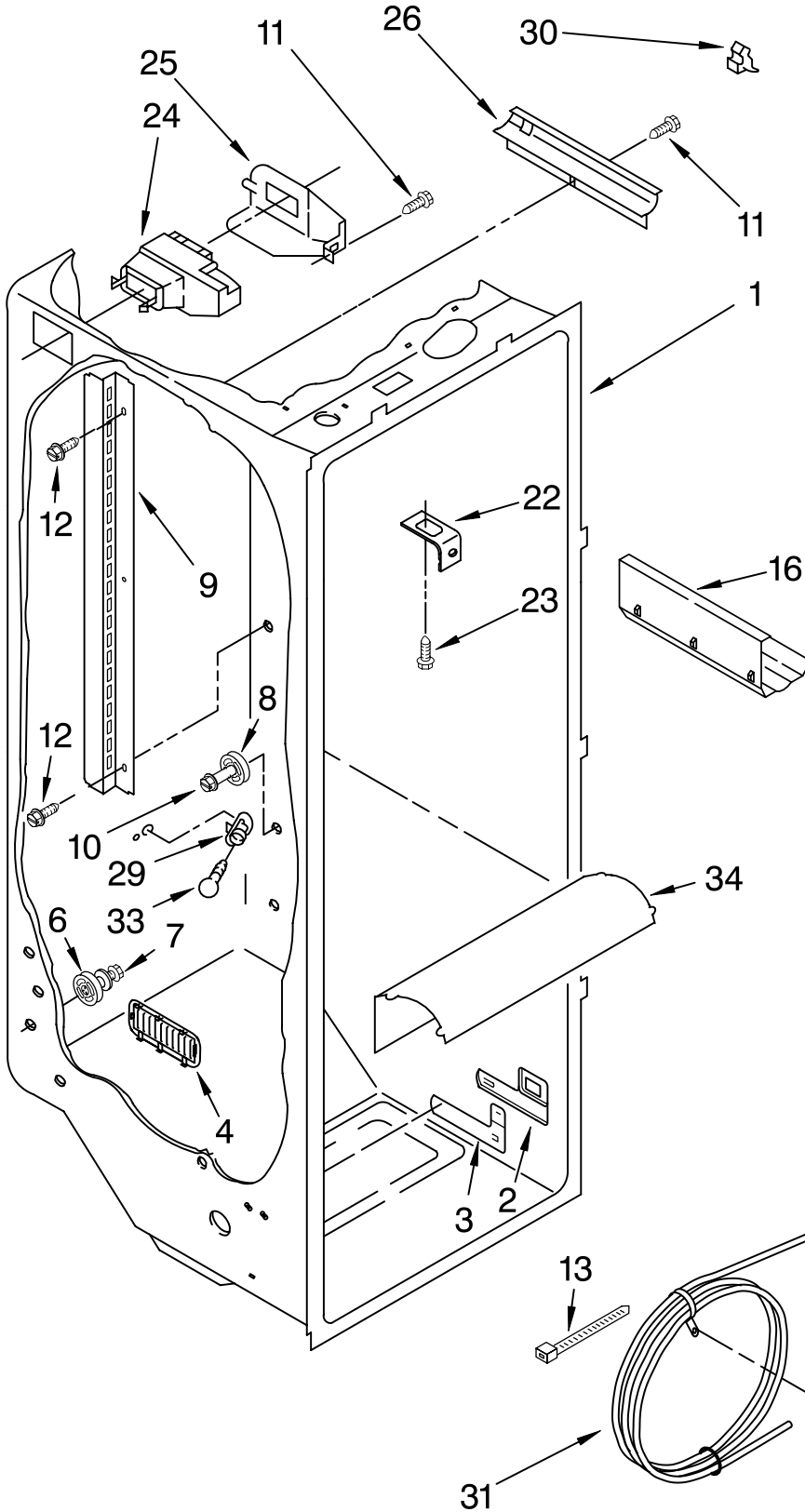
Illus. No.	Part No.	DESCRIPTION
------------	----------	-------------

LITERATURE PARTS

1	LIT2219908	Use & Care Guide
	LIT2216952	Service & Wiring Sheet
	LIT2219920	Energy Label
	LIT628370	Modular Icemaker Service Sheet
2	2174748	Front Roller (2)
3	3400517	Screw
4	2196236	Roller (Rear) (2)
5	489427	Screw
6	2155013	Clip, Grille
7	489478	Screw
8	2156056	Shim
9	2203771	Hinge Top, RC
10	8281149	Screw
11		Hinge Cover, FC
	2203407B	Black
12	2217075	Hinge Bottom (2)
13		Filler, Wrapper
	2196097	Black
14		Grille
	2186881B	Black
15	489497	Screw
16	2203770	Hinge, Top FC
17	489464	Screw
18	940139	Drain Fitting
19	1108438	Tube, Extension
20	1108439	Clip, Drain Tube
21	2204203	Cover, Unit
22		Hinge Cover, RC
	2203408B	Black
23	549193	Clamp, Service Cord
24	489084	Screw
25	2155311	Door Closer, Lower Cam (2)
26	489483	Screw
27	2186443	Housing, Water Filter
28	2203220	Water Filter
29	489500	Screw
30		Cap, Water Filter
	2186884B	Black
31		Cabinet (Not A Serviceable Part)
32	8281227	Screw

REFRIGERATOR LINER PARTS

For Models: KSRG25FKSS01
(Stainless Steel)

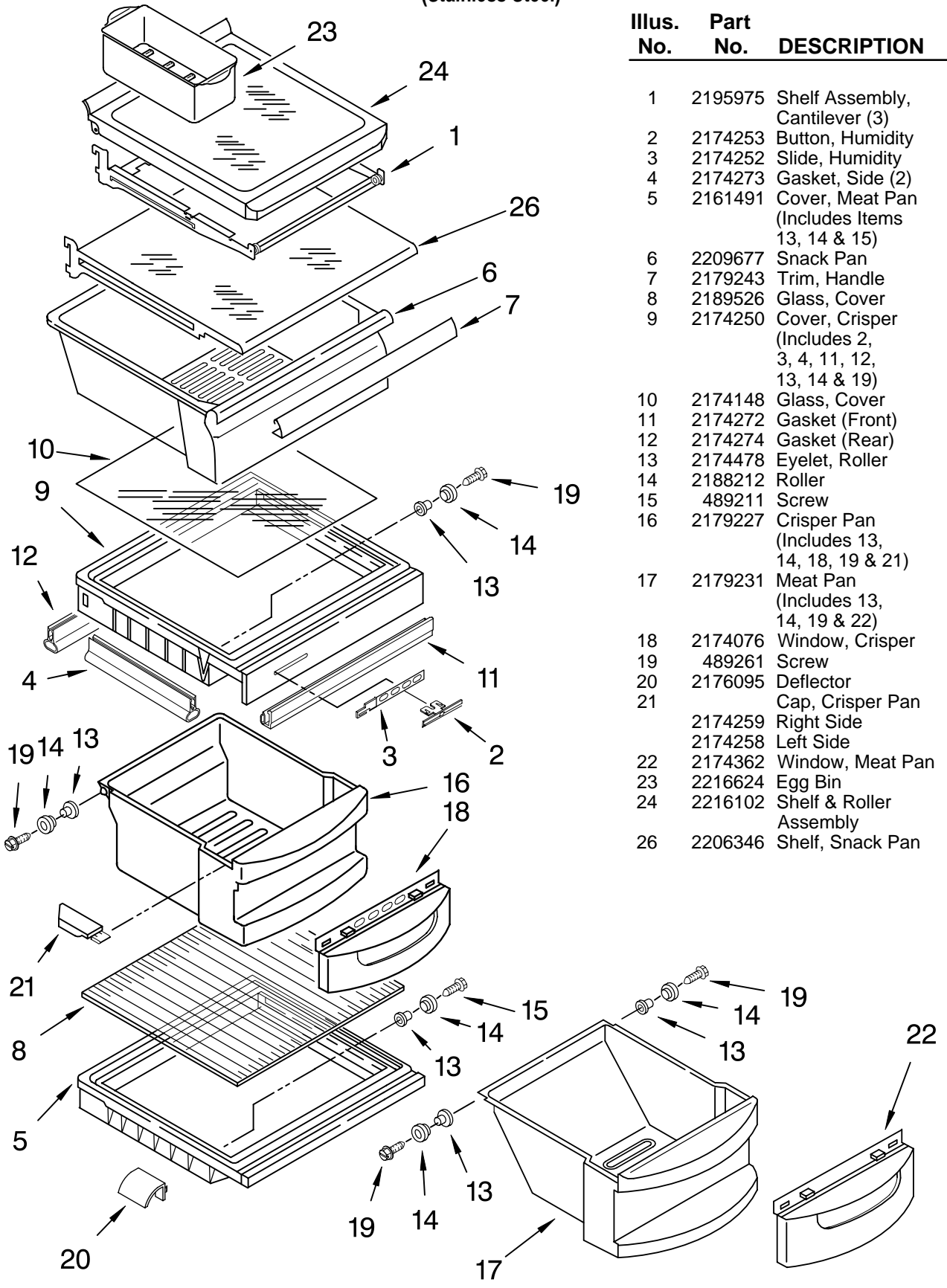


Illus. No.	Part No.	DESCRIPTION
1		Liner (Not A Serviceable Part)
2	2194744	Escutcheon, Meat Pan Control
3	2182757	Slide Meat Pan Control
4	2182147	Louver
6	2196485	Stud Assembly
7	3400894	Screw
8	2196483	Stud Assembly
9	2206273	Ladder, Shelf (2)
10	8281158	Screw
11	486298	Screw (2)
12	487539	Screw
13	2205813	Strap
16	2179404	Rack, Wine & Egg
22	1123919	Bracket Retainer
23	489290	Screw (2)
24	2209754	Air Diffuser Assembly
25	2152019	Air Diffuser Cover
26	2150331	Cover, Conduit
29	2162085	Socket
30	842534	Clip, Air Duct
31	2217199	Reservoir
33	527949	Light Bulb
34	2206269	Light Lens
37	488280	Screw

FOR ORDERING INFORMATION REFER TO PARTS PRICE LIST

REFRIGERATOR SHELF PARTS

For Models: KSRG25FKSS01
(Stainless Steel)



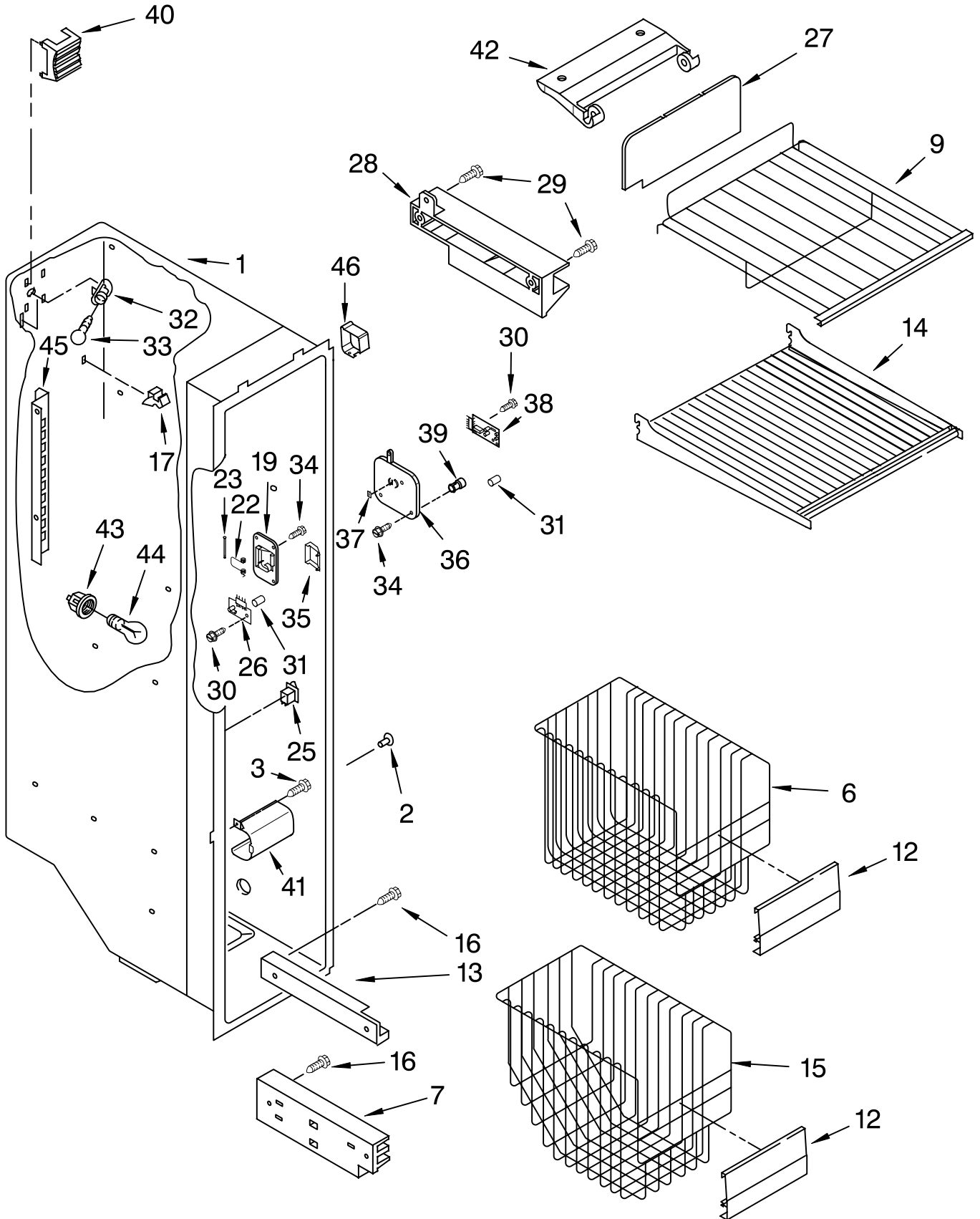
Illus. No.	Part No.	DESCRIPTION
1	2195975	Shelf Assembly, Cantilever (3)
2	2174253	Button, Humidity
3	2174252	Slide, Humidity
4	2174273	Gasket, Side (2)
5	2161491	Cover, Meat Pan (Includes Items 13, 14 & 15)
6	2209677	Snack Pan
7	2179243	Trim, Handle
8	2189526	Glass, Cover
9	2174250	Cover, Crisper (Includes 2, 3, 4, 11, 12, 13, 14 & 19)
10	2174148	Glass, Cover
11	2174272	Gasket (Front)
12	2174274	Gasket (Rear)
13	2174478	Eyelet, Roller
14	2188212	Roller
15	489211	Screw
16	2179227	Crisper Pan (Includes 13, 14, 18, 19 & 21)
17	2179231	Meat Pan (Includes 13, 14, 19 & 22)
18	2174076	Window, Crisper
19	489261	Screw
20	2176095	Deflector
21	2174259	Cap, Crisper Pan Right Side
22	2174258	Cap, Crisper Pan Left Side
23	2174362	Window, Meat Pan
24	2216624	Egg Bin
25	2216102	Shelf & Roller Assembly
26	2206346	Shelf, Snack Pan

FOR ORDERING INFORMATION REFER TO PARTS PRICE LIST

FREEZER LINER PARTS

For Models: KSRG25FKSS01

(Stainless Steel)



FOR ORDERING INFORMATION REFER TO PARTS PRICE LIST

FREEZER LINER PARTS

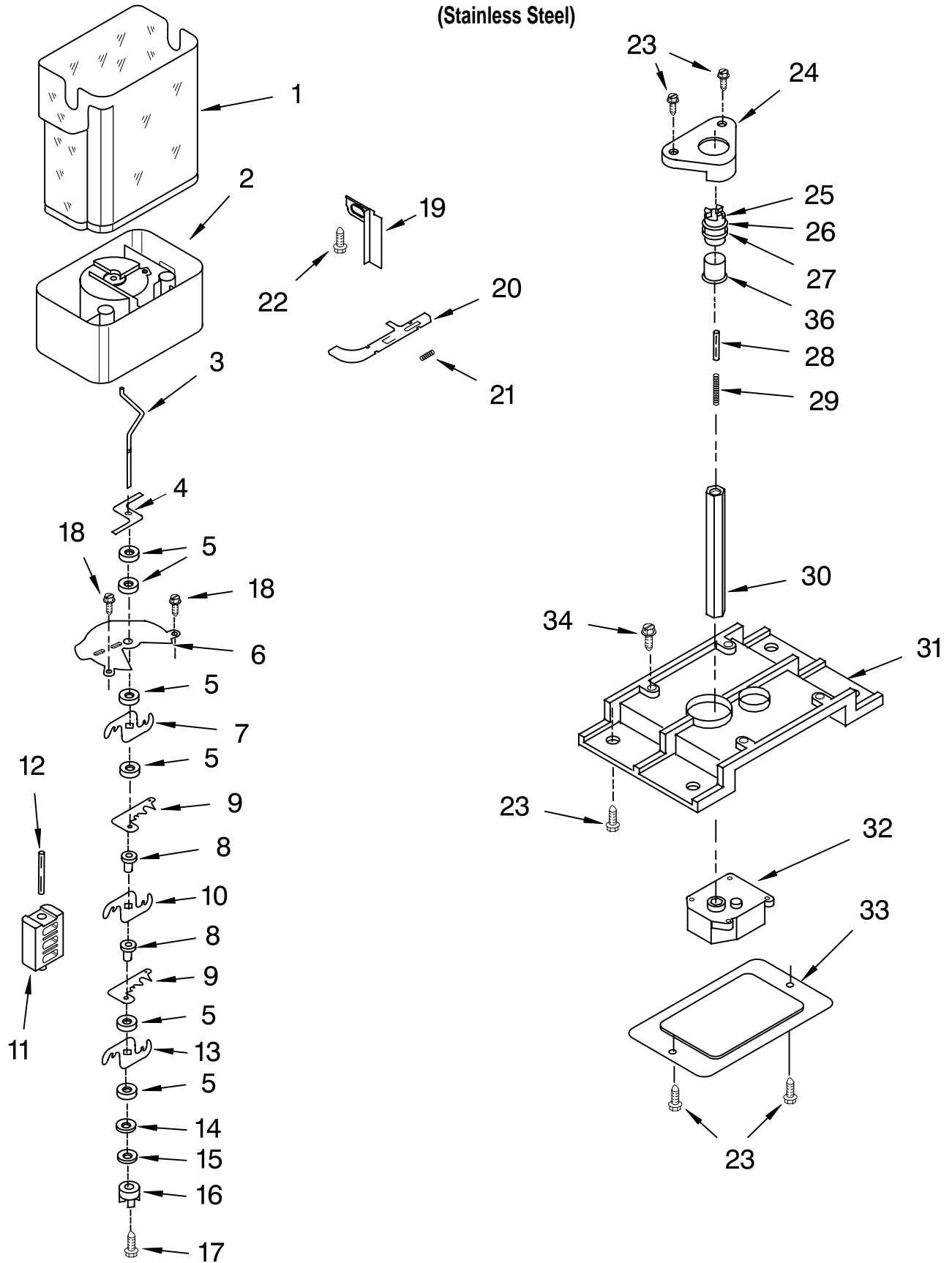
For Models: KSRG25FKSS01
(Stainless Steel)

Illus. No.	Part No.	DESCRIPTION
1		Liner (Not A Serviceable Part)
2	941839	Hole Plug
3	3400893	Screw
6	2181765	Basket, Tall
7		Track, Basket-Dual
	2216106	Right Side
	2216107	Left Side
9	2211746	Shelf, Slide Out Upper
12	2171766	Basket, Front
13		Shelf Track
	2181760	Right Side
	2181759	Left Side
14	2205837	Shelf
15	2181764	Basket, Sloped
16	486298	Screw
17	842534	Clip, Air Duct
19	2198587	Cover, Emitter
22	2198635	Spring
23	2198634	Pin
25	1115373	Switch, Rocker Arm
26	2198585	P.C. Board Emitter
27	2198642	Cover, Ice Maker
28	2212321	Slide, Ice Maker Mounting
29	489478	Screw
30	489214	Screw
31	2198665	Tube, P.C. Board
32	2162085	Light Socket
33	527949	Light Bulb
34	8281185	Screw
35	2198633	Flipper
36	2198588	Cover, Receiver
37	2198637	Slide, Ice Maker Shut Off
38	2198586	P.C. Board, Receiver
39	2198643	Lens
40	2198589	Light Shield
41	2212340	Light Lens
42	2198641	Bracket, Ice Maker Cover
43	2155597	Socket, Light
44	527949	Light Bulb
45		Ladder
	2198609	Left Side
	2198610	Right Side
46	2219878	Shield, Wiring

FOR ORDERING INFORMATION REFER TO PARTS PRICE LIST

MOTOR AND ICE CONTAINER PARTS

For Models: KSRG25FKSS01
(Stainless Steel)



FOR ORDERING INFORMATION REFER TO PARTS PRICE LIST

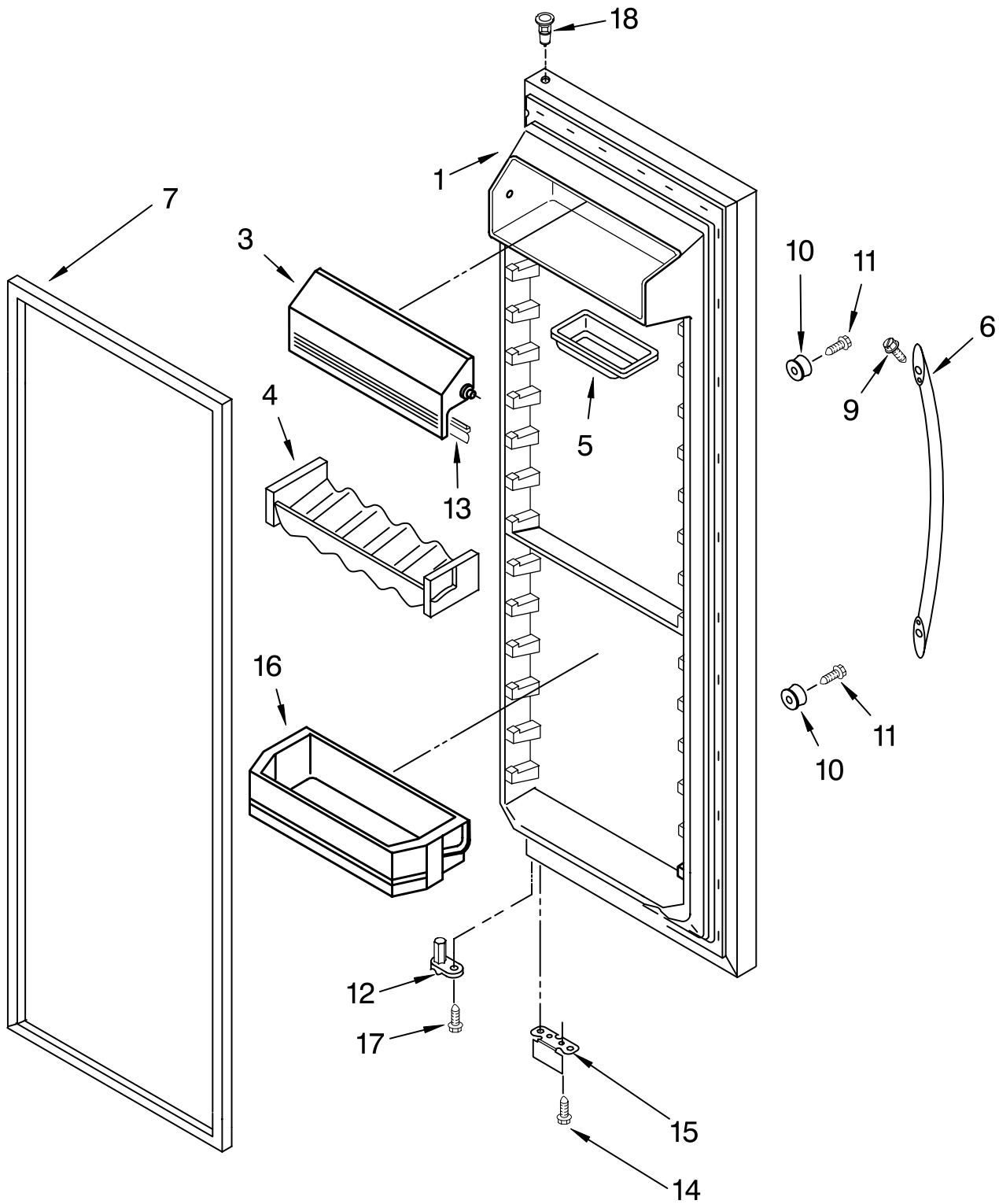
MOTOR AND ICE CONTAINER PARTS

For Models: KSRG25FKSS01
(Stainless Steel)

<u>Illus.</u> <u>No.</u>	<u>Part</u> <u>No.</u>	<u>DESCRIPTION</u>
1	2198573	Ice Bin
2	2212367	Crusher Bin
3	2211590	Auger
4	2198603	Blade, Stirring
5	1119007	Spacer, Flat (6)
6	2198591	Cover, Crusher
7	1119013	Blade, Rotary
8	1119005	Spacer, Step (2)
9	2198601	Blade, Fixed
10	1119012	Blade, Rotary
11	2198602	Block, Blade
12	489229	Roll Pin
13	1119006	Blade, Rotary
14	489235	Washer, Plain
15	2198661	Washer, Coupling
16	2198604	Coupling
17	8281164	Screw
18	3400065	Screw
19	2198605	Button, Bin
20	2212371	Latch, Bin
21	2198608	Spring, Latch
22	2198671	Screw
23	8281163	Screw
24	2212369	Holder
25	2198627	Coupling, Bottom
26	2198628	Seal
27	2212370	Washer
28	2198666	Pin
29	2198607	Spring
30	2198624	Drive Shaft
31	2198655	Bracket, Motor
32	2198594	Dispenser, Motor
33	2198626	Cover
34	8281162	Screw
36	2212365	Sleeve, Coupling

REFRIGERATOR DOOR PARTS

For Models: KSRG25FKSS01
(Stainless Steel)



FOR ORDERING INFORMATION REFER TO PARTS PRICE LIST

REFRIGERATOR DOOR PARTS

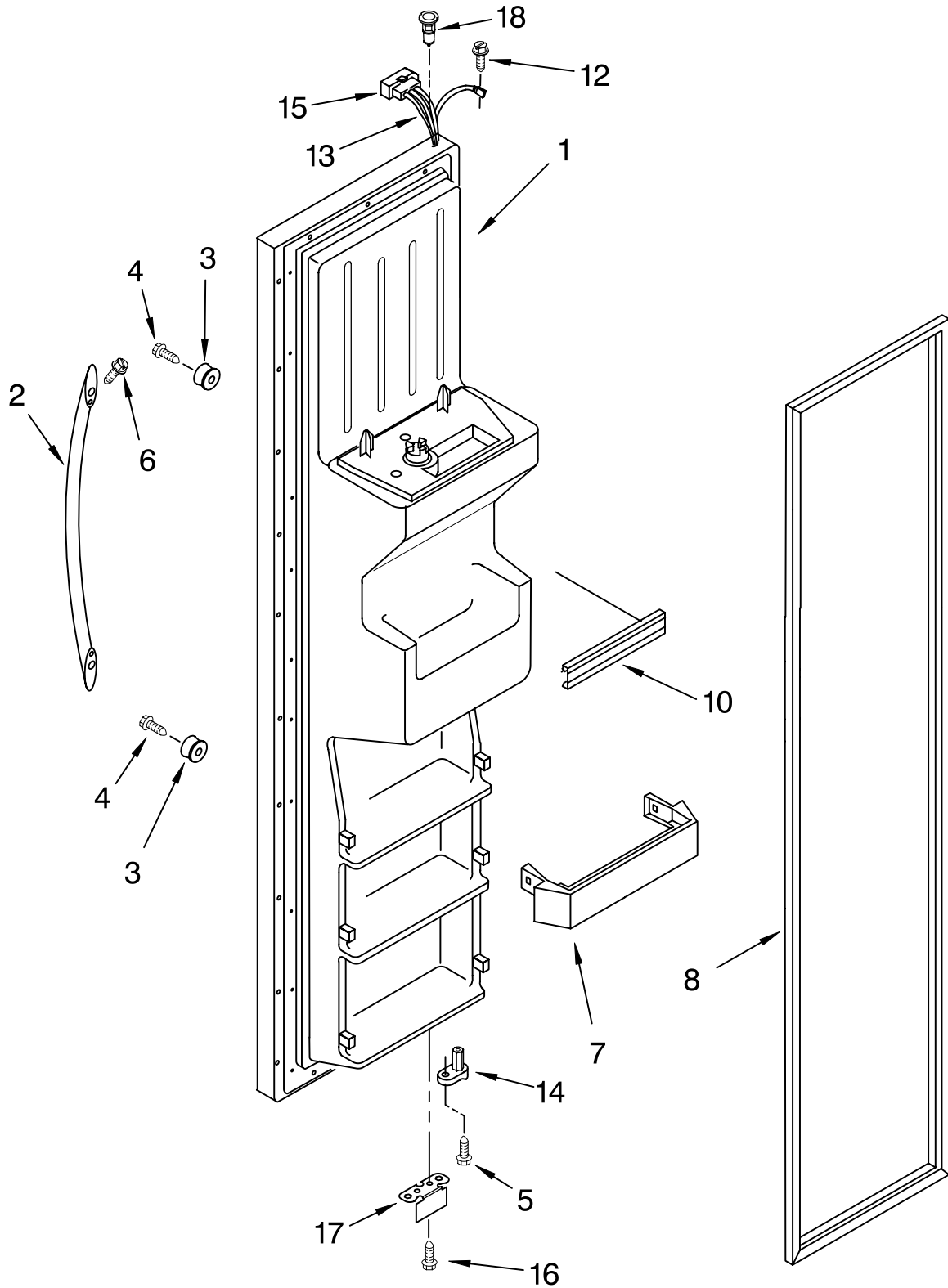
For Models: KSRG25FKSS01
(Stainless Steel)

Illus. No.	Part No.	DESCRIPTION
1		Refrigerator Door (Includes #7)
	2219830S	Stainless Steel
3	2182399	Door, Compartment
4	2193409	Holder, Beverage
5	2165792	Butter Dish
6		Handle
	2204454S	Stainless Steel
7		Door Gasket, Magnetic
	2196241	Black
9	98654	Screw
10	2203690	Stud, Handle
11	489463	Screw
12	2182178	Door Closer, Upper Cam
13	2159124	Gasket
14	489420	Screw
15		Bracket, Door Stop
	2206629B	Black
16	2171063	Shelf Bin (4)
17	3400012	Screw
18	2182180	Thimble-Top

FOR ORDERING INFORMATION REFER TO PARTS PRICE LIST

FREEZER DOOR PARTS

For Models: KSRG25FKSS01
(Stainless Steel)



FOR ORDERING INFORMATION REFER TO PARTS PRICE LIST

FREEZER DOOR PARTS

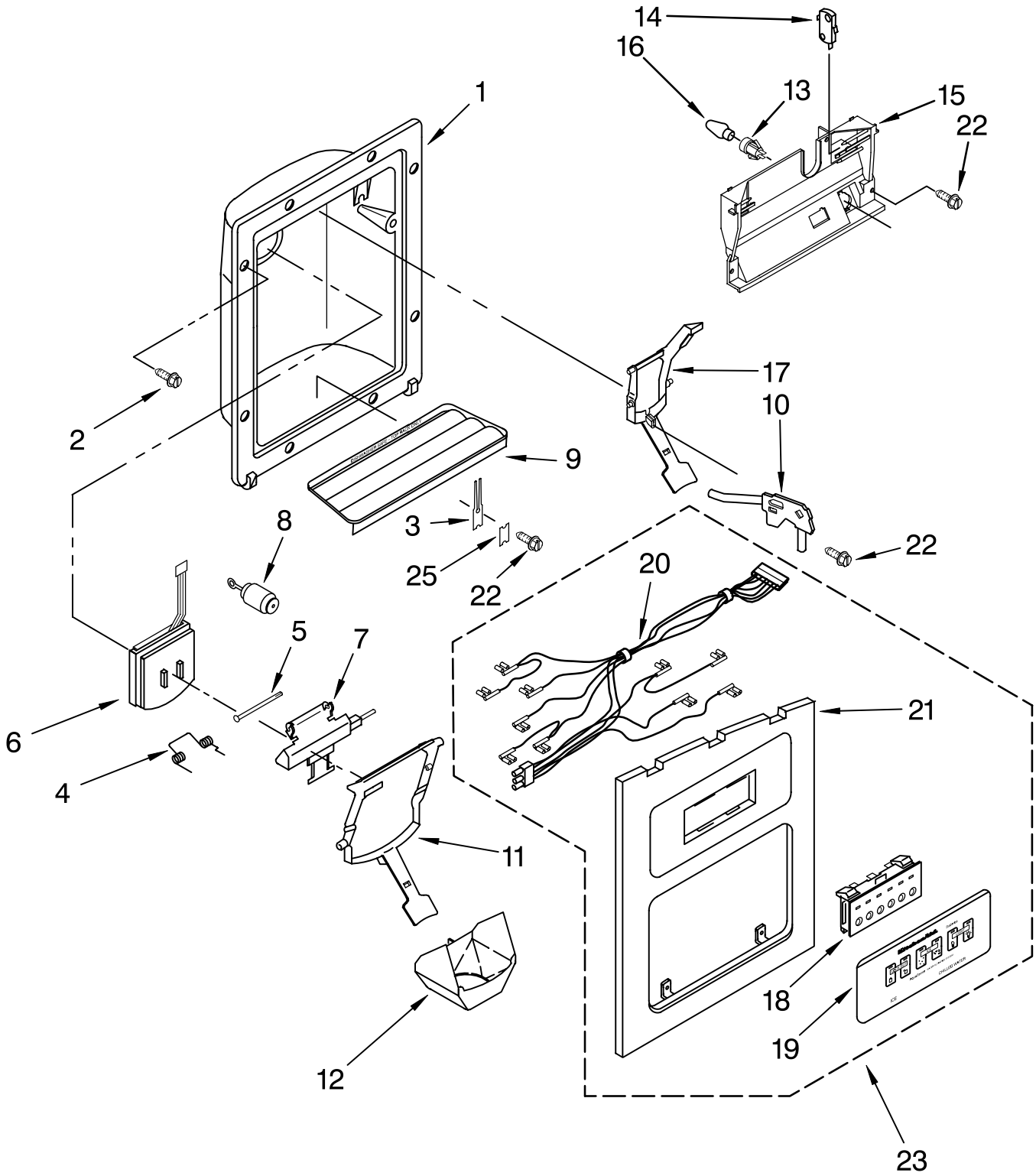
For Models: KSRG25FKSS01
(Stainless Steel)

<u>Illus. No.</u>	<u>Part No.</u>	<u>DESCRIPTION</u>
1		Freezer Door (Includes #8 And Dispenser Front Parts)
	2216569S	Stainless Steel
2		Handle
	2204454S	Stainless Steel
3	2203690	Stud, Handle
4	489463	Screw
5	3400012	Screw
6	98654	Screw
7	2171070	Shelf Bin (4)
8		Door Gasket, Magnetic
	2196242	Black
10	2219982	Trim, Door Shelf
12	488500	Screw
13	2206178	Wire Harness
14	2182179	Door Closer, Upper Cam
15	2154473	Connector
16	489420	Screw
17		Bracket, Door Stop
	2206629B	Black
18	2182181	Thimble-Top

FOR ORDERING INFORMATION REFER TO PARTS PRICE LIST

DISPENSER FRONT PARTS

For Models: KSRG25FKSS01
(Stainless Steel)



FOR ORDERING INFORMATION REFER TO PARTS PRICE LIST

DISPENSER FRONT PARTS

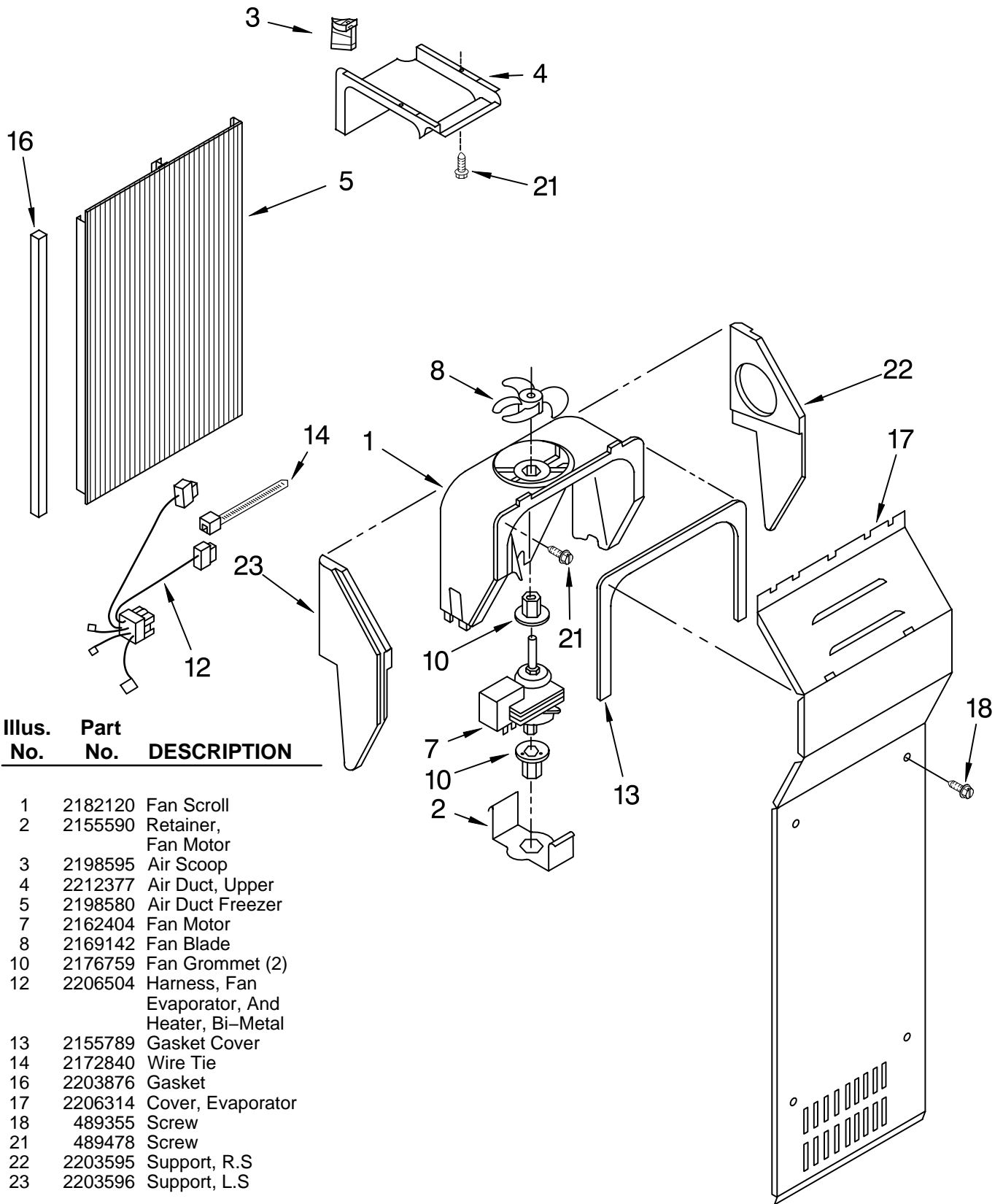
For Models: KSRG25FKSS01
(Stainless Steel)

Illus. No.	Part No.	DESCRIPTION
1		Housing, Dispenser (Not Serviced)
2	3196165	Screw
3	2194719	Retainer, Levers
4	2180209	Spring, Torsion
5	2196195	Pin
6	2180352	Door, Ice
7	2206423	Door Mechanism Assembly
8	2205686	Mechanism Delay
9	2206670B	Grille, Overflow Black
10	2209718	Water Fitting Assembly (Includes Water Tube)
11		Lever, Ice Dispenser
	2180261	Black (Storm Grey Pad)
12	2180224	Guide, Ice
13	2180200	Lamp Holder
14	2162361	Switch (4)
15	2183771	Bracket, Control
16	3406124	Bulb, Light
17		Lever, Water Dispenser
	2180270	Black (Storm Grey Pad)
18		Switch Assembly (Not Available Order #23)
19		Overlay, Front Cover (Not Available, Order #23)
20	2198622	Wire Assembly
21		Front Cover, Housing (Not Available, Order #23)
22	489000	Screw
23		Front Cover Assembly (Includes Items 18, 19, 20 & 21)
	2207333B	Black
25	2195051	Strain Relief

FOR ORDERING INFORMATION REFER TO PARTS PRICE LIST

AIR FLOW PARTS

For Models: KSRG25FKSS01
(Stainless Steel)

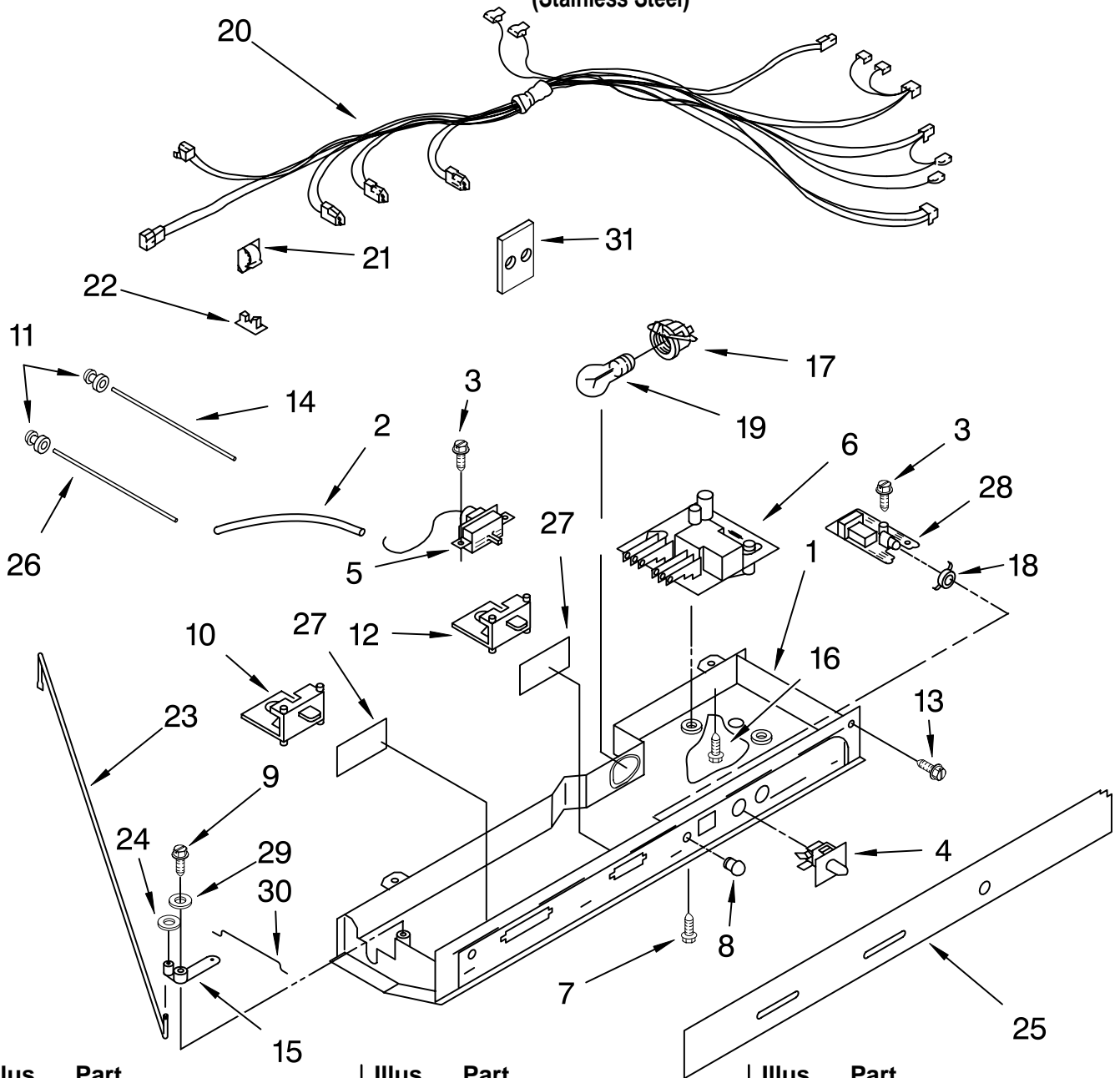


Illus. No.	Part No.	DESCRIPTION
1	2182120	Fan Scroll
2	2155590	Retainer, Fan Motor
3	2198595	Air Scoop
4	2212377	Air Duct, Upper
5	2198580	Air Duct Freezer
7	2162404	Fan Motor
8	2169142	Fan Blade
10	2176759	Fan Grommet (2)
12	2206504	Harness, Fan Evaporator, And Heater, Bi-Metal
13	2155789	Gasket Cover
14	2172840	Wire Tie
16	2203876	Gasket
17	2206314	Cover, Evaporator
18	489355	Screw
21	489478	Screw
22	2203595	Support, R.S
23	2203596	Support, L.S

FOR ORDERING INFORMATION REFER TO PARTS PRICE LIST

CONTROL PARTS

For Models: KSRG25FKSS01
(Stainless Steel)



Illus. No.	Part No.	DESCRIPTION
1	2181738	Control Box
2	2196001	Tube Barrier, Thermostat
3	489214	Screw (3)
4	2149705	Light Switch
5	2161282	Thermostat
6	2188159	Adaptive Defrost Control
7	489398	Screw (2)
8	2200096	Cover, Light Lens
9	627068	Screw
10	2181741	Slide, Air Control

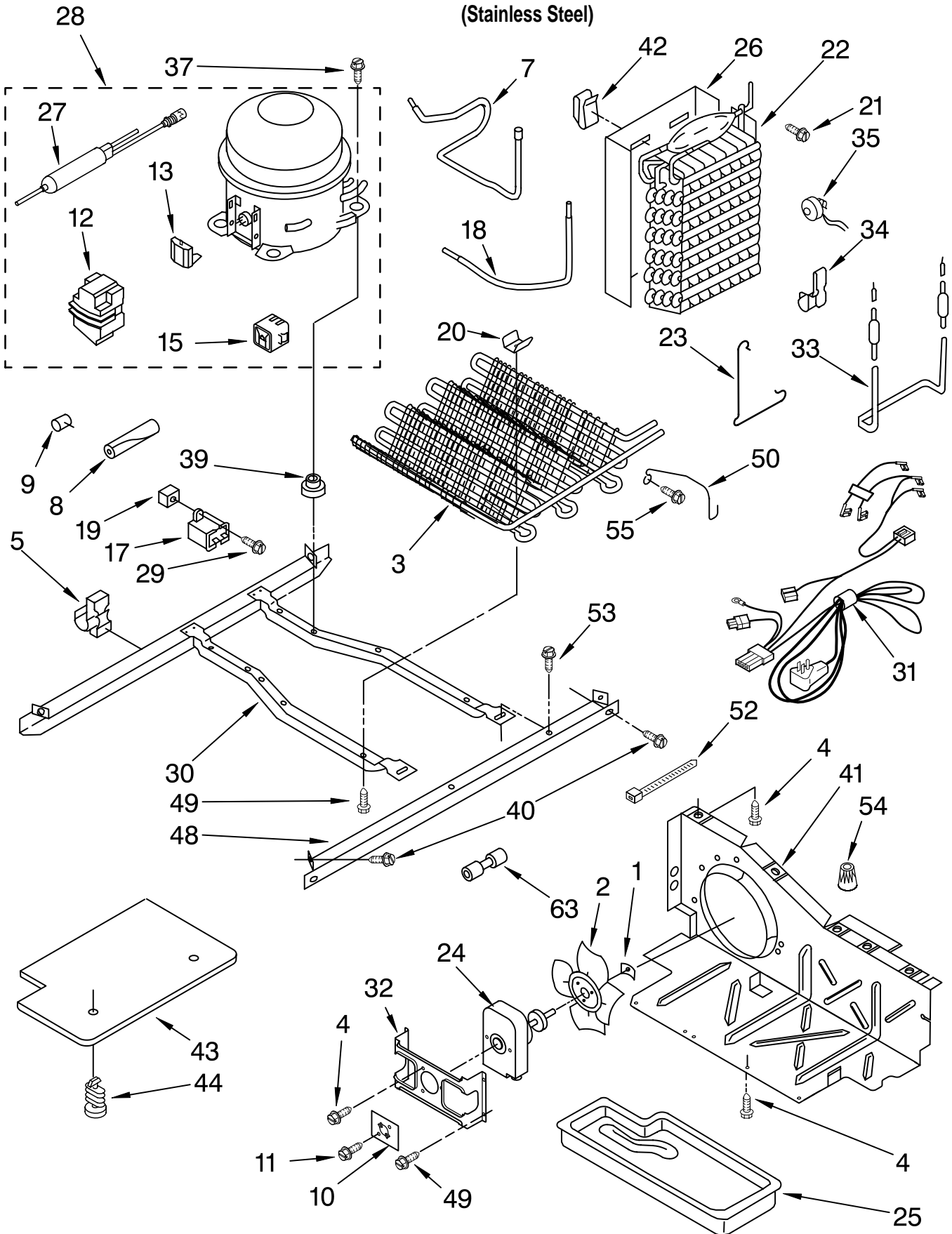
Illus. No.	Part No.	DESCRIPTION
11	2172906	Grommet, Light Bar
12	2161466	Slide, Thermostat
13	489084	Screw (2)
14	2179920	Light Bar (RC)
15	2161306	Arm, Pivot
16	489290	Screw (2)
17	2162085	Light Socket
18	2200097	Retainer, Light Lens
19	527949	Light Bulb
20	2211318	Control Box Harness
21	1115374	Clip, Wiring

Illus. No.	Part No.	DESCRIPTION
22	1115375	Clip, Wiring
23	2161308	Connecting Rod
24	489391	Fastener, Push-On
25	2211959	Escutcheon, Control Box
26	2179921	Light Bar (FC)
27	2175513	Window
28	2203384	P.C. Board Filter Indicator
29	489203	Spring, Washer
30	2161307	Connecting Rod (Short)
31	2172931	Heat Shield

FOR ORDERING INFORMATION REFER TO PARTS PRICE LIST

UNIT PARTS

For Models: KSRG25FKSS01
(Stainless Steel)



FOR ORDERING INFORMATION REFER TO PARTS PRICE LIST

UNIT PARTS

For Models: KSRG25FKSS01
(Stainless Steel)

Illus. No.	Part No.	DESCRIPTION
1	486692	Speed Nut
2	2190685	Fan, Blade
3	2204484	Condenser Assembly
4	489464	Screw
5	2208280	Clip, Wire
7	2204239	Tube Suction
8	2161302	Sleeve
9	2158826	Dampener
10	2206006	Bracket, Insert
11	8281160	Screw
12	4387731	Cover (Service Compressor Only)
13	4387835	Overload, (Service, includes Relay)
15	2212194	Start Device, Combination (Start Relay and Overload) for Production Compressor
17	2169373 4387764	Capacitor (Production) (Service)
18	2211760	Tube, Condenser to Heat Loop
19	509812	Screw Grommet
20	2216914	Clip, Condenser
21	489478	Screw
22	2209611	Evaporator
23	2161324	Clamp
24	2206005	Fan, Motor

Illus. No.	Part No.	DESCRIPTION
25	1105523	Tray, Evaporator
26	2149294	Heat Shield
27	2199167	Drier
28	2212192	Compressor (Includes Items 12, 13, 15, 17, 27 & 38) (Also Order 876765 Tube Kit)
29	488687	Screw
30	2157397	Unit Mounting Frame
31	2216411	Unit, Harness
32	2181929	Fan, Motor Bracket
33	2188175	Heater, Defrost
34	2161330	Clip
35	2196155	Bi-Metal, Defrost
37	489473	Screw
39	2183042	Grommet (4)
40	489340	Screw
41	2196202	Air Baffle
42	2155547	Clip, Heat Shield
43	2206281	Unit Cover, Bottom
44	489396	Clip
48	1127911	Unit Mounting Rail
49	8281232	Screw
50	2186495	Guard, Fan
52	2172840	Strap
53	489427	Screw
54	227991	Wire Connector
55	488649	Screw
63	2209709	Connector, Water Tube

Illus. No.	Part No.	DESCRIPTION
Following Parts Not Illustrated and Optional Parts Not Included		
	978025	Valve, Access (1/4")
	978026	Valve, Access (5/16")
	978027	Valve, Access (3/8")
	978028	Valve, Access (1/2")
	978029	Valve, Access (5/8")
	978030	Valve, Access (3/4")
	876764	Valve, Access (3/16")

REFRIGERANT CHARGE

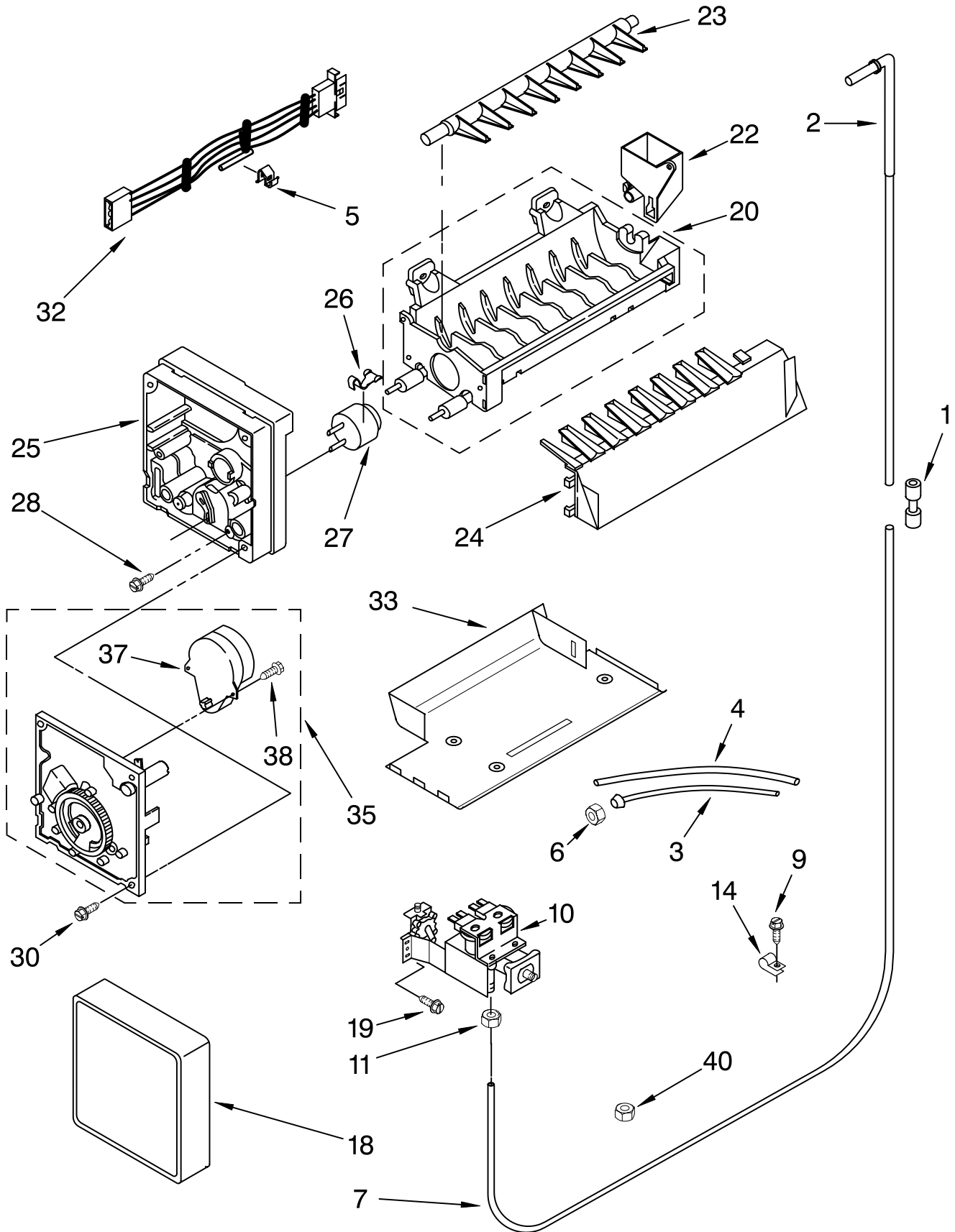
5.00 oz.
(R-134A)



FOR ORDERING INFORMATION REFER TO PARTS PRICE LIST

ICEMAKER PARTS

For Models: KSRG25FKSS01
(Stainless Steel)



FOR ORDERING INFORMATION REFER TO PARTS PRICE LIST

ICEMAKER PARTS

For Models: KSRG25FKSS01
(Stainless Steel)

Illus. No.	Part No.	DESCRIPTION
1	2198677	Connector, Water Tube
2	2198578	Fitting, Water Tube
3	2186493	Tube, Filter Outlet
4	2186492	Tube, Filter Inlet
5	628379	Clip, Fuse
6	1129179	Nut, Compression
7	2211507	Tube, Water
9	489478	Screw
10	2205762	Valve, Solenoid
11	627018	Nut, Compression
14	489385	Tube Clamp
18	2174358	Cover
19	488649	Screw
20	628228	Mold & Heater Assembly (Also Order 542638)
22	628356	Cup, Water Fill
23	2194711	Ejector
24	2198598	Ice Striper
25	2194712	Support
26	627796	Retainer, Thermostat
27	628397	Thermostat (Also Order 542369 Cement Alumilastic)
28	489322	Screw
30	489276	Screw
32	2198599	Harness, Wiring
33	2212322	Bracket, Ice maker Mounting
35	628399	Module Assembly (Includes Items 37 & 38)
37	628398	Motor
38	489136	Screw
40	1129179	Nut, Compression

FOR ORDERING INFORMATION REFER TO PARTS PRICE LIST

PARTS NOT ILLUSTRATED

For Models: KSRG25FKSS01
(Stainless Steel)

Illus. No.	Part No.	DESCRIPTION	Illus. No.	Part No.	DESCRIPTION	Illus. No.	Part No.	DESCRIPTION
Parts Not Illustrated and Optional Parts (Not Included)			Miscellaneous			Refinishing Material		
Customer Touch-Up Material			212643		Sealer, Gum (4 Feet)	799340		Enamel, Black (1 Qt. Uncut)
*350942		Primer, White (13 Oz. Spray Can)	479502		Tape, Vinyl (3/4 x 108")	799344		Enamel, White (1 Qt. Uncut)
*350939		Enamel, Black (13 Oz. Spray Can)	876370		Kit, Insulation (2 Pcs. x 3" x 24" X 48")	978883		Enamel, Almond (1 Qt. Uncut)
*350930		Enamel, White (13 Oz. Spray Can)	876305		Kit, Insulation (14 Pcs. x 3" x 24" x 48")	4392900		Enamel, Biscuit (1 Qt. Uncut)
*350956		Enamel, Almond (13 Oz. Spray Can)	978941		Insulation, Fiberglass (63-1/2" x 35-1/2" X 2-5/8)	TORX SCREW WRENCH		
*4392901		Enamel, Biscuit (13 Oz. Spray Can)	876029		Kit, Foam Slab (30" x 32-1/2" x 1-1/2")	1117510		Torx Key
72017		Brush Touch-Up Kit (White)	505587		Sealer, Mastic (1 Qt.)			
72107		Brush Touch-Up Kit (Almond)	503695		Cork, Sealer (1/4 Pound)			
72032		Brush Touch-up kit (Black)	511873		Touch-Up, White Porcelain (2 Oz.)			
4392899		Brush Touch-Up Kit (Biscuit)	542638		Grease, Silicone (1/2 Oz.)			
			542639		Cement, Alumilastic (1-1/4 Oz.)			
			606755		Bag, Insulation (36-5/8" x 46")			
			799833		Kit, Evaporator Repair (Aluminum Epoxy)			
			833938		Kit, Terminal Connector			
			2216051		Ice Container Assembly			
			2149072		Ice Crusher Mechanism Assembly			

***Caution:** The spray paint is not to be used where the paint may make contact with the door gaskets.

FOR ORDERING INFORMATION REFER TO PARTS PRICE LIST