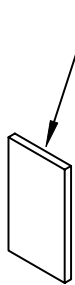
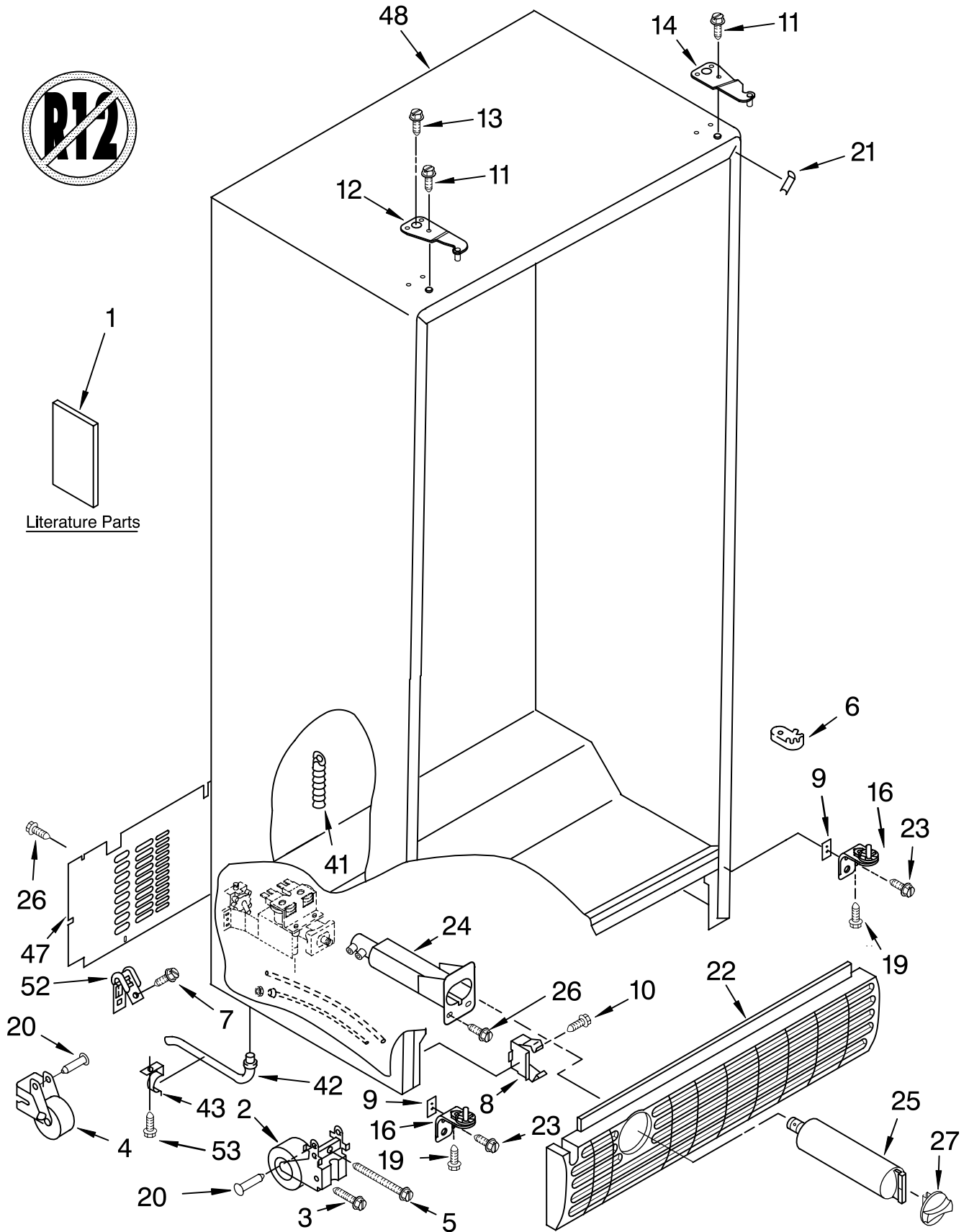


For Models: KSCS25FKWH02, KSCS25FKBT02, KSCS25FKBL02, KSCS25FKSS02
(White) (Biscuit) (Black) (Stainless Steel)



Literature Parts



FOR ORDERING INFORMATION REFER TO PARTS PRICE LIST

CABINET PARTS

For Models: KSCS25FKWH02, KSCS25FKBT02, KSCS25FKBL02, KSCS25FKSS02
 (White) (Biscuit) (Black) (Stainless Steel)

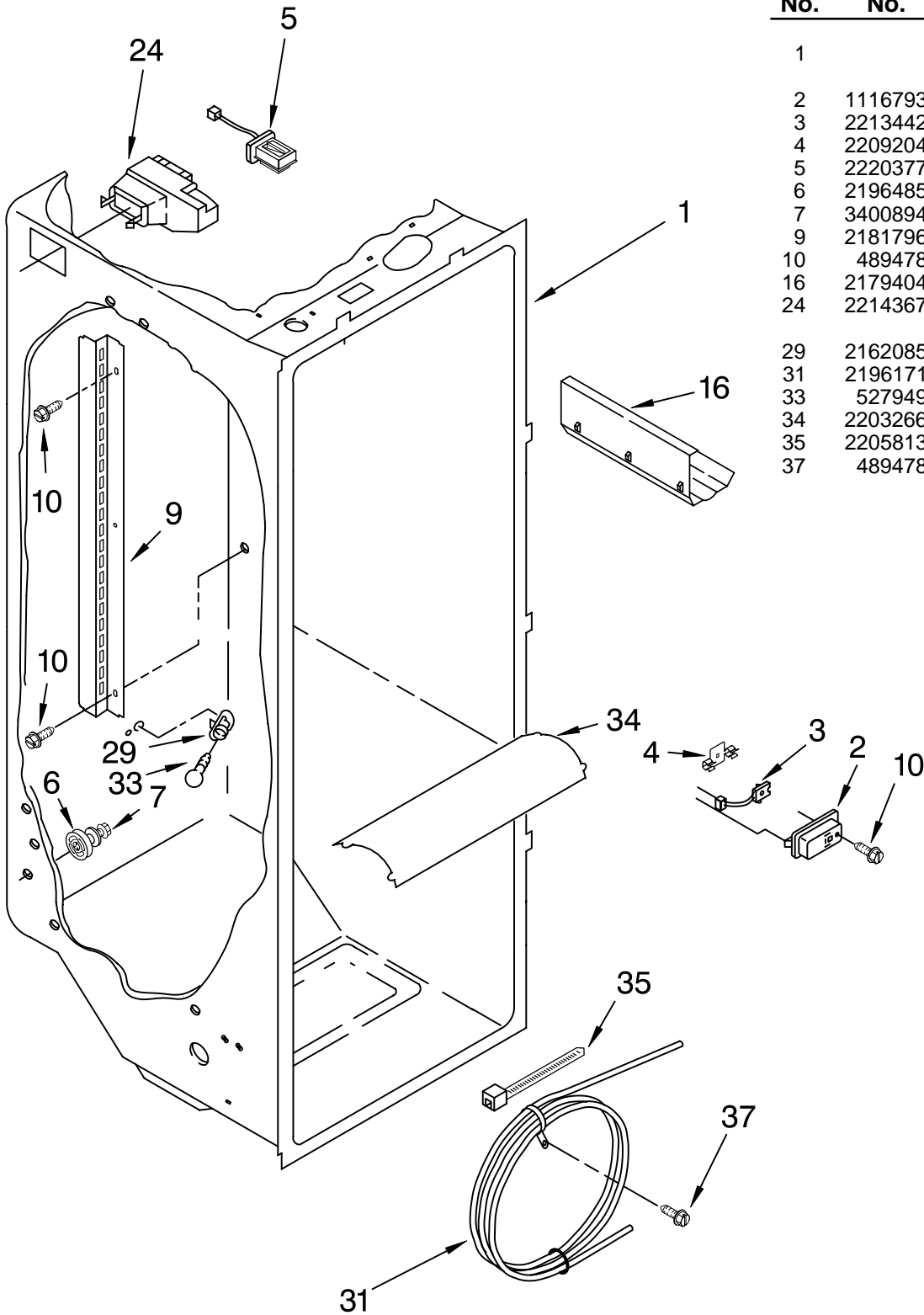
Illus. No.	Part No.	DESCRIPTION	Illus. No.	Part No.	DESCRIPTION	Illus. No.	Part No.	DESCRIPTION
LITERATURE PARTS								
1	LIT2221544	Use & Care Guide	11	3400108	Screw	23	3400113	Screw
	LIT2221548	Service & Wiring Sheet	12		Hinge Top, Left	24	2199840	Housing, Water Filter
	LIT2260953	Energy Label		2199935W	White	25	2203220	Water Filter
	LIT628370	Modular Ice maker Service Sheet		2199935T	Biscuit	26	489478	Screw
			13	3400858	Screw	27		Cap, Water Filter
2	2203007	Front Roller (2)	14		Hinge Top, Right		2186494W	White
3	3400512	Bolt		2203124W	White		2186494T	Biscuit
4	2203008	Roller (Rear) (2)		2203124T	Biscuit		2186494B	Black
5	3400511	Bolt	16	2208137	Hinge & Cam Assy	41	940139	Drain Fitting
6	2155311	Door Closer, Lower Cam	19	3400103	Screw	42	2199954	Extension Tube
7	489478	Screw	20	981126	Pin	43	1108439	Clip, Drain Tube
8	2209558	Clip	21		Filler, Wrapper	47	2214385	Cover, Unit
9	2156056	Shim		2203067W	White	48		Cabinet (Not A Serviceable Part)
10	3400515	Screw		2203067T	Biscuit	52	549193	Clamp, Service Cord
			22		Grille	53	489084	Screw
				2199904W	White			
				2199904T	Biscuit			
				2199904B	Black			

FOR ORDERING INFORMATION REFER TO PARTS PRICE LIST

REFRIGERATOR LINER PARTS

For Models: KSCS25FKWH02, KSCS25FKBT02, KSCS25FKBL02, KSCS25FKSS02
 (White) (Biscuit) (Black) (Stainless Steel)

Illus. No.	Part No.	DESCRIPTION
1		Liner (Not A Serviceable Part)
2	1116793	Cover, Thermistor
3	2213442	Thermistor
4	2209204	Clip, Thermistor
5	2220377	Air Baffle Assy
6	2196485	Stud, Assembly
7	3400894	Screw
9	2181796	Ladder, Shelf
10	489478	Screw
16	2179404	Rack, Wine & Egg
24	2214367	Air Diffuser Assembly
29	2162085	Socket
31	2196171	Reservoir
33	527949	Light Bulb
34	2203266	Light Lens
35	2205813	Strap
37	489478	Screw



FOR ORDERING INFORMATION REFER TO PARTS PRICE LIST

REFRIGERATOR SHELF PARTS

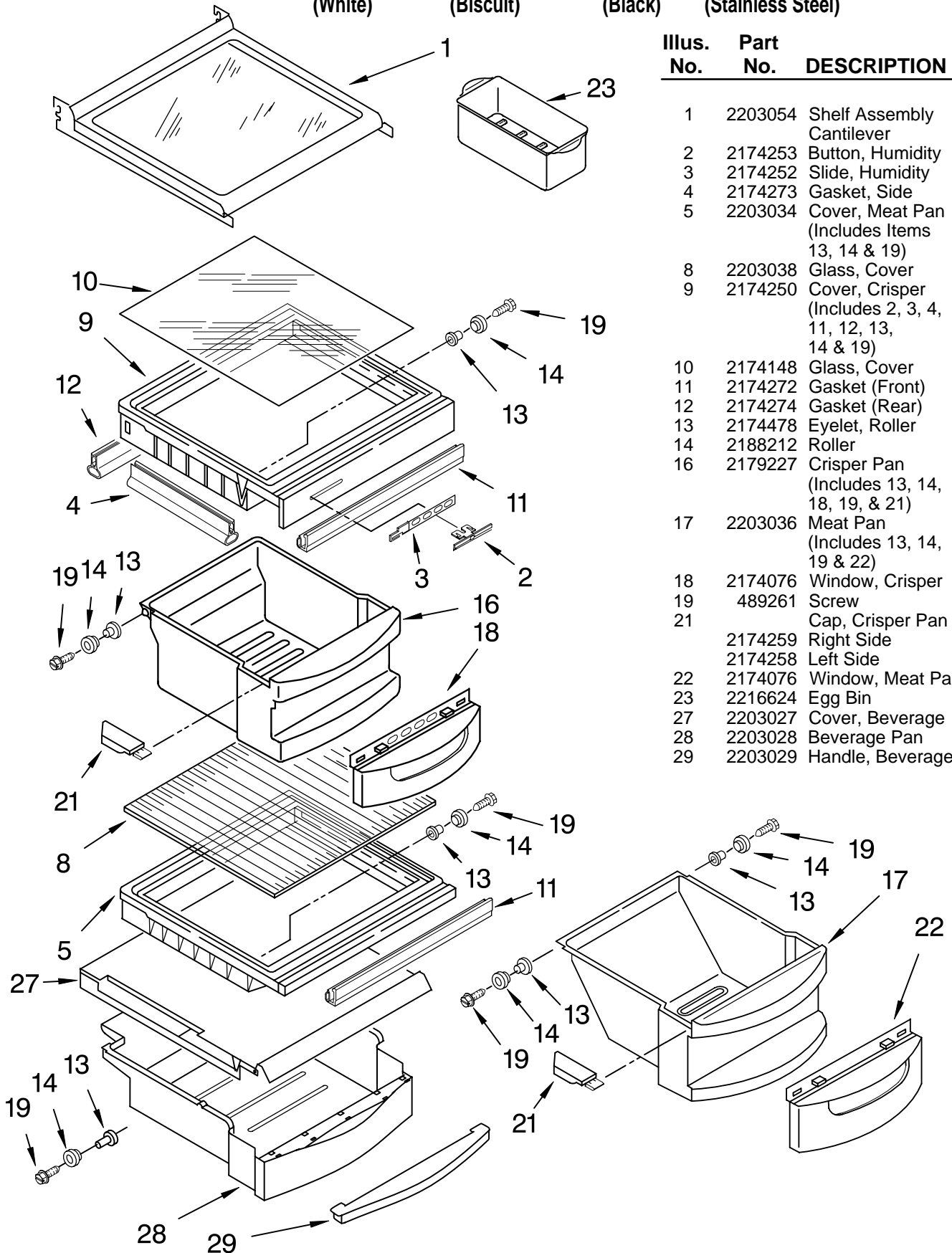
For Models: KSCS25FKWH02, KSCS25FKBT02, KSCS25FKBL02, KSCS25FKSS02

(White)

(Biscuit)

(Black)

(Stainless Steel)

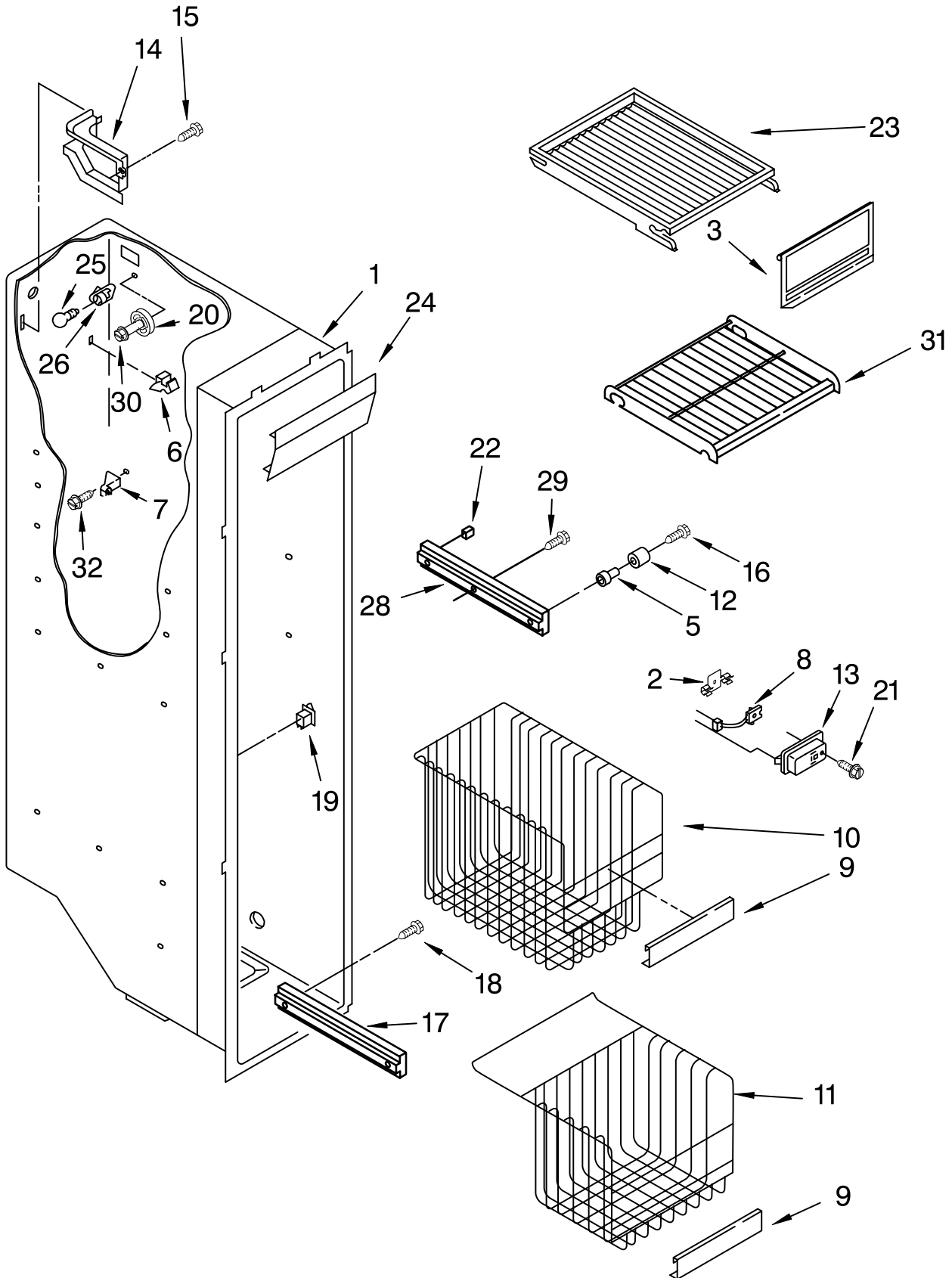


Illus. No.	Part No.	DESCRIPTION
1	2203054	Shelf Assembly Cantilever
2	2174253	Button, Humidity
3	2174252	Slide, Humidity
4	2174273	Gasket, Side
5	2203034	Cover, Meat Pan (Includes Items 13, 14 & 19)
8	2203038	Glass, Cover
9	2174250	Cover, Crisper (Includes 2, 3, 4, 11, 12, 13, 14 & 19)
10	2174148	Glass, Cover
11	2174272	Gasket (Front)
12	2174274	Gasket (Rear)
13	2174478	Eyelet, Roller
14	2188212	Roller
16	2179227	Crisper Pan (Includes 13, 14, 18, 19, & 21)
17	2203036	Meat Pan (Includes 13, 14, 19 & 22)
18	2174076	Window, Crisper
19	489261	Screw
21	2174259	Cap, Crisper Pan Right Side
	2174258	Left Side
22	2174076	Window, Meat Pan
23	2216624	Egg Bin
27	2203027	Cover, Beverage
28	2203028	Beverage Pan
29	2203029	Handle, Beverage

FOR ORDERING INFORMATION REFER TO PARTS PRICE LIST

FREEZER LINER PARTS

For Models: KSCS25FKWH02, KSCS25FKBT02, KSCS25FKBL02, KSCS25FKSS02
(White) (Biscuit) (Black) (Stainless Steel)



FOR ORDERING INFORMATION REFER TO PARTS PRICE LIST

FREEZER LINER PARTS

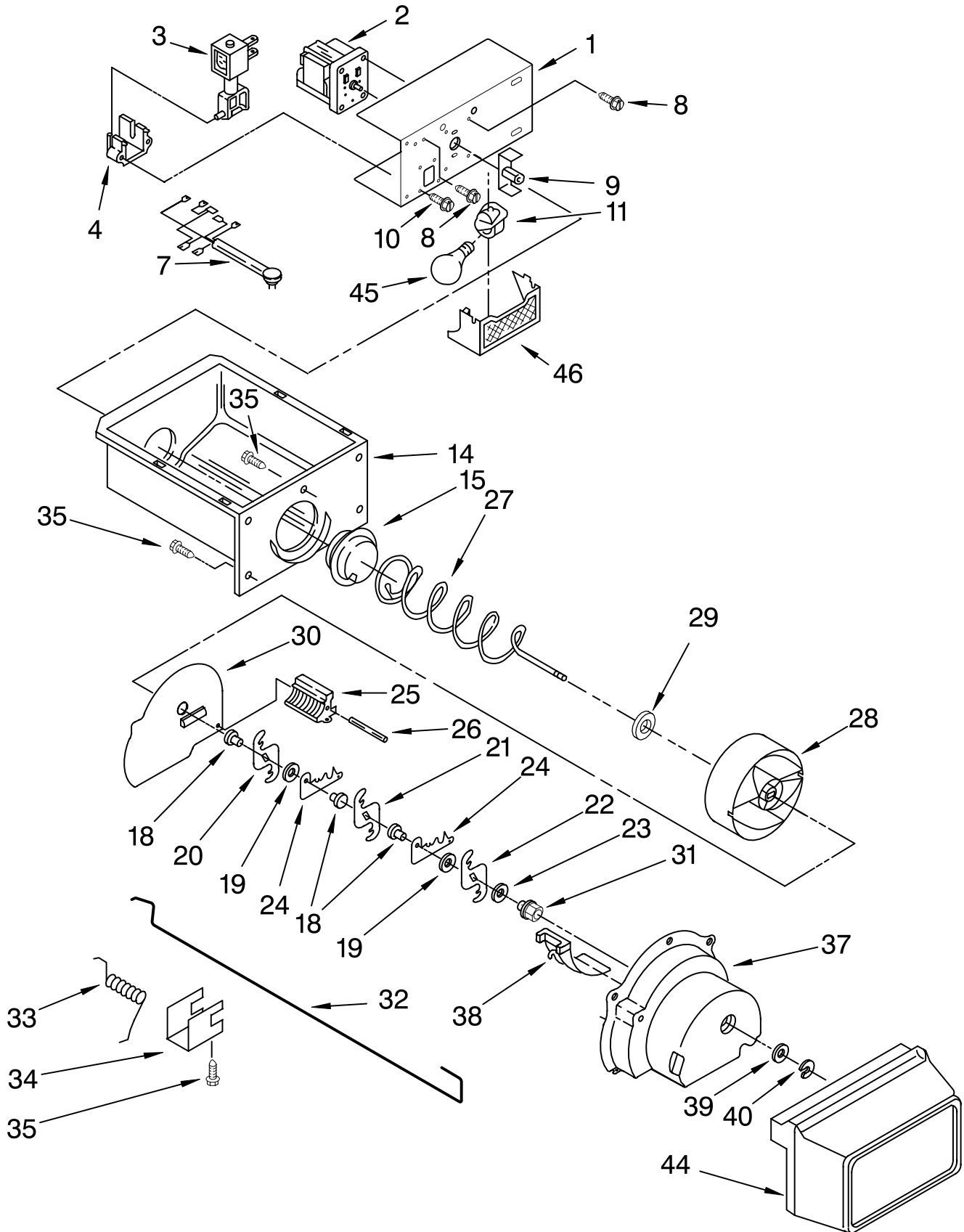
For Models: KSCS25FKWH02, KSCS25FKBT02, KSCS25FKBL02, KSCS25FKSS02
 (White) (Biscuit) (Black) (Stainless Steel)

Illus. No.	Part No.	DESCRIPTION
1		Liner (Not A Serviceable Part)
2	2209204	Clip, Thermistor
3	2199860	Door, Ice Compartment
5	2174478	Eyelet, Roller
6	842534	Clip, Air Duct (2)
7	2196206	Support, Stud (4)
8	2213442	Thermistor
9	2199867	Trim, Basket
10	2199863	Basket (2)
11	2199892	Basket, Shallow
12	2188212	Roller
13	1116793	Cover, Thermistor
14	2203111	Wiring Cover
15	489464	Screw
16	489211	Screw
17		Slide, Basket
	2208198	Right Side (2)
	2208197	Left Side (2)
18	489355	Screw
19	1115373	Switch, Rocker Arm
20	2196483	Stud (12)
21	489478	Screw
22	1113169	Stop, Roller
23	2209533	Shelf, Top Compartment
24	2199965	Light Lens
25	527949	Light Bulb
26	2162085	Light Socket
28		Slide, Container
	2002721	Left Side
	2002720	Right Side
29	2003478	Screw
30	8281158	Screw (12)
31	2199861	Shelf
32	3400893	Screw (4)

FOR ORDERING INFORMATION REFER TO PARTS PRICE LIST

MOTOR AND ICE CONTAINER PARTS

For Models: KSCS25FKWH02, KSCS25FKBT02, KSCS25FKBL02, KSCS25FKSS02
 (White) (Biscuit) (Black) (Stainless Steel)



FOR ORDERING INFORMATION REFER TO PARTS PRICE LIST

MOTOR AND ICE CONTAINER PARTS

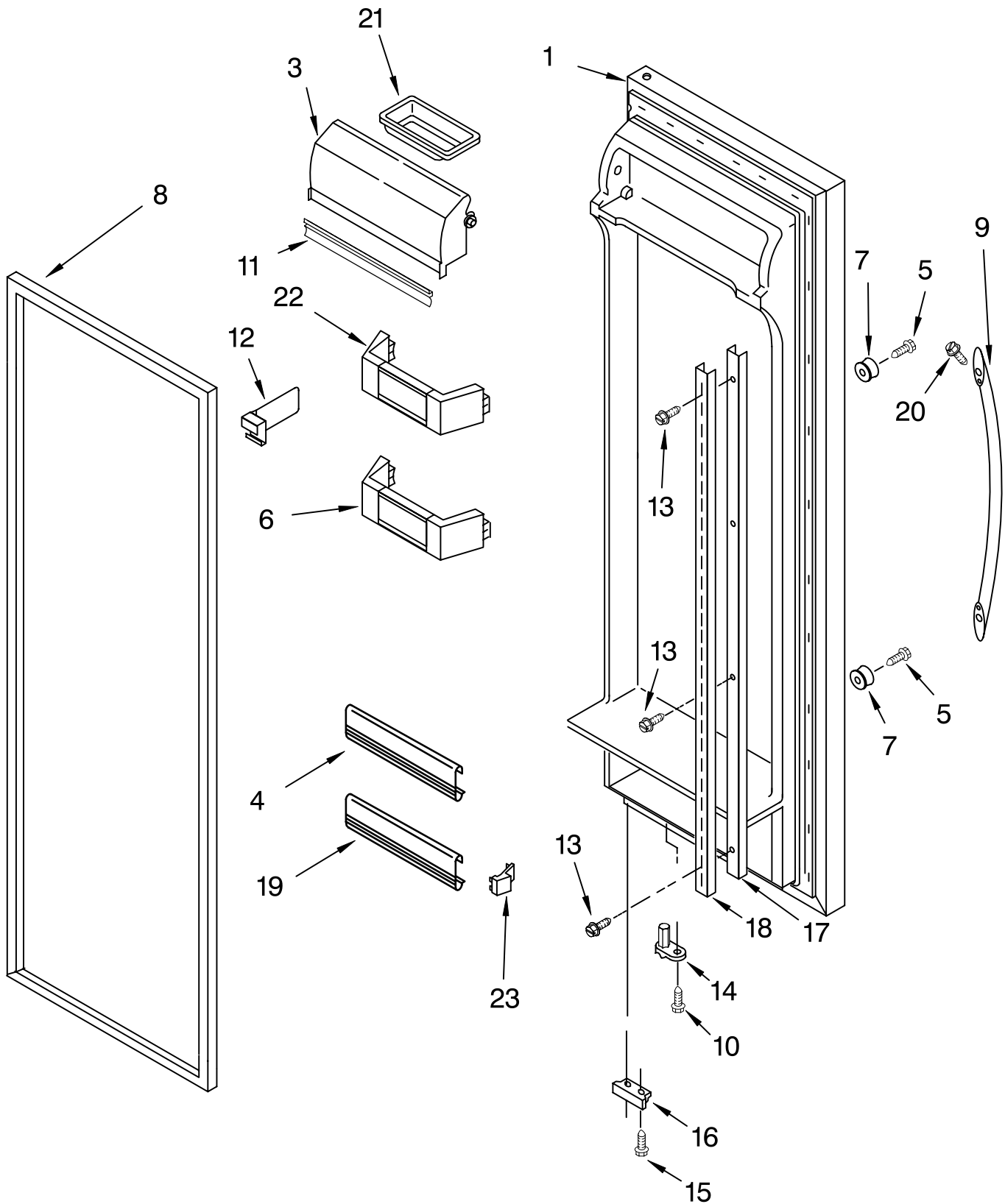
For Models: KSCS25FKWH02, KSCS25FKBT02, KSCS25FKBL02, KSCS25FKSS02
 (White) (Biscuit) (Black) (Stainless Steel)

Illus. No.	Part No.	DESCRIPTION
1	2214579	Bracket, Motor
2	2188385	Motor, Dispenser
3	2152713	Solenoid Assembly
4	2149100	Guide, Solenoid
7	2206503	Wiring Assembly, Ice Dispenser
8	489399	Screw
9	2205716	Coupling, Motor
10	489355	Screw
11	2162085	Socket, Light
14	2199895	Ice Container
15	983668	Coupling, Conveyor
18	1119005	Spacer, Step (3)
19	1119007	Spacer, Flat (2)
20	1119006	Blade, Rotary
21	1119012	Blade, Rotary
22	1119013	Blade, Rotary
23	489235	Washer, Plain
24	1119009	Blade, Fixed (2)
25	2157405	Block, Blade
26	489229	Roll Pin
27	2160602	Conveyor
28	2196194	Drum
29	3400912	Washer
30	2171682	Floating Baffle
31	1119018	Nut, Bearing
32	2002728	Control Arm
33	1119020	Spring, Return
34	1119021	Retainer Clip, Rod
35	488886	Screw
37	2180348	Housing, Crusher
38	1119017	Deflector, Ice
39	489234	Washer, Plain
40	489236	Retainer Ring
44	2199913	Front Cover, Ice Container
45	527949	Light Bulb
46	2171706	Light Lens, Dispenser

FOR ORDERING INFORMATION REFER TO PARTS PRICE LIST

REFRIGERATOR DOOR PARTS

For Models: KSCS25FKWH02, KSCS25FKBT02, KSCS25FKBL02, KSCS25FKSS02
(White) (Biscuit) (Black) (Stainless Steel)



FOR ORDERING INFORMATION REFER TO PARTS PRICE LIST

REFRIGERATOR DOOR PARTS

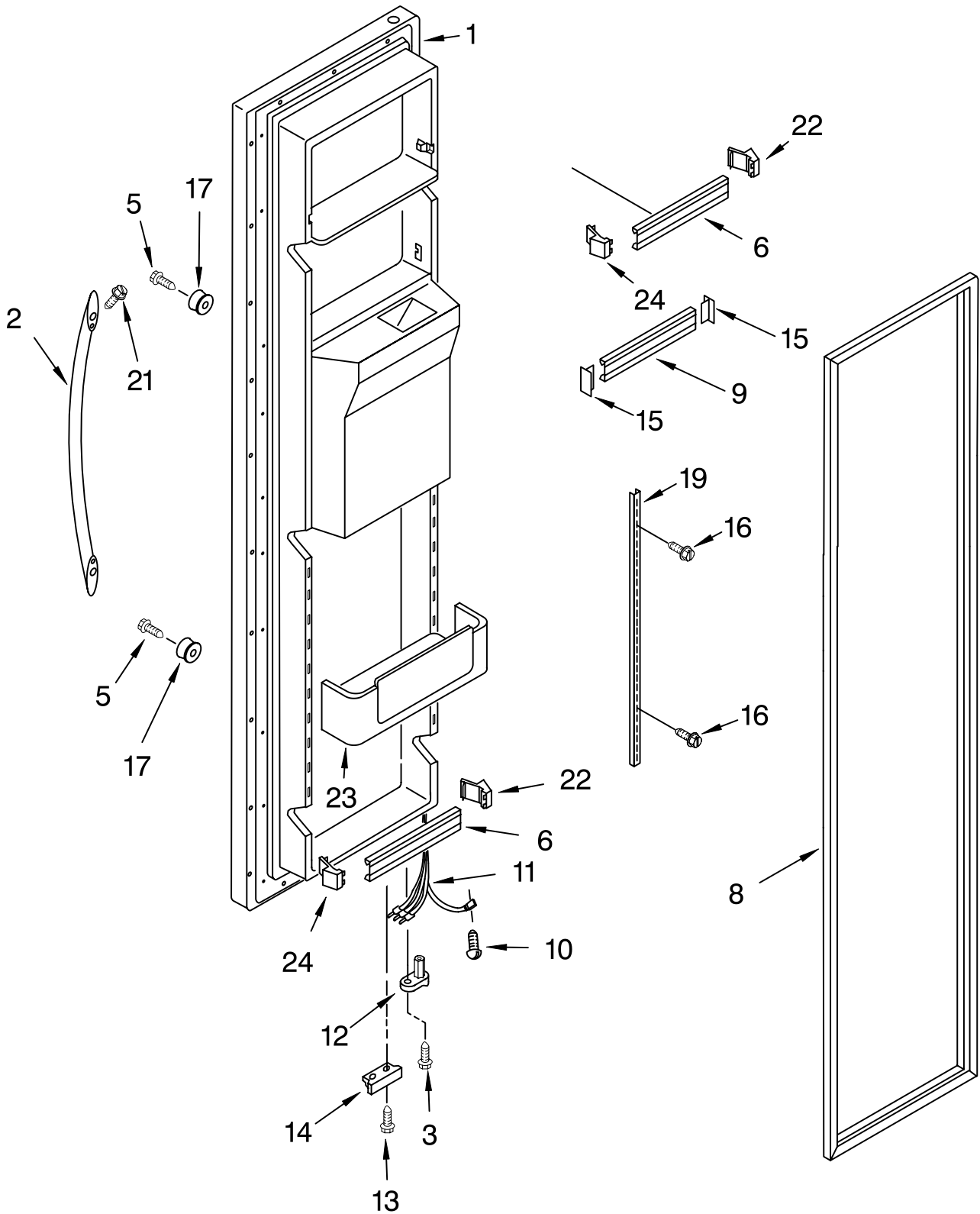
For Models: KSCS25FKWH02, KSCS25FKBT02, KSCS25FKBL02, KSCS25FKSS02
 (White) (Biscuit) (Black) (Stainless Steel)

Illus. No.	Part No.	DESCRIPTION
1		Refrigerator Door (Includes Item #8)
	2221551W	White
	2221551T	Biscuit
	2221551B	Black
	2214482S	Stainless Steel
3	2218122	Door, Compartment
4	2256010	Trim, Door Shelf
5	488208	Screw
6	2199986	Bin, Door
7	2203690	Stud, Handle
8		Door Gasket, Magnetic
	2221305	Mist Beige
	2221310	Black
9		Handle
	2188635W	White
	2188635T	Biscuit
	2188635B	Black
	2188635S	Stainless Steel
10	3400012	Screw
11	2159124	Gasket
12	2195497	Divider, Bin
13	8281210	Screw
14	2182179	Door Closer, Upper Cam
15	489420	Screw
16		Bracket, Door Stop
	2210774	Chrome
	2214451	Black
17	1113948	Retainer, Shelf Ladder (2)
18	1113949	Ladder, Shelf (2)
19	2203087	Trim, Door Shelf
20	98654	Screw
21	2165792	Butter Dish
22	2199983	Bin, Door (3)
23	2195916	Endcap (2)

FOR ORDERING INFORMATION REFER TO PARTS PRICE LIST

FREEZER DOOR PARTS

For Models: KSCS25FKWH02, KSCS25FKBT02, KSCS25FKBL02, KSCS25FKSS02
 (White) (Biscuit) (Black) (Stainless Steel)



FOR ORDERING INFORMATION REFER TO PARTS PRICE LIST

FREEZER DOOR PARTS

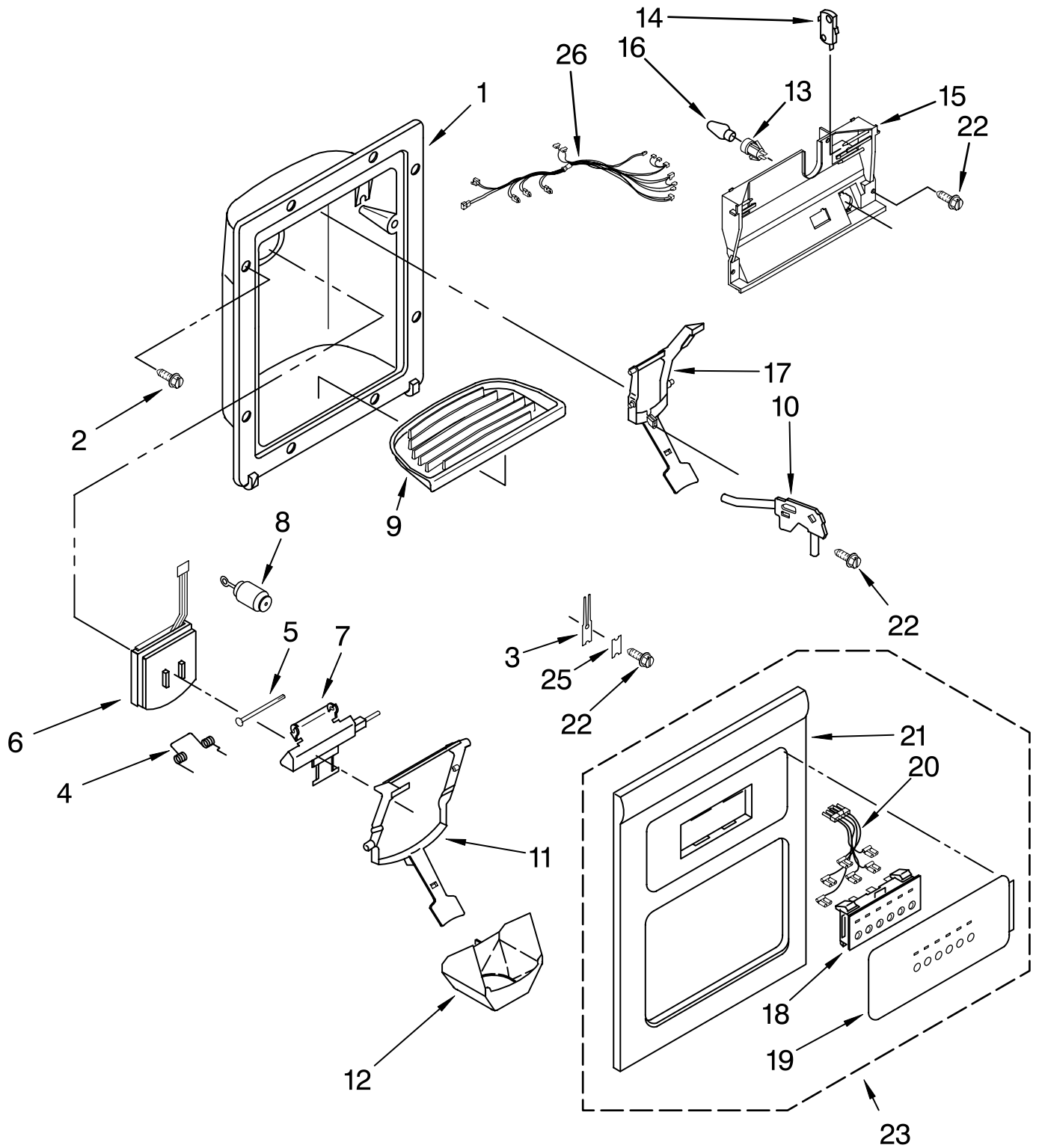
For Models: KSCS25FKWH02, KSCS25FKBT02, KSCS25FKBL02, KSCS25FKSS02
 (White) (Biscuit) (Black) (Stainless Steel)

Illus. No.	Part No.	DESCRIPTION
1		Freezer Door (Includes Item #8 And Dispenser Front Parts)
	2221555W	White
	2221555T	Biscuit
	2221555B	Black
	2214484S	Stainless Steel
2		Handle
	2188635W	White
	2188635T	Biscuit
	2188635B	Black
	2188635S	Stainless Steel
3	3400012	Screw
5	488208	Screw
6	2199990	Trim, Door Shelf
8		Door Gasket, Magnetic
	2221304	Mist Beige
	2221309	Black
9	2199991	Trim, Door Shelf
10	488500	Screw
11	2187667	Wiring Harness
12	2182179	Door Closer, Upper Cam
13	489420	Screw
14		Bracket, Door Stop
	2210774	Chrome
	2214451	Black
15	2156006	Plug, Trim
16	8281210	Screw
17	2203690	Stud, Handle
19	2208147	Ladder Shelf, Assembly (2)
21	98654	Screw
22	2195916	Endcap
23	2199992	Bin, Door (2)
24	2195917	Endcap

FOR ORDERING INFORMATION REFER TO PARTS PRICE LIST

DISPENSER FRONT PARTS

For Models: KSCS25FKWH02, KSCS25FKBT02, KSCS25FKBL02, KSCS25FKSS02
(White) (Biscuit) (Black) (Stainless Steel)



FOR ORDERING INFORMATION REFER TO PARTS PRICE LIST

DISPENSER FRONT PARTS

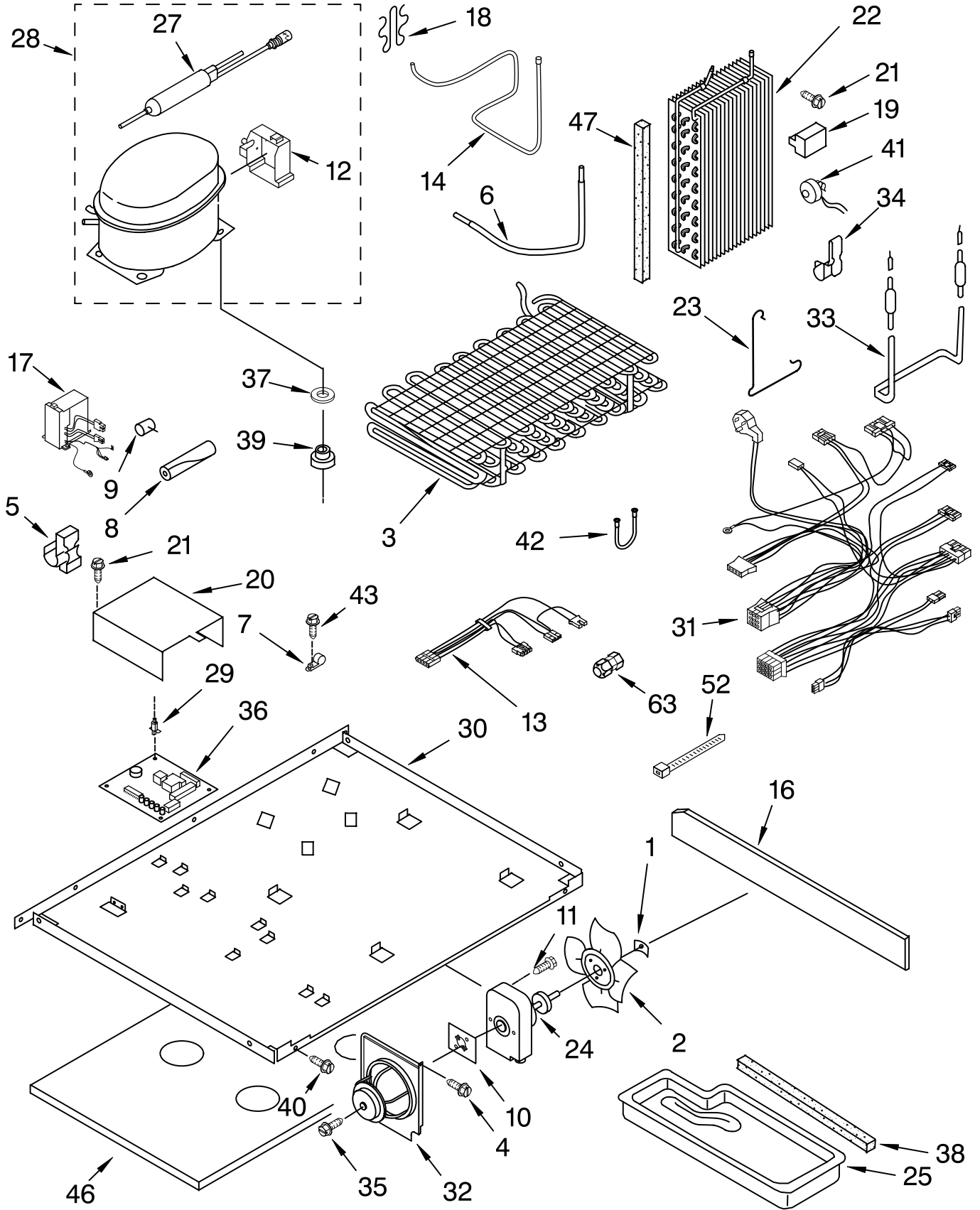
For Models: KSCS25FKWH02, KSCS25FKBT02, KSCS25FKBL02, KSCS25FKSS02
 (White) (Biscuit) (Black) (Stainless Steel)

Illus. No.	Part No.	DESCRIPTION
1		Housing, Dispenser (Not Serviced)
2	3369138	Screw
3	2194719	Retainer, Levers
4	2180209	Spring, Torsion
5	2196195	Pin
6	2180352	Door, Ice
7	2206423	Door Mechanism Assembly
8	2205686	Mechanism Delay
9		Grille, Overflow
	2180323	White
	2186860	Biscuit
	2180325	Black
10	2209718	Water Fitting Assembly (Includes Water Tube)
11		Lever, Ice Dispenser
	2180259	White
	2186850	Biscuit
	2180261	Black (Storm Grey Pad)
12	2180224	Guide, Ice
13	2180200	Lamp Holder
14	2162361	Switch (2)
15	2183771	Bracket, Control
16	3406124	Bulb, Light
17		Lever, Water Dispenser
	2180268	White
	2186852	Biscuit
	2180270	Black (Storm Grey Pad)
18		Switch Assembly (Not Available, Order #23)
19		Overlay, Front Cover (Not Available, Order #23)
20	2187409	Wire Assembly
21		Front Cover, Housing (Not Available, Order #23)
22	489000	Screw
23		Front Cover Assembly (Includes Items 18, 19, 20 & 21)
	2219823W	White
	2219823T	Biscuit
	2219823B	Black
25	2195051	Strain Relief
26	2203091	Wire Harness, Cntrl Mtg Bracket

FOR ORDERING INFORMATION REFER TO PARTS PRICE LIST

UNIT PARTS

For Models: KSCS25FKWH02, KSCS25FKBT02, KSCS25FKBL02, KSCS25FKSS02
 (White) (Biscuit) (Black) (Stainless Steel)



FOR ORDERING INFORMATION REFER TO PARTS PRICE LIST

UNIT PARTS

For Models: KSCS25FKWH02, KSCS25FKBT02, KSCS25FKBL02, KSCS25FKSS02
 (White) (Biscuit) (Black) (Stainless Steel)

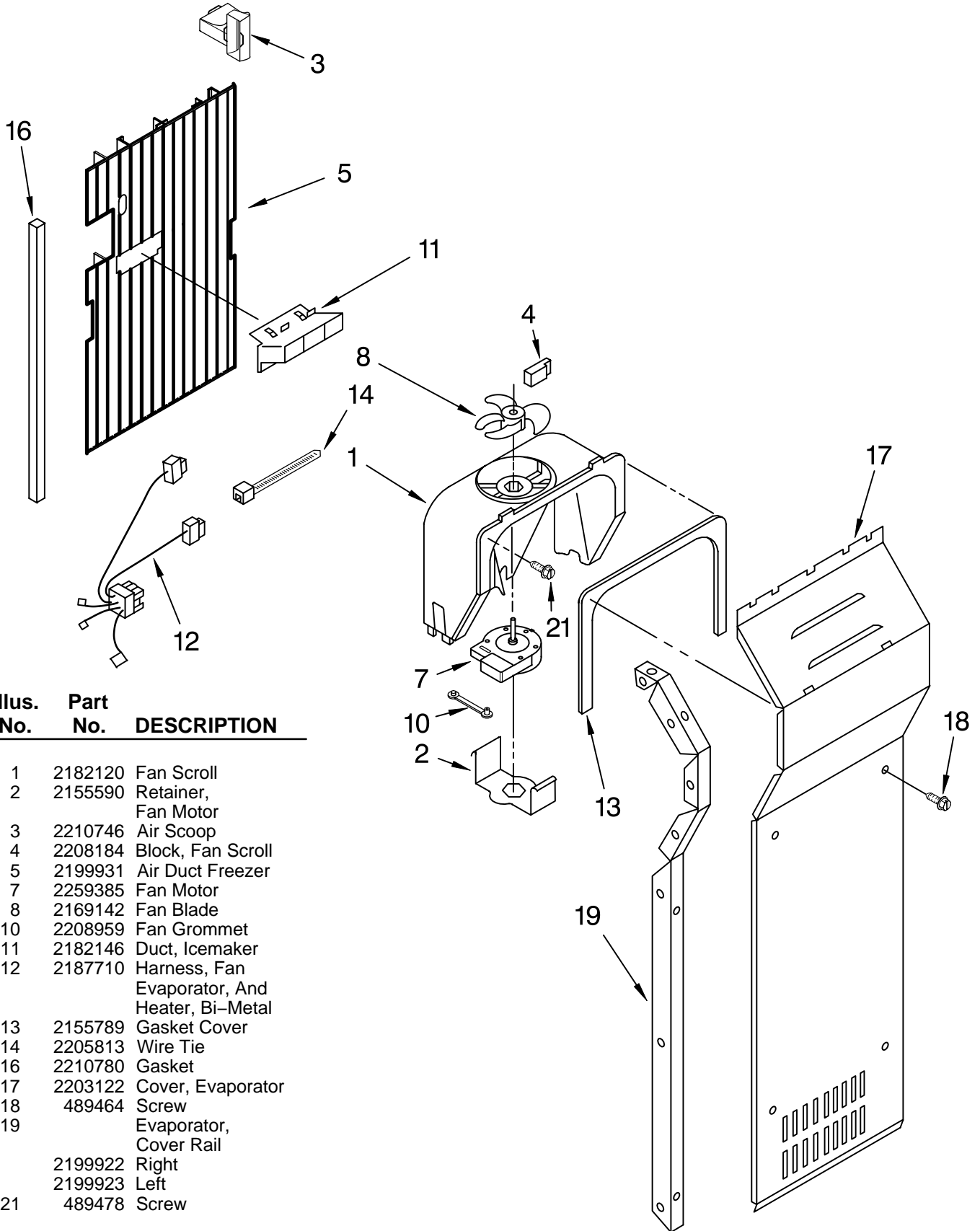
Illus. No.	Part No.	DESCRIPTION	Illus. No.	Part No.	DESCRIPTION	Illus. No.	Part No.	DESCRIPTION
1	486692	Speed Nut	25	1105523	Tray, Evaporator	Following Parts Not Illustrated and Optional Parts Not Included		
2	2190685	Fan, Blade	27	2199167	Drier			
3	2205983	Condenser Assembly	28	2223393	Compressor (Includes Items 12, & 27) (Also Order 876765 Tube Kit)			
4	489464	Screw	29	2203075	Spacer			
5	2208280	Clip, Wire	30	2223711	Unit Mounting Plate			
6	2214366	Tube, Condenser to Heat Loop	31	2187664	Harness, Main Control			
7	2185788	Clamp, Tube	32	2208157	Fan, Motor Bracket			
8	2161302	Sleeve	33	2210737	Heater, Defrost			
9	2158826	Dampener	34	2161330	Clip			
10	2210750	Bracket, Insert	35	8281196	Screw			
11	8281197	Screw	36	2252095	Board, Control	978025		Valve, Access (1/4")
12	2215676	Cover, Terminal	37	680975	Washer	978026		Valve, Access (5/16")
13	2187390	Unit Harness	38	2203876	Gasket	978027		Valve, Access (3/8")
14	2214365	Tube Suction	39	2163786	Grommet (4)	978028		Valve, Access (1/2")
15	2203020	Extension, Air Baffle	40	3400515	Screw	978029		Valve, Access (5/8")
16	2221559	Inverter Box	41	2196155	Bi-Metal, Defrost	978030		Valve, Access (3/4")
17	2163787	Clip, Compressor Mounting (4)	42	2199806	Tube, Heat Loop	876764		Valve, Access (3/16")
18	2208183	Block, Evaporator	43	489491	Screw	REFRIGERANT CHARGE 6.25 oz. (R-134A)		
19	2257354	Housing, Control Board	44	2223712	Insulation, Mounting Plate			
20	489478	Screw	45	2203160	Side Support			
21	2209611	Evaporator	46	2205813	Strap			
22	2161324	Clamp	47	2209709	Union			
23	2206036	Fan, Motor						
24								



FOR ORDERING INFORMATION REFER TO PARTS PRICE LIST

AIR FLOW PARTS

For Models: KSCS25FKWH02, KSCS25FKBT02, KSCS25FKBL02, KSCS25FKSS02
 (White) (Biscuit) (Black) (Stainless Steel)

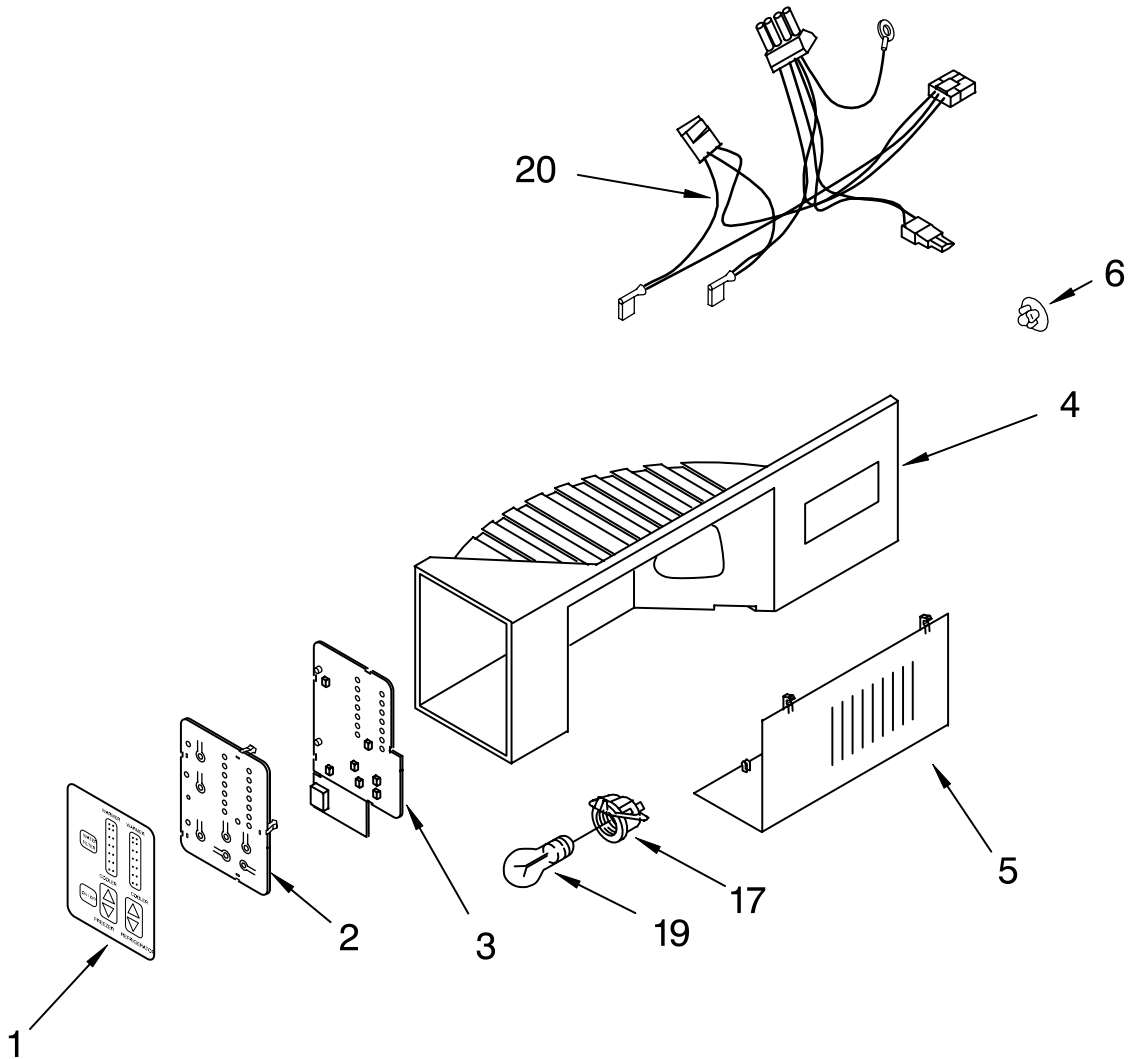


Illus. No.	Part No.	DESCRIPTION
1	2182120	Fan Scroll
2	2155590	Retainer, Fan Motor
3	2210746	Air Scoop
4	2208184	Block, Fan Scroll
5	2199931	Air Duct Freezer
7	2259385	Fan Motor
8	2169142	Fan Blade
10	2208959	Fan Grommet
11	2182146	Duct, Icemaker
12	2187710	Harness, Fan Evaporator, And Heater, Bi-Metal
13	2155789	Gasket Cover
14	2205813	Wire Tie
16	2210780	Gasket
17	2203122	Cover, Evaporator
18	489464	Screw
19	2199922	Right Evaporator, Cover Rail
	2199923	Left
21	489478	Screw

FOR ORDERING INFORMATION REFER TO PARTS PRICE LIST

CONTROL PARTS

For Models: KSCS25FKWH02, KSCS25FKBT02, KSCS25FKBL02, KSCS25FKSS02
 (White) (Biscuit) (Black) (Stainless Steel)

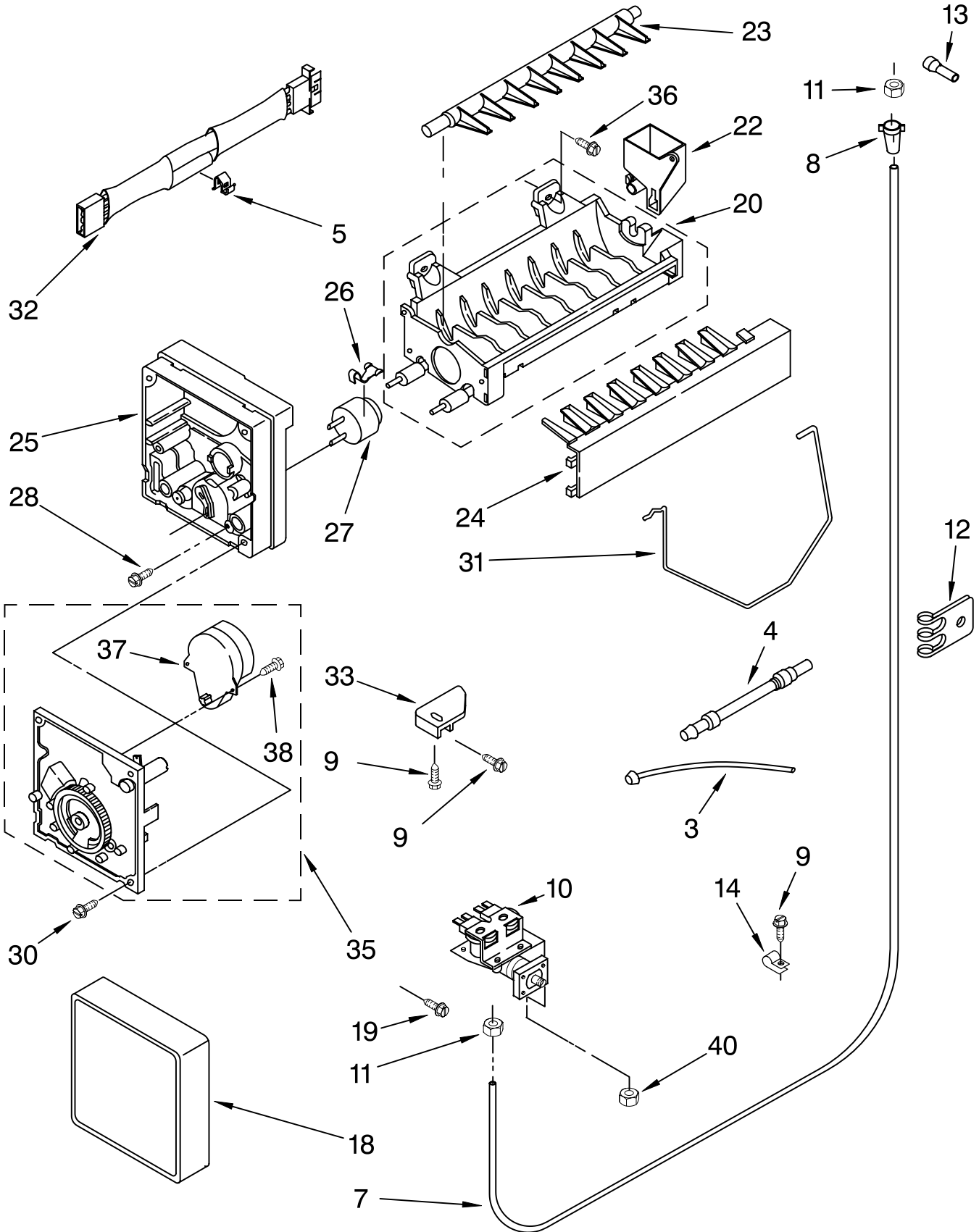


Illus. No.	Part No.	DESCRIPTION
1	2203081	Overlay
2	2221538	Retainer, Circuit Board
3	2214765	Circuit Board, Interface
4	2199717	Control Box
5	2203108	Light Lens
6	940014	Hole Plug
17	2162085	Light Socket
19	850166	Light Bulb
20	2214376	Control Box Harness

FOR ORDERING INFORMATION REFER TO PARTS PRICE LIST

ICEMAKER PARTS

For Models: KSCS25FKWH02, KSCS25FKBT02, KSCS25FKBL02, KSCS25FKSS02
 (White) (Biscuit) (Black) (Stainless Steel)



FOR ORDERING INFORMATION REFER TO PARTS PRICE LIST

ICEMAKER PARTS

For Models: KSCS25FKWH02, KSCS25FKBT02, KSCS25FKBL02, KSCS25FKSS02
 (White) (Biscuit) (Black) (Stainless Steel)

Illus. No.	Part No.	DESCRIPTION
3	2203127	Tube, Filter Outlet
4	2214613	Tube, Filter Inlet
5	628379	Clip, Fuse
7	2181940	Tube, Water
8	2181939	Insert, Tube
9	489478	Screw
10	2199838	Valve, Solenoid
11	627018	Nut, Compression
12	2208136	Clip, Water Tube
13	2203024	Tube, Water Inlet
14	488878	Tube Clamp
18	2174155	Cover
19	488649	Screw
20	628228	Mold & Heater Assembly (Also Order 542638)
22	628356	Cup, Water Fill
23	627843	Ejector
24	2182124	Ice Striper
25	2194712	Support
26	627796	Retainer, Thermostat
27	628397	Thermostat (Also Order 542369 Cement Alumilastic)
28	489322	Screw
30	489276	Screw
31	2209675	Shut Off Arm
32	2187464	Harness, Wiring
33	628320	Bracket
35	626653	Module Assembly (Includes Items 37 and 38)
36	488208	Screw
37	627811	Motor
38	489136	Screw
40	1129179	Nut, Compression
100	4317943	Complete Icemaker Assembly

FOR ORDERING INFORMATION REFER TO PARTS PRICE LIST

PARTS NOT ILLUSTRATED

For Models: KSCS25FKWH02, KSCS25FKBT02, KSCS25FKBL02, KSCS25FKSS02
 (White) (Biscuit) (Black) (Stainless Steel)

Illus. Part No. No. DESCRIPTION	Illus. Part No. No. DESCRIPTION	Illus. Part No. No. DESCRIPTION
Parts Not Illustrated and Optional Parts (Not Included)		
Customer Touch-Up Material		
*350942 Primer, White (12 Oz. Spray Can) *350939 Enamel, Black (12 Oz. Spray Can) *350930 Enamel, White (12 Oz. Spray Can) *4392901 Enamel, Biscuit (12 Oz. Spray Can) 72017 Brush Touch-Up Kit (White) 4392899 Brush Touch-Up Kit (Biscuit) 72032 Brush Touch-up Kit (Black)	<p style="text-align: center;">Miscellaneous</p> 212643 Sealer, Gum (4 Feet) 479502 Tape, Vinyl (3/4 x 108") 876370 Kit, Insulation (2 Pcs. x 3" x 24" X 48") 876305 Kit, Insulation (14 Pcs. x 3" x 24" x 48") 978941 Insulation, Fiberglass (63-1/2" x 35-1/2" X 2-5/8) 876029 Kit, Foam Slab (30" x 32-1/2" x 1-1/2") 505587 Sealer, Mastic (1 Qt.) 503695 Cork, Sealer (1/4 Pound) 511873 Touch-Up, White Porcelain (2 Oz.) 542638 Grease, Silicone (1/2 Oz.) 542639 Cement, Alumilastic (1-1/4 Oz.) 606755 Bag, Insulation (36-5/8" x 46") 799833 Kit, Evaporator Repair (Aluminum Epoxy) 833938 Kit, Terminal Connector 2199894 Ice Contianer Assembly 2160606 Ice Crusher Mechanism Assembly 2006783 Cleaner, Stainless Steel, 2 Oz.	<p style="text-align: center;">Refinishing Material</p> 799340 Enamel, Black (1 Qt. Uncut) 799344 Enamel, White (1 Qt. Uncut) 4392900 Enamel, Biscuit (1 Qt. Uncut)
TORX SCREW WRENCH		
1117510 Torx Key		

***Important:** The spray paint is not to be used where the paint may make contact with the door gaskets.

FOR ORDERING INFORMATION REFER TO PARTS PRICE LIST