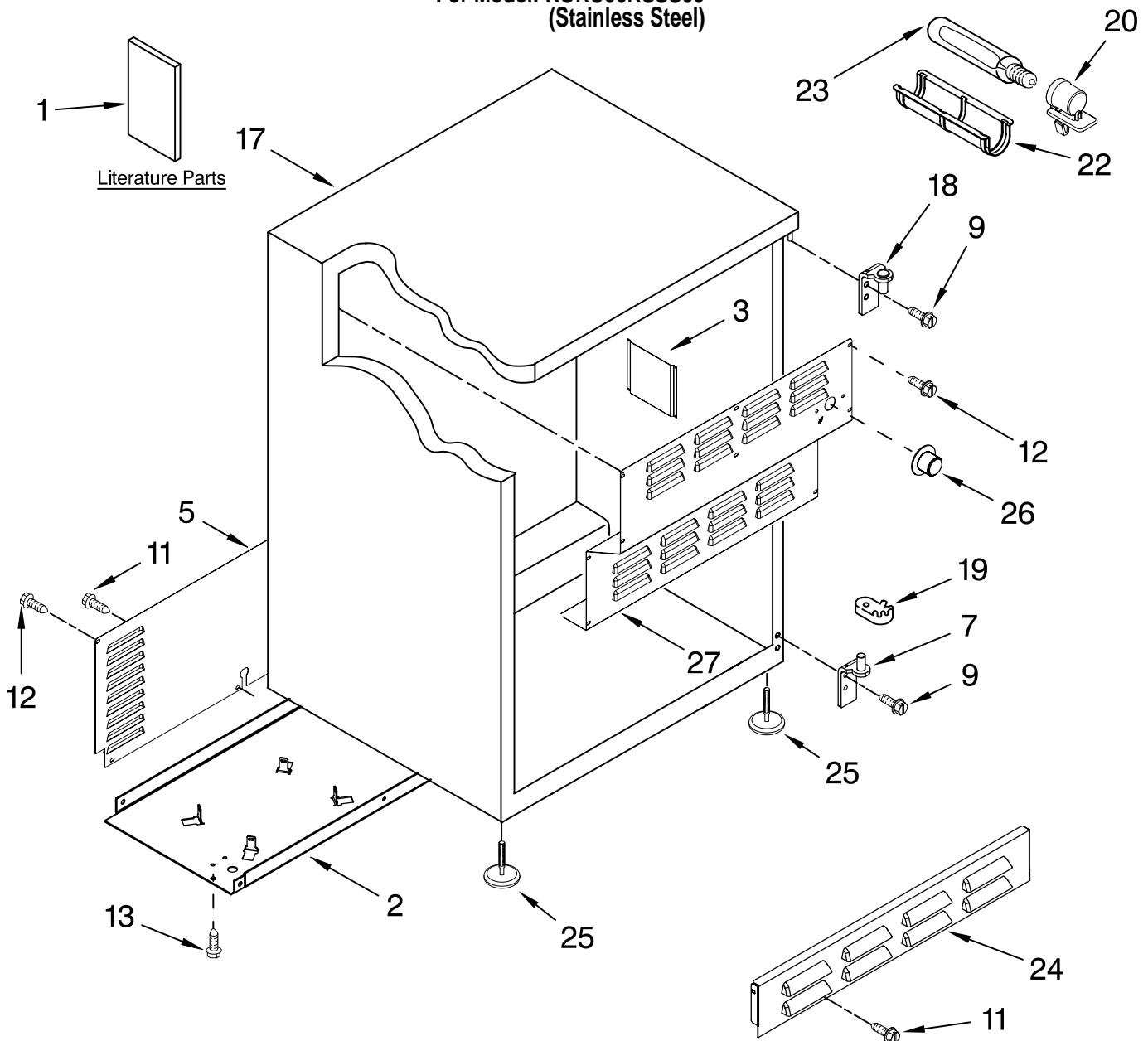


For Model: KORU06RSS00
(Stainless Steel)



| Illus. No. | Part No. | DESCRIPTION |
|------------|----------|-------------------------|
| 1 | 2319106 | Literature Parts |
| | 2311008 | Energy Guide |
| | 2311029 | Use & Care Guide |
| | | Service & Wiring Sheet |
| 2 | 2311018 | Baseplate Assembly |
| 3 | 2311062 | Shield, Heater (2) |
| 5 | 2311019 | Cover, Unit Compartment |
| 7 | 2311016 | Hinge Asm, Bottom |

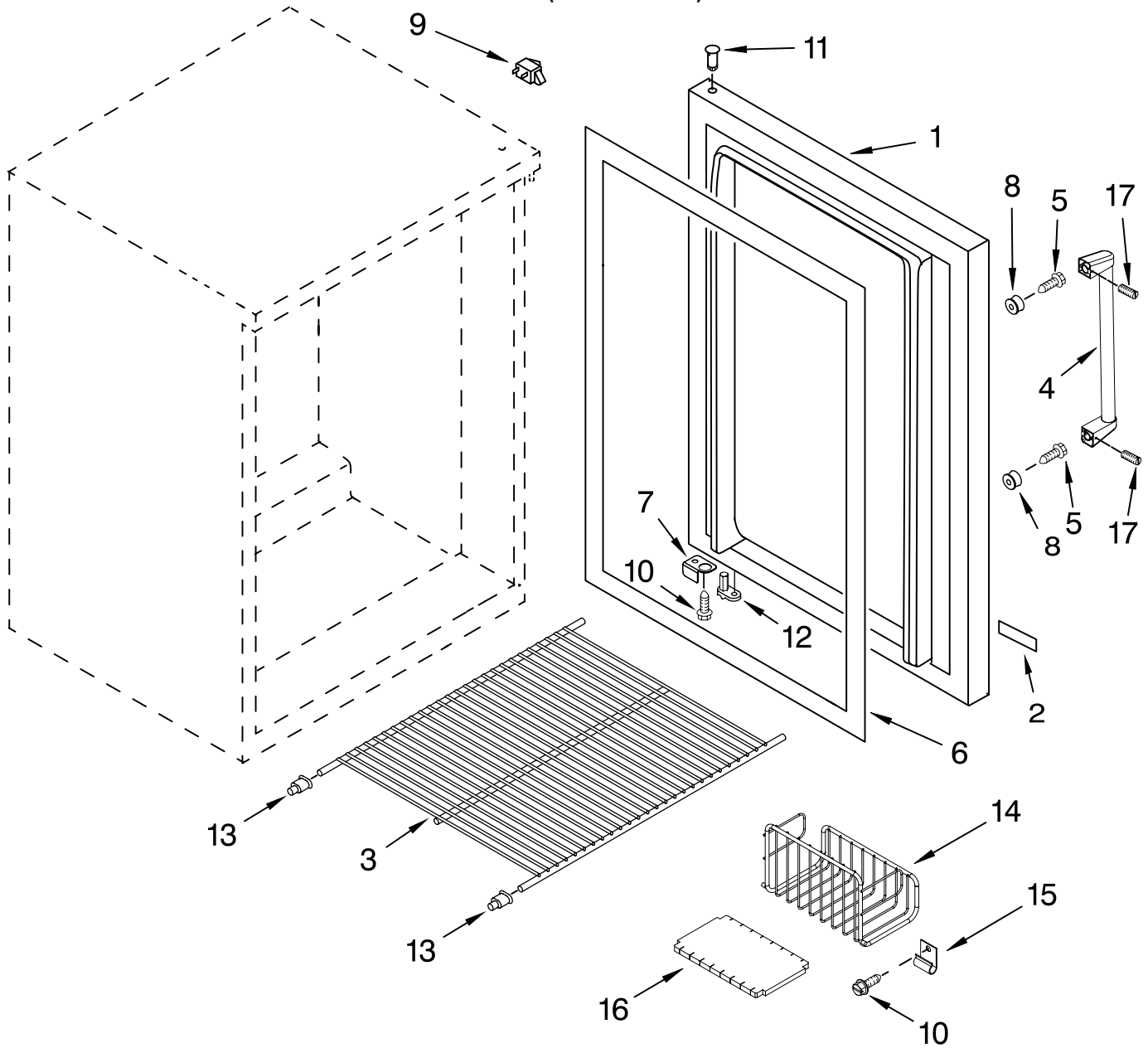
| Illus. No. | Part No. | DESCRIPTION |
|------------|----------|----------------------------------|
| 9 | 489282 | Screw |
| 11 | 3192294 | Screw |
| 12 | 8533833 | Screw (5) |
| 13 | 8534097 | Screw (4) |
| 17 | | Cabinet (Not A Serviceable Part) |
| 18 | 2311015 | Hinge Asm, Top |

| Illus. No. | Part No. | DESCRIPTION |
|------------|----------|-------------------|
| 19 | 2155311 | Closer, Door |
| 20 | 2223857 | Light Socket |
| 22 | 2311017 | Cover, Light |
| 23 | 547225 | Light Bulb |
| 24 | 2311053 | Panel, Unit |
| 25 | 2303615 | Leveling Pad (4) |
| 26 | 2303721 | Knob, Thermostat |
| 27 | 2311054 | Panel, Evaporator |

FOR ORDERING INFORMATION REFER TO PARTS PRICE LIST

DOOR AND SHELF PARTS

For Model: KORU06RSSS00
(Stainless Steel)



| Illus. No. | Part No. | DESCRIPTION |
|------------|-----------|---------------------------------|
| 1 | 2965118 | Door Assembly (Includes Gasket) |
| 2 | 2319107 | Nameplate |
| 3 | 2311014AS | Shelf, Wire (2) |
| 4 | 2319124 | Handle, Door Assy |
| 5 | 488163 | Screw |
| 6 | 2311057 | Gasket, Door |
| 7 | 2311061 | Bracket, Door Stop |
| 8 | 2219698 | Stud, Handle |
| 9 | 1115373 | Switch, Rocker Arm |

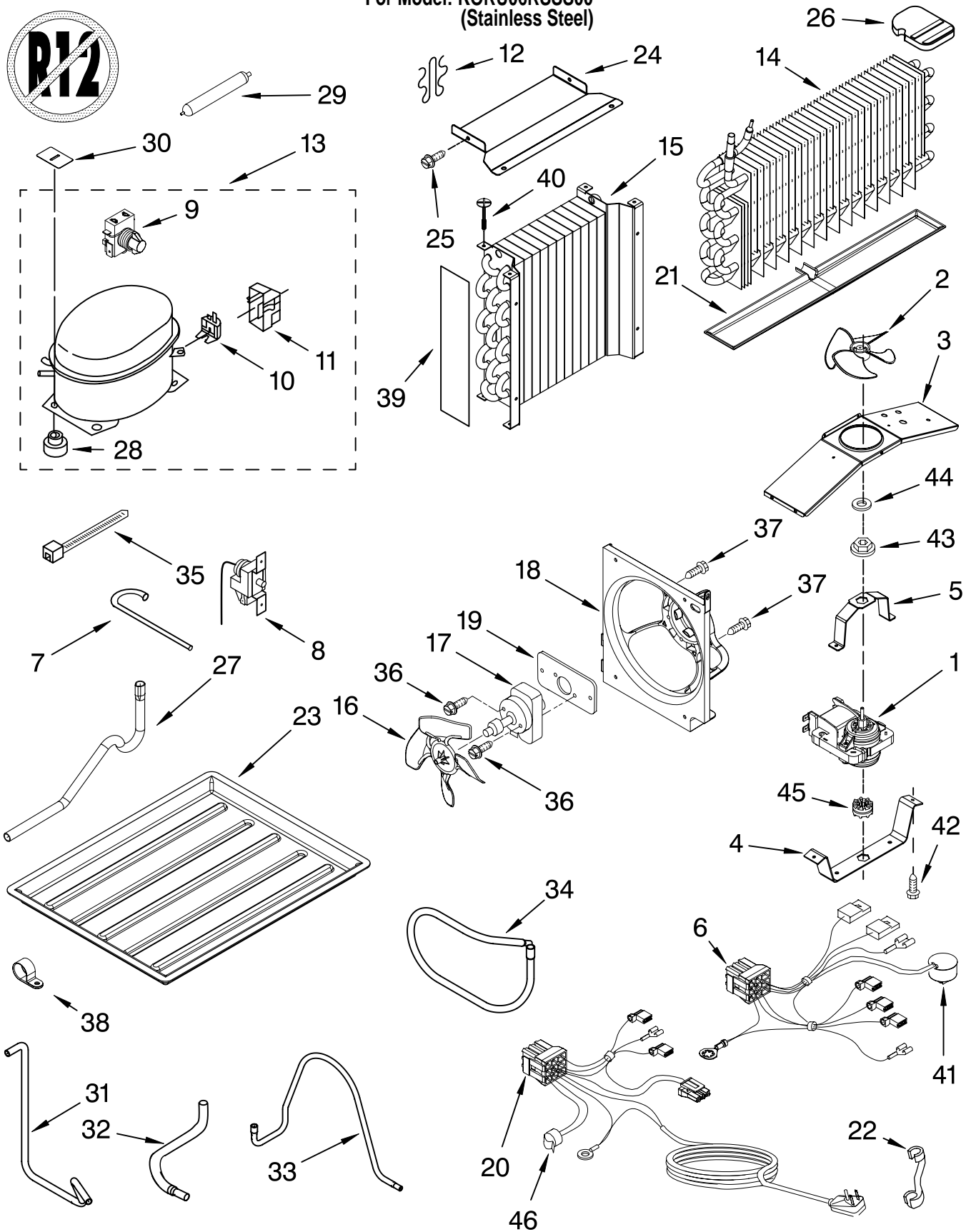
| Illus. No. | Part No. | DESCRIPTION |
|------------|-----------|---------------------------|
| 10 | 8533833 | Screw |
| 11 | 2183003 | Thimble |
| 12 | 2182178 | Door Closer, Upper Cam |
| 13 | 2163762 | Cup, Shelf Mtg. |
| 14 | 2311003AS | Basket, Door (2) |
| 15 | 2311001 | Clip, Basket Mounting (8) |
| 16 | 2311051 | Mat, Door Basket (2) |
| 17 | W10114271 | Screw, Set |

| Illus. No. | Part No. | DESCRIPTION |
|---|----------|----------------------------------|
| OPTIONAL PARTS NOT ILLUSTRATED | | |
| | 4396337 | Caster Kit (4) |
| | 8171420 | Cleaner, Stainless Steel (12 oz) |

FOR ORDERING INFORMATION REFER TO PARTS PRICE LIST

UNIT PARTS

For Model: KORU06RSS00
(Stainless Steel)



FOR ORDERING INFORMATION REFER TO PARTS PRICE LIST

UNIT PARTS

For Model: KORU06RSS00
(Stainless Steel)

| Illus. No. | Part No. | DESCRIPTION |
|------------|----------|---------------------------------------|
| 1 | 2188848 | Motor, Evap Fan |
| 2 | 2200509 | Blade, Fan |
| 3 | 2319130 | Panel, Evap Fan |
| 4 | 2303629 | Bracket, Mounting |
| 5 | 2214979 | Bracket, Front |
| 6 | 2187957 | Wire Harness, Evap Fan (Includes #41) |
| 7 | 2303751 | Tube, Barrier |
| 8 | 2303662 | Thermostat |
| 9 | 2303745 | Relay, Starting |
| 10 | 2303746 | Overload |
| 11 | 2208371 | Cover, Terminal |
| 12 | 2163787 | Clip, Compressor |
| 13 | 2303680 | Compressor (Includes 9, 10, 11 & 28) |
| 14 | 2319104 | Evaporator |
| 15 | 2303647 | Condenser Asm |
| 16 | 2225834 | Blade, Fan (Condenser) |

| Illus. No. | Part No. | DESCRIPTION |
|------------|----------|-----------------------------------|
| 17 | 2188729 | Motor, Evap Fan |
| 18 | 2303740 | Bracket, Fan Mounting |
| 19 | 2301979 | Plate, Mounting |
| 20 | 2310035 | Wire Harness, Unit (Includes #38) |
| 21 | 2303618 | Drain Pan, Evaporator |
| 22 | 9872015 | Strain Relief |
| 23 | 2311063 | Drain Pan |
| 24 | 2311058 | Cover, Condenser Fan |
| 25 | 8533833 | Screw |
| 26 | 2201185 | Support Block |
| 27 | 2303782 | Tube, Defrost Drain |
| 28 | 2163786 | Grommet |
| 29 | 2319825 | Drier Assembly |
| 30 | 2311056 | Washer (4) |
| 31 | 2303630 | Tube, Discharge |

| Illus. No. | Part No. | DESCRIPTION |
|------------|----------|------------------------|
| 32 | 2155648 | Tube, Process |
| 33 | 2303634 | Tube, Condenser Out |
| 34 | 2303632 | Tube, Suction Lower |
| 35 | 2205813 | Strap |
| 36 | 8281197 | Screw |
| 37 | 8281196 | Screw |
| 38 | 2303763 | Clamp, Cord |
| 39 | 2303783 | Shield, Bi-Metal |
| 40 | 2262032 | Clip, Tree (2) |
| 41 | 2303775 | Bi-Metal, Defrost |
| 42 | 8534048 | Screw (2) |
| 43 | 2197380 | Grommet (2) |
| 44 | 2006252 | Washer (2) |
| 45 | 531933 | Grommet (2) |
| 46 | 2254101 | Bi-Metal, Liner Heater |

REFRIGERANT CHARGE

4.75
(R-134)

FOR ORDERING INFORMATION REFER TO PARTS PRICE LIST