

KitchenAid® Bottom Mount Refrigerator

HOME APPLIANCES

PRODUCT MODEL NUMBERS

KBFC42FT	KBLS36FT
KBFO42FT	KBRC36FT
KBLC36FT	KBRO36FT
KBLO36FT	KBRS36FT

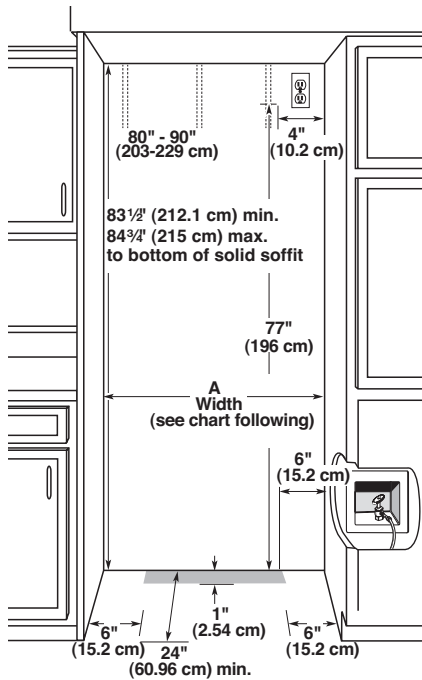
Electrical: A 115 Volt, 60 Hz., AC only 15- or 20-amp fused, grounded electrical supply is required. It is recommended that a separate circuit serving only your refrigerator be provided. Use an outlet that cannot be turned off by a switch. Do not use an extension cord.

Water Supply: A cold water supply with water pressure of between 30 and 120 psi (207 - 827 kPa) is required to operate the water dispenser and ice maker. If you have questions about your water pressure, call a licensed, qualified plumber.

If a reverse osmosis water filtration system is connected to your cold water supply, the water pressure to the reverse osmosis system needs to be a minimum of 40 to 60 psi (276 - 414 kPa).

Do not install the refrigerator near an oven, radiator, or other heat source, nor in a location where the temperature will fall below 55°F.

CABINET OPENING DIMENSIONS

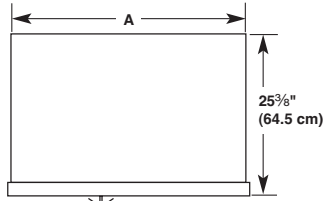


Model	Width A (as shown above)
36	35½" (90.2 cm)
42	41½" (105.4 cm)

NOTE: Flooring under refrigerator must be at same level as room.

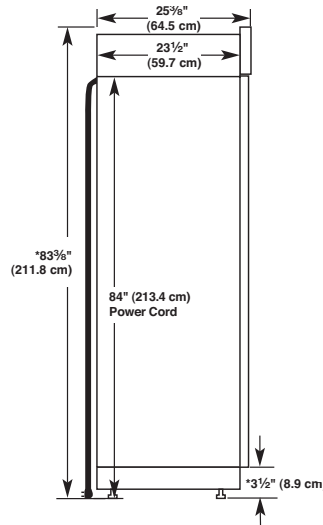
OVERALL DIMENSIONS

TOP VIEW



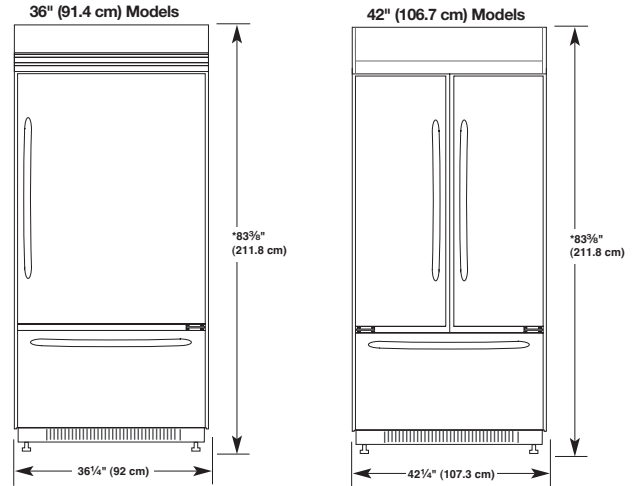
Model	Width A
36	35¼" (89.5 cm)
42	41¼" (105 cm)

SIDE VIEW



- Height dimensions are shown with the leveling legs extended to 1/8" (3 mm) below the rollers.
- The power cord is 84" (213 cm) long.

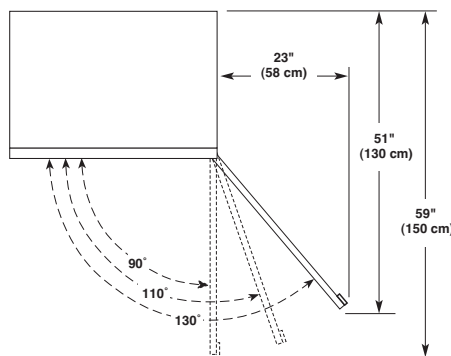
FRONT VIEW



*When leveling legs are fully extended to 1¼" (3.2 cm) below rollers, add 1½" (2.9 cm) to the height dimensions.

DOOR SWING DIMENSIONS

36" (91.4 cm) Models



42" (106.7 cm) Models

