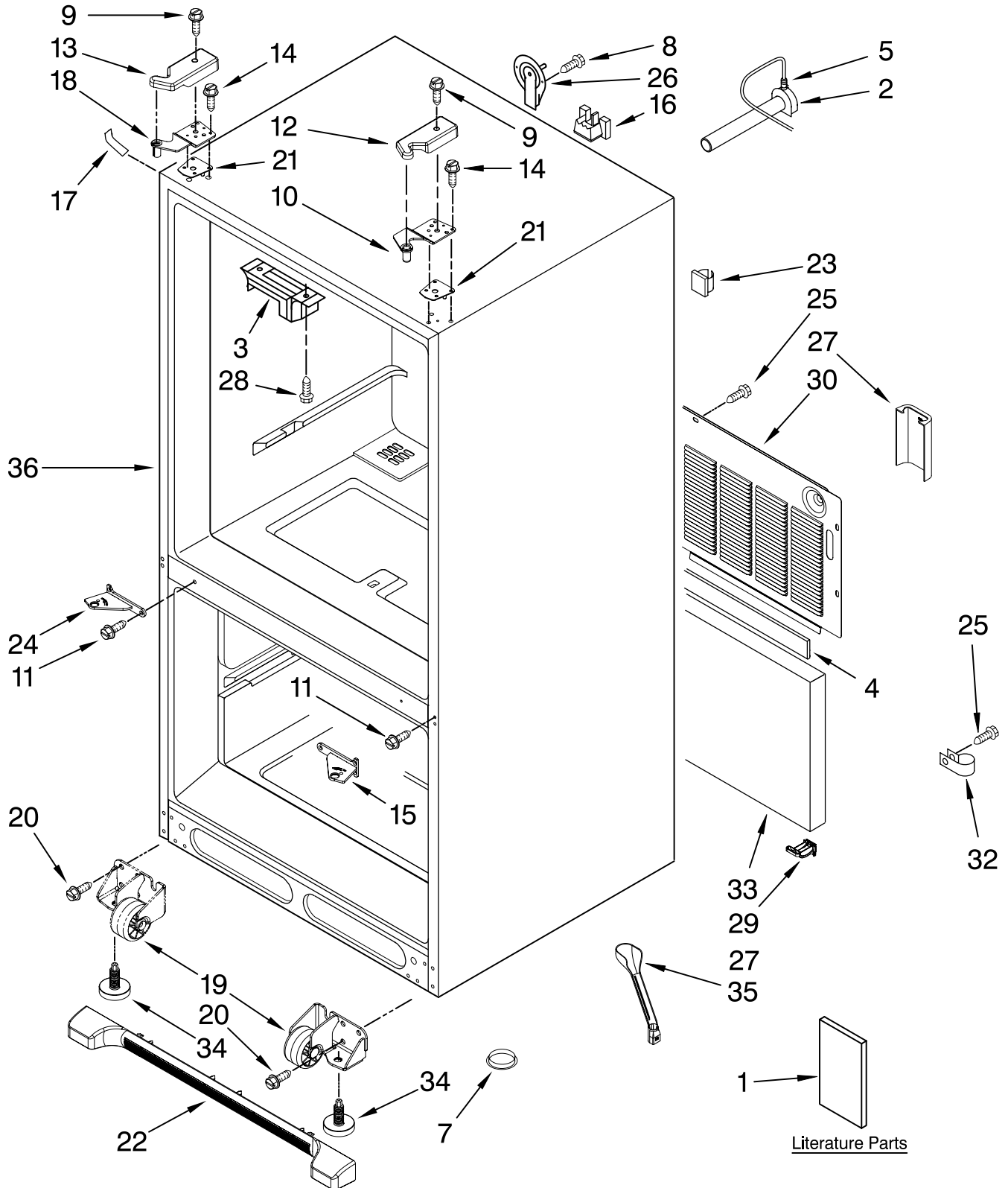


For Models: KFCS22EVWH1, KFCS22EVBL1, KFCS22EVMS1
(White) (Black) (Monochromatic Stainless)



FOR ORDERING INFORMATION REFER TO PARTS PRICE LIST

CABINET PARTS

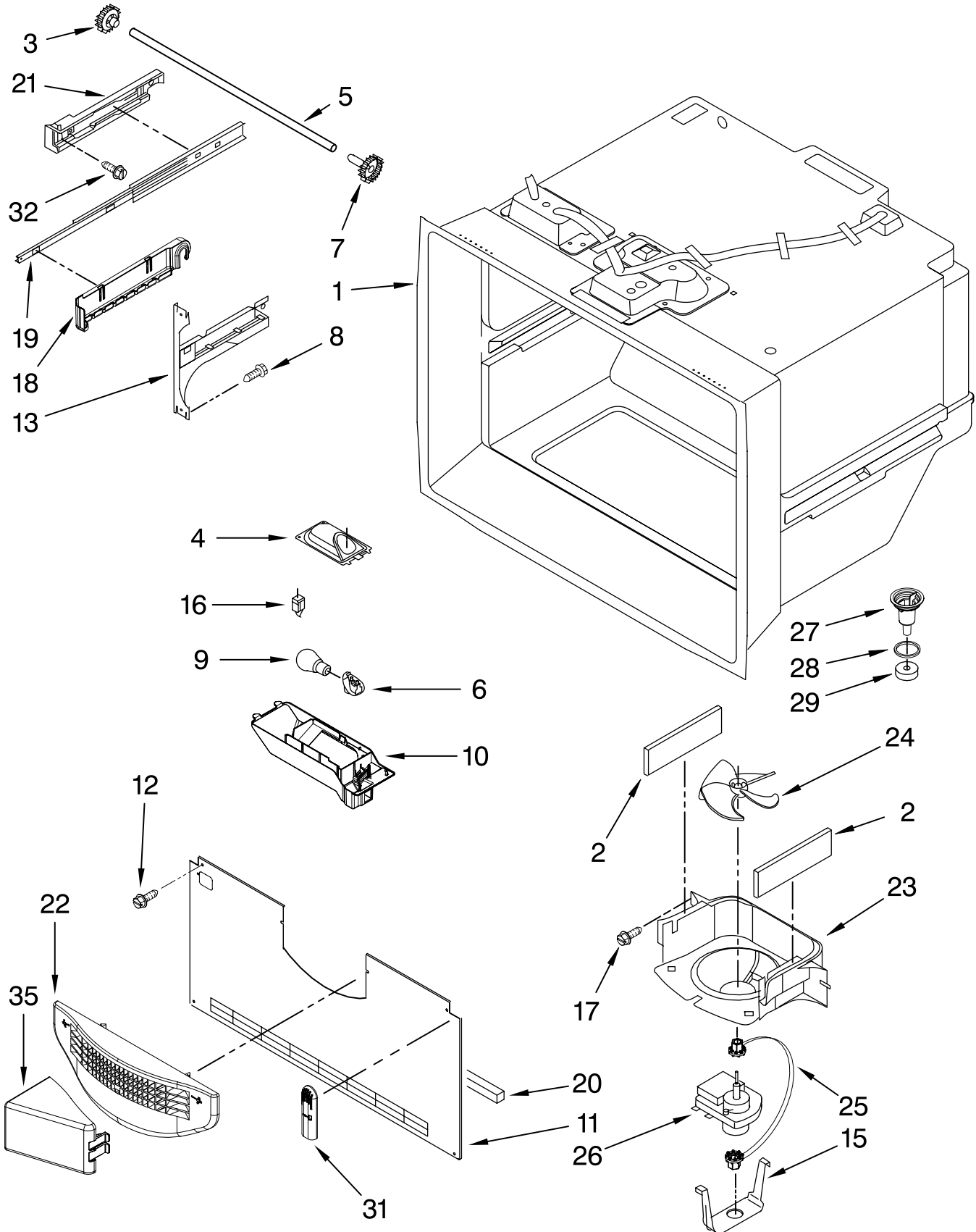
For Models: KFCS22EVWH1, KFCS22EVBL1, KFCS22EVMS1
(White) (Black) (Monochromatic Stainless)

Illus. No.	Part No.	DESCRIPTION	Illus. No.	Part No.	DESCRIPTION	Illus. No.	Part No.	DESCRIPTION
1		Literature Parts	13		Cover, Left Hinge	22		Grille, Toe
	W10238853	Tech Sheet		W10163248	White		W10244559	White
	12828187SP	Owners Manual		W10153130	Black		W10244561	Black
	W10194233	Tag, Energy		W10120102	Apollo Grey		W10244558	Apollo Grey
2	10463203SP	Elbow, Fill Tube	14	12992403	Screw (6)	23	M0104106	Clip (2)
3	W10120087	Block, Pivot	15		Hinge, Center (RT)	24		Hinge, Center (LT)
4	B5759655	Gasket		W10162695	White		W10162694	White
5	M0114003SP	Clip, Speed		W10210883	Black		W10210882	Black
7	A3076901	Plug, Button		W10135097	Stainless		W10135096	Stainless
8	12990504	Screw	16	12777701	Block, Fill Tube	25	12990511	Screw (10)
9	12992603	Screw	17		Cover, Corner (2)	26	12726003	Cover, Water Line
10	W10210891	Hinge, Top Right		12587703W	White	27	W10208593	Guard, Water Valve (Dual)
11	12992201	Screw (6)		12587703B	Black	28	12990302	Screw (2)
12		Cover, Right Hinge	18	W10210890	Hinge, Top Left	29	12831101	Sweep, Dual Tube
	W10163247	White	19		Roller Assy. (Front)	30	W10211855	Cover, Unit
	W10153131	Black		W10212382	Right	32	M0108105	Clamp, Tube
	W10120103	Apollo Grey		W10212381	Left	33	12820505	Insulation, Sound
			20	12991302	Screw (8)	34	W10141622	Brake, Foot
			21		Shim, Hinge	35	W10210988	Tube, Drain
				12999501	Left	36		Cabinet (Not a Servicable Part)
				12999502	Right			

FOR ORDERING INFORMATION REFER TO PARTS PRICE LIST

FREEZER LINER PARTS

For Models: KFCS22EVWH1, KFCS22EVBL1, KFCS22EVMS1
 (White) (Black) (Monochromatic Stainless)



FOR ORDERING INFORMATION REFER TO PARTS PRICE LIST

FREEZER LINER PARTS

For Models: KFCS22EVWH1, KFCS22EVBL1, KFCS22EVMS1
 (White) (Black) (Monochromatic Stainless)

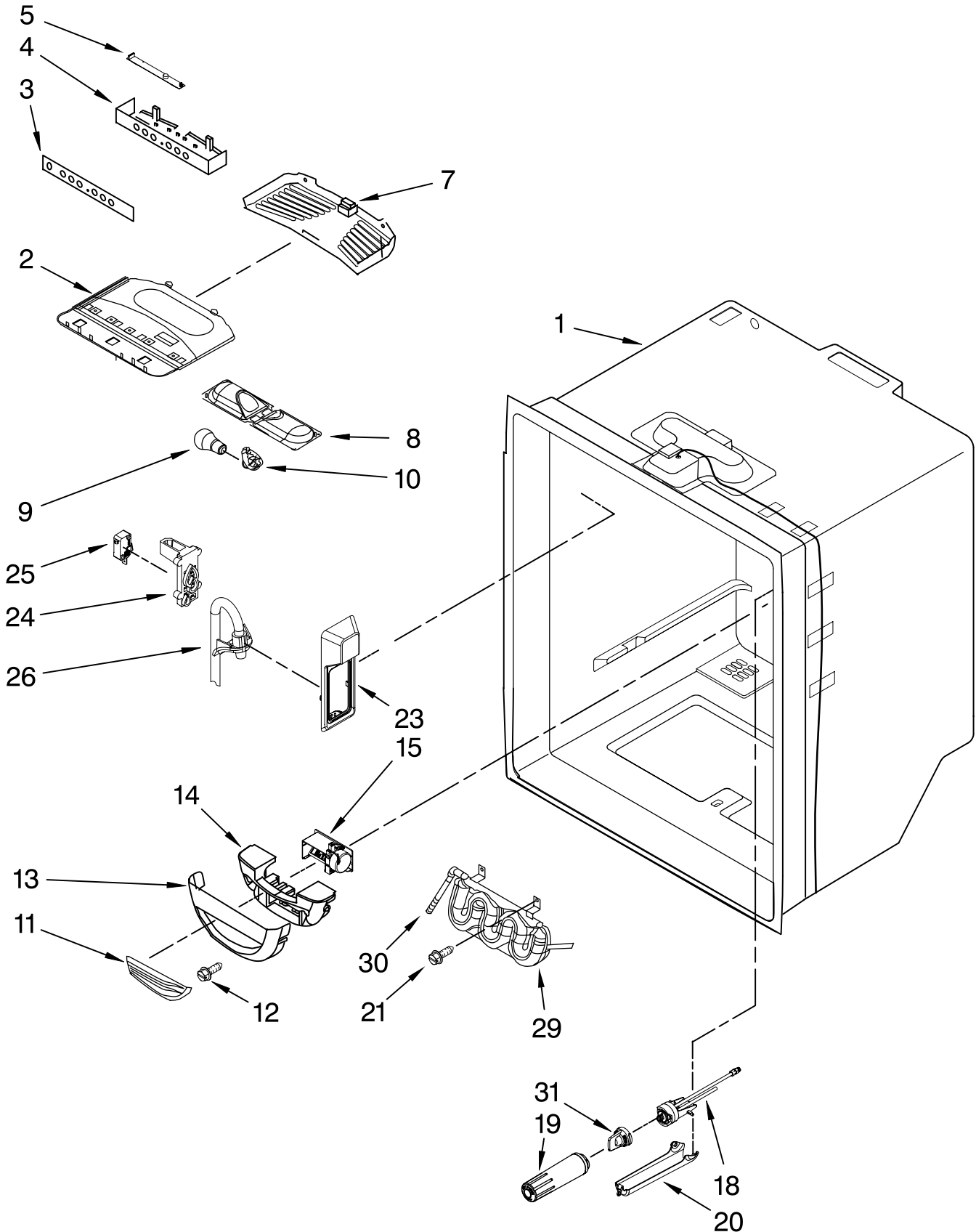
Illus. No.	Part No.	DESCRIPTION
1		Liner (Not A Serviceable Part)
2	A3189392	Gasket, Foam
3	12002497	Gear (Left) (Includes Item 7)
4	12476401SP	Housing, Light
5	12812903WD	Shaft
6	12570701SP	Socket, Light
7	12002497	Gear (Right) (Includes Item 3)
8	12990521	Screw (8)
9	W10194422V	Bulb, Light
10	W10119832	Module, Light
11	12226119	Cover, Evaporator
12	12990511	Screw (4)
13		Bracket, Door
	W10119064	Left
	W10119295	Right
15	13058002	Clip, Evap Motor
16	12466105SP	Switch, Light
17	12990504	Screw (2)
18		Cradle, Basket
	W10119848	Left
	W10119849	Right
19	W10165841	Slide, Drawer (2)
20	A3189396	Gasket, Bottom
21		Adapter, Slide
	13042303	Left
	13042304	Right
22	13024803	Grille, Fz Air
23	13057901	Shroud, Evap Fan
24	2169142	Blade, Fan (Evaporator)
25	W10121318	Grommet
26	W10128551	Motor, Evaporator
27	D7753903	Funnel, Drain
28	M0500703	Seal
29	B8381501	Gasket
31	12815301	Cover, Thermistor
32	12990501	Screw (6)
35	W10157765	Diverter, Air

Following Parts Not Illustrated

W10196195 Harness, Fz Module
 (Includes Thermistor)

REFRIGERATOR LINER PARTS

For Models: KFCS22EVWH1, KFCS22EVBL1, KFCS22EVMS1
(White) (Black) (Monochromatic Stainless)



FOR ORDERING INFORMATION REFER TO PARTS PRICE LIST

REFRIGERATOR LINER PARTS

For Models: KFCS22EVWH1, KFCS22EVBL1, KFCS22EVMS1
(White) (Black) (Monochromatic Stainless)

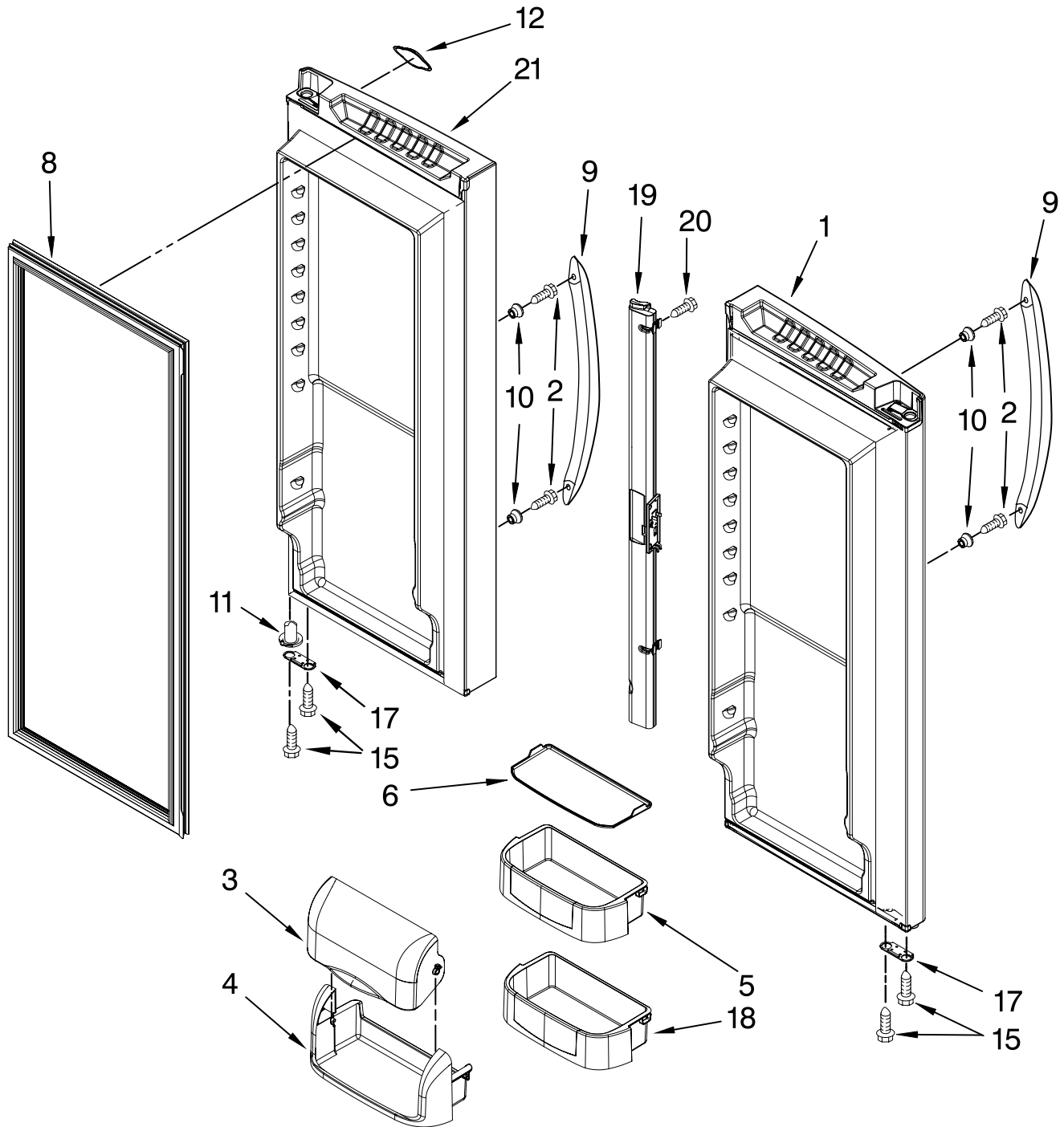
<u>Illus. No.</u>	<u>Part No.</u>	<u>DESCRIPTION</u>
1		Liner (Not A Serviceable Part)
2	12806303	Module, Light
3	W10118311	Overlay
4	12806405	Housing, Control
5	W10116216	Board, Control
7	12806501	Cover, Light
8	12806601V	Housing, Light
9	W10194422V	Bulb, Light (2)
10	12570701V	Socket, Light (2)
11	12806801	Insert, Damper Cover
12	12990604	Screw
13	12806701	Cover, Damper
14	13012402	Insulation
15	W10207517	Control, Damper
18	12590621	Head, Water Filter
19	UKF8001	Filter, Water
20	12568001	Cover, Filter
21	12990504	Screw (2)
23	W10204292	Facade, Dispenser
24	W10204289	Plunger Switch
25	12575502	Switch, Limit
26	W10117324	Waterline, Dispenser
29	12706112	Tank, Water
30	61006182	Union
31	12664501SP	Plug, Bypass

Following Parts Not Illustrated

W10119821 Harness, Control
(Refrigerator)
(Includes Thermistor)

REFRIGERATOR DOOR PARTS

For Models: KFCS22EVWH1, KFCS22EVBL1, KFCS22EVMS1
(White) (Black) (Monochromatic Stainless)



FOR ORDERING INFORMATION REFER TO PARTS PRICE LIST

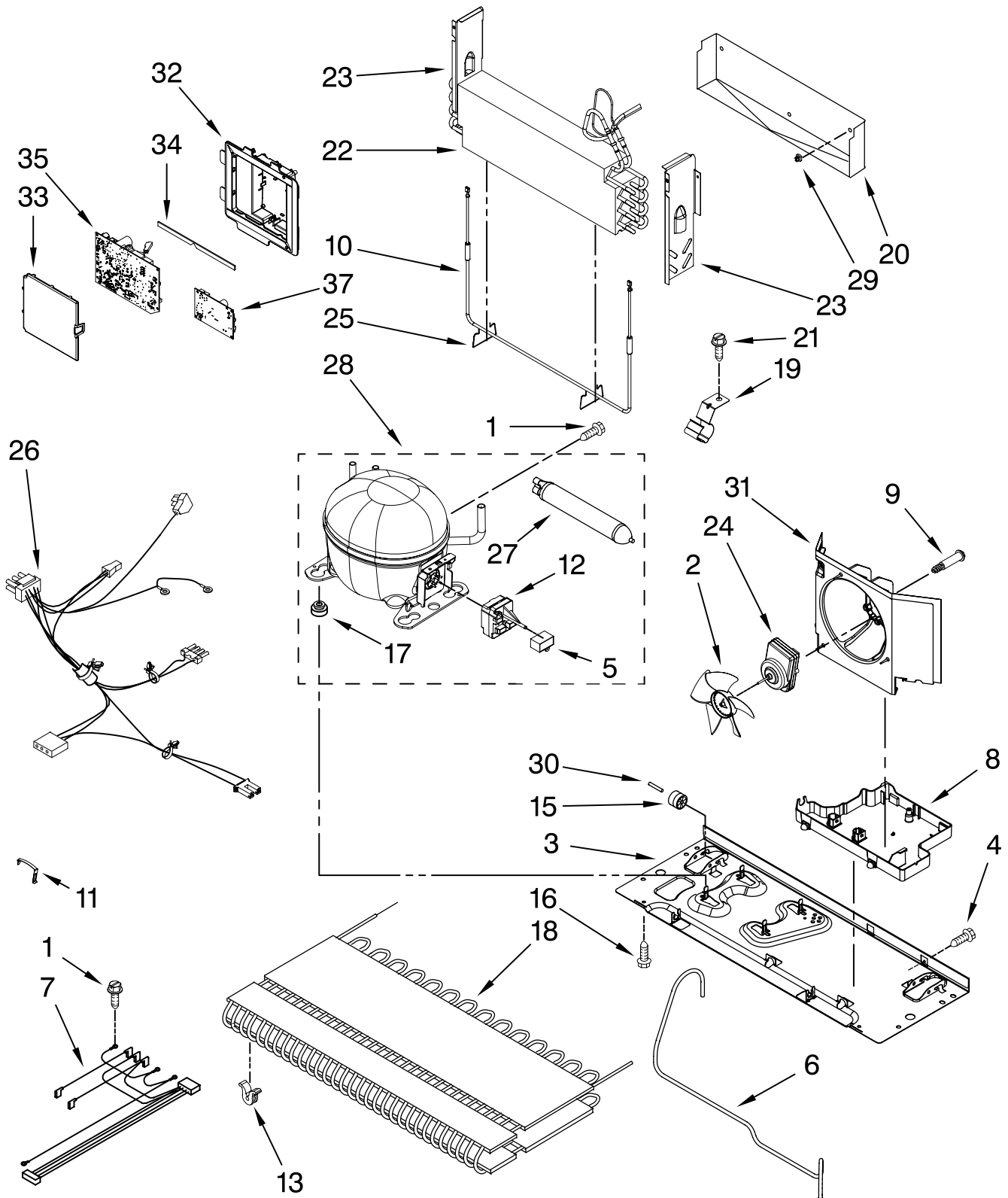
REFRIGERATOR DOOR PARTS

For Models: KFCS22EVWH1, KFCS22EVBL1, KFCS22EVMS1
(White) (Black) (Monochromatic Stainless)

Illus. No.	Part No.	DESCRIPTION
1	13094713WQ	Door, Refrigerator White, LH
	13094713BQ	Black, LH
	13094715SQ	Stainless, LH
	2	12991703 Screw
3	12744905 Door, Dairy	
4	12369502SP Tray, Dairy	
5	W10184033 Bucket, Medium (3)	
6	Gripper, Bucket	
	W10184031	Medium
	W10184032	Gallon
8		Gasket, Door
	W10183535	White
	W10163998	Black
	W10163997	Apollo Grey
9		Handle, Door
	W10119642	White
	W10119643	Black
	W10119644	Stainless
10	13001201	Mount, Handle
11		Closure, Door
	12028505W	White
	12028505B	Black
	12028505AP	Apollo Grey
12		Nameplate
	W10046670	White
	W10046640	Black
	W10046610	Grey
15	12990504	Screw
17		Stop, Door
	W10163249	White
	W10153126	Black
	W10120097	Apollo Grey
18	W10184034	Bucket, Gallon (2)
19		Mullion, Door
	12732508W	White
	12732508B	Black
	12732508AP	Apollo Grey
20	12990204	Screw
21		Door, Right
	13094714WQ	White
	13094714BQ	Black
	13094716SQ	Stainless

UNIT PARTS

For Models: KFCS22EVWH1, KFCS22EVBL1, KFCS22EVMS1
(White) (Black) (Monochromatic Stainless)



FOR ORDERING INFORMATION REFER TO PARTS PRICE LIST

UNIT PARTS

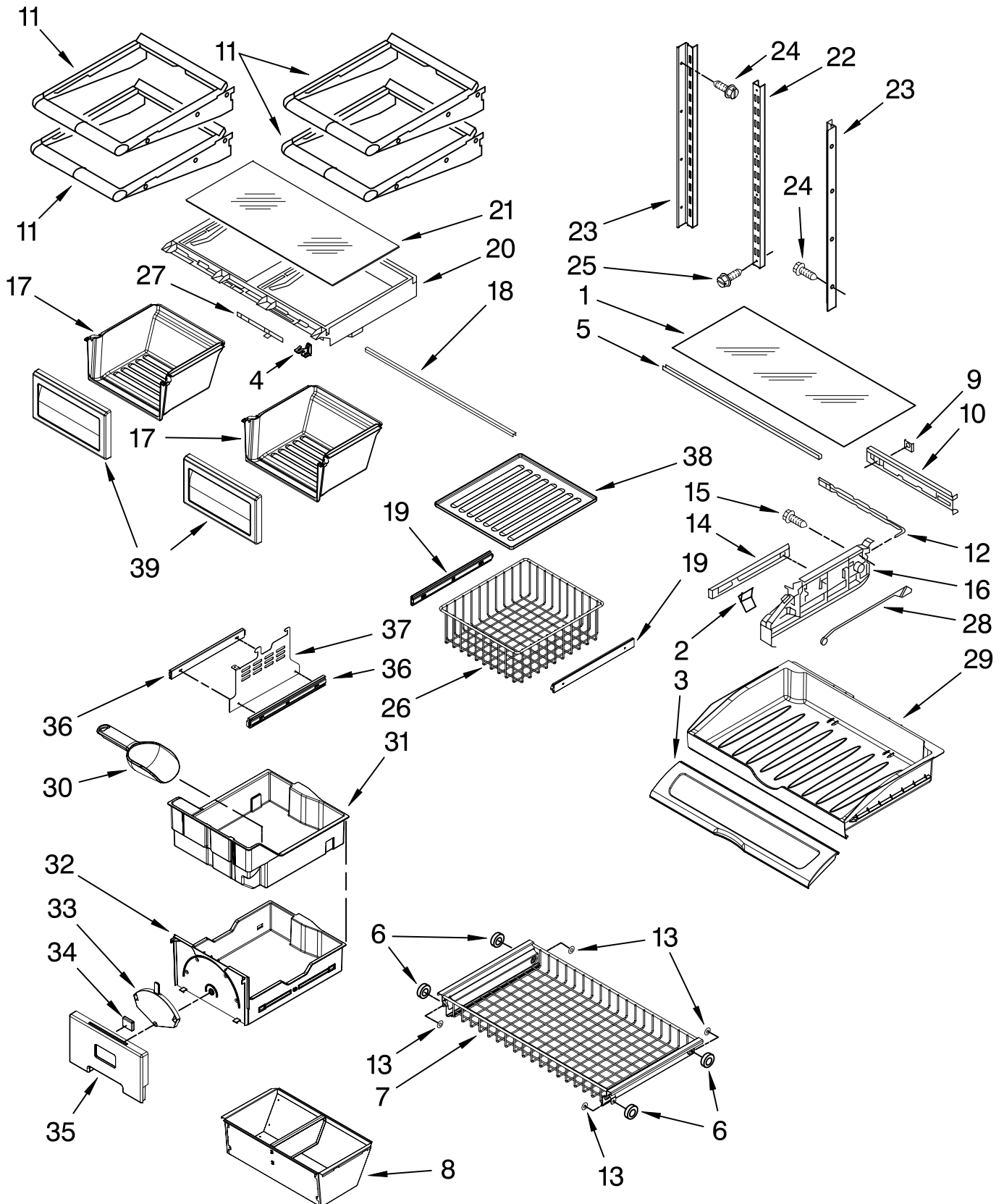
For Models: KFCS22EVWH1, KFCS22EVBL1, KFCS22EVMS1
(White) (Black) (Monochromatic Stainless)

Illus. No.	Part No.	DESCRIPTION	Illus. No.	Part No.	DESCRIPTION	Illus. No.	Part No.	DESCRIPTION
1	12992301	Screw	21	12990701	Screw	Following Parts Not Illustrated and Optional Parts Not Included		
2	12825803	Blade, Fan	22	12726403	Evaporator			
3	W10210985	Basepan	23		Dam			
4	12990511	Screw		12225702	Right Side			
5	2264017	Capacitor		12225602	Left Side			
6	W10233569	Tube, Discharge	24	12825101	Motor, Fan			
7	W10211456	Harness, Evap. Heater	25	10428101	Clip, Heater			
8	W10215085	Pan, Drain	26	W10256742	Harness, Unit with Power Cord			
9	W10216919	Screw, Shoulder	27	W10143759	Drier			
10	12729129	Heater, Defrost	28	W10164016	Compressor (Includes items 11,12,17,27)			
11	W10174384	Strap, Bale	29	10623002	Clip, Evaporator			
12	W10194431	Start Device	30	12477202	Axle, Roller (2)			
13	W10137529	Grommet, Cond (4)	31	W10189184	Shroud			
15	12477102	Roller (2)	32	W10119790	Box, HV Control			
16	12992101	Screw	33	12957702	Lid, HV Box			
17	10835903SP	Grommet (4)	34	12957801	Gasket, HV Box			
18	W10135026	Condenser	35	W10120827	Board, Control			
19	10547003	Clip, Drier	37	W10120821	Board, Power Supply			
20	12225403WD	Tray, Drip				REFRIGERANT CHARGE		
								5.25 Ozs. (R-134A)

FOR ORDERING INFORMATION REFER TO PARTS PRICE LIST

SHELF PARTS

For Models: KFCS22EVWH1, KFCS22EVBL1, KFCS22EVMS1
(White) (Black) (Monochromatic Stainless)



FOR ORDERING INFORMATION REFER TO PARTS PRICE LIST

SHELF PARTS

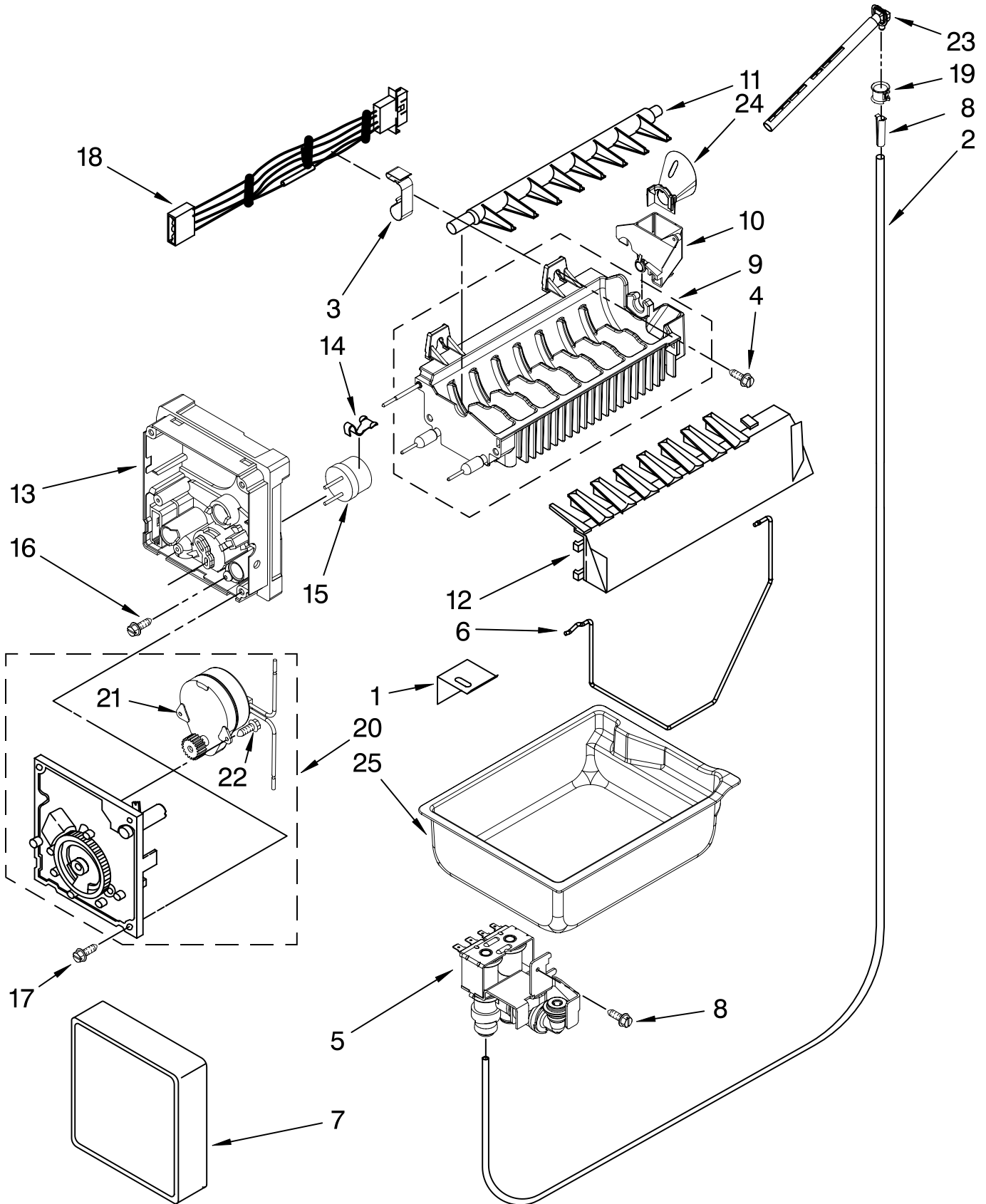
For Models: KFCS22EVWH1, KFCS22EVBL1, KFCS22EVMS1
(White) (Black) (Monochromatic Stainless)

Illus. No.	Part No.	DESCRIPTION
1	12204815	Glass, Pantry
2	12655204V	Knob, Temp Control
3	12656822	Lid, Pantry Drawer
4	W10119222	Knob, Humidity Control (2)
5	12227305WD	Brace, Pantry (2)
6	2204542	Roller, Basket
7	W10119854	Basket, Middle
8	W10144706	Bin Assembly
9	12656901	Gasket, Pantry
10	12656202	Housing, Control
11	W10156631	Shelf, Stationary
12	12655402	Slide, Temperature
13	2207415	Nut, Basket Roller
14		Glide, Drawer
	W10132653	Left
	W10132652	Right
15	12990504	Screw
16		Endcap, Pantry
	W10122078	Left
	W10121977	Right
17	W10119219	Pan, Crisper
18	W10119258	Brace, Crisper
19	W10170836	Glide, Upper Basket
20	W10119215	Frame, Crisper
21	12204827	Glass, Crisper Cover
22	12435807	Ladder, Center
23	12710606	Ladder, L/R Side
24	12990513	Screw
25	12990515	Screw
26	W10120003	Basket, Upper
27	W10119217	Slide, Humidity Control
28	12655303	Bar, Temperature Control
29	12655703	Drawer, Pantry
30	W10182881	Scoop, Ice Pan
31	W10120005	Pan, Ice
32	W10120008	Carrier, Ice Pan
33	W10184030	Lever, Ice Pan
34	W10131252	Latch, Magnet
35	W10174720	Front, Ice Pan
36	W10170835	Glide, Ice Pan
37	W10120014	Support, FZ Door
38	W10184358	Mat, Upper Basket
39	W10119220	Front, Crisper

FOR ORDERING INFORMATION REFER TO PARTS PRICE LIST

ICEMAKER PARTS

For Models: KFCS22EVWH1, KFCS22EVBL1, KFCS22EVMS1
(White) (Black) (Monochromatic Stainless)



FOR ORDERING INFORMATION REFER TO PARTS PRICE LIST

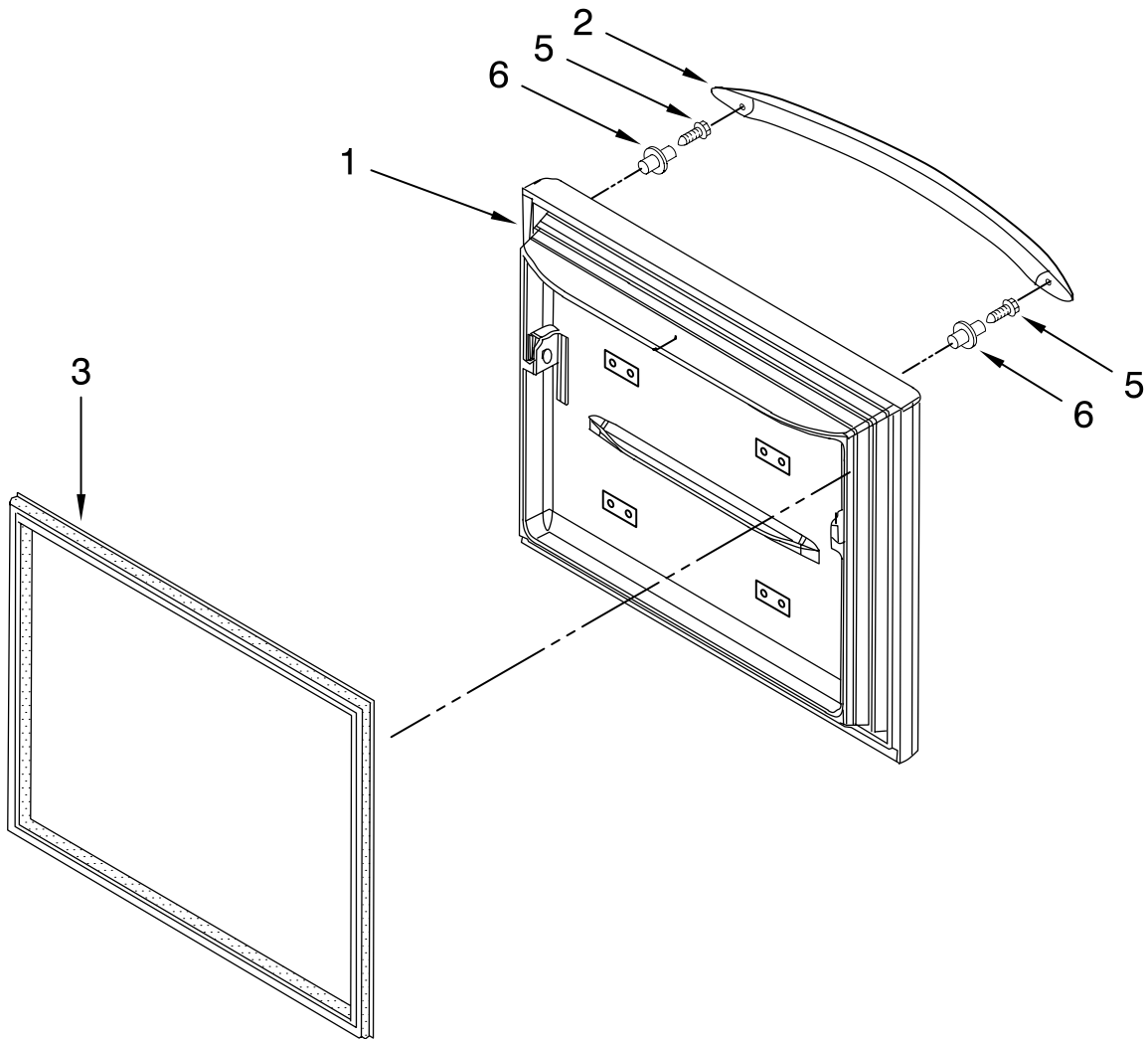
ICEMAKER PARTS

For Models: KFCS22EVWH1, KFCS22EVBL1, KFCS22EVMS1
 (White) (Black) (Monochromatic Stainless)

Illus. No.	Part No.	DESCRIPTION
1	2256086	Bracket, Ice Maker
2	B5705333SP	Tube, Plastic
3	10526702	Clamp
4	489276	Screw
5	12544124	Valve-Inlet
6	12868001	Arm-Shut Off
7	12582501	Cover, Front
8	A3223101SP	Insert, Tube
9	W10122527	Mold & Heater Assembly (Also Order 542638)
10	628515	Cup Water fill
11	627843	Ejector
12	2182124	Ice Stripper
13	2194712	Support
14	2315522	Retainer
15	628397	Thermostat Order 542369 Cement Alumilastic)
16	8533917	Screw
17	489464	Screw
18	D7813011	Harness, Ice Maker
19	M0114003SP	Clip, Speed
20	W10223929	Module Assembly (Includes Items 21 & 22)
21		Motor (Not Available, Order #20)
22	489136	Screw
23	10463203SP	Elbow, Fill Tube
24	12918001	Funnel, Fill Tube
25	W10120005	Pan, Ice
100	W10190978	Complete Ice Maker

FREEZER DOOR PARTS

For Models: KFCS22EVWH1, KFCS22EVBL1, KFCS22EVMS1
 (White) (Black) (Monochromatic Stainless)



Illus. No.	Part No.	DESCRIPTION
1	13094907WQ	Door, Freezer White
	13094907BQ	Black
	13094908SQ	Stainless
2		Handle, Door
	W10119642	White
	W10119643	Black
	W10119644	Stainless
3		Gasket, Door
	W10164040	White
	W10164041	Black
	W10164042	Apollo Grey
5	12991703	Screw
6	13001201	Mount, Handle

FOR ORDERING INFORMATION REFER TO PARTS PRICE LIST

OPTIONAL PARTS (NOT INCLUDED)

For Models: KFCS22EVWH1, KFCS22EVBL1, KFCS22EVMS1
(White) (Black) (Monochromatic Stainless)

Illus.	Part	
No.	No.	DESCRIPTION

Miscellaneous

212643	Sealer, Gum (4 Feet)
479502	Tape, Vinyl (3/4 x 108")
876370	Kit, Insulation (2 Pcs. x 3" x 24" X 48")
876305	Kit, Insulation (14 Pcs. x 3" x 24" x 48")
978941	Insulation, Fiberglass (63-1/2" x 35-1/2" X 2-5/8)
876029	Kit, Foam Slab (30" x 32-1/2" x 1-1/2")
505587	Sealer, Mastic (1 Qt.)
503695	Cork, Sealer (1/4 Pound)
20000008	Cleaner, Stnls Steel Magic
542638	Grease, Silicone (1/2 Oz.)
542639	Cement, Alumilastic (1-1/4 Oz.)
606755	Bag, Insulation (36-5/8" x 46")
799833	Kit, Evaporator Repair (Aluminum Epoxy)
833938	Kit, Terminal Connector

TORX SCREW WRENCH

1117510 Torx Key