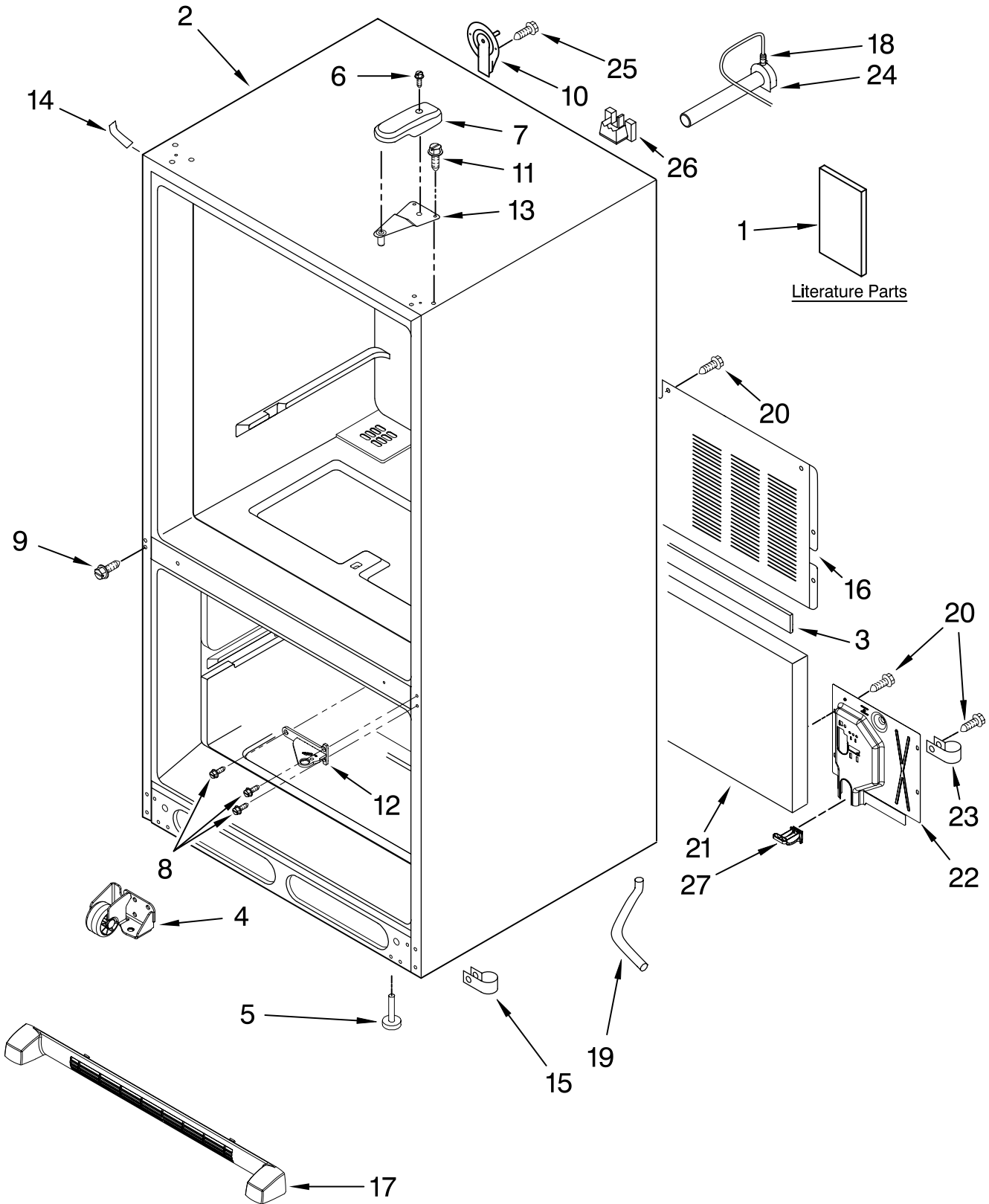


For Models: KFCS22EVWH00, KFCS22EVBL00, KFCS22EVMS00
(White) (Black)(Monochromatic Stainless)

The model(s) number shown may be different than what is printed on the model/serial tag of your product. The number(s) shown combine the model number and the first two digits of the serial number from the product tag.



FOR ORDERING INFORMATION REFER TO PARTS PRICE LIST

CABINET PARTS

For Models: KFCS22EVWH00, KFCS22EVBL00, KFCS22EVMS00
(White) (Black)(Monochromatic Stainless)

The model(s) number shown may be different than what is printed on the model/serial tag of your product. The number(s) shown combine the model number and the first two digits of the serial number from the product tag.

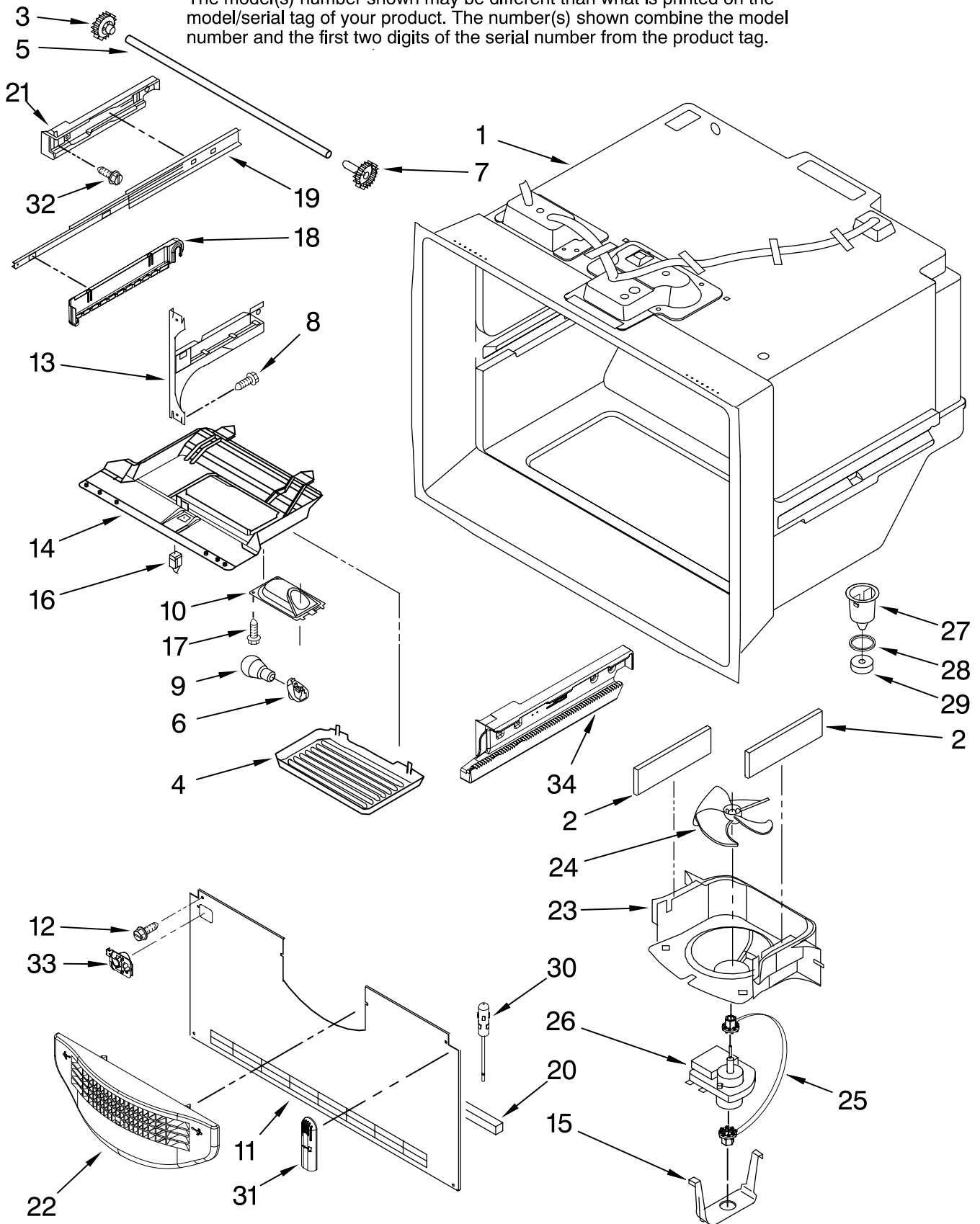
Illus. No.	Part No.	DESCRIPTION
1		Literature Parts
	W10210867	Use & Care Guide
	W10194233	Energy Guide
	W10210870	Tech Sheet
2		Cabinet (Not a Servicable Part)
	B5759649	Gasket
4		Roller Assembly
	W10130460	Left
	W10130459	Right
5	W10141622	Foot, Brake
6	67006521	Screw
7		Cover, Hinge
	W10163248	White, Left
	W10163247	White, Right
	W10153130	Black, Left
	W10153131	Black, Right
	W10120102	Apollo Grey, Left
	W10120103	Apollo Grey, Right
	8	67006380
9	67006400	Screw
10	67003331	Cover, Water Line
11	67006303	Screw (3)
12		Hinge, Center
	W10162694	White, Left
	W10162695	White, Right
	W10119776	Black, Left
	W10119778	Black, Right
	W10135096	Stainless, Left
	W10135097	Stainless, Right
13		Hinge, Top
	W10120106	White, RH
	W10120105	White, LH
14		Cover, Corner
	67003484	White
	67003485	Black
15	W10157973	Clip, Drain
16	67006102	Cover, Unit
17		Grille, Toe
	W10131133	White
	W10131134	Black
18	M0114003	Clip, Speed
19	W10164397	Tube, Drain
20	67006425	Screw (10)
21	67003796	Fiber, Acoustic
22	67004098	Cover, Water Valve
23	M0108105	Clamp, Tube
24	W10137519	Elbow, Fill Tube
25	67006287	Screw
26	67004092	Block, Filter (2)
27	67004101	Sweep, Dual Tube

FOR ORDERING INFORMATION REFER TO PARTS PRICE LIST

FREEZER LINER PARTS

For Models: **KFCS22EVWH00**, **KFCS22EVBL00**, **KFCS22EVMS00**
 (White) (Black)(Monochromatic Stainless)

The model(s) number shown may be different than what is printed on the model/serial tag of your product. The number(s) shown combine the model number and the first two digits of the serial number from the product tag.



FOR ORDERING INFORMATION REFER TO PARTS PRICE LIST

FREEZER LINER PARTS

For Models: **KFCS22EVWH00, KFCS22EVBL00, KFCS22EVMS00**
 (White) (Black)(Monochromatic Stainless)

The model(s) number shown may be different than what is printed on the model/serial tag of your product. The number(s) shown combine the model number and the first two digits of the serial number from the product tag.

Illus. No.	Part No.	DESCRIPTION
1		Liner (Not A Serviceable Part)
2	67001291	Gasket, Foam
3	12002497	Gear (Left) (Includes Item 7)
4	67003905	Cover, Light
5	67004261	Shaft
6	Y12570701	Socket, Light
7	12002497	Gear(Right) (Includes Item 3)
8	67006473	Screw (8)
9	A0282812	Bulb, Light
10	67001035	Housing, Light
11	W10203139	Cover, Evaporator
12	67006425	Screw (4)
13		Bracket, Door
	W10122147	Left
	W10122148	Right
14	W10119832	Module, Freezer
15	W10167028	Clip, Evap. Motor
16	67005653	Switch, Light
17	67006530	Screw
18		Cradle, Basket
	W10119848	Left
	W10119849	Right
19	W10165841	Slide, Drawer
20	67001776	Gasket, Bottom
21		Adapter, Slide
	W10163084	Left
	W10163087	Right
22	W10175909	Grille, Fz Air
23	W10167023	Shroud, Evap.Fan
24	2169142	Blade, Fan (Evaporator)
25	W10150583	Grommet
26	W10199049	Motor, Evaporator
27	D7753903	Funnel, Drain
28	M0500703	Seal
29	B8381501	Gasket
30	W10203133	Thermistor
31	67003924	Cover, Thermistor
32	67006406	Screw (6)
33	W10201550	Guide, Fill Tube
34		Adaptor, Shelf
	W10203148	Left Hand
	W10203149	Right Hand

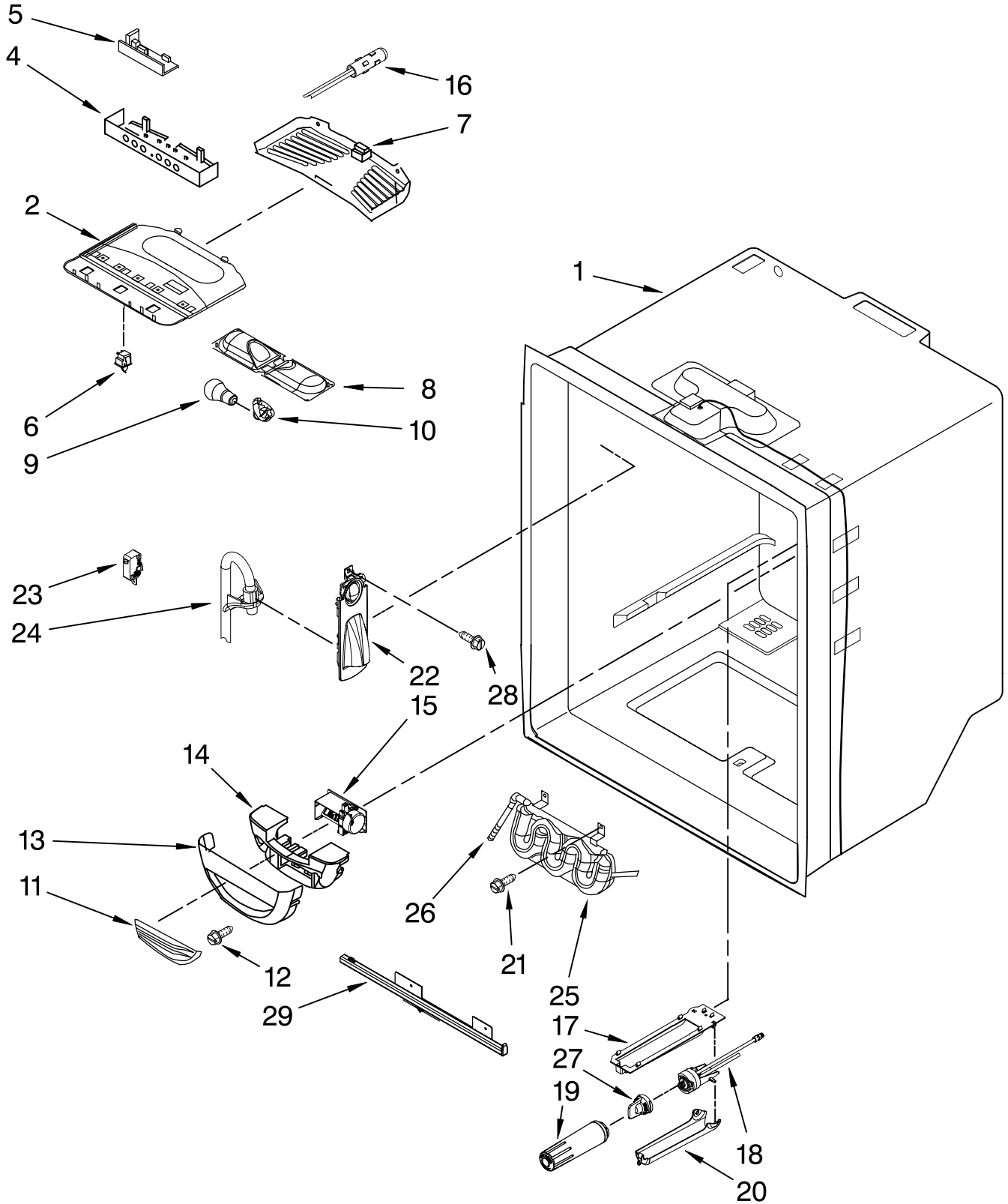
Following Parts Not Illustrated

W10196195 Harness, Lights
(Freezer)

REFRIGERATOR LINER PARTS

For Models: KFCS22EVWH00, KFCS22EVBL00, KFCS22EVMS00
(White) (Black)(Monochromatic Stainless)

The model(s) number shown may be different than what is printed on the model/serial tag of your product. The number(s) shown combine the model number and the first two digits of the serial number from the product tag.



FOR ORDERING INFORMATION REFER TO PARTS PRICE LIST

REFRIGERATOR LINER PARTS

For Models: KFCS22EVWH00, KFCS22EVBL00, KFCS22EVMS00
 (White) (Black)(Monochromatic Stainless)

The model(s) number shown may be different than what is printed on the model/serial tag of your product. The number(s) shown combine the model number and the first two digits of the serial number from the product tag.

Illus. No.	Part No.	DESCRIPTION
1		Liner (Not A Serviceable Part)
2	W10203323	Module, Light
4	W10185585	Module, Control
5	W10116216	Board, Control
6	12466104	Switch, Light
7	67003897	Cover, Light
8	67003901	Housing, Light
9	A0282812	Bulb, Light (2)
10	Y12570701	Socket, Light (2)
11	67003900	Insert, Damper Cover
12	67006602	Screw (2)
13	67003899	Cover, Damper
14	67006604	Insulation
15	W10127431	Control, Damper (Includes Harness)
16	12791416	Thermistor
17	67006325	Bracket, Filter
18	W10204043	Head, Filter
19	UKF8001AXX	Filter, Water
20	67006331	Lid, Filter
21	67006287	Screw (2)
22	W10204285	Facade, Disp.
23	12575502	Switch, Limit
24	W10117324	Waterline, Dispenser
25	W10153959	Tank, Water
26	61006182	Union
27	67003146	Plug, Bypass
28	67006400	Screw
29		Slide, Crisper
	2302952	Left
	2302953	Right
		Vent

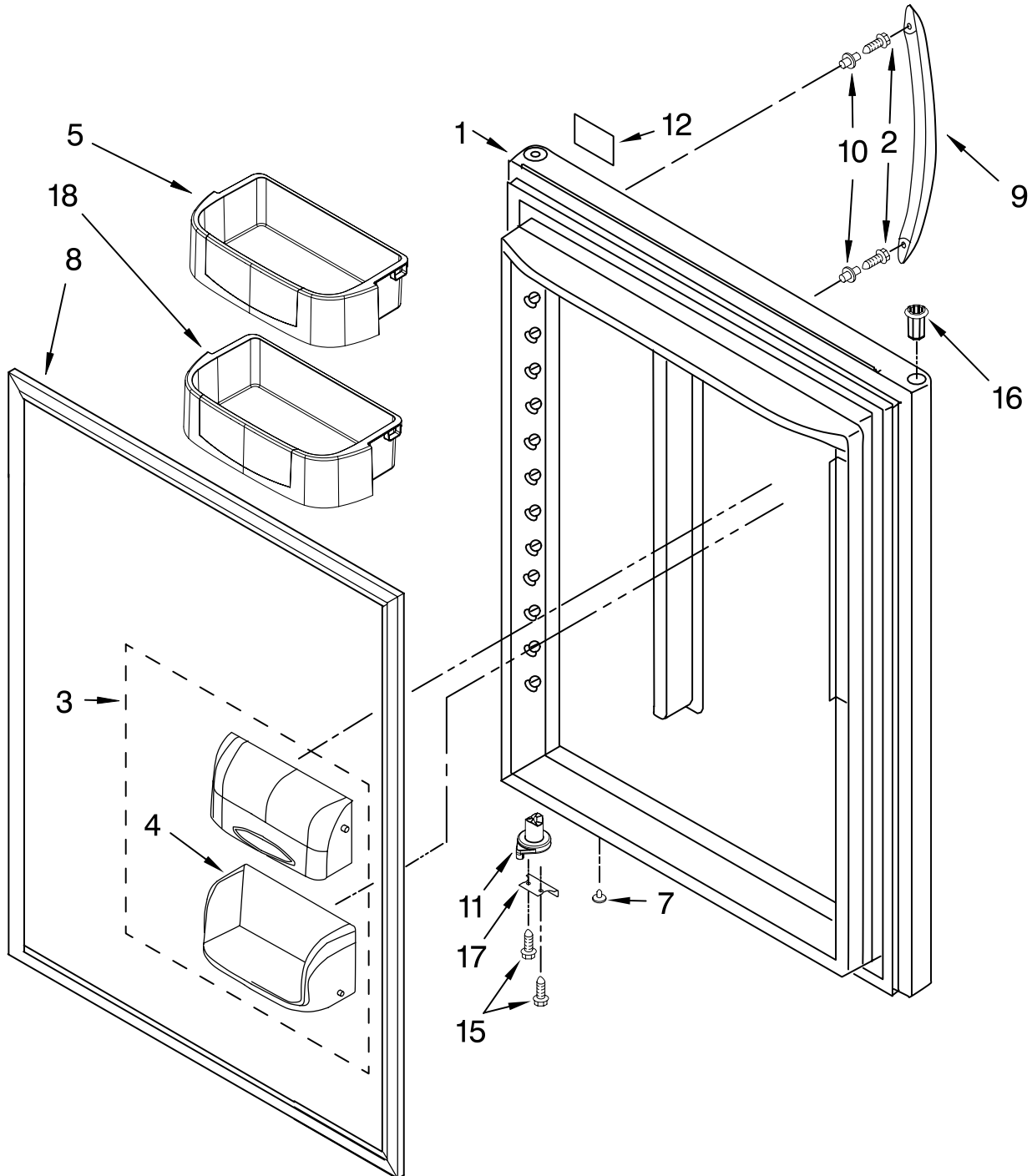
Following Parts Not Illustrated

W10119821 Harness, Controls
 (Refrigerator)

REFRIGERATOR DOOR PARTS

For Models: KFC S22EVWH00, KFC S22EVBL00, KFC S22EVMS00
(White) (Black)(Monochromatic Stainless)

The model(s) number shown may be different than what is printed on the model/serial tag of your product. The number(s) shown combine the model number and the first two digits of the serial number from the product tag.



FOR ORDERING INFORMATION REFER TO PARTS PRICE LIST

REFRIGERATOR DOOR PARTS

For Models: KFCS22EVWH00, KFCS22EVBL00, KFCS22EVMS00
 (White) (Black)(Monochromatic Stainless)

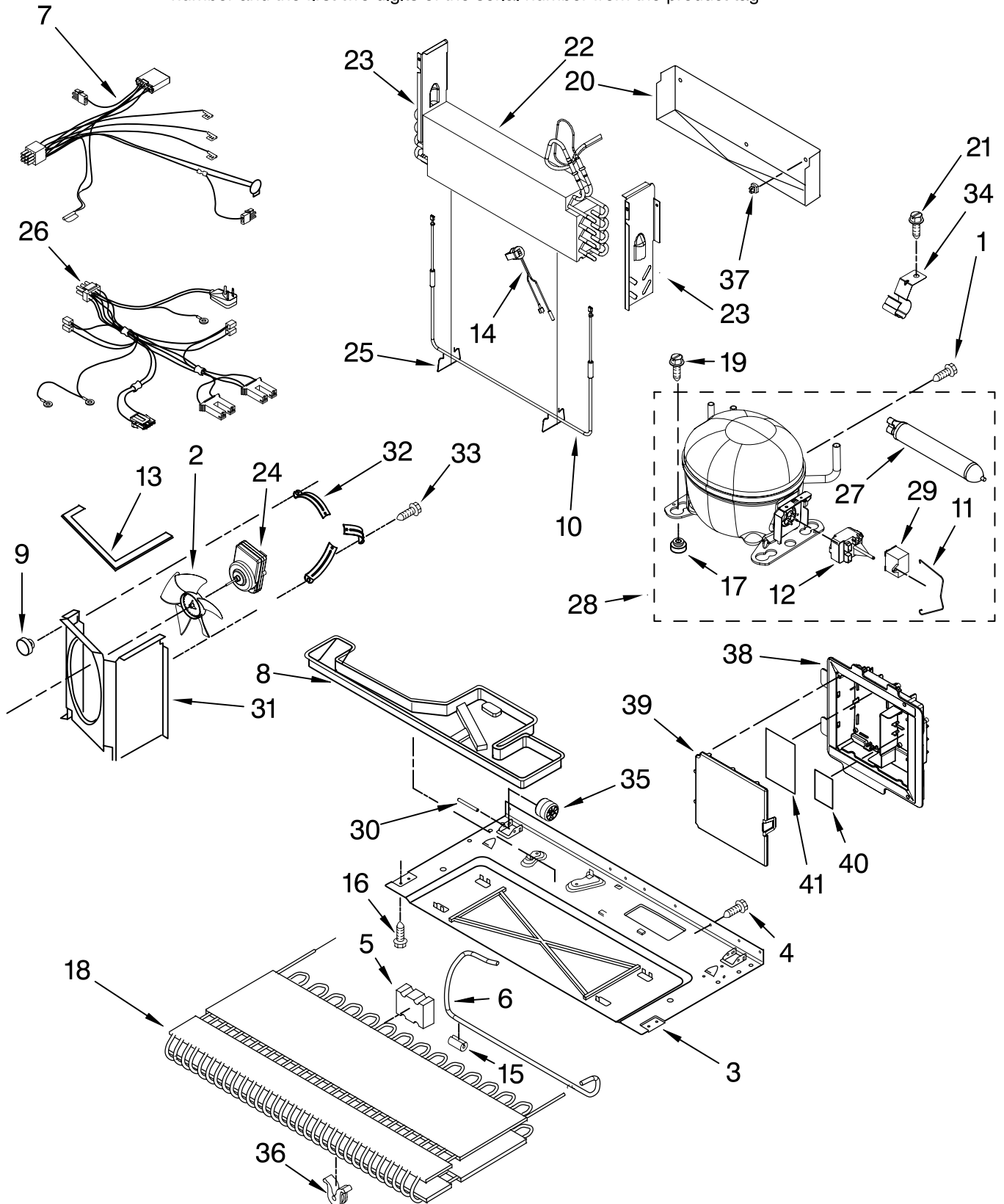
The model(s) number shown may be different than what is printed on the model/serial tag of your product. The number(s) shown combine the model number and the first two digits of the serial number from the product tag.

Illus. No.	Part No.	DESCRIPTION
1		Door, Refrigerator
	W10203555	White, LH
	W10203552	White, RH
	W10210876	Black, LH
	W10210874	Black, RH
	W10210880	Stainless, LH
2	67006901	Screw
3	67003819	Door, Dairy
4	67001279	Tray, Dairy
5	W10184033	Bucket, Medium (3)
7		Plug, Button (2)
	10712401	White
	67004838	Black
8		Gasket, Door
	W10183535	White
	W10131327	Black
9		Handle, Door
	2319727W	White
	2319727B	Black
	2319727S	Stainless
10	67006113	Mount, Handle
11		Closure, Door
	67003638	White
	67003639	Black
12	W10046670	Nameplate
15	67006287	Screw
16		Bushing (4)
	67002732	White
	67002731	Black
17		Stop, Door
	W10163249	White
	W10153126	Black
	W10120097	Apollo Grey
18	W10184034	Bucket, Gallon (2)

UNIT PARTS

For Models: KFCS22EVWH00, KFCS22EVBL00, KFCS22EVMS00
 (White) (Black)(Monochromatic Stainless)

The model(s) number shown may be different than what is printed on the model/serial tag of your product. The number(s) shown combine the model number and the first two digits of the serial number from the product tag.



FOR ORDERING INFORMATION REFER TO PARTS PRICE LIST

UNIT PARTS

For Models: KFCS22EVWH00, KFCS22EVBL00, KFCS22EVMS00
(White) (Black)(Monochromatic Stainless)

The model(s) number shown may be different than what is printed on the model/serial tag of your product. The number(s) shown combine the model number and the first two digits of the serial number from the product tag.

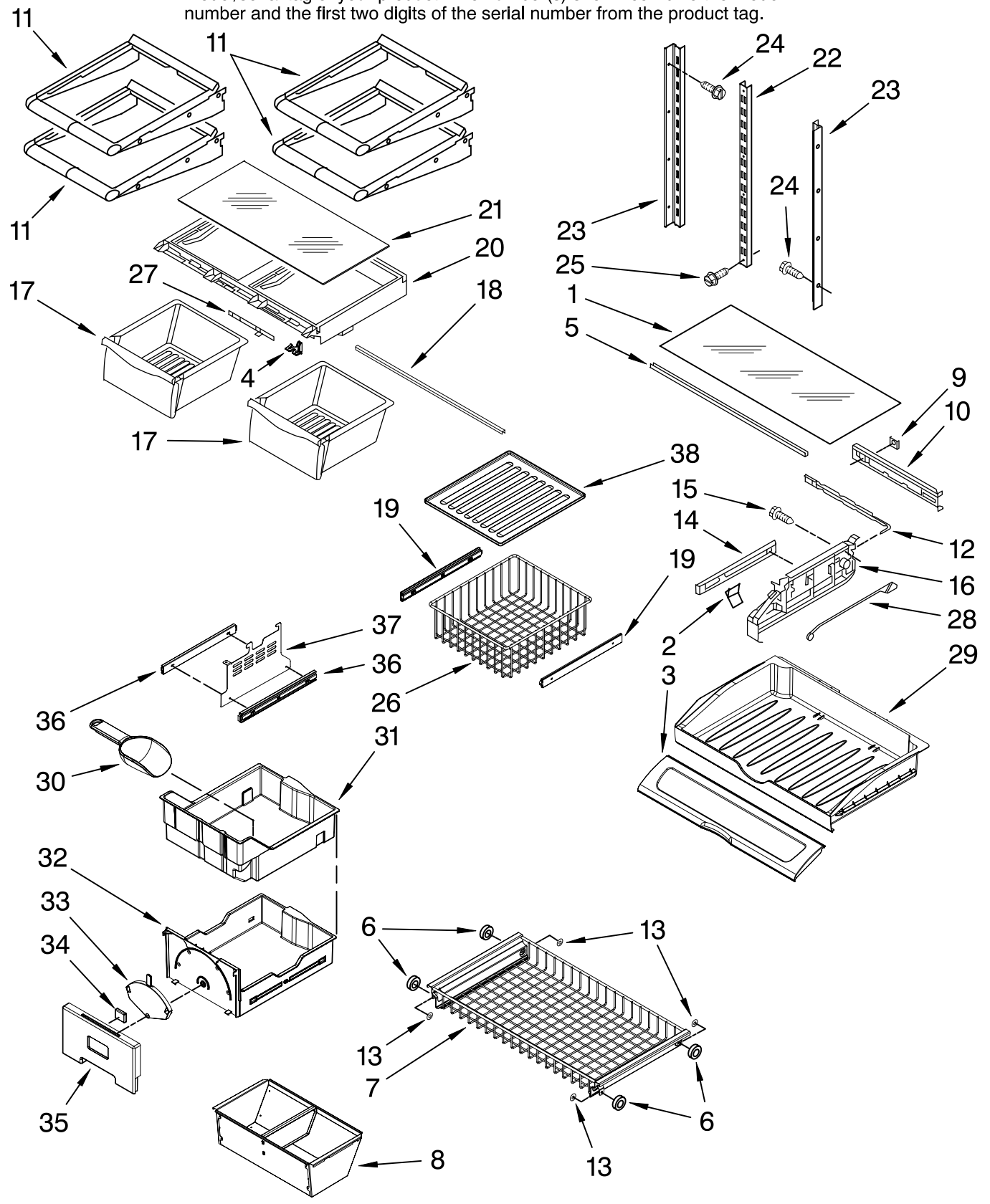
Illus. No.	Part No.	DESCRIPTION	Illus. No.	Part No.	DESCRIPTION	Illus. No.	Part No.	DESCRIPTION
1	67006433	Screw	22	W10203111	Evaporator Heater	40	W10120821	Control, Electronic,15W,PS
2	W10162928	Blade, Fan	23		Dam	41	W10120827	Control, Electronic,Trilogy
3	67005889	Basepan		W10203109	Right Side	Following Parts Not Illustrated and Optional Parts Not Included		
4	67006425	Screw		W10203108	Left Side			
5	67005491	Block, Condenser	24	67004432	Motor, Fan	Following Parts Not Illustrated and Optional Parts Not Included		
6	W10134293	Tube, Discharge	25	10428101	Clip, Heater			
7	W10196196	Harness, Evap. Heater	26	W10137210	Harness, Unit with Power Cord	Following Parts Not Illustrated and Optional Parts Not Included		
8	67007175	Drain Pan	27	W10143759	Drier			
9	61004743	Grommet (3)	28	W10134623	Compressor (Includes items 11,12,17,27,29)	978025		Valve, Access (1/4")
10	W10203111	Heater, Defrost	29	2264017	Capacitor	978026		Valve, Access (5/16")
11	W10136415	Clip, Capacitor	30	67006434	Axle, Roller (2)	978027		Valve, Access (3/8")
12	W10128791	Start Device	31	W10158508	Shroud	978028		Valve, Access (1/2")
13	67003731	Gasket	32	67004953	Bracket, Fan Motor	978029		Valve, Access (5/8")
14	W10165425	Thermostat, Defrost	33	67004954	Screw	978030		Valve, Access (3/4")
15	67005680	Grommet (2)	34	10547003	Clip, Drier	876764		Valve, Access (3/16")
16	67006573	Screw	35	67005149	Roller (2)	REFRIGERANT CHARGE		
17	W10169124	Grommet (4)	36	W10137529	Grommet, Cond. (4)			
18	67006131	Condenser	37	13058002	Clip, Evaporator	5.0 Ozs. (R-134A)		
19	67006432	Screw (3)	38	W10119790	Box, HV Control			
20	67002490	Tray, Drip	39	W10203258	Lid, HV Control	5.0 Ozs. (R-134A)		
21	67006737	Screw						

FOR ORDERING INFORMATION REFER TO PARTS PRICE LIST

SHELF PARTS

For Models: KFCS22EVWH00, KFCS22EVBL00, KFCS22EVMS00
 (White) (Black)(Monochromatic Stainless)

The model(s) number shown may be different than what is printed on the model/serial tag of your product. The number(s) shown combine the model number and the first two digits of the serial number from the product tag.



FOR ORDERING INFORMATION REFER TO PARTS PRICE LIST

SHELF PARTS

For Models: KFCS22EVWH00, KFCS22EVBL00, KFCS22EVMS00
(White) (Black)(Monochromatic Stainless)

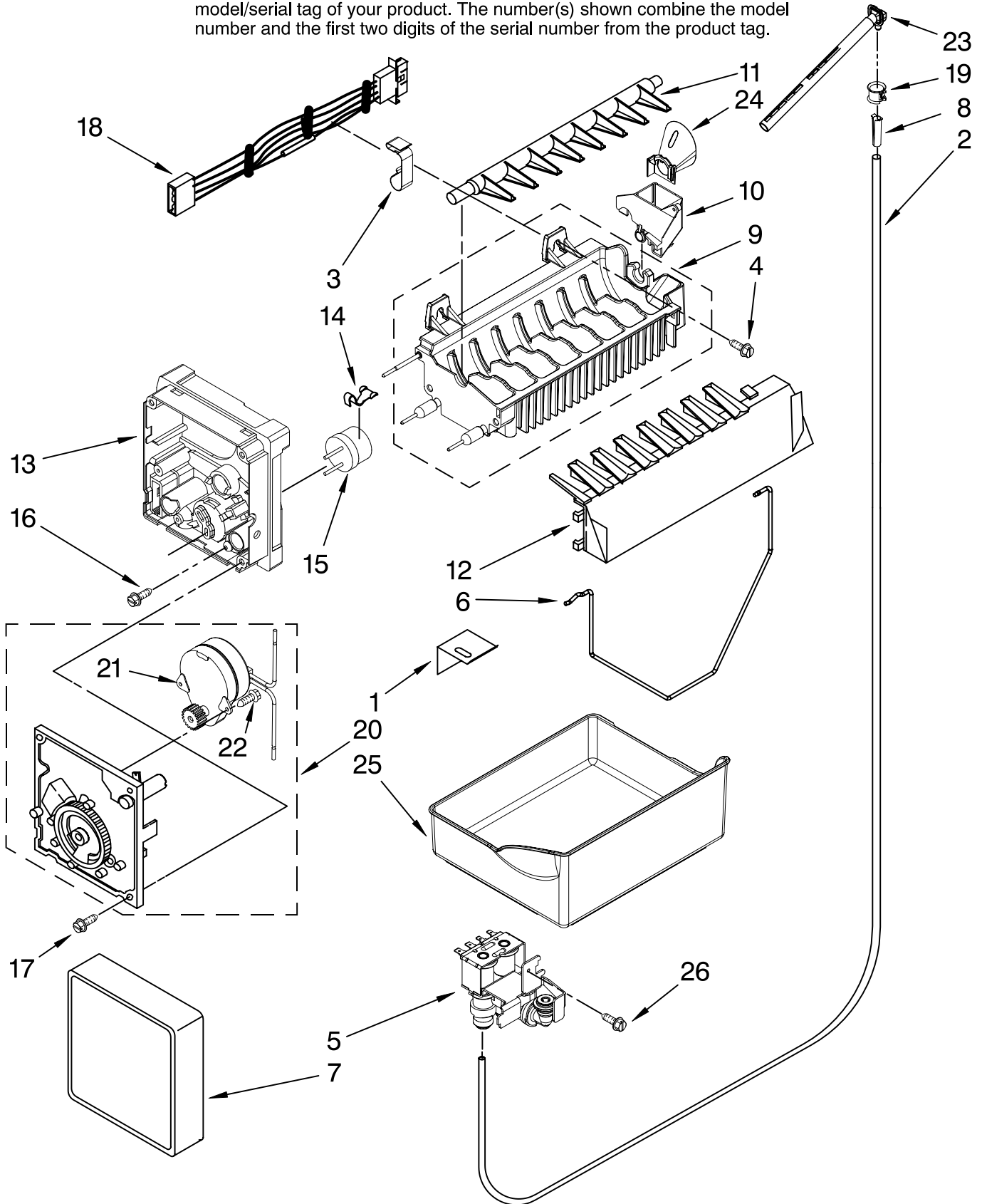
The model(s) number shown may be different than what is printed on the model/serial tag of your product. The number(s) shown combine the model number and the first two digits of the serial number from the product tag.

Illus. No.	Part No.	DESCRIPTION
1	67002332	Glass, Pantry
2	67003791	Knob, Temp Control
3	12656822	Lid, Pantry Drawer
4	W10119222	Knob, Humidity Control (2)
5	67002330	Brace, Pantry (2)
6	20454213	Roller, Basket
7	W10119854	Basket, Middle
8	W10132468	Bin Assembly
9	67002329	Gasket, Pantry
10	67005625	Housing, Control
11	W10156631	Shelf, Stationary
12	67003793	Slide, Temperature
13	2207415	Nut, Basket Roller
14		Glide, Drawer
	W10132653	Left
	W10132652	Right
15	67006287	Screw
16		Endcap, Pantry
	W10122078	Left
	W10121977	Right
17	W10119830	Pan, Crisper
18	W10119258	Brace, Crisper
19	W10170836	Glide, Upper Basket
20	W10119215	Frame, Crisper
21	12204827	Glass, Crisper Cover
22	67001073	Ladder, Center
23	67001302	Ladder, L/R Side
24	67006400	Screw
25	67006360	Screw
26	W10120003	Basket, Upper
27	W10119217	Slide, Humidity Control
28	67003794	Bar, Temperature Control
29	12655703	Drawer, Pantry
30	W10182881	Scoop, Ice Pan
31	W10120005	Pan, Ice
32	W10120008	Carrier, Ice Pan
33	W10184030	Lever, Ice Pan
34	W10131252	Latch, Magnet
35	W10174720	Front, Ice Pan
36	W10170835	Glide, Ice Pan
37	W10120014	Support, FZ Door
38	W10184358	Mat, Upper Basket

ICEMAKER PARTS

For Models: KFCS22EVWH00, KFCS22EVBL00, KFCS22EVMS00
(White) (Black)(Monochromatic Stainless)

The model(s) number shown may be different than what is printed on the model/serial tag of your product. The number(s) shown combine the model number and the first two digits of the serial number from the product tag.



FOR ORDERING INFORMATION REFER TO PARTS PRICE LIST

ICEMAKER PARTS

For Models: KFCS22EVWH00, KFCS22EVBL00, KFCS22EVMS00
 (White) (Black)(Monochromatic Stainless)

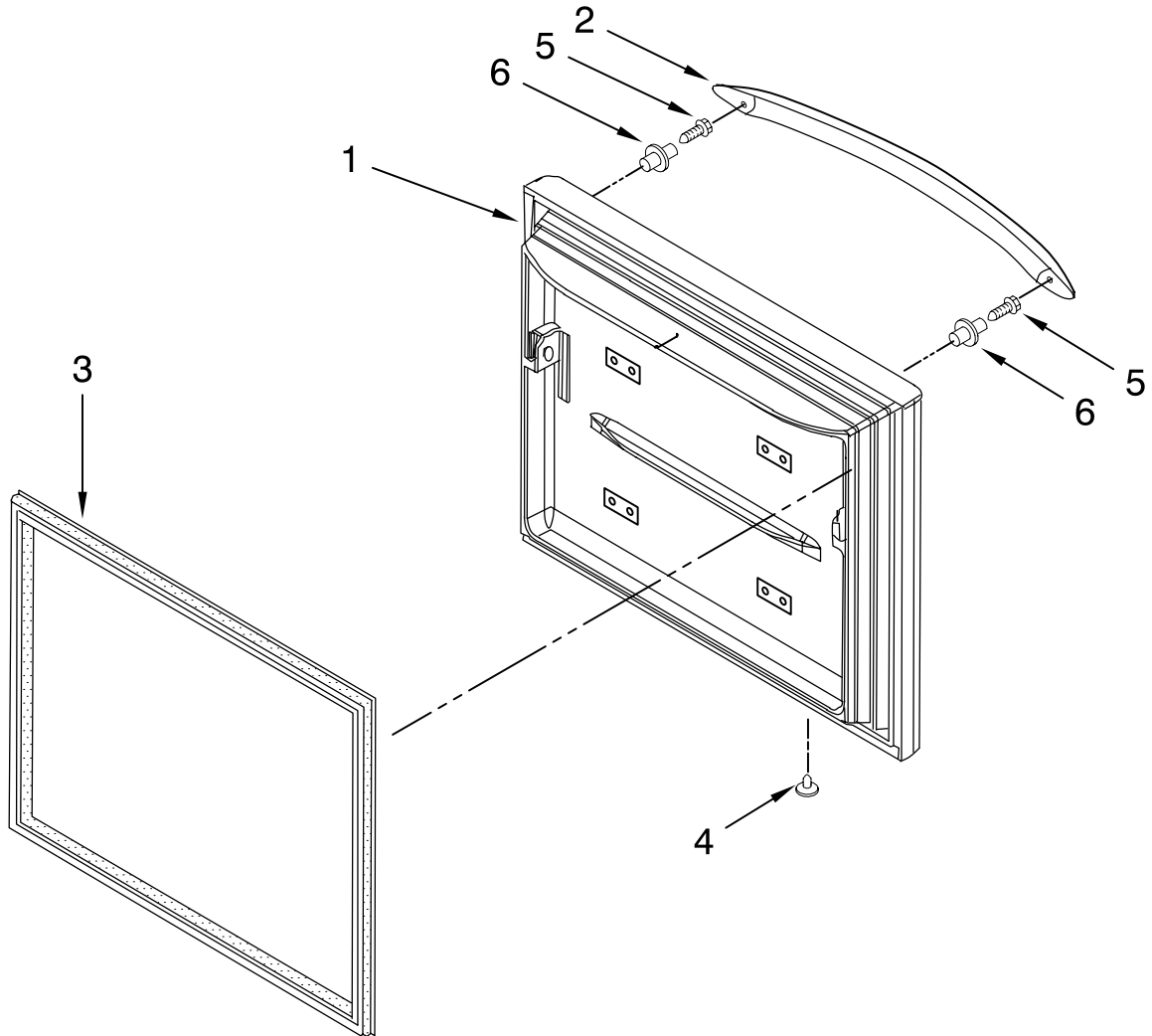
The model(s) number shown may be different than what is printed on the model/serial tag of your product. The number(s) shown combine the model number and the first two digits of the serial number from the product tag.

Illus. No.	Part No.	DESCRIPTION
1	2256086	Bracket, Ice Maker
2	67003729	Tube, Plastic
3	67003932	Clamp
4	489276	Screw
5	67006531	Valve-Inlet
6	67004028	Arm-Shut Off
7	W10153710	Cover, Front
8	A3223101	Inert, Tube
9	W10122527	Mold & Heater Assembly (Also Order 542638)
10	628515	Cup Water fill
11	627843	Ejector
12	2182124	Ice Stripper
13	2194712	Housing, Support
14	2315522	Retainer
15	627985	Thermostat Order 542369 Cement Alumilastic)
16	8533917	Screw
17	489464	Screw
18	W10153408	Harness, Ice Maker
19	M0114003	Clip, Speed
20	626678	Module Assembly (Includes Items 21 & 22)
21	626684	Motor
22	489136	Screw
23	W10137519	Elbow, Fill Tube
24	67005603	Funnel, Fill Tube
25	67001255	Pan Ice
26	67006662	Screw
100	W10122519	Complete Ice Maker

FREEZER DOOR PARTS

For Models: KFCS22EVWH00, KFCS22EVBL00, KFCS22EVMS00
(White) (Black)(Monochromatic Stainless)

The model(s) number shown may be different than what is printed on the model/serial tag of your product. The number(s) shown combine the model number and the first two digits of the serial number from the product tag.



Illus. No.	Part No.	DESCRIPTION
1	W10203551	Door, Freezer White
	W10210872	Black
	W10210877	Stainless
2	2319727W	Handle, Door White
	2319727B	Black
	2319727S	Stainless
3	W10164040	Gasket, Door White
	W10164041	Black
4		Plug, Button (2)
	10712401	White
	67004838	Black
5	67006901	Screw
6	67006113	Mount, Handle

FOR ORDERING INFORMATION REFER TO PARTS PRICE LIST

OPTIONAL PARTS

For Models: KFCS22EVWH00, KFCS22EVBL00, KFCS22EVMS00
(White) (Black)(Monochromatic Stainless)

The model(s) number shown may be different than what is printed on the model/serial tag of your product. The number(s) shown combine the model number and the first two digits of the serial number from the product tag.

Illus. No.	Part No.	DESCRIPTION	Illus. No.	Part No.	DESCRIPTION	Illus. No.	Part No.	DESCRIPTION
<u>PAINT, TOUCH-UP (1/2oz.)</u>			<u>PAINT, BULK (1 qt.)</u>			<u>TORX SCREW WRENCH</u>		
	72017	White		799344	White (Uncut)		1117510	Torx Key
	72032	Black		799344	Black (Uncut)			
	4392901	Biscuit		4392900	Biscuit (Uncut)			
<u>PAINT, PRESSURIZED SPRAY (12 oz.)</u>			<u>Miscellaneous</u>			<u>ACCESSORIES</u>		
	*350942	Primer, White		212643	Sealer, Gum (4 Feet)		2217192	Cleaner, Stainless Steel
	*350930	White		479502	Tape, Vinyl (3/4 x 108")			
	*350939	Black		505587	Sealer, Mastic (1 Qt.)			
	*4392901	Biscuit		503695	Cork, Sealer (1/4 Pound)			
* Important: The spray paint is not to be used where the paint may make contact with the door gaskets.				542638	Grease, Silicone (1/2 Oz.)			
				542639	Cement, Alumilastic (1-1/4 Oz.)			
				799833	Kit, Evaporator Repair (Aluminum Epoxy)			
				833938	Kit, Terminal Connector			