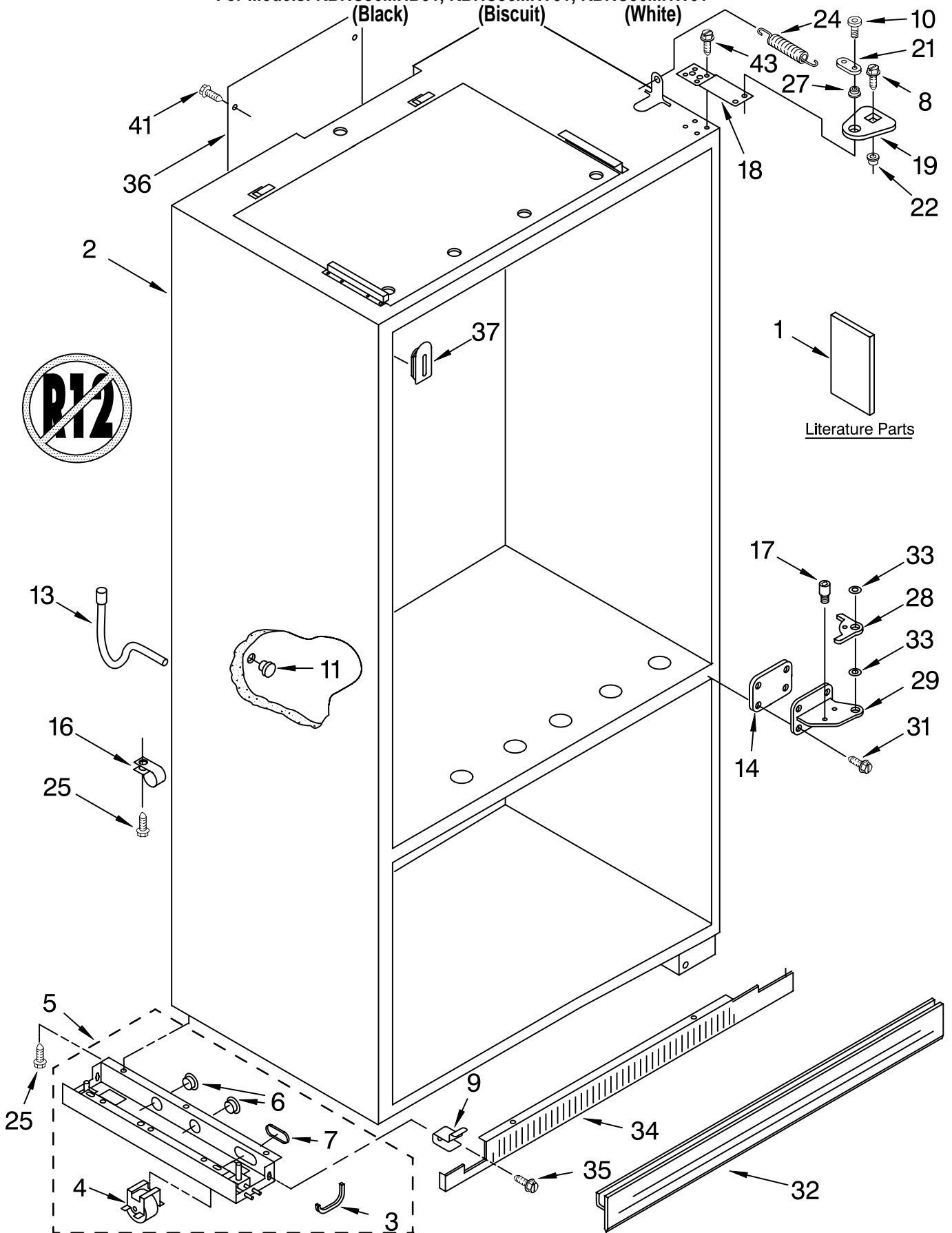


For Models: KBRC36MHB01, KBRC36MHT01, KBRC36MHW01  
(Black) (Biscuit) (White)

36" BOTTOM MOUNT  
BUILT IN REFRIGERATOR



FOR ORDERING INFORMATION REFER TO PARTS PRICE LIST

# CABINET PARTS

For Models: KBRC36MHB01, KBRC36MHT01, KBRC36MHW01

(Black)

(Biscuit)

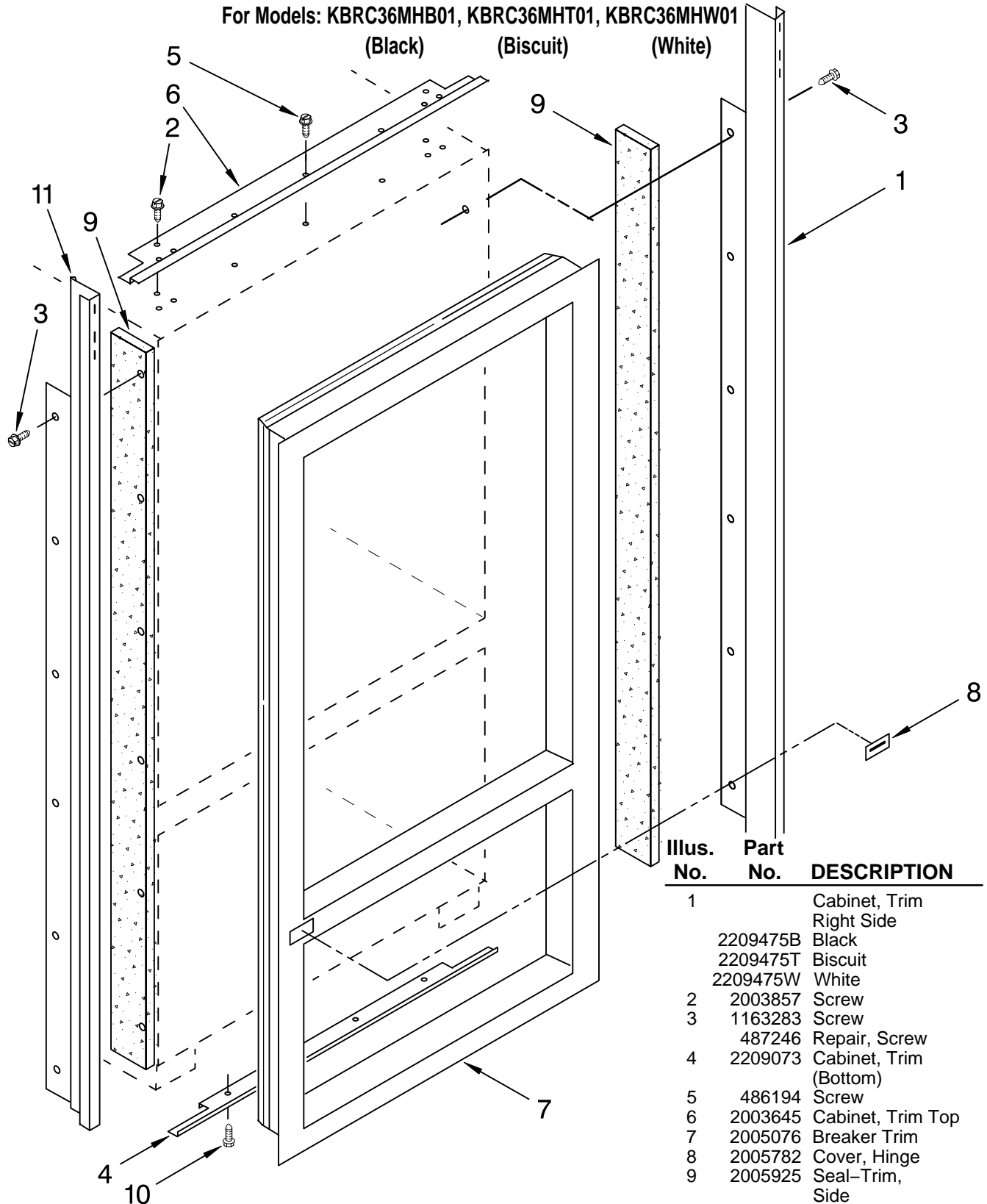
(White)

| Illus. No. | Part No.   | DESCRIPTION                      | Illus. No. | Part No. | DESCRIPTION                  | Illus. No. | Part No. | DESCRIPTION                |
|------------|------------|----------------------------------|------------|----------|------------------------------|------------|----------|----------------------------|
| 1          |            | LITERATURE PARTS                 | 6          | 2005006  | Grommet, Wiring              | 25         | 486194   | Screw                      |
|            | LIT2005193 | Use & Care Guide                 | 7          | 2005007  | Grommet, Flexible            | 27         | 2005920  | Bushing-Arm, Extension     |
|            | LIT2005194 | Energy Label                     | 8          | 2005921  | Screw                        | 28         | 2006388  | Gap, Cover (Bottom)        |
|            | LIT2207484 | Service & Wiring Sheet           | 9          | 2006442  | Mounting Bracket, Grill      | 29         | 2005101  | Hinge, Bottom Refrigerator |
|            | LIT628370  | Modular Icemaker Service Sheet   | 10         | 2005921  | Screw                        | 31         | 489282   | Screw                      |
|            | LIT2005214 | Installation Instructions        | 11         | 1112849  | Cap, Grommet                 | 32         |          | Skirt-Grille, Bottom       |
| 2          |            | Cabinet (Not A Serviceable Part) | 13         | 2204516  | Tube, Drain Condensate       |            | 2209157B | Black                      |
| 3          | 2005004    | Grommet, Tube Crossover          | 14         | 2207470  | Shim-Hinge, Door             |            | 2209157T | Biscuit                    |
| 4          | 1112023    | Roller, Front & Rear (4)         | 16         | 488946   | Tube, Clamp                  |            | 2209157W | White                      |
| 5          |            | Support, Leveler Assembly        | 17         | 2001295  | Screw, Door Stop             | 33         | 2006346  | Washer                     |
|            | 2004506    | Refrigerator Side                | 18         | 2005295  | Hinge, Door Refrigerator Top | 34         |          | Grille Base, Front         |
|            | 2004505    | Freezer Side                     | 19         | 2005783  | Cam-Closer, Door             |            | 2209426B | Black                      |
|            |            |                                  | 21         | 2207534  | Closer-Extension, Door       |            | 2209426T | Biscuit                    |
|            |            |                                  | 22         | 2002903  | Bushing                      |            | 2209426W | White                      |
|            |            |                                  | 24         | 2004517  | Spring, Door Closure         | 35         | 3400878  | Screw                      |
|            |            |                                  |            |          |                              | 36         | 2004512  | Cover, Rear                |
|            |            |                                  |            |          |                              | 37         | 2207518  | Grommet, Wiring            |
|            |            |                                  |            |          |                              | 41         | 1163283  | Screw                      |
|            |            |                                  |            |          |                              | 43         | 2001415  | Screw (4)                  |

FOR ORDERING INFORMATION REFER TO PARTS PRICE LIST

# CABINET AND BREAKER TRIM PARTS

For Models: KBRC36MHB01, KBRC36MHT01, KBRC36MHW01



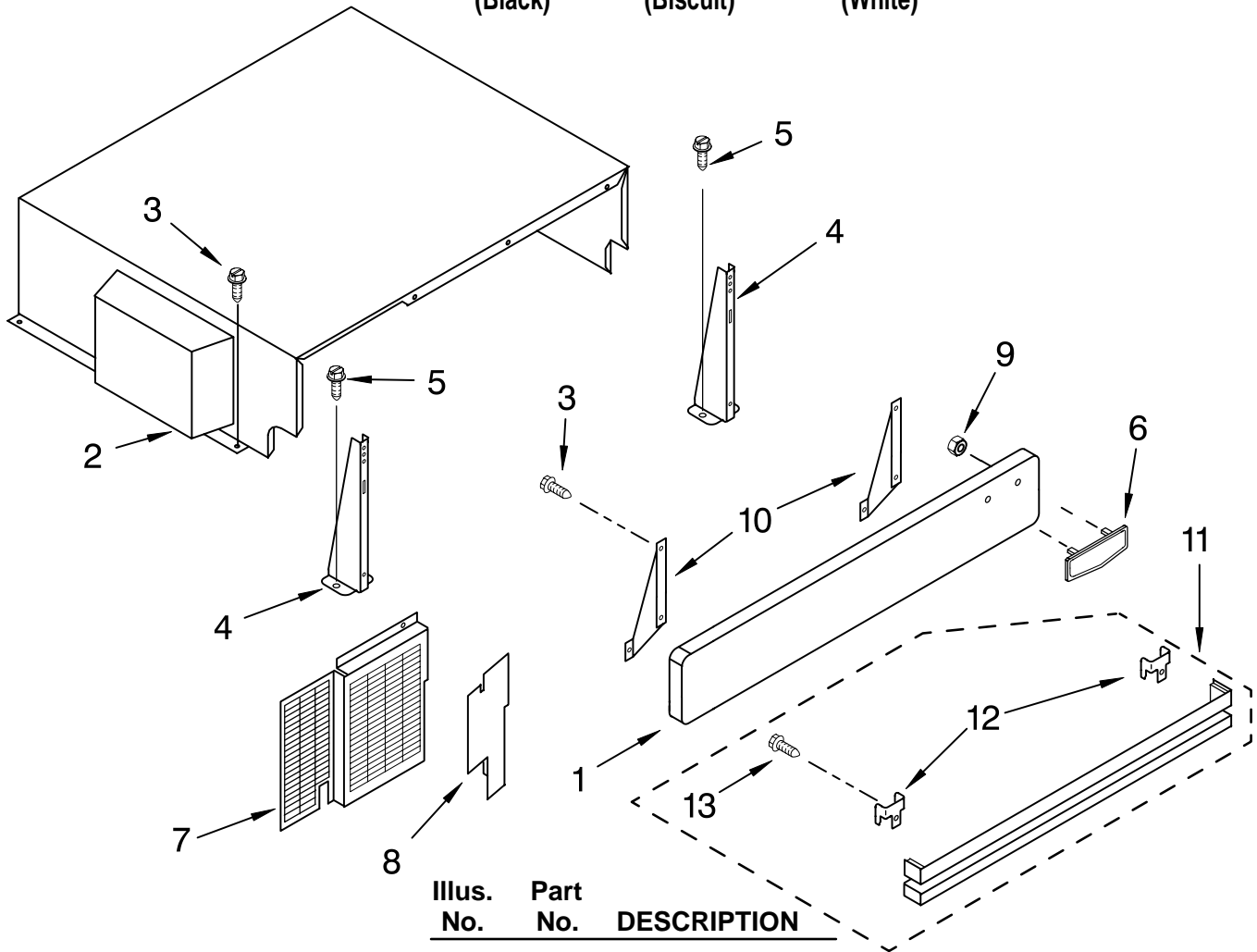
| Illus. No. | Part No. | DESCRIPTION              |
|------------|----------|--------------------------|
| 1          |          | Cabinet, Trim Right Side |
|            | 2209475B | Black                    |
|            | 2209475T | Biscuit                  |
|            | 2209475W | White                    |
| 2          | 2003857  | Screw                    |
| 3          | 1163283  | Screw                    |
|            | 487246   | Repair, Screw            |
| 4          | 2209073  | Cabinet, Trim (Bottom)   |
| 5          | 486194   | Screw                    |
| 6          | 2003645  | Cabinet, Trim Top        |
| 7          | 2005076  | Breaker Trim             |
| 8          | 2005782  | Cover, Hinge             |
| 9          | 2005925  | Seal-Trim, Side          |
| 10         | 489464   | Screw                    |
| 11         |          | Cabinet, Trim Left Side  |
|            | 2209485B | Black                    |
|            | 2209485T | Biscuit                  |
|            | 2209485W | White                    |

FOR ORDERING INFORMATION REFER TO PARTS PRICE LIST

# TOP GRILLE AND UNIT COVER PARTS

For Models: KBRC36MHB01, KBRC36MHT01, KBRC36MHW01

(Black) (Biscuit) (White)



| Illus. No. | Part No. | DESCRIPTION              |
|------------|----------|--------------------------|
| 1          |          | Top Grille Assembly      |
|            | 2209098B | Black                    |
|            | 2209098T | Biscuit                  |
|            | 2209098W | White                    |
| 2          | 2005549  | Cover, Unit              |
| 3          | 486194   | Screw                    |
| 4          | 2002484  | Grille, Bracket          |
| 5          | 2001415  | Screw                    |
| 6          |          | Nameplate                |
|            | 2005292  | Black                    |
|            | 2209118T | Biscuit                  |
|            | 2209118W | White                    |
| 7          | 2005534  | Guard, Compressor Wiring |
| 8          | 2006445  | Baffle-Air, Condenser    |
| 9          | 2004333  | Nut                      |
| 10         | 2005485  | Bracket, Trim Panel      |
| 11         |          | Louver, Vent             |
|            | 2006190  | Black                    |
|            | 2006191  | Biscuit                  |
|            | 2006189  | White                    |
| 12         | 2005483  | Bracket, Louver          |
| 13         | 488649   | Screw                    |

FOR ORDERING INFORMATION REFER TO PARTS PRICE LIST

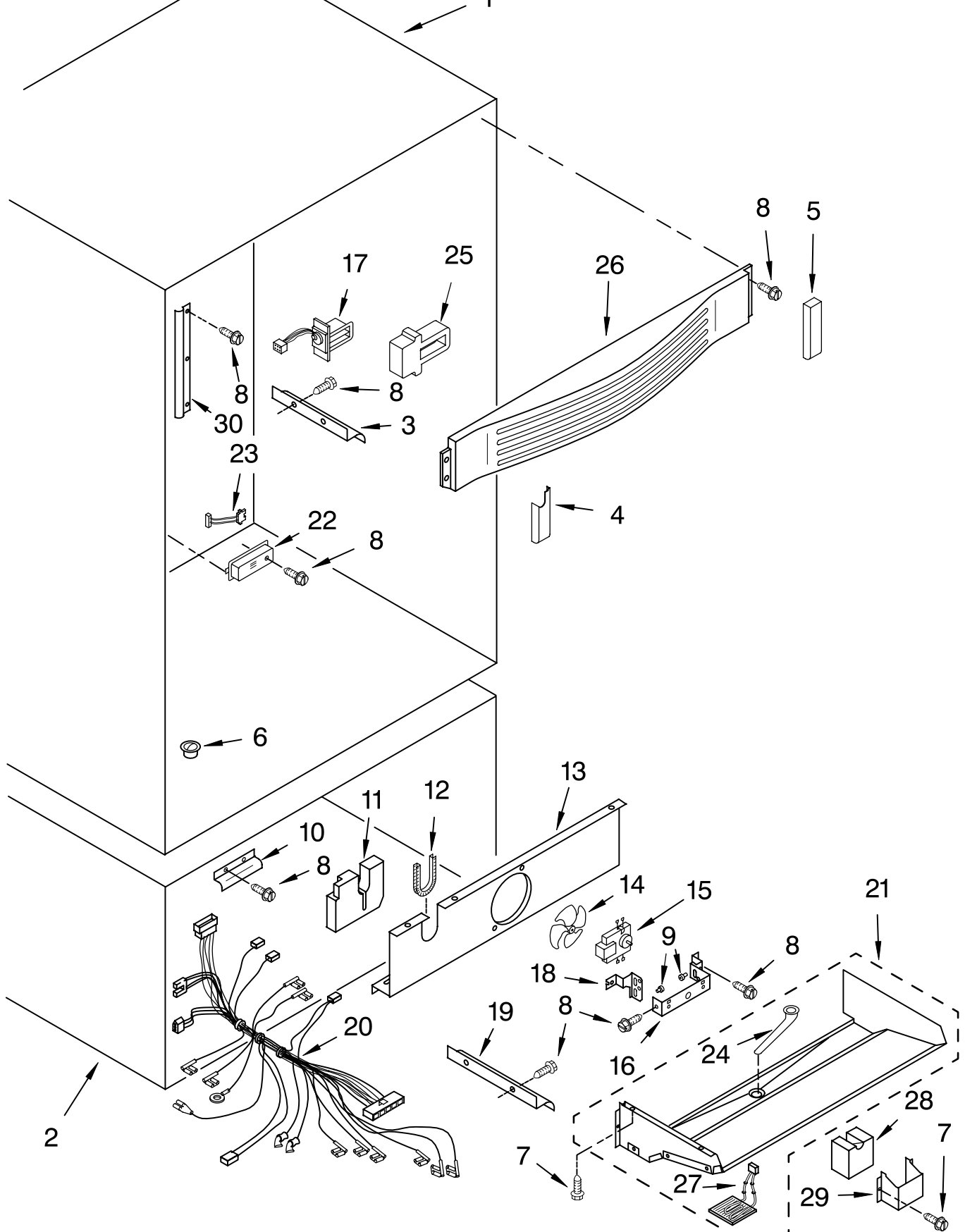
# LINER PARTS

For Models: KBRC36MHB01, KBRC36MHT01, KBRC36MHW01

(Black)

(Biscuit)

(White)



FOR ORDERING INFORMATION REFER TO PARTS PRICE LIST

# LINER PARTS

For Models: KBRC36MHB01, KBRC36MHT01, KBRC36MHW01

|               | (Black)     | (Biscuit) | (White) |  |
|---------------|-------------|-----------|---------|--|
| Illus.<br>No. | Part<br>No. |           |         | DESCRIPTION                                |
| 1             |             |           |         | Liner,<br>Refrigerator<br>(Not Servicable) |
| 2             |             |           |         | Liner,Freezer<br>(Not Servicable)          |
| 3             | 2005775     |           |         | Wiring Channel<br>Side                     |
| 4             | 2005932     |           |         | Diffuser Cap,<br>Left Side                 |
| 5             | 2005931     |           |         | Diffuser Cap,<br>Right Side                |
| 6             | 2171846     |           |         | Release Valve                              |
| 7             | 487539      |           |         | Screw, 8-15 x .500                         |
| 8             | 486194      |           |         | Screw                                      |
| 9             | 548268      |           |         | Grommet                                    |
| 10            | 2006148     |           |         | Wiring Channel,<br>Freezer Rear            |
| 11            | 2204505     |           |         | Foam, Fan Shroud                           |
| 12            | 2207430     |           |         | Grommet, Flexible                          |
| 13            | 2204506     |           |         | Shroud, Evaporator<br>Fan                  |
| 14            | 2169142     |           |         | Blade, Fan                                 |
| 15            | 2003200     |           |         | Motor, Fan                                 |
| 16            | 938224      |           |         | Bracket (Single)                           |
| 17            | 2005584     |           |         | Air Baffle<br>Assembly                     |
| 18            | 548263      |           |         | Bracket (Double)                           |
| 19            | 2006147     |           |         | Wiring Channel<br>Freezer, Side            |
| 20            | 2207481     |           |         | Wiring Harness,<br>Freezer                 |
| 21            | 2204504     |           |         | Cover, Evaporator<br>Assembly              |
| 22            | 1116793     |           |         | Cover, Thermistor                          |
| 23            | 1116959     |           |         | Thermistor                                 |
| 24            | 2204514     |           |         | Drain Tube,<br>Condesate                   |
| 25            | 2005117     |           |         | Insulation, Baffle                         |
| 26            | 2005422     |           |         | Cover, Air<br>Diffuser                     |
| 27            | 2204595     |           |         | Heater-Tube,<br>Drain                      |
| 28            | 2204538     |           |         | Insulation, Tube<br>Drain                  |
| 29            | 2204537     |           |         | Cover, Tube<br>Drain                       |
| 30            | 2006476     |           |         | Guard, Capillary<br>Tube                   |

FOR ORDERING INFORMATION REFER TO PARTS PRICE LIST

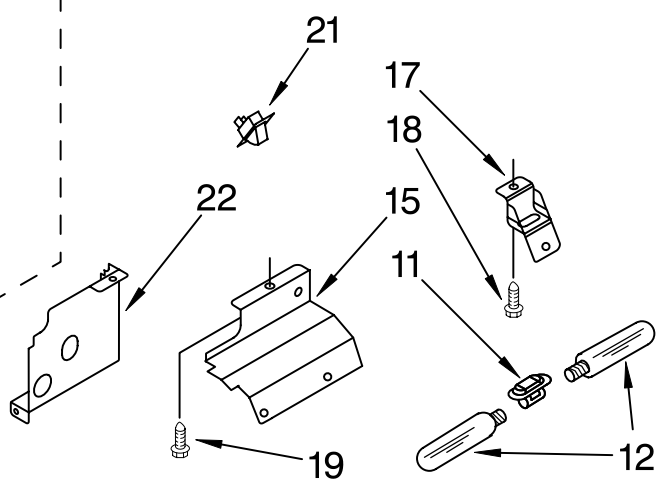
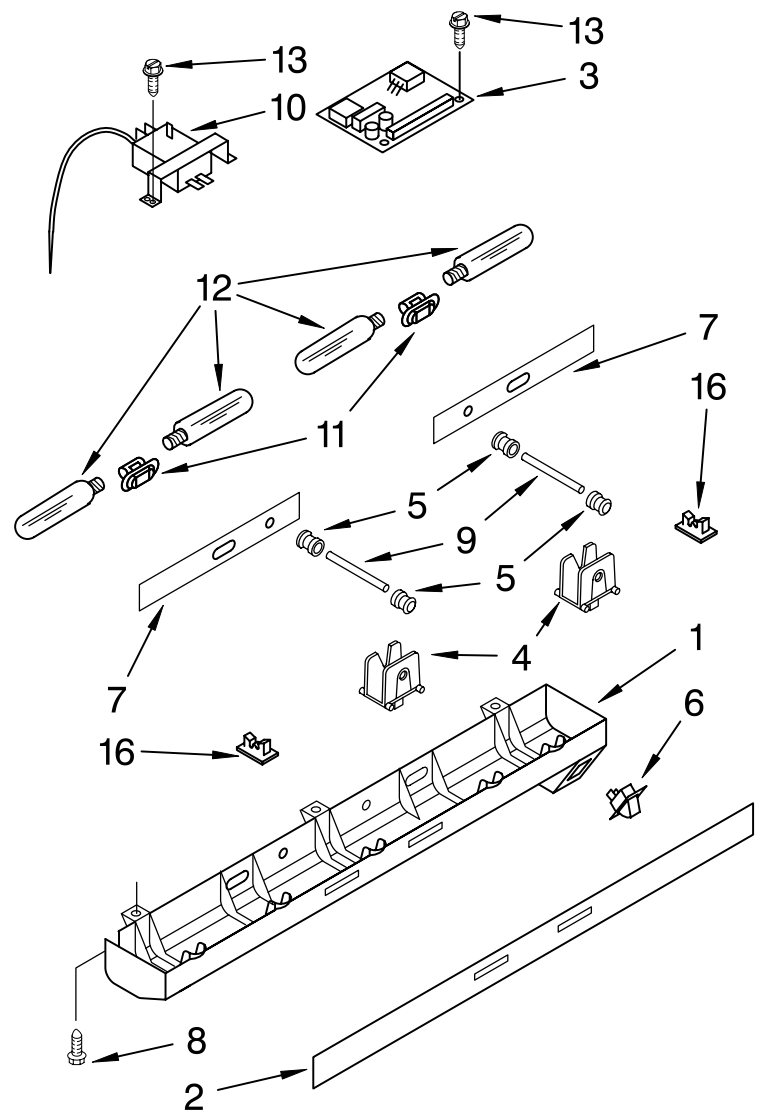
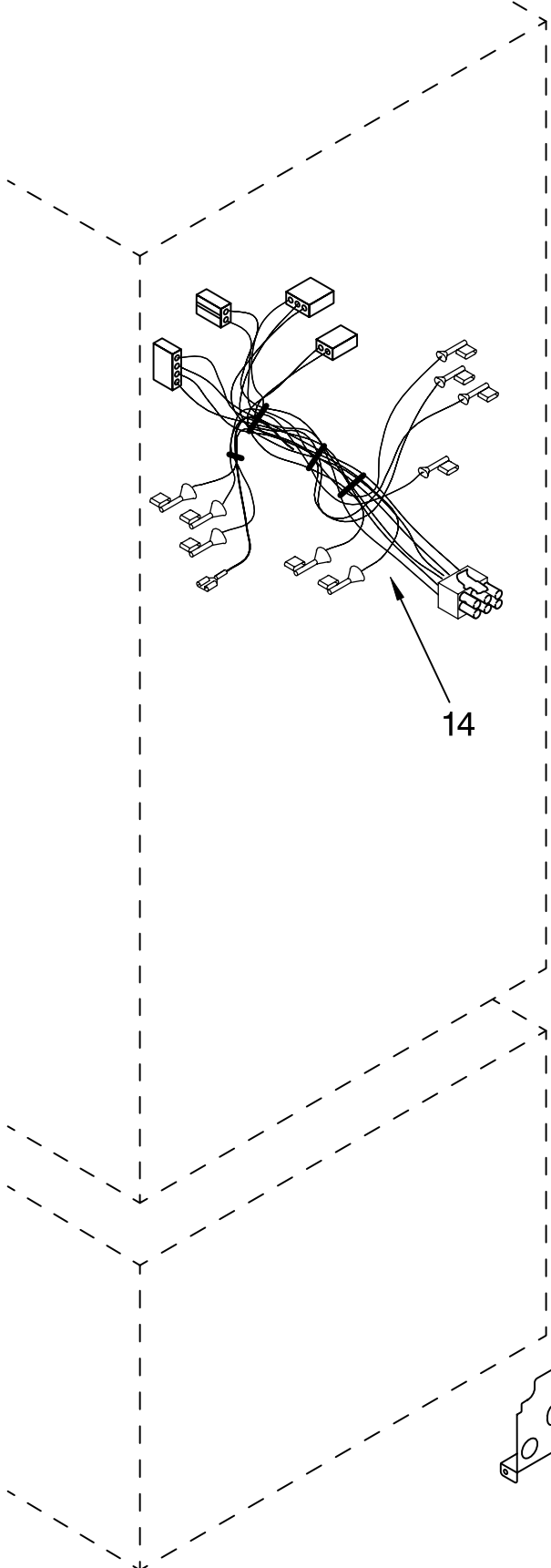
# CONTROL PANEL PARTS

For Models: KBRC36MHB01, KBRC36MHT01, KBRC36MHW01

(Black)

(Biscuit)

(White)



FOR ORDERING INFORMATION REFER TO PARTS PRICE LIST

# CONTROL PANEL PARTS

For Models: KBRC36MHB01, KBRC36MHT01, KBRC36MHW01

(Black)

(Biscuit)

(White)

| <b>Illus.<br/>No.</b> | <b>Part<br/>No.</b> | <b>DESCRIPTION</b>               |
|-----------------------|---------------------|----------------------------------|
| 1                     | 2005489             | Control Panel                    |
| 2                     | 2005940             | Overlay, Control<br>Panel        |
| 3                     | 2005585             | Circuit Board                    |
| 4                     | 2005414             | Slide, Control                   |
| 5                     | 2172906             | Grommet, Light<br>Fiber          |
| 6                     | 1118894             | Switch, Rocker Arm               |
| 7                     | 2005935             | Heat Shield, Lamp                |
| 8                     | 489260              | Screw (3)                        |
| 9                     | 2179920             | Fiber Optic                      |
| 10                    | 2207475             | Thermostat                       |
| 11                    | 2005043             | Socket, Light                    |
| 12                    | 548049              | Light Bulb                       |
| 13                    | 489214              | Screw                            |
| 14                    | 2207480             | Harness, Control<br>Box          |
| 15                    | 2207411             | Channel, Wiring<br>Freezer Light |
| 16                    | 1115375             | Clip, Wiring                     |
| 17                    | 2207410             | Bracket, Freezer<br>Light        |
| 18                    | 488500              | Screw                            |
| 19                    | 486194              | Screw                            |
| 21                    | 1115373             | Switch, Rocker                   |
| 22                    | 2005792             | Wiring Cover,<br>Icemaker        |

FOR ORDERING INFORMATION REFER TO PARTS PRICE LIST



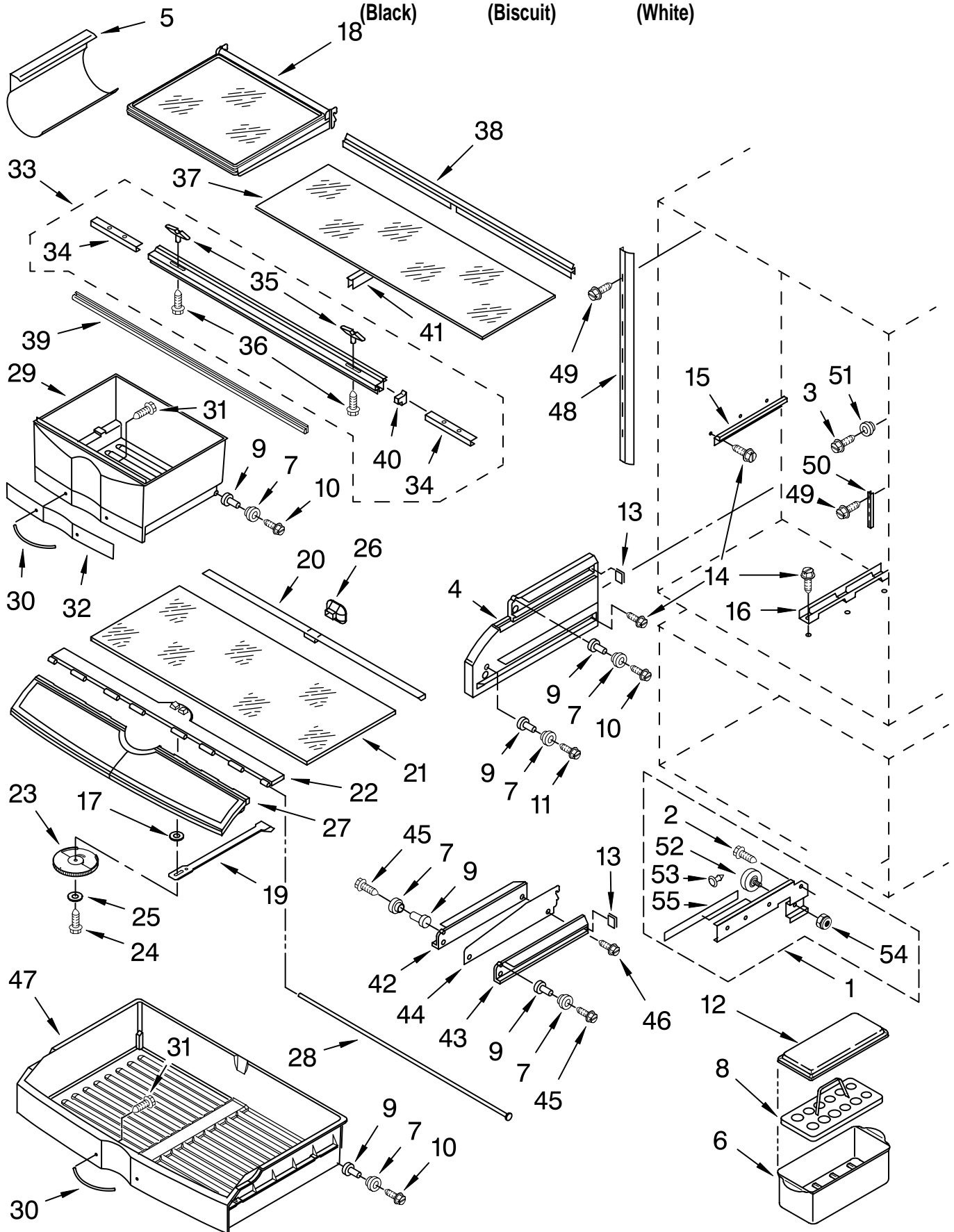
# REFRIGERATOR SHELF PARTS

For Models: KBRC36MHB01, KBRC36MHT01, KBRC36MHW01

(Black)

(Biscuit)

(White)



FOR ORDERING INFORMATION REFER TO PARTS PRICE LIST

# REFRIGERATOR SHELF PARTS

For Models: KBRC36MHB01, KBRC36MHT01, KBRC36MHW01

(Black)

(Biscuit)

(White)

| Illus. No. | Part No. | DESCRIPTION                | Illus. No. | Part No. | DESCRIPTION                   | Illus. No. | Part No. | DESCRIPTION                    |
|------------|----------|----------------------------|------------|----------|-------------------------------|------------|----------|--------------------------------|
| 1          |          | Slide, Freezer Basket      | 18         | 2005571  | Shelf (4)                     | 37         | 2005477  | Glass, Crisper Shelf           |
|            | 2207520  | Right Side                 | 19         | 2005429  | Air Damper, Deli              | 38         | 2005478  | Rail-Rear, Crisper Shelf       |
|            | 2207521  | Left Side                  | 20         | 2005151  | Rail-Rear, Deli               | 39         | 2005479  | Seal-Front, Crisper Shelf      |
| 2          | 9751808  | Screw, 8-15 x 1.000        | 21         | 2005152  | Glass Shelf, Deli             | 40         | 2005984  | Insulation, Crisper Rail       |
| 3          | 8281158  | Screw, 8-18 x 1.375        | 22         | 2005153  | Rail-Front, Deli              | 41         | 2005985  | Baffle-Center, Crisper Shelf   |
| 4          |          | Spacer, Crisper Right Side | 23         | 2005415  | Control Knob, Deli            | 42         | 2005794  | Center Support, Left Half      |
|            | 2005138  | Left Side                  | 24         | 2207456  | Screw, 8-18 x .625            | 43         | 2005795  | Center Support, Right Half     |
| 5          | 2179375  | Rack, Wine                 | 25         | 2207549  | Washer                        | 44         | 2005796  | Bracket, Center Support        |
| 6          | 2169933  | Egg Bin                    | 26         | 2005165  | Connector, Deli Pan           | 45         | 2003478  | Screw, 10-16 x .625            |
| 7          | 2188212  | Roller                     | 27         | 2005428  | Lid, Deli Pan                 | 46         | 2006235  | Screw, 10-16 x .375            |
| 8          | 2164373  | Egg Carrier                | 28         | 2005923  | Hinge Rod, Deli Pan           | 47         | 2005163  | Deli Pan                       |
| 9          | 2174478  | Eyelet, Roller             | 29         | 2005157  | Crisper Pan                   | 48         | 2005410  | Ladder, Shelf (4)              |
| 10         | 489211   | Screw, 10-16 x .750        | 30         | 2005480  | Handle, Crisper Pan           | 49         | 2006475  | Screw, Ladder, Crisper Support |
| 11         | 489261   | Screw                      | 31         | 2006253  | Screw, 8-32 x .340            | 50         | 2005797  | Shelf Stud                     |
| 12         | 2169935  | Cover                      | 32         | 2005986  | Overlay, Crisper Pan          | 51         | 2196205  | Shelf Stud                     |
| 13         | 1113169  | Roller Stop                | 33         | 2005424  | Rail-Front, Crisper Shelf     | 52         | 2207462  | Roller                         |
| 14         | 486194   | Screw                      | 34         | 2005425  | Vent, Crisper Shelf           | 53         | 2207522  | Bumper                         |
| 15         | 2005987  | Support, Crisper Shelf (2) | 35         | 2005413  | Slide-Humidity, Crisper Shelf | 54         | 2207415  | Nut                            |
| 16         | 2006454  | Rail, Deli Center          | 36         | 2006254  | Screw, 6-19 x .250            | 55         | 2207569  | Shim                           |
| 17         | 2006252  | Washer                     |            |          |                               |            |          |                                |

FOR ORDERING INFORMATION REFER TO PARTS PRICE LIST

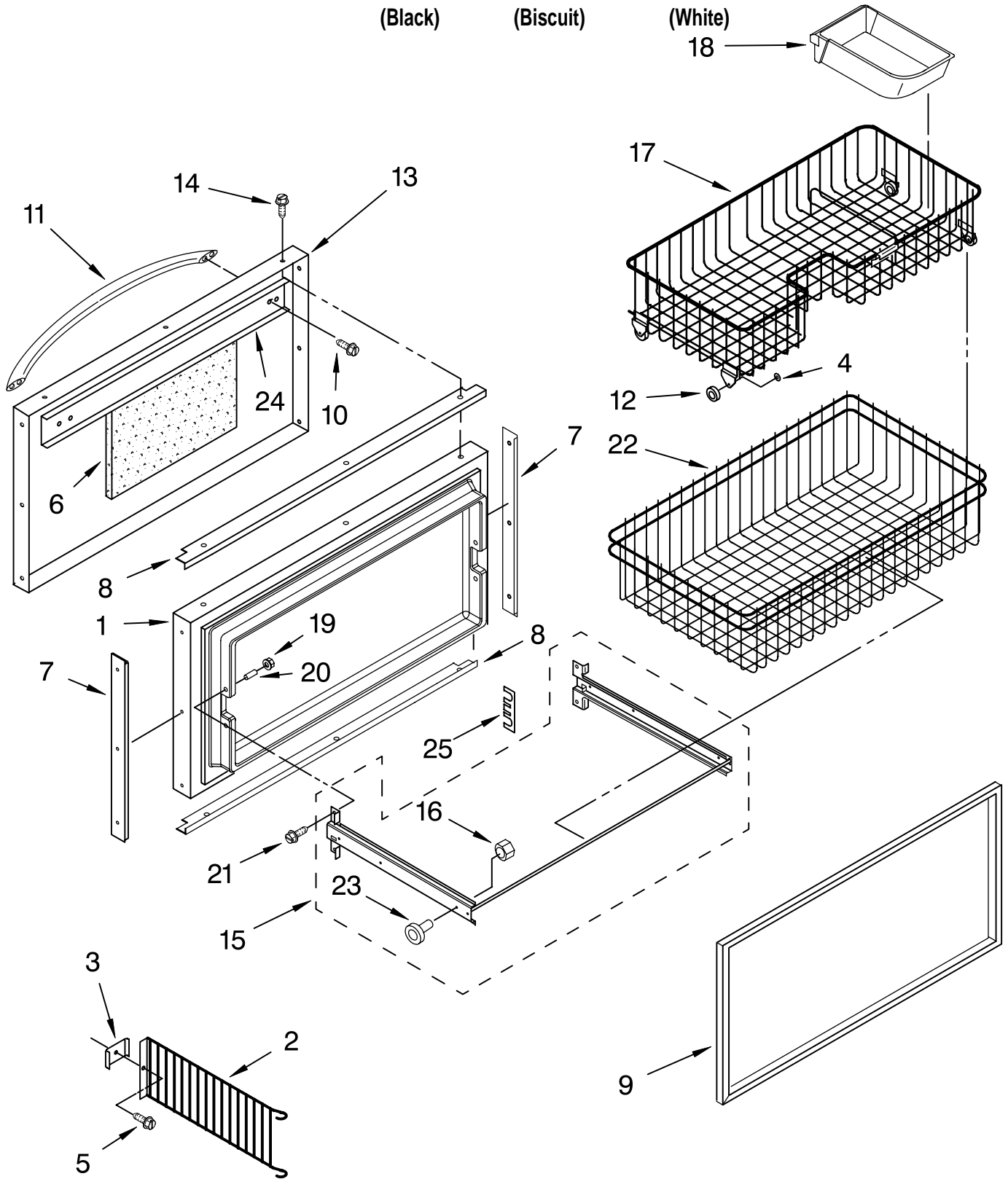
# FREEZER DOOR AND BASKET PARTS

For Models: KBRC36MHB01, KBRC36MHT01, KBRC36MHW01

(Black)

(Biscuit)

(White)



FOR ORDERING INFORMATION REFER TO PARTS PRICE LIST

# FREEZER DOOR AND BASKET PARTS

For Models: KBRC36MHB01, KBRC36MHT01, KBRC36MHW01

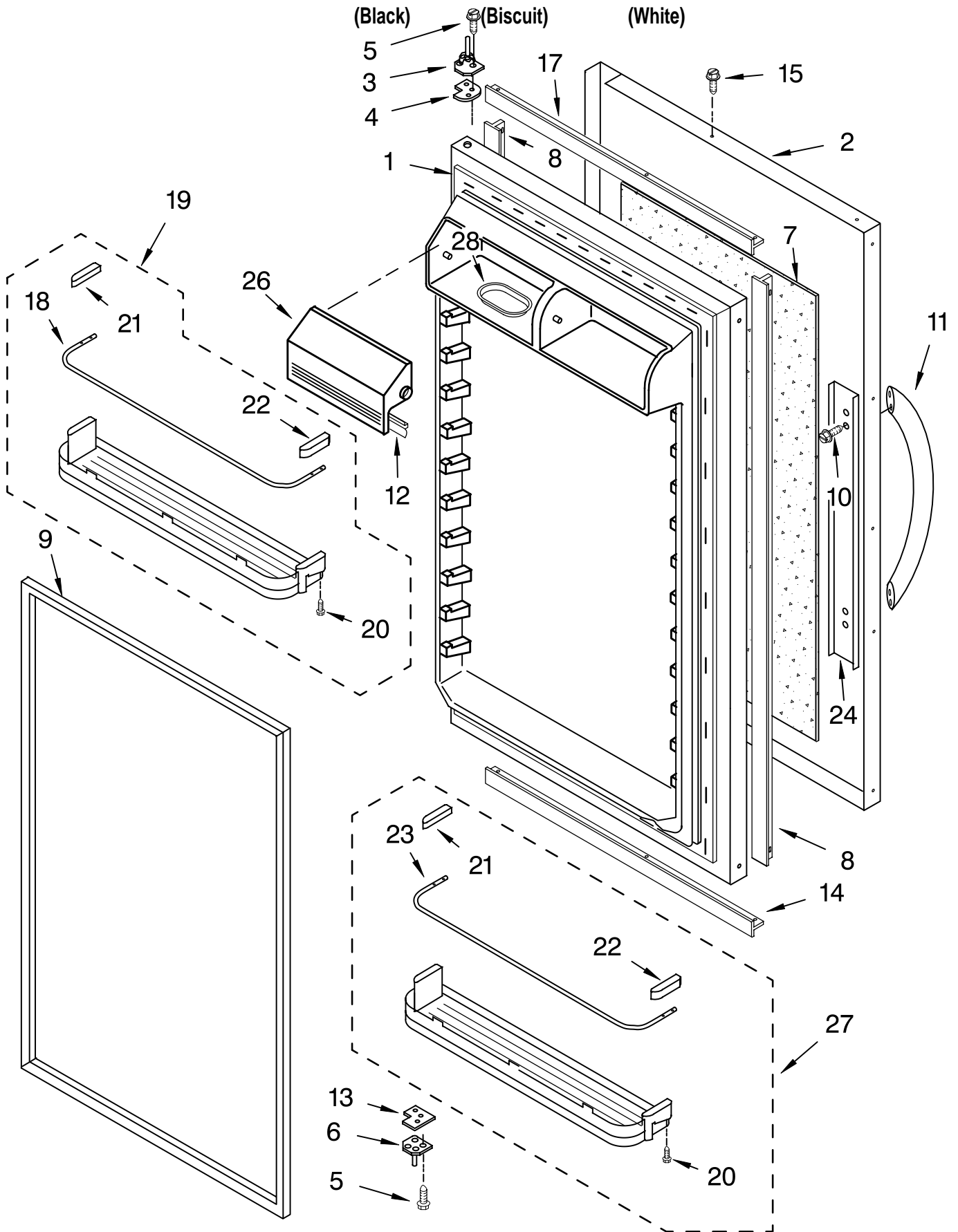
(Black)                      (Biscuit)                      (White)

| Illus.<br>No. | Part<br>No. | DESCRIPTION                          |
|---------------|-------------|--------------------------------------|
| 1             | 2207525     | Freezer Door Panel (Includes Item 9) |
| 2             | 2204525     | Divider, Basket                      |
| 3             | 2207429     | Clamp, Divider                       |
| 4             | 2207415     | Nut, Crimp                           |
| 5             | 488649      | Screw                                |
| 6             | 2005400     | Foam, Filler                         |
| 7             | 2006139     | Spacer, Door Edge Side               |
| 8             | 2006138     | Spacer, Door Edge Top & Bottom       |
| 9             | 2188411     | Door Gasket, Magnetic                |
| 10            | 308544      | Screw                                |
| 11            |             | Handle, Door                         |
|               | 2209095B    | Black                                |
|               | 2209095T    | Biscuit                              |
|               | 2209095W    | White                                |
| 12            | 2204542     | Roller                               |
| 13            |             | Skin, Door                           |
|               | 2209106B    | Black                                |
|               | 2209106T    | Biscuit                              |
|               | 2209106W    | White                                |
| 14            | 487052      | Screw                                |
| 15            | 2207533     | Bracket, Assembly Freezer Basket     |
| 16            | 2207415     | Nut                                  |
| 17            | 2005376     | Basket, Upper                        |
| 18            | 2174124     | Pan, Ice Cube                        |
| 19            | 2207454     | Nut, Hex                             |
| 20            | 2207471     | Bushing                              |
| 21            | 3400507     | Screw                                |
| 22            | 2006244     | Basket, Freezer Lower                |
| 23            | 2207550     | Roller                               |
| 24            | 2209202     | Plate-Door, Handle                   |
| 25            | 2207576     | Spacer                               |

FOR ORDERING INFORMATION REFER TO PARTS PRICE LIST

# REFRIGERATOR DOOR PARTS

For Models: KBRC36MHB01, KBRC36MHT01, KBRC36MHW01



FOR ORDERING INFORMATION REFER TO PARTS PRICE LIST

# REFRIGERATOR DOOR PARTS

For Models: KBRC36MHB01, KBRC36MHT01, KBRC36MHW01

(Black)

(Biscuit)

(White)

| <u>Illus. No.</u> | <u>Part No.</u> | <u>DESCRIPTION</u>                  |
|-------------------|-----------------|-------------------------------------|
| 1                 | 2005168         | Refrigerator Door (Includes Item 9) |
| 2                 |                 | Skin, Door                          |
|                   | 2209105B        | Black                               |
|                   | 2209105T        | Biscuit                             |
|                   | 2209105W        | White                               |
| 3                 | 2005171         | Hinge Assembly, Top                 |
| 4                 | 2004520         | Spacer-Hinge, Top                   |
| 5                 | 489282          | Screw, 10-32 x .750                 |
| 6                 | 2003986         | Hinge Assembly, Bottom              |
| 7                 | 2005397         | Filler, Foam                        |
| 8                 | 2006140         | Spacer, Door Edge Side              |
| 9                 | 2188410         | Door Gasket, Magnetic               |
| 10                | 308544          | Screw, 10 - 24 x .500               |
| 11                |                 | Handle, Door                        |
|                   | 2209095B        | Black                               |
|                   | 2209095T        | Biscuit                             |
|                   | 2209095W        | White                               |
| 12                | 2005982         | Gasket (2)                          |
| 13                | 2003982         | Spacer-Hinge, Bottom                |
| 14                | 2207417         | Spacer, Door Edge Bottom            |
| 15                | 487052          | Screw                               |
| 17                | 2207440         | Spacer, Door Edge Top               |
| 18                | 2005482         | Tube, Door Shelf                    |
| 19                | 2005417         | Shelf, Door (2)                     |
| 20                | 489276          | Screw, 8-18 x .750                  |
| 21                | 2005542         | End Cap, Left                       |
| 22                | 2005541         | End Cap, Right                      |
| 23                | 2006152         | Tube, Door Shelf (Gallon)           |
| 24                | 2209202         | Plate-Door, Handle                  |
| 26                | 2005419         | Door, Utility Bin (2)               |
| 27                | 2006154         | Door Shelf, Gallon                  |
| 28                | 2165792         | Butter Tray                         |

FOR ORDERING INFORMATION REFER TO PARTS PRICE LIST

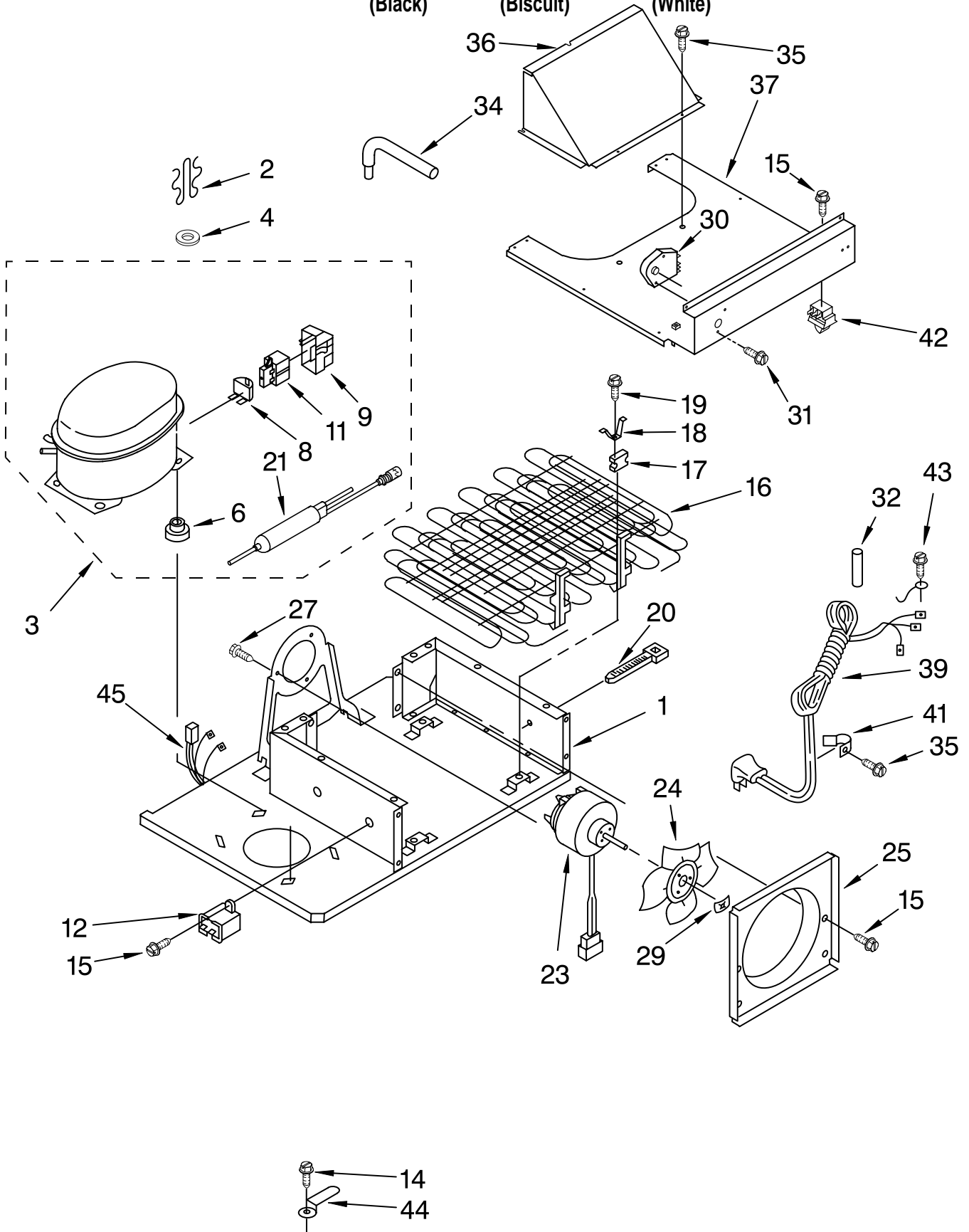
# UPPER UNIT PARTS

For Models: KBRC36MHB01, KBRC36MHT01, KBRC36MHW01

(Black)

(Biscuit)

(White)



FOR ORDERING INFORMATION REFER TO PARTS PRICE LIST

# UPPER UNIT PARTS

For Models: KBRC36MHB01, KBRC36MHT01, KBRC36MHW01

(Black)

(Biscuit)

(White)

| Illus. No. | Part No. | DESCRIPTION   |
|------------|----------|---|
| 1          | 2003398  | Assembly, Unit Base   |
| 2          | 2163787  | Clip, Compressor Mounting (4)   |
| 3          | 2183418  | Compressor (Includes Items 7, 8, 9, 11, 12 & 21) (Also Order 876765 Tube Kit) |
| 4          | 680975   | Washer  |
| 6          | 2163786  | Grommet, Mounting   |
| 8          | 2154760  | Overload (Includes Relay)   |
| 9          | 2162358  | Terminal Cover  |
| 11         | 1108143  | Relay   |
| 12         | 2169137  | Capacitor   |
| 14         | 486899   | Screw   |
| 15         | 487869   | Screw   |
| 16         | 2003392  | Condenser   |
| 17         | 943447   | Grommet (4)   |
| 18         | 1113019  | Clamp (4)   |
| 19         | 487522   | Screw   |

| Illus. No. | Part No. | DESCRIPTION                      |
|------------|----------|----------------------------------|
| 20         | 851095   | Wire Tie (2)                     |
| 21         | 2202581  | Drier                            |
| 23         | 2208903  | Motor, Fan                       |
| 24         | 2190685  | Blade, Fan                       |
| 25         | 2003169  | Orifice, Fan                     |
| 27         | 489099   | Screw (3)                        |
| 29         | 486692   | Speed Nut                        |
| 30         | 2188371  | Defrost Timer                    |
| 31         | 488911   | Screw                            |
| 32         | 2000645  | Sleeve, Condenser                |
| 34         | 2003011  | Process, Tube                    |
| 35         | 486194   | Screw                            |
| 36         | 2003174  | Cover, Fan                       |
| 37         | 2005535  | Cover, Condenser                 |
| 39         | 2003381  | Service Cord                     |
| 41         | 1113162  | Clamp, Cord (2)                  |
| 42         | 1113229  | Switch, Power Disconnect         |
| 43         | 488879   | Screw, Ground                    |
| 44         | 653035   | Clip, Cord Plug                  |
| 45         | 2207479  | Wiring Harness, Unit Compartment |

| Illus. No.  | Part No. | DESCRIPTION           |
|---|----------|-----------------------|
| Following Parts Not Illustrated and Optional Parts Not Included |          |                       |
|   | 978025   | Valve, Access (1/4")  |
|   | 978026   | Valve, Access (5/16") |
|   | 978027   | Valve, Access (3/8")  |
|   | 978028   | Valve, Access (1/2")  |
|   | 978029   | Valve, Access (5/8")  |
|   | 978030   | Valve, Access (3/4")  |
|   | 876764   | Valve, Access (3/16") |
| <b>REFRIGERANT CHARGE</b>                                       |          |                       |
| 6.50 oz.<br>(R-134A)  |          |                       |



FOR ORDERING INFORMATION REFER TO PARTS PRICE LIST



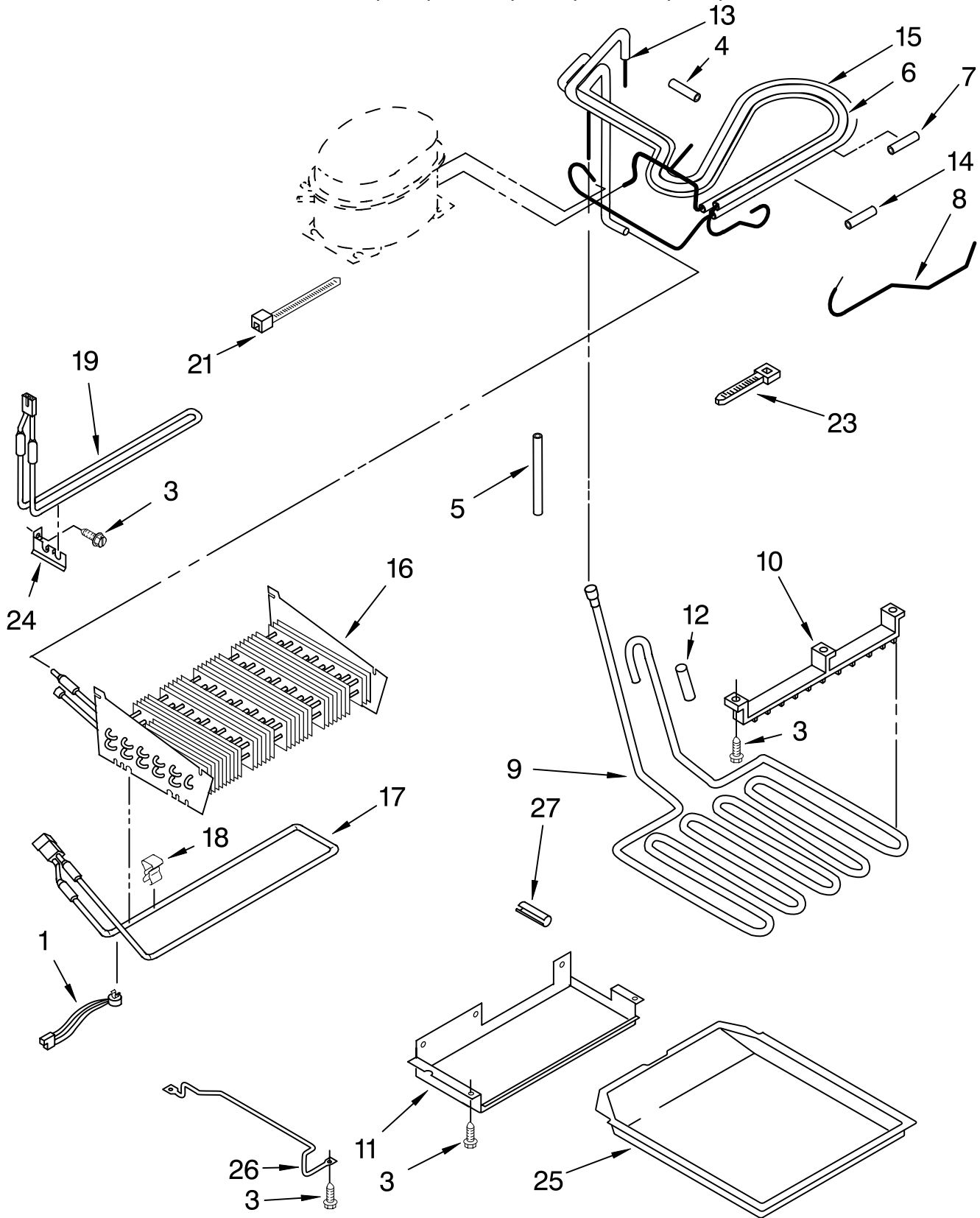
# LOWER UNIT AND TUBE PARTS

For Models: KBRC36MHB01, KBRC36MHT01, KBRC36MHW01

(Black)

(Biscuit)

(White)



FOR ORDERING INFORMATION REFER TO PARTS PRICE LIST

# LOWER UNIT AND TUBE PARTS

For Models: KBRC36MHB01, KBRC36MHT01, KBRC36MHW01

(Black)

(Biscuit)

(White)

| <u>Illus. No.</u> | <u>Part No.</u> | <u>DESCRIPTION</u>                    |
|-------------------|-----------------|---------------------------------------|
| 1                 | 2207482         | Defrost Bi-Metal                      |
| 3                 | 486194          | Screw                                 |
| 4                 | 2003271         | Sleeve                                |
| 5                 | 2002171         | Sleeve                                |
| 6                 | 2005577         | Condenser<br>Inlet Tube               |
| 7                 | 2005576         | Sleeve                                |
| 8                 | 2003015         | Tube, Connect<br>(Drier)              |
| 9                 | 2004545         | Heater, Drain Pan                     |
| 10                | 1113062         | Hanger, Heater                        |
| 11                | 2005908         | Shield, Drain Pan                     |
| 12                | 2002448         | Sleeve                                |
| 13                | 2002995         | Tube, Discharge                       |
| 14                | 2003272         | Sleeve                                |
| 15                | 2005103         | Heat Exchanger                        |
| 16                | 2204539         | Evaporator<br>(Also Order<br>Item 15) |
| 17                | 2207485         | Heater, Defrost<br>Front              |
| 18                | 2204510         | Clamp, Heater (4)                     |
| 19                | 2207486         | Heater, Defrost<br>Rear               |
| 21                | 857547          | Wire Tie                              |
| 23                | 851095          | Strap                                 |
| 24                | 2204543         | Support, Heater                       |
| 25                | 2001264         | Drain Pan                             |
| 26                |                 | Bracket, Drain Pan                    |
|                   | 1113206         | Left                                  |
|                   | 1113207         | Right                                 |
| 27                | 513942          | Dampener                              |

FOR ORDERING INFORMATION REFER TO PARTS PRICE LIST

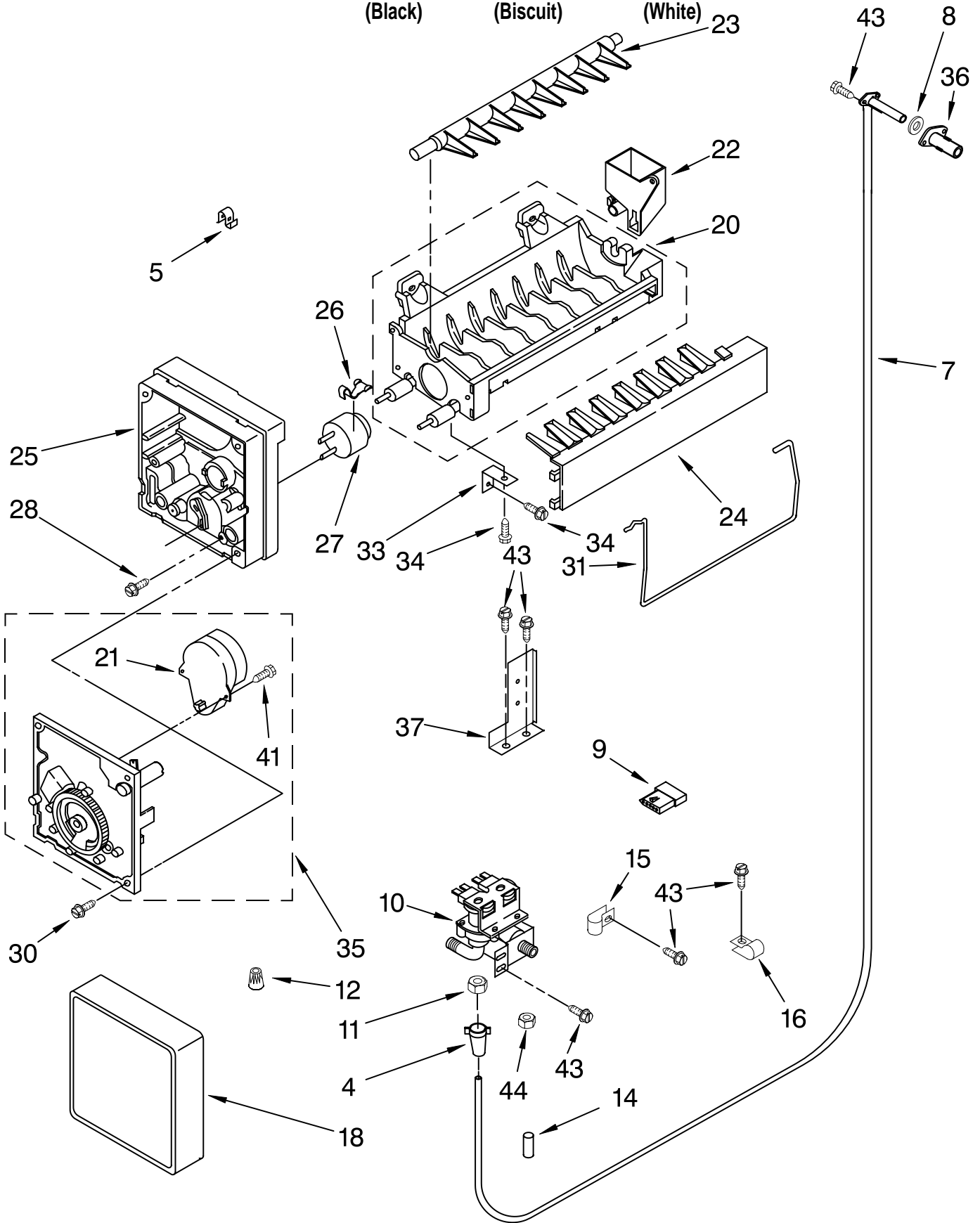
# ICEMAKER PARTS

For Models: KBRC36MHB01, KBRC36MHT01, KBRC36MHW01

(Black)

(Biscuit)

(White)



FOR ORDERING INFORMATION REFER TO PARTS PRICE LIST

# ICEMAKER PARTS

For Models: KBRC36MHB01, KBRC36MHT01, KBRC36MHW01

(Black)

(Biscuit)

(White)

| Illus. No. | Part No. | DESCRIPTION  |
|------------|----------|--|
| 4          | 841707   | Insert, Tube   |
| 5          | 628379   | Clip, Fuse   |
| 7          | 2005009  | Water Inlet<br>Tube Assembly                               |
| 8          | 1106508  | Seal Gasket  |
| 9          | 2154472  | Connector  |
| 10         | 2006766  | Valve, Solenoid  |
| 11         | 627018   | Nut, Compression   |
| 12         | 227991   | Connector, Wire  |
| 14         | 2003457  | Plug, Water Valve  |
| 15         | 489348   | Clamp, Nylon<br>Valve                                      |
| 16         | 488946   | Clamp Tube   |
| 18         | 2174155  | Cover  |
| 20         | 628228   | Mold & Heater<br>(Also Order<br>542638 Silicone<br>Grease) |
| 21         | 628398   | Motor  |
| 22         | 628356   | Cup-Water Fill   |
| 23         | 2194711  | Ejector  |
| 24         | 2182124  | Ice Striper  |
| 25         | 2194712  | Support  |
| 26         | 627796   | Retainer<br>Thermostat (2)                                 |
| 27         | 627985   | Thermostat<br>(Also Order<br>542639 Cement<br>Alumilastic) |
| 28         | 489322   | Screw  |
| 30         | 489276   | Screw  |
| 31         | 2208981  | Shut Off Arm   |
| 33         | 2171952  | Bracket  |
| 34         | 489478   | Screw  |
| 35         | 628399   | Module Assembly<br>(Includes Items<br>21 & 41)             |
| 36         | 2004594  | Heater, Fill<br>Tube                                       |
| 37         | 2004914  | Water Valve<br>Mounting Bracket                            |
| 41         | 489136   | Screw (2)  |
| 43         | 486194   | Screw  |
| 44         | 1129179  | Compression Nut  |
| 100        | 4317943  | Complete Ice maker<br>Assembly                             |

FOR ORDERING INFORMATION REFER TO PARTS PRICE LIST