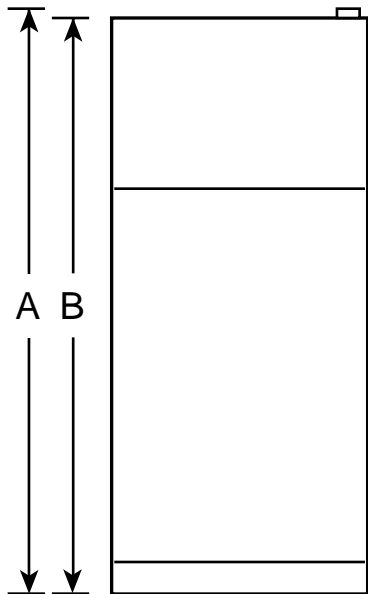


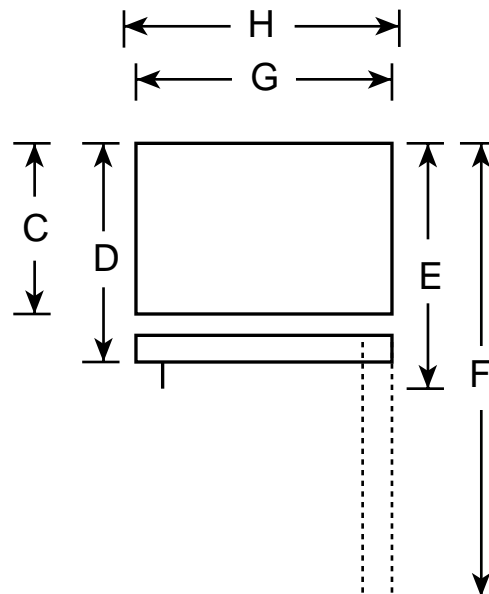
# HOTPOINT

## HTR15ABM—Hotpoint 14.6 Cu. Ft. Top-Freezer Refrigerator

Front View



Top View



Overall Dimensions	Height with hinge (in.) <b>A</b>	<b>61-3/4</b>
	Height without hinge (in.) <b>B</b>	<b>61-1/4</b>
	Depth without Doors (in.) <b>C</b>	<b>25-7/8</b>
	Depth with Doors (in.) <b>D</b>	<b>29-1/8</b>
	Depth plus Handle with Doors Closed (in.) <b>E</b>	<b>29-1/8</b>
	Depth with Doors open 90° (in.) <b>F</b>	<b>54-7/8</b>
	Width with Doors Closed (in.) <b>G</b>	<b>28</b>
	Width with Doors open 90° Less Door Handles (in.) <b>H</b>	<b>28-5/8</b>
Air Clearances	Each side (in.)	<b>3/4</b>
	Top (in.)	<b>1</b>
	Back (in.)	<b>1</b>

**Note:** Before installing, consult installation instructions packed with product for current dimensional data.



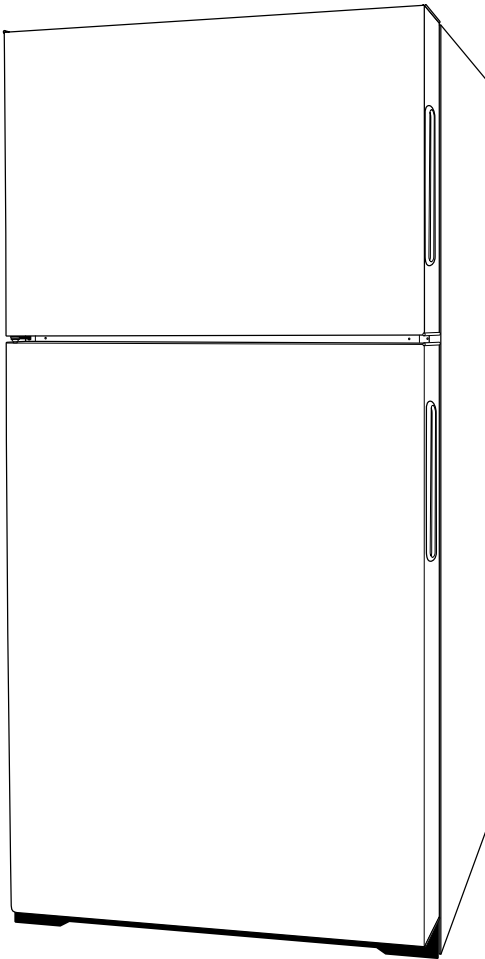
Total volume and shelf area are calculated by the Association of Home Appliance Manufacturers' standards.



Listed by Underwriters Laboratories

# HOTPOINT

## HTR15ABM—Hotpoint 14.6 Cu. Ft. Top-Freezer Refrigerator



### Features and Benefits

- 14.6 cu. ft. Capacity (Fresh Food 10.72 cu. ft. / Freezer 3.86 cu. ft.)
- Equipped for Optional Automatic Icemaker
- 1 Full-Width White Vegetable/Fruit Crisper
- 2 Fixed Fresh Food Door Shelves with Tall Bottle Storage
- 2 Adjustable Full-Width Wire Everwhite Fresh Food Cabinet Shelves
- 2 Fixed Freezer Door Shelves
- 1 Ice 'N Easy Tray
- Deluxe Quiet Design
- Color-Matched Recessed Door Handles
- Model HTR15ABMWW—White on white
- Model HTR15ABMAA—Almond on almond