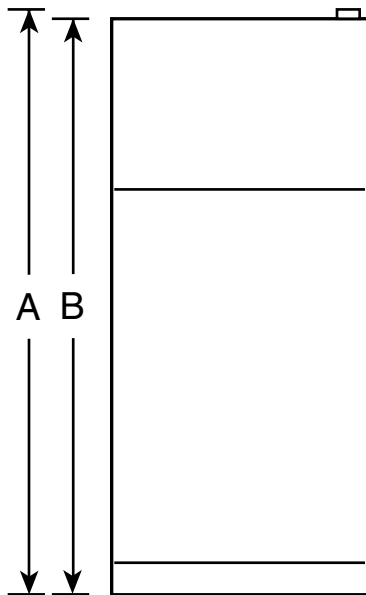


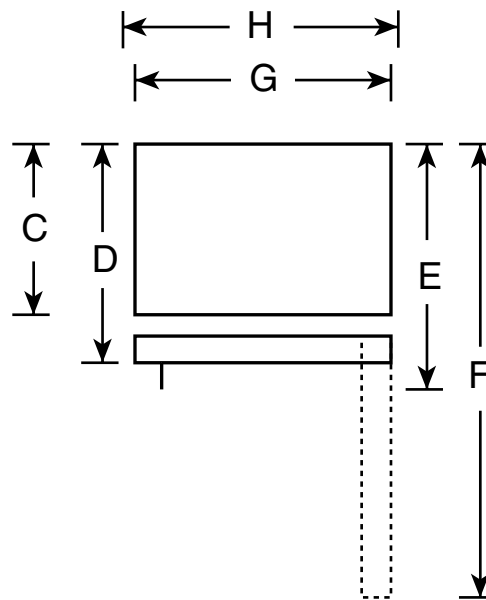
HOTPOINT®

HTH18GBT – Hotpoint® ENERGY STAR® 18.2 Cu. Ft. Top-Freezer Refrigerator

Front View



Top View



Overall Dimensions	Height to top of hinge (in.) A	67-3/8
	Height to top of case (in.) B	66-7/8
	Height to mid-freezer (in.)	57
	Case depth without door (in.) C	26-3/4
	Case depth less door handle (in.) D	30-1/2
	Case depth with door handle (in.) E	32-3/8
	Depth with fresh food door open 90° (in.) F	56-3/8
	Width (in.) G	28
Air Clearances	Width with door open 90° with door handle (in.) H	30-3/4
	Each side (in.)	3/4
	Top (in.)	1
	Back (in.)	1

Note: Before installing, consult installation instructions packed with product for current dimensional data.

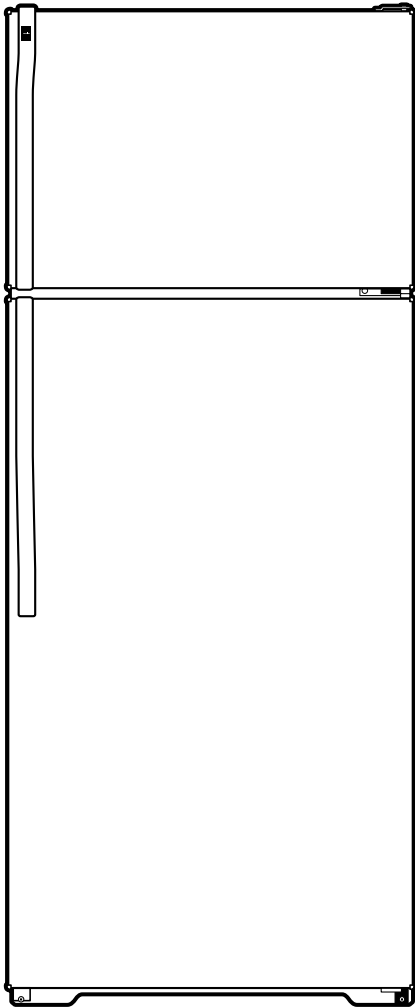
Note: All Top-Freezer No-Frost Right-Hand Refrigerator Doors: As you face the front of the refrigerator, the handle is on your left and the hinges are on your right.

All Top-Freezer No-Frost Left-Hand Refrigerator Doors: As you face the front of the refrigerator, the handle is on your right and the hinges are on your left.





HTH18GBT – Hotpoint® ENERGY STAR® 18.2 Cu. Ft. Top-Freezer Refrigerator



Features and Benefits

- Upfront Temperature Controls - Are positioned up front, close at hand, for maximum convenience and ease of use
- Adjustable Glass Shelves - Lets consumers maximize usable storage space
- Gallon Door Storage - Makes room for milk and any other gallon size containers
- Can Storage Shelf - Soda can storage shelf conveniently dispenses soft drinks
- Vegetable/Fruit Crisper - For easy storage of fruits and vegetables
- NeverClean™ Condenser - Condenser coils are encased, so they don't require cleaning in normal operating environments
- Deluxe Quiet Design - Significantly reduces operating noise
- Square Doors - Classic design that's compatible with any kitchen décor
- Model HTH18GBTWW – White
- Model HTH18GBTCC – Bisque