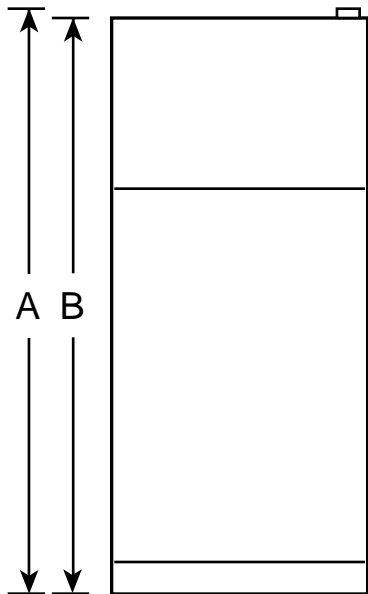


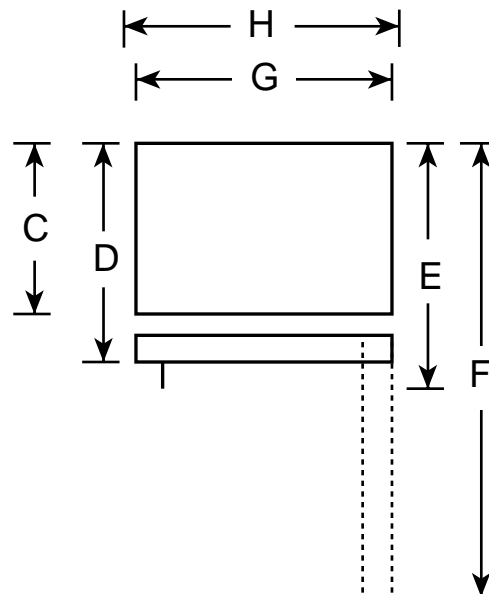
HOTPOINT

CTX19MACAA - Hotpoint 19.0 Cu. Ft. Top-Freezer Refrigerator

Front View



Top View



Overall Dimensions	Height with hinge (in.) A	64-3/4
	Height without hinge (in.) B	64
	Depth without Doors (in.) C	27-1/2
	Depth with Doors (in.) D	29-13/16
	Depth plus Handle with Doors Closed (in.) E	31-1/2
	Depth with Doors open 90° (in.) F	58
	Width with Doors Closed (in.) G	29-3/8
	Width with Doors open 90° Less Door Handles (in.) H	29-3/8
Air Clearances	Each side (in.)	3/4
	Top (in.)	1
	Back (in.)	1

Note: Before installing, consult installation instructions packed with product for current dimensional data.



Total volume and shelf area are calculated by the Association of Home Appliance Manufacturers' standards.



Listed by Underwriters Laboratories

HOTPOINT

CTX19MACAA - Hotpoint 19.0 Cu. Ft. Top-Freezer Refrigerator



Features and Benefits

- 19.0 cu ft Capacity (Fresh Food 13.61 cu ft / Freezer 5.40 cu ft)
- 2 Clear Vegetable/Fruit Crispers
- Snack Pan
- 2 Split, 1 Full-Width (Adjustable, Spill Proof) Glass Fresh Food Cabinet Shelves
- Modular Gallon Door Storage
- Dairy Compartment
- 1 Adjustable Full-Width Wire Everwhite Freezer Shelf
- 2 Freezer Door Shelves
- Equipped for Optional Automatic Icemaker
- 2 Ice 'n Easy Trays with Ice Storage Bin
- Color-Matched Door Handles
- Model CTX19MACWW - White on white
- Model CTX19MACAA - Almond on almond