

# Hoshizaki America, Inc.

## Commercial Refrigerators & Freezers Pass Thru Series

### Models

PTR1SSB-FGFG

PTR1SSB-HGHG

PTR1SSB-HGHS

PTR1SSB-FSFS

PTR1SSB-HSHS



“A Superior Degree  
of Reliability”

[www.hoshizaki.com](http://www.hoshizaki.com)

## PARTS LIST



Number: 71272  
Issued: 6-6-2007

## CONTENTS

Auxiliary Codes.....	3
Note About Ordering Parts .....	3
Material Abbreviations .....	4
A. Reach-In Assembly .....	5
PTR1SSB-FGFG.....	5
PTR1SSB-HGHG.....	7
PTR1SSB-HGHS .....	9
PTR1SSB-FSFS .....	11
PTR1SSB-HSHS.....	13
B. Upper Panel Group.....	15
C. Refrigeration Circuit .....	17
D. Control Panel Group-Front .....	21
E. Control Panel Group-Rear.....	22
F. Interior Assembly .....	23
G. Door Assembly.....	24
PTR1SSB-FGFG.....	24
PTR1SSB-HGHG, PTR1-SSB-HGHS (HG).....	25
PTR1SSB-HGHS (HS), PTR1SSB-HSHS .....	26
PTR1SSB-FSFS .....	28
H. Light Group .....	30
PTR1SSB-FGFG, PTR1SSB-HGHG, PTR1SSB-HGHS .....	30
PTR1SSB-FSFS, PTR1SSB-HSHS .....	31
J. Control Box Assembly .....	32
K. Evaporator Assembly .....	34
L. Fan-Evaporator Assembly.....	36
M. Condenser Assembly.....	37
N. Evaporator Drain Pan.....	38
P. Door Sub-Assembly .....	39
PTR1SSB-FGFG.....	39
PTR1SSB-HGHG (UR), PTR1SSB-HGHS (HG, UR) .....	40
PTR1SSB-HGHG (LR), PTR1SSB-HGHS (HG, LR).....	41
PTR1SSB-HGHS (HS, UR), PTR1SSB-HSHS (UR).....	42
PTR1SSB-HGHS (HS, LR), PTR1SSB-HSHS (LR).....	43
PTR1SSB-FSFS .....	44
Q. Common Control Box.....	46

## Auxiliary Codes

<b>PTR1SSB-FGFG</b>	S-5	TBD
<b>PTR1SSB-HGHG</b>	R-5	December 2006
	S-5	TBD
<b>PTR1SSB-HGHS</b>	R-5	December 2006
	S-5	January 2007
<b>PTR1SSB-FSFS</b>	S-5	May 2007
<b>PTR1SSB-HSHS</b>	S-5	April 2007

## Auxiliary Code Breakdown

K-5

- Designates the year. "K" indicates the year 2000. Years progress or regress in alphabetical order. "J" is 1999, "L" is 2001, "M" is 2002, and so on. The letters "I" and "O" were skipped.
- Designates significant part changes within the same year for this model. Base is 5 and this number advances for each change.

Example: P-6

- "P" indicates 2004.
- "6" indicates the first significant part change for 2004.

## Note About Ordering Parts

Most assemblies cannot be ordered as complete units; parts in the assemblies generally must be ordered separately.

## Material Abbreviations

### ALUMINUM

AL = Aluminum

### COPPER

CU = Copper

### PLASTIC

ABS = Acrylonitrile -butadiene - styrene  
AC = Polyacetal  
EVA = Ethylene vinyl acetate  
PA = Polyamide = Nylon  
PC = Polycarbonate  
PE = Polyethylene  
PES = Polyester  
PETP = Polyethylene terephthalate = Tetlon  
PP = Polypropylene  
PS = Polystyrene  
PTFE = Polytetrafluoroethylene = Teflon  
PUR = Polyurethane  
PVC = Polyvinyl chloride

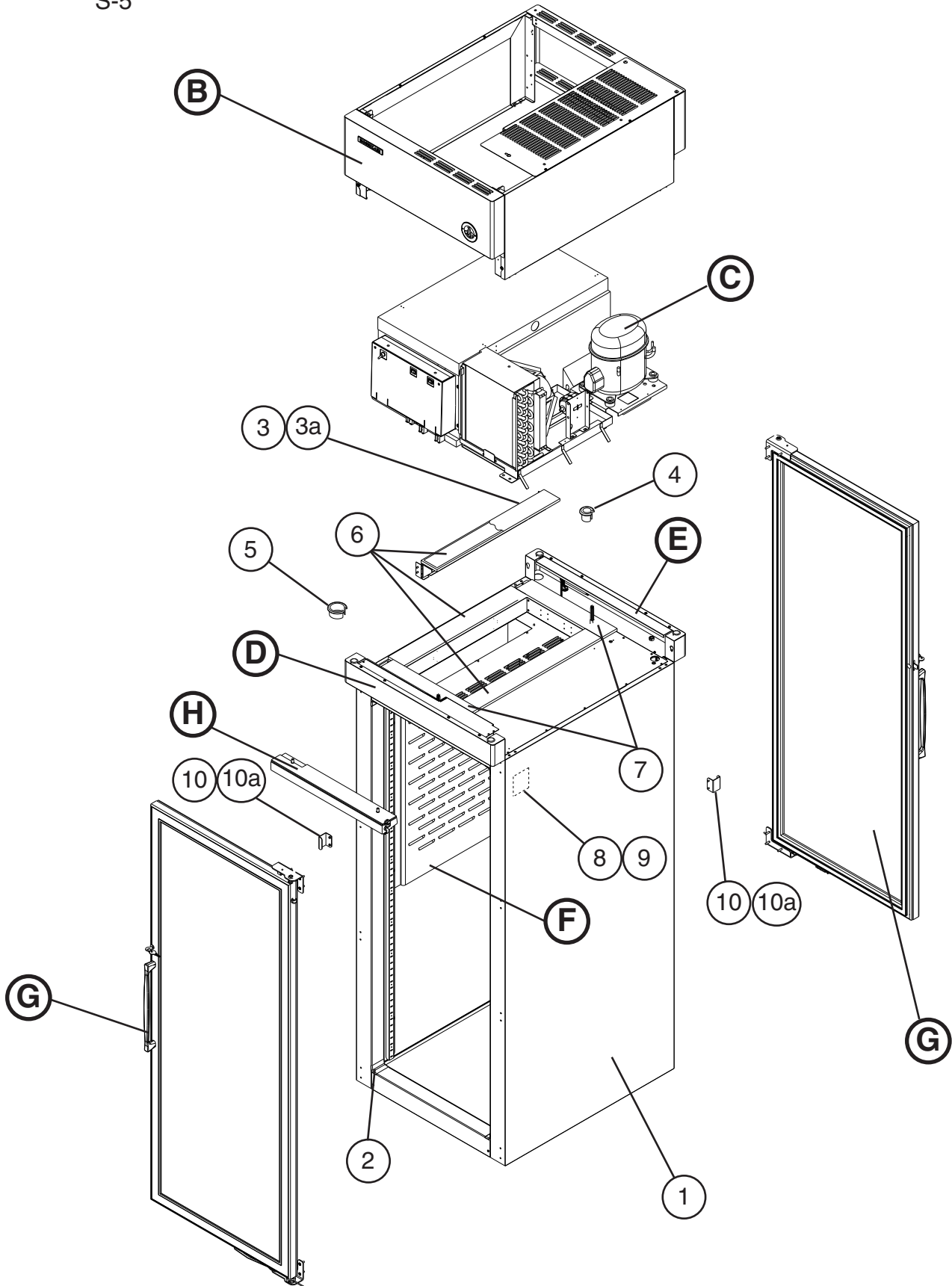
### RUBBER

VN = Vinyl Nitrile  
EPDM = EP rubber  
NBR = Nitrile butadiene rubber  
NR = Natural rubber  
NP = Neoprene  
SI.R = Silicone rubber  
SY.R = Synthetic rubber  
EPH = Epichlorohydrin

### STEEL

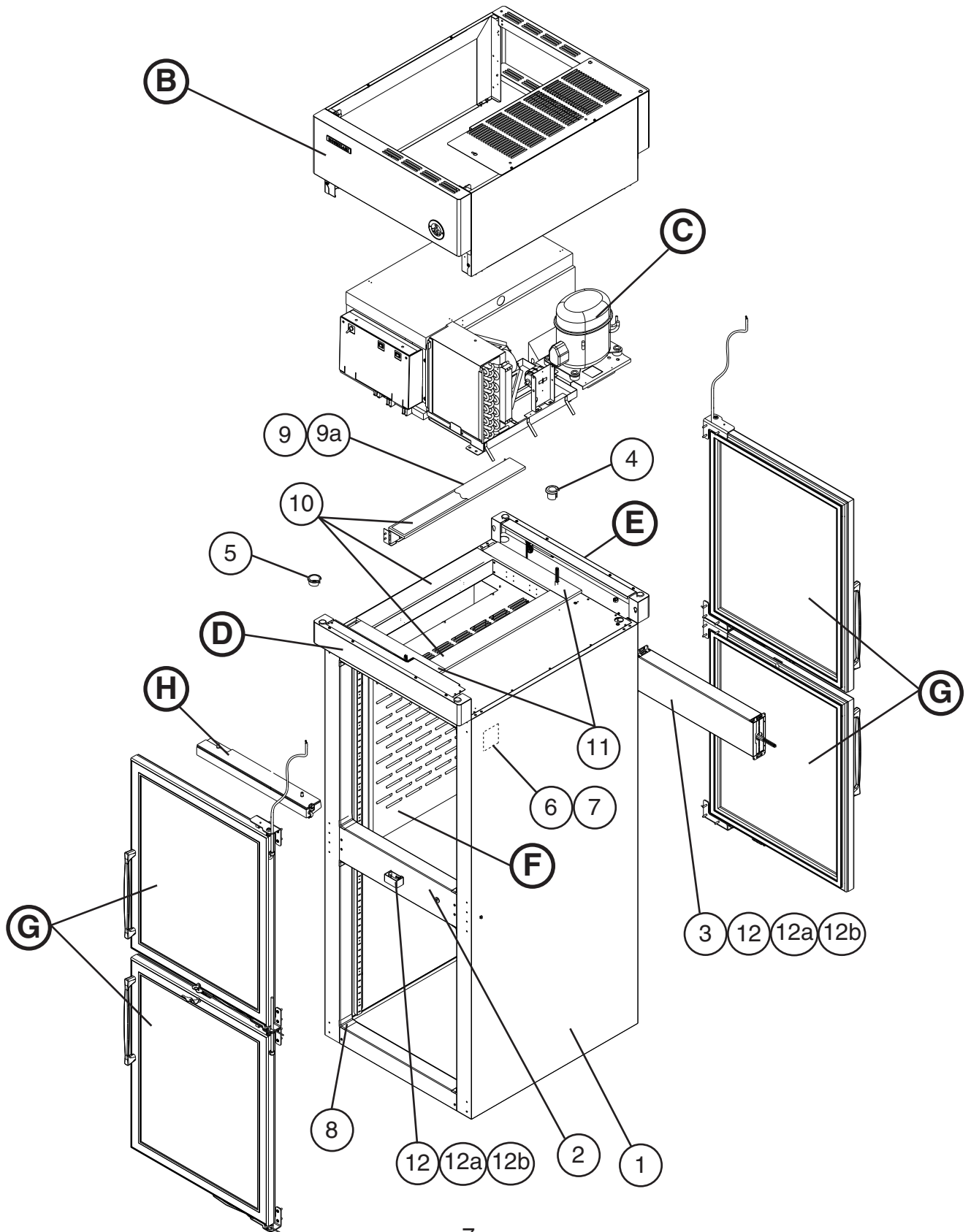
GS = Galvanized steel  
SS = Stainless steel  
PS = Plated steel  
PAS = Primed steel

**A. Reach-In Assembly**  
**PTR1SSB-FGFG**  
S-5



Title: <b>A. Reach-In Assembly</b> Model: <b>PTR1SSB-FGFG</b>												
Index No.	Description	Material or Model Number	Part Number	Required Number								
				S-5								
B	Upper Panel Group (For mounting hardware, see section "B" item 1a)	-	2A3971A01	1								
C	Refrigeration Circuit (For mounting hardware, see section "C" items 1-6)	-	1A0705A01	1								
D	Control Panel Group-Front (For mounting hardware, see section "D" item 1a)	-	3A4197A01	1								
E	Control Panel Group-Rear (For mounting hardware, see section "E" item 1a)	-	3A4201A01	1								
F	Interior Group (For mounting hardware, see section "F" items 5a and 7a)	-	3A4162A01	1								
G	Door Assembly	-	2A3964A01	2								
H	Light Group (For mounting hardware, see section "H" item 3a)	Fluorescent	3A4163A01	1								
1	Body	-	1A1270G01	1								
2	Cover-Corner	-	3A1751-01	8								
3	Air Divider Group	<b>Includes item 3a</b>	3A4164A01	1								
3a	T2 Screw	4x8, SS	7P32-0408	4								
4	Bushing	OCB-500	428394-02	1								
5	Bushing	OCB-875	428394-04	1								
6	Gasket	L=577	4A0414L03	3								
7	Gasket	L=400	4A0414L03	2								
8	Nameplate	-	2A3984-04	1								
9	Cover-Nameplate	-	4A3727-01	1								
10	Strike Group-Edge Glass	<b>Includes item 10a</b>	4A4291A01	2								
10a	T2 Screw	4x8, SS	7P32-0408	4								

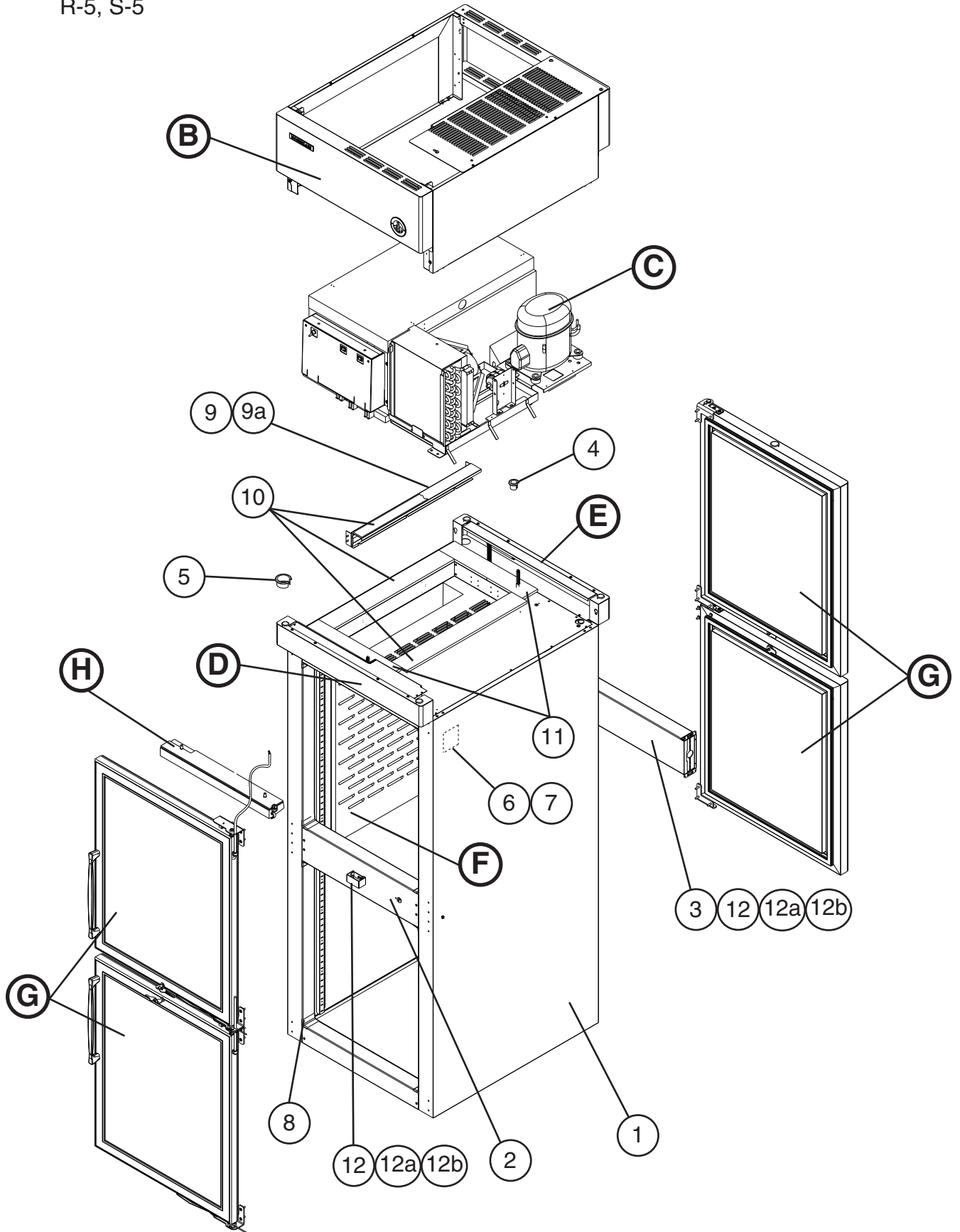
**A. Reach-In Assembly**  
**PTR1SSB-HGHG**  
 R-5, S-5



Title: <b>A. Reach-In Assembly</b> Model: <b>PTR1SSB-HGHG</b>												
Index No.	Description	Material or Model Number	Part Number	Required Number								
				R-5	S-5							
B	Upper Panel Group (For mounting hardware, see section "B" item 1a)	-	2A3971A01	1								
C	Refrigeration Circuit (For mounting hardware, see section "C" items 1-6)	-	1A0705A01	1								
D	Control Panel Group-Front (For mounting hardware, see section "D" 1a)	-	3A4197A01	1								
E	Control Panel Group-Rear (For mounting hardware see section "E" item 1a)	-	3A4201A01	1								
F	Interior Group (For mounting hardware, see section "F" items 5a and 7a)	-	3A4162A01	1								
G	Door Assembly	-	2A3962A01	2								
H	Light Group (For mounting hardware, see section "H" item 3a)	Fluorescent	3A4163A01	1								
1	Body	-	1A1218G01	1								
2	Mullion-Front	-	2A3918G01	1								
3	Mullion-Rear	-	2A3978G01	1								
4	Bushing	OCB-500	428394-02	1								
5	Bushing	OCB-875	428394-04	1								
6	Nameplate	-	2A3984-02	1								
7	Cover-Nameplate	-	4A3727-01	1								
8	Cover-Corner	-	3A1751-01	16								
9	Air Divider Group	<b>Includes item 9a</b>	3A4164A01	1								
9a	T2 Screw	4x8, SS	7P32-0408	4								
10	Gasket	L=577	4A0414L03	3								
11	Gasket	L=400	4A0414L03	2								
12	Strike Group	<b>Includes items 12a and 12b</b>	4A4293A01	2								
12a	T2 Screw	4x8, SS	7P32-0408	4								
12b	Truss Head Screw	4x8, SS	7C32-0408	2								

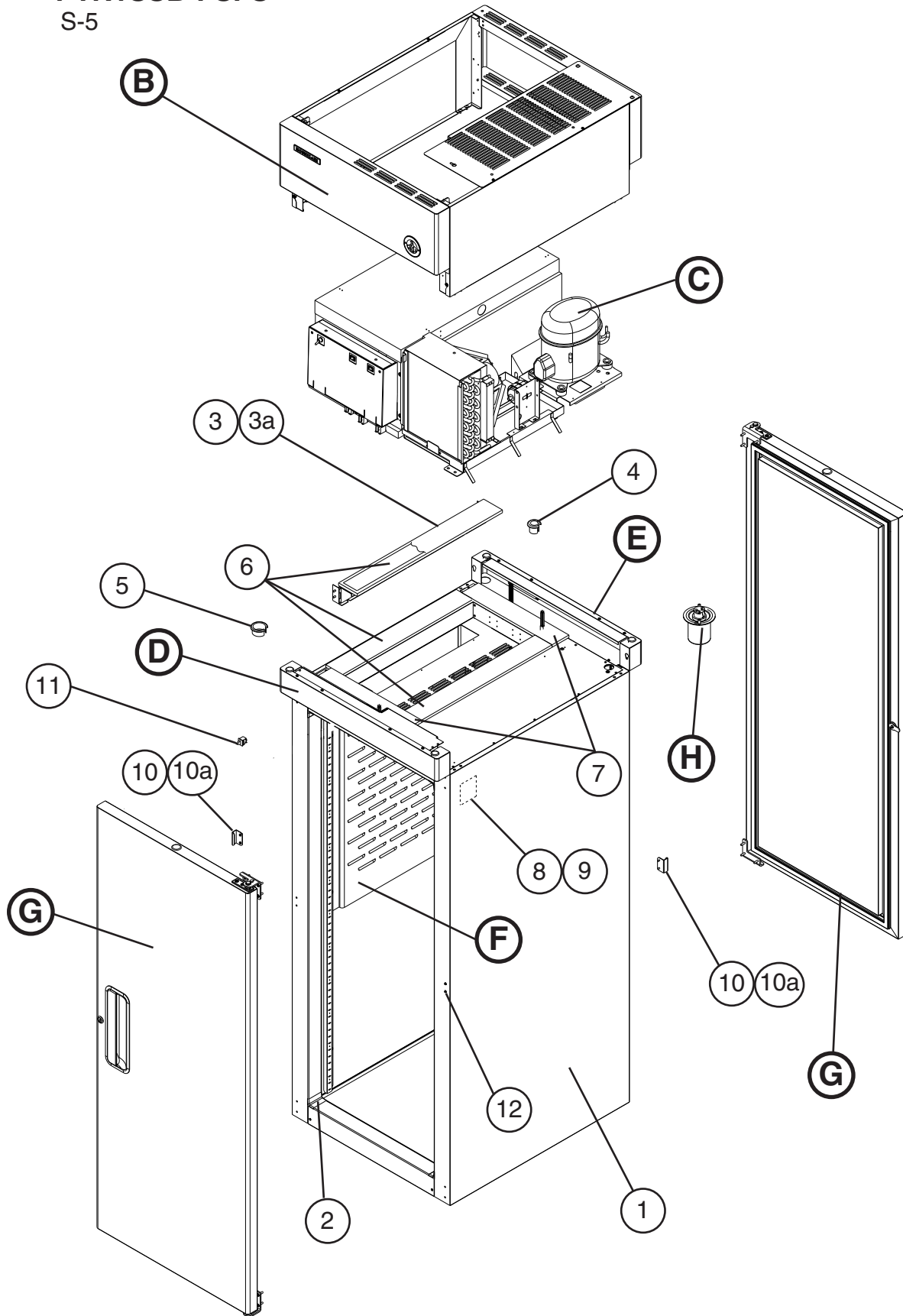


**A. Reach-In Assembly**  
**PTR1SSB-HGHS**  
R-5, S-5



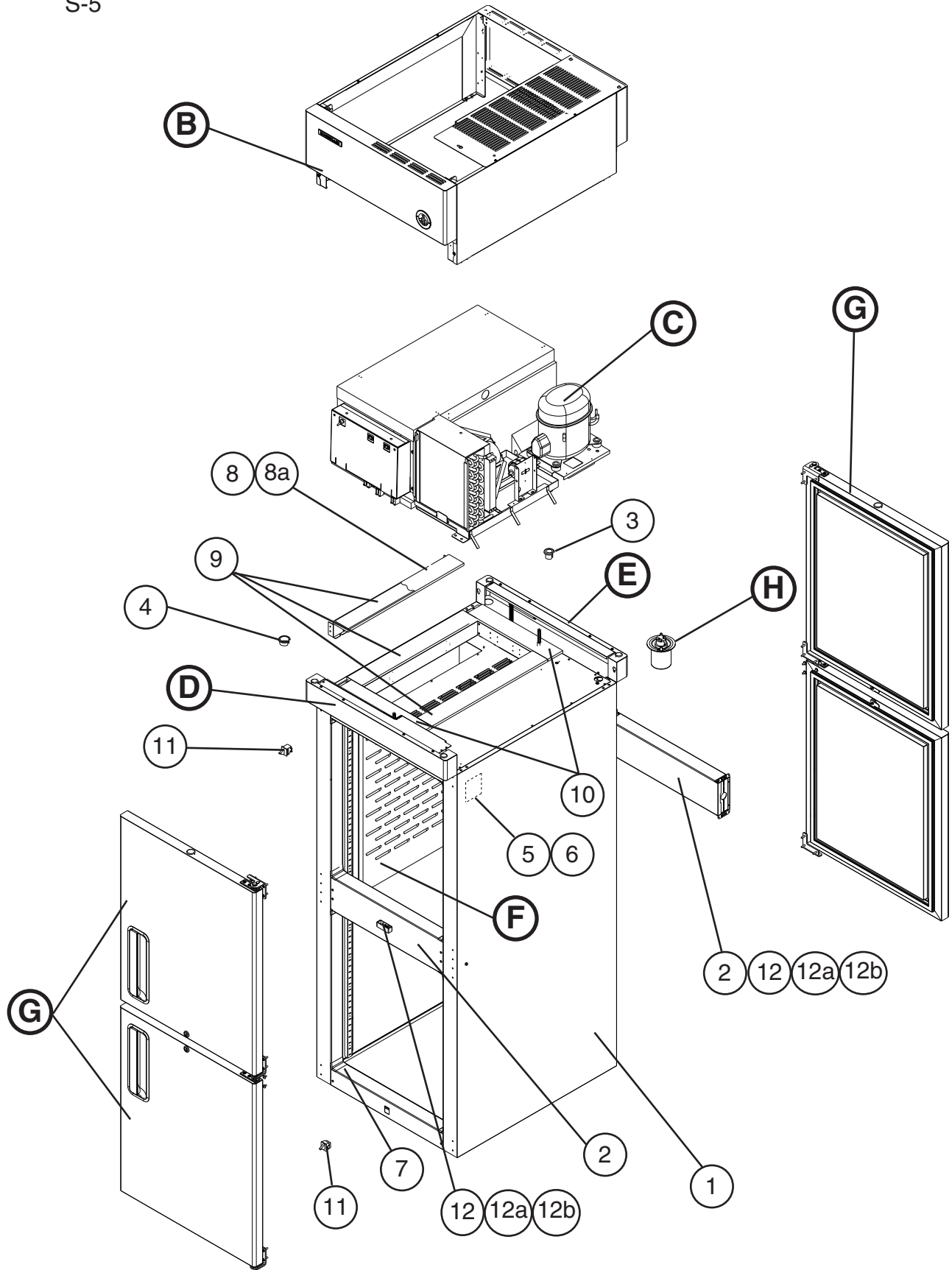
Title: <b>A. Reach-In Assembly</b> Model: <b>PTR1SSB-HGHS</b>												
Index No.	Description	Material or Model Number	Part Number	Required Number								
				R-5	S-5							
B	Upper Panel Group (For mounting hardware, see section "B" item 1a)	-	2A3971A01	1								
C	Refrigeration Circuit (For mounting hardware, see section "C" items 1-6)	-	1A0705A01	1								
D	Control Panel Group-Front (For mounting hardware, see section "D" item 1a)	<b>HG</b>	3A4197A01	1								
E	Control Panel Group-Rear (For mounting hardware, see section "E" item 1a)	<b>HS</b>	3A4198A01	1								
F	Interior Group (For mounting hardware, see section "F" items 5a and 7a)	-	3A4162A01	1								
G	Door Assembly	<b>HG</b>	2A3962A01	1								
		<b>HS</b>	2A3936A01	1								
H	Light Group (For mounting hardware, see section "H" item 3a)	Fluorescent	3A4163A01	1								
1	Body	-	1A1218G01	1								
2	Mullion-Front	<b>HG</b>	2A3918G01	1								
3	Mullion-Rear	<b>HS</b>	2A3917G01	1								
4	Bushing	OCB-500	428394-02	1								
5	Bushing	OCB-875	428394-04	1								
6	Nameplate	-	2A3984-01	1								
7	Cover-Nameplate	-	4A3727-01	1								
8	Cover-Corner	-	3A1751-01	16								
9	Air Divider Group	<b>Includes item 9a</b>	3A4164A01	1								
9a	T2 Screw	4x8, SS	7P32-0408	4								
10	Gasket	L=577	4A0414L03	3								
11	Gasket	L=400	4A0414L03	2								
12	Strike Group	<b>HG, Includes items 12a and 12b</b>	4A4293A01	1								
		<b>HS, Includes items 12a and 12b</b>	4A4292A01	1								
12a	T2 Screw	4x8, SS	7P32-0408	4								
12b	Truss Head Screw	4x8, SS	7C32-0408	2								

**A. Reach-In Assembly**  
**PTR1SSB-FSFS**  
 S-5



Title: <b>A. Reach-In Assembly</b> Model: <b>PTR1SSB-FSFS</b>												
Index No.	Description	Material or Model Number	Part Number	Required Number								
				S-5								
B	Upper Panel Group (For mounting hardware, see section "B" item 1a)	-	2A3971A01	1								
C	Refrigeration Circuit (For mounting hardware, see section "C" items 1-6)	-	1A0705A02	1								
D	Control Panel Group-Front (For mounting hardware, see section "D" item 1a)	-	3A4202A01	1								
E	Control Panel Group-Rear (For mounting hardware, see section "E" item 1a)	-	3A4198A01	1								
F	Interior Group (For mounting hardware, see section "F" items 5a and 7a)	-	3A4162A01	1								
G	Door Assembly	-	2A3941A01	2								
H	Light Group (For mounting hardware, see section "H" item 4a)	Incandescent	3A4196A01	1								
1	Body	-	1A1271G01	1								
2	Cover-Corner	-	3A1751-01	8								
3	Air Divider Group	<b>Includes item 3a</b>	3A4164A01	1								
3a	T2 Screw	4x8, SS	7P32-0408	4								
4	Bushing	OCB-500	428394-02	1								
5	Bushing	OCB-875	428394-04	1								
6	Gasket	L=577	4A0414L03	3								
7	Gasket	L=400	4A0414L03	2								
8	Nameplate	-	2A3984-05	1								
9	Cover-Nameplate	-	4A3727-01	1								
10	Strike Group-Edge Solid	<b>Includes item 10a</b>	4A4290A01	2								
10a	T2 Screw	4x8, SS	7P32-0408	4								
11	Switch-Door	-	3A1826-01	2								
12	T2 Screw (filler)	4x8, SS	7P32-0408	4								

**A. Reach-In Assembly**  
**PTR1SSB-HSHS**  
 S-5

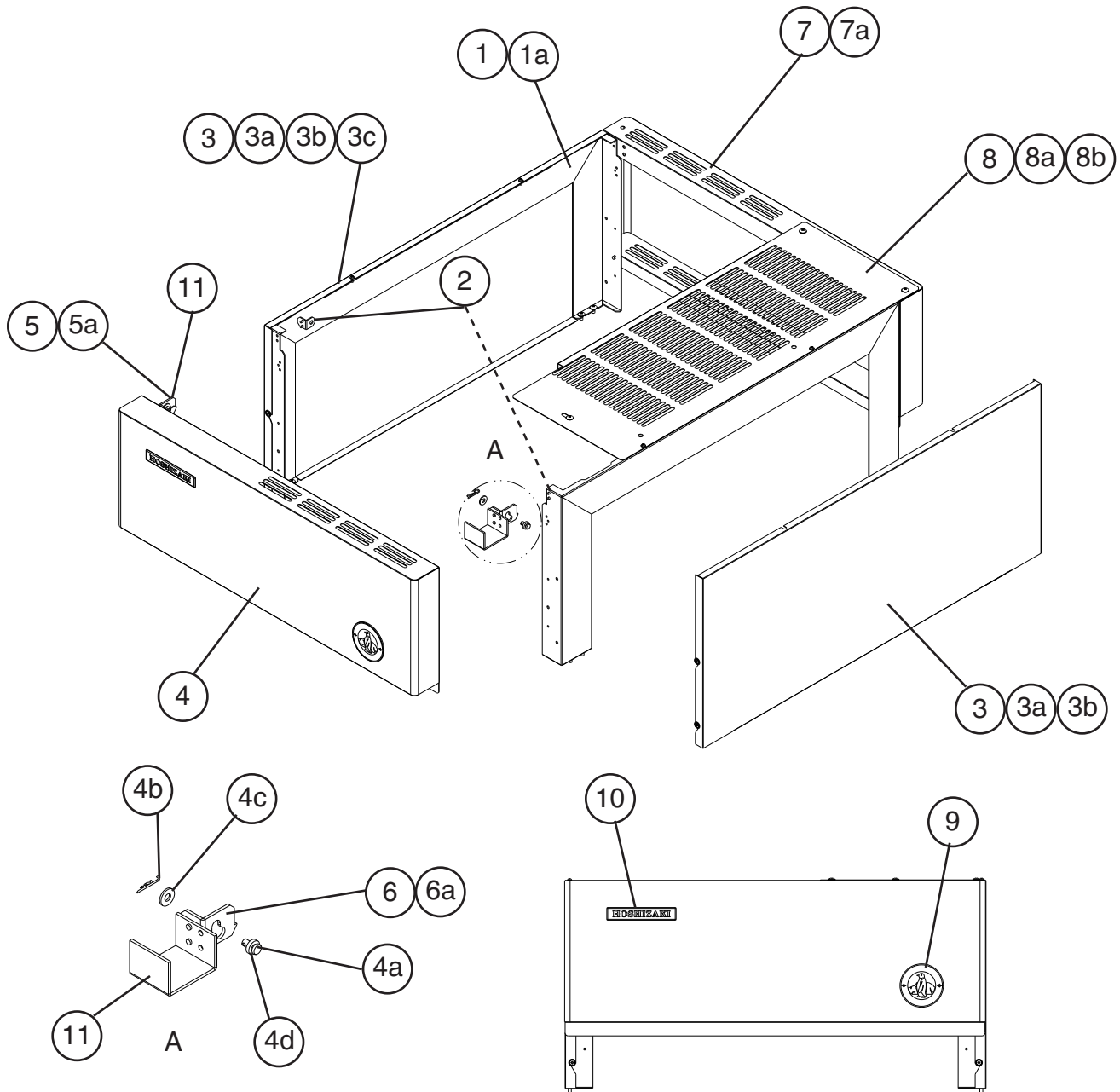


Title: <b>A. Reach-In Assembly</b> Model: <b>PTR1SSB-HSHS</b>												
Index No.	Description	Material or Model Number	Part Number	Required Number								
				S-5								
B	Upper Panel Group (For mounting hardware, see section "B" item 1a)	-	2A3971A01	1								
C	Refrigeration Circuit (For mounting hardware, see section "C" items 1-6)	-	1A0705A02	1								
D	Control Panel Group-Front (For mounting hardware, see section "D" item 1a)	-	3A4202A01	1								
E	Control Panel Group-Rear (For mounting hardware, see section "E" item 1a)	-	3A4198A01	1								
F	Interior Group (For mounting hardware, see section "F" items 5a and 7a)	-	3A4162A01	1								
G	Door Assembly	-	2A3936A01	2								
H	Light Group (For mounting hardware, see section "H" item 4a)	Incandescent	3A4196A01	1								
1	Body	-	1A1269G01	1								
2	Mullion	-	2A3917G01	2								
3	Bushing	OCB-500	428394-02	1								
4	Bushing	OCB-875	428394-04	1								
5	Nameplate	-	2A3984-03	1								
6	Cover-Nameplate	-	4A3727-01	1								
7	Cover-Corner	-	3A1751-01	16								
8	Air Divider Group	<b>Includes item 8a</b>	3A4164A01	1								
8a	T2 Screw	4x8, SS	7P32-0408	4								
9	Gasket	L=577	4A0414L03	3								
10	Gasket	L=400	4A0414L03	2								
11	Switch-Door	-	3A1826-01	4								
12	Strike Group	<b>Includes items 12a and 12b</b>	4A4292A01	2								
12a	T2 Screw	4x8, SS	7P32-0408	4								
12b	Truss Head Screw	4x8, SS	7C32-0408	2								

## B. Upper Panel Group

PTR1SSB-FGFG, PTR1SSB-HGHG, PTR1SSB-HGHS, PTR1SSB-FSFS,  
PTR1SSB-HSHS

R-5, S-5



Title: **B. Upper Panel Group** Model: **PTR1SSB-FGFG, PTR1SSB-HGHG, PTR1SSB-HGHS, PTR1SSB-FSFS, PTR1SSB-HSHS**

Index No.	Description	Material or Model Number	Part Number	Required Number																
				R-5	S-5															
1	Frame-Side Top	GS	2A1803-01	2																
1a	Truss Head Screw	5x10, SS	7C32-0510	8																
2	Bracket-Hinge	GS	4A2306-01	2																
3	Panel-Side Top	SS	2A1800-01	2																
3a	Taper Collar	SS	4H0171-01	4																
3b	Screw-Countersunk	5x20, SS	7C42-0520	4																
3c	T2 Screw	4x8, SS	7P32-0408	2																
4	Panel-Front (Hinged)	SS	1A0624-01	1																
4a	Clevis Pin	-	8907-0102	2																
4b	Cotter Pin	-	8907-0103	2																
4c	Washer	-	4A0655-03	2																
4d	Hinge-Spacer	-	4A2473-01	2																
5	Hinge-Front Panel (L)	GS	4A2153-01	1																
5a	Truss Head Screw	5x8, SS	7C32-0508	2																
6	Hinge-Front Panel (R)	GS	4A2154-01	1																
6a	Truss Head Screw	5x8, SS	7C32-0508	2																
7	Panel-Front (Stationary)	SS	1A0624-05	1																
7a	Truss Head Screw	5x8, SS	7C32-0508	2																
8	Cover-UL Top	GS	2A2505-01	1																
8a	Truss Head Screw	5x10, SS	7C32-0510	3																
8b	T2 Screw	4x8, SS	7P32-0408	2																
9	Label-Penguin-HA (L)	-	4A0526-02	2																
10	Emblem	-	4A0560-01	2																
11	Channel-Hinge	GS	4A2170-01	2																

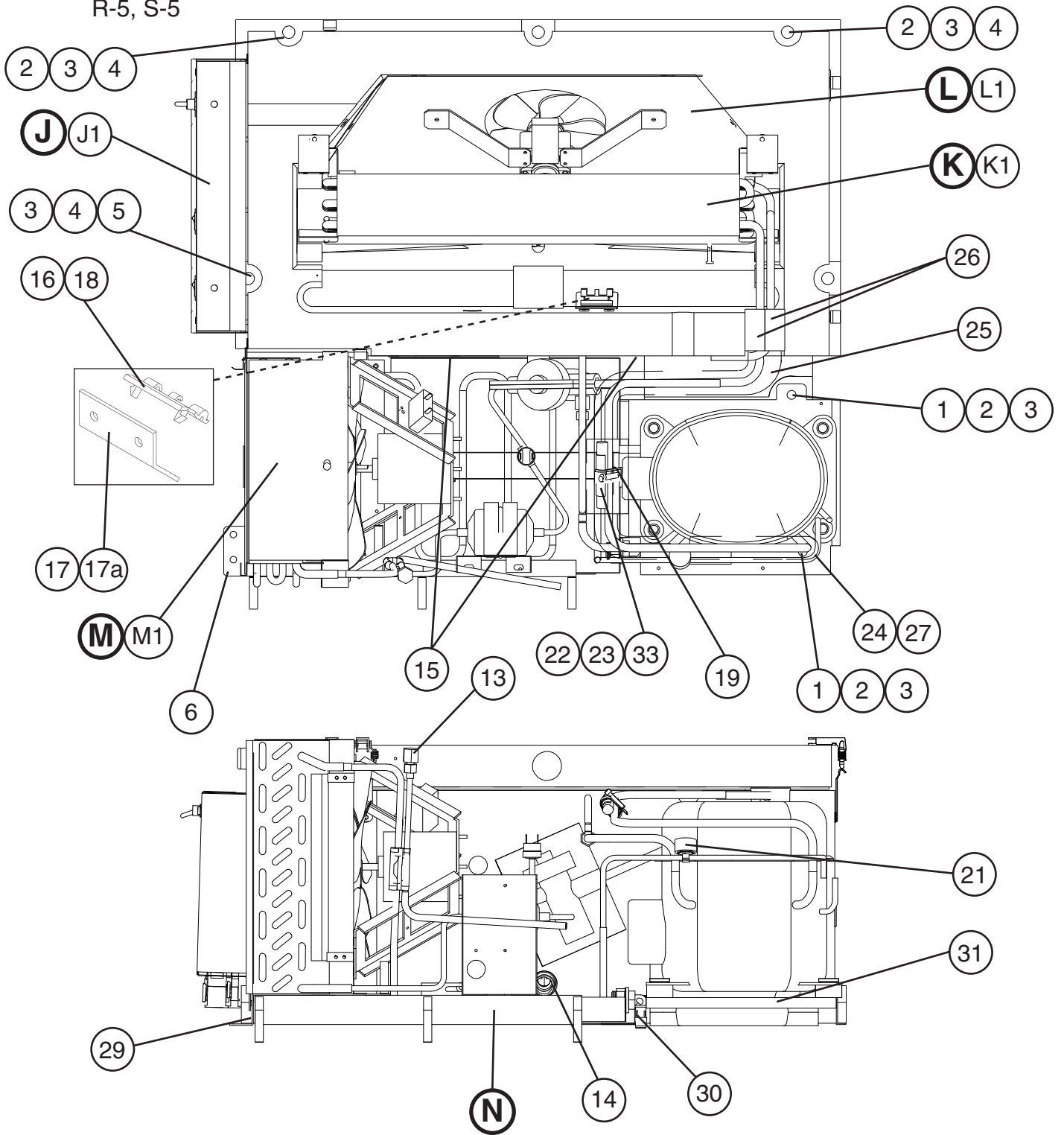


### C. Refrigeration Circuit

1/2

**PTR1SSB-FGFG, PTR1SSB-HGHG, PTR1SSB-HGHS, PTR1SSB-FSFS,  
PTR1SSB-HSHS**

R-5, S-5

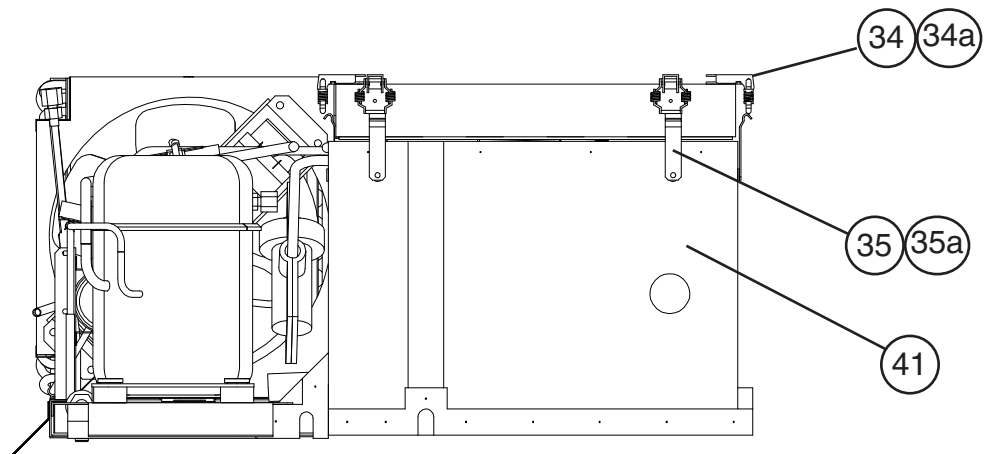
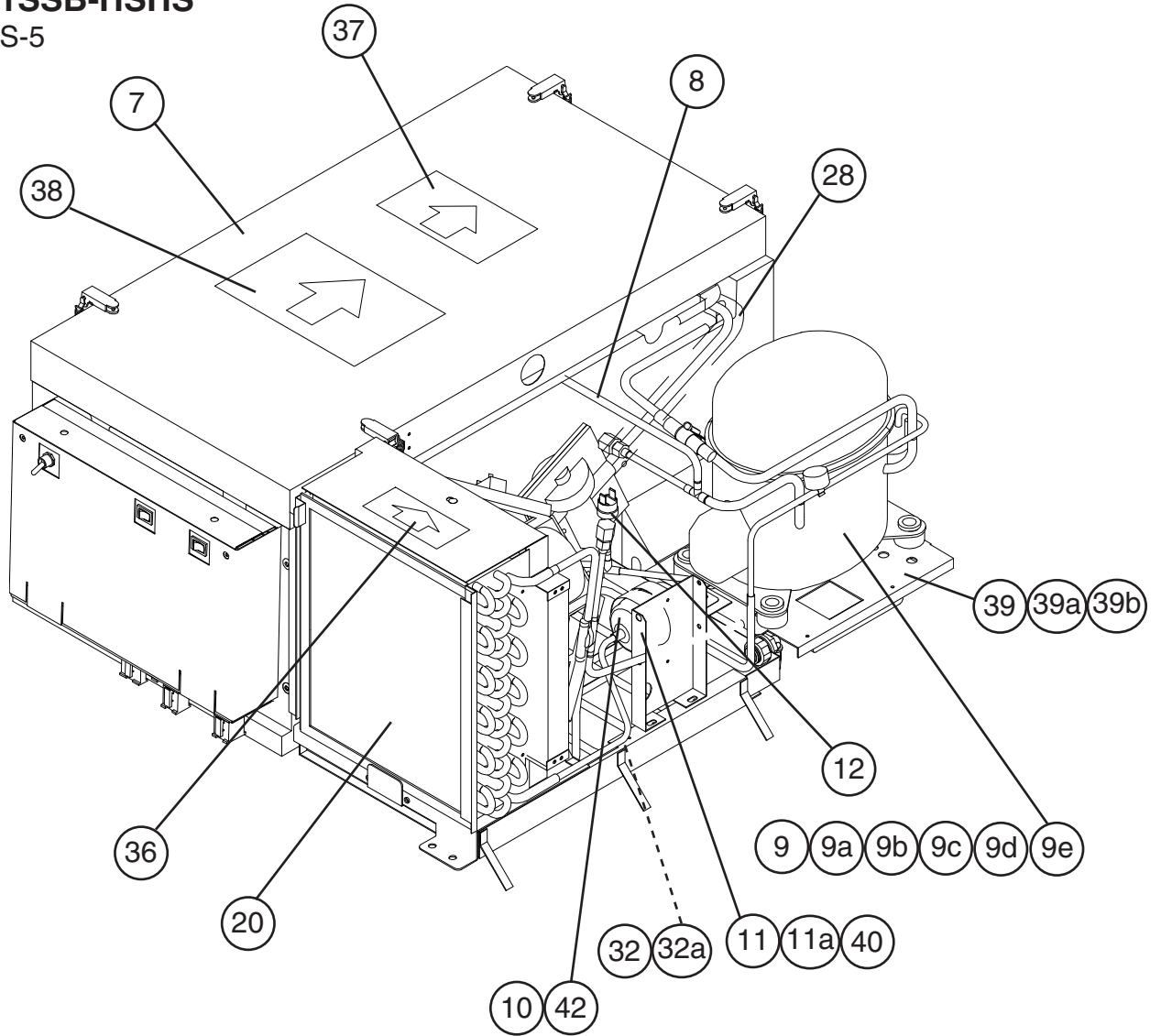


### C. Refrigeration Circuit

2/2

**PTR1SSB-FGFG, PTR1SSB-HGHG, PTR1SSB-HGHS, PTR1SSB-FSFS,  
PTR1SSB-HSHS**

R-5, S-5



Title: **C. Refrigeration Circuit** Model: **PTR1SSB-FGFG, PTR1SSB-HGHG, PTR1SSB-HGHS, PTR1SSB-FSFS, PTR1SSB-HSHS**

Index No.	Description	Material or Model Number	Part Number	Required Number																
				R-5 S-5																
J	Control Box Assembly	<b>FGFG, HGHG, HGHS</b>	2A1729A02	1																
		<b>FSFS, HSHS</b>	2A1729A03	1																
J1	Truss Head Screw	4x16, SS	7C32-0416	4																
K	Evaporator Assembly	-	2A0981A04	1																
K1	Truss Head Screw	4x20, SS	7C32-0420	2																
L	Fan-Evaporator Assembly	-	2A0980A01	1																
L1	Truss Head Screw	4x12, SS	7C32-0412	4																
M	Condenser Assembly	-	3A2611A01	1																
M1	T2 Screw	4x8, SS	7P32-0408	2																
N	Evaporator Drain Pan	-	3A0381A04	1																
1	Flat Washer	8	7W21-0800	2																
2	Hex Bolt	8x60	7B01-0860	4																
3	Split Lock Washer	8	7L21-0800	5																
4	Flat Washer	12	7W21-1200	3																
5	Hex Bolt	8x70	7B01-0870	1																
6	T2 Screw	4x20, SS	7P32-0420	2																
7	Cover-Evaporator Case	(1 section)	2A2726G01	1																
8	Process Assembly	-	3A2349G01	1																
9	Compressor	AST40C1E- IAA-202	4A2785-01	1																
9a	Grommet	-	4A2593-01	4																
9b	Spacer	-	4A2595-01	4																
9c	Hex Bolt	8x45	7B01-0845	4																
9d	Flat Washer	M8	7W21-0800	4																
9e	Split Lock Washer	M8	7L21-0800	4																
10	Drier (included in item 40)	-	4A0924-01	1																
11	Bracket-Drier (included in item 40)	-	4A4282-01	1																
11a	T2 Screw (included in item 40)	4x8	7P32-0408	2																
12	Pressure Switch (included in item 40)	-	4A2516-02	1																
13	Coil-Condensate	-	2A2496G01	1																
14	Pipe-Evaporator Drain	-	4A0831-01	1																
15	Wire Tie Twist	-	4A1223-01	2																
16	Thermistor-Cabinet	-	4A1429-01	1																
17	Thermistor Bracket	-	433964-01	1																
17a	Truss Head Screw	4x16, SS	7C32-0416	2																
18	Thermistor Bracket	-	433920-01	1																
19	Cable Tie	CV-200	8911-0200	5																
20	Filter-Condenser	Air Filter	3A0277-01	1																
21	Thermostat-Clean Filter	-	4A0484-02	1																
22	Insulation Tubing	L=90	7762-3555	1																
23	Holder-Expansion Valve	-	3A0107-01	1																
24	Insulation Tubing	L=730	7762-1330	1																

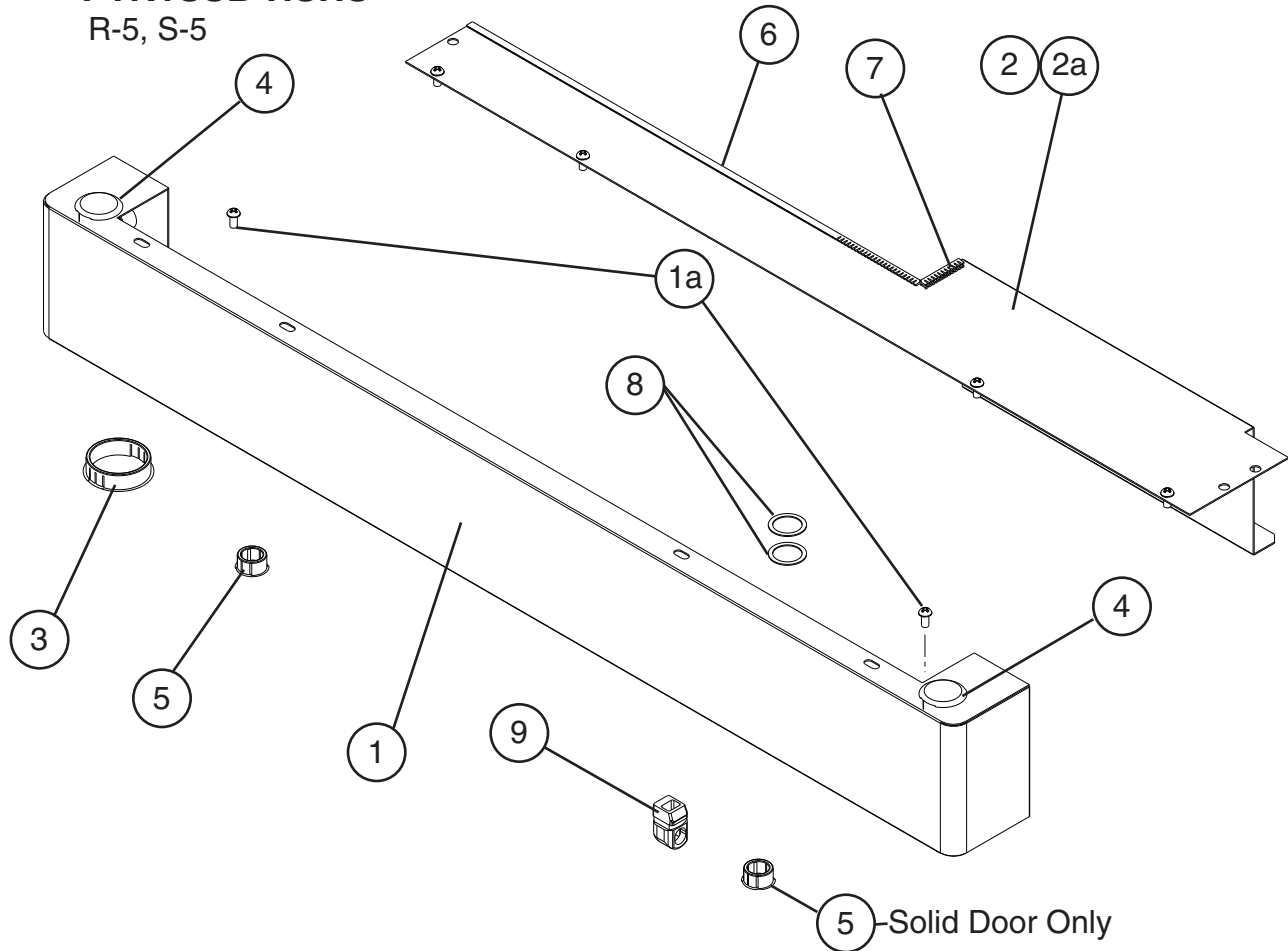
Title: **C. Refrigeration Circuit** Model: **PTR1SSB-FGFG, PTR1SSB-HGHG, PTR1SSB-HGHS, PTR1SSB-FSFS, PTR1SSB-HSHS**

Index No.	Description	Material or Model Number	Part Number	Required Number									
				R-5	S-5								
25	Insulation Tubing	L=280	7762-1330	1									
26	Seal-Evaporator Tubing	-	4A3089-01	2									
27	Tube-Evaporator Compressor	-	3A2348-01	1									
28	Insulation Tubing	L=160	7762-1330	3									
29	Grommet Strip	L=33	4A1341L01	1									
30	Grommet Strip	L=29	4A1341L01	1									
31	Grommet Strip	L=236	4A1341L01	1									
32	Wire Clamp	-	4A0809-01	1									
32a	T2 Screw	4x8, SS	7P32-0408	1									
33	Hose Clamp	No# 6808	443461-01	1									
34	Draw Latch	-	4A3988-01	4									
34a	T2 Screw	4x8, SS	7P32-0408	8									
35	Catch-Latch	-	4A3987-01	4									
35a	Truss Head Screw	4x16, SS	7C32-0416	4									
36	Label-404A	-	4A0960-01	1									
37	Caution Label	-	4A1931-01	1									
38	Wiring Label	<b>FGFG, HGHG, HGHS</b>	2A2602-01	1									
		<b>FSFS, HSHS</b>	2A3994-01	1									
39	Base-Compressor	GS	2A2756G01	1									
39a	Truss Head Screw	4x16, SS	7C32-0416	1									
39b	Truss Head Screw	5x10, SS	7C32-0510	1									
40	Condenser-Expv	-	2A1257G02	1									
41	Evaporator Case	-	1A0712G05	1									
42	Nylon Tie (included in item 40)	-	8911-0301	1									

## D. Control Panel Group-Front

**PTR1SSB-FGFG, PTR1SSB-HGHG, PTR1SSB-HGHS, PTR1SSB-FSFS,  
PTR1SSB-HSHS**

R-5, S-5

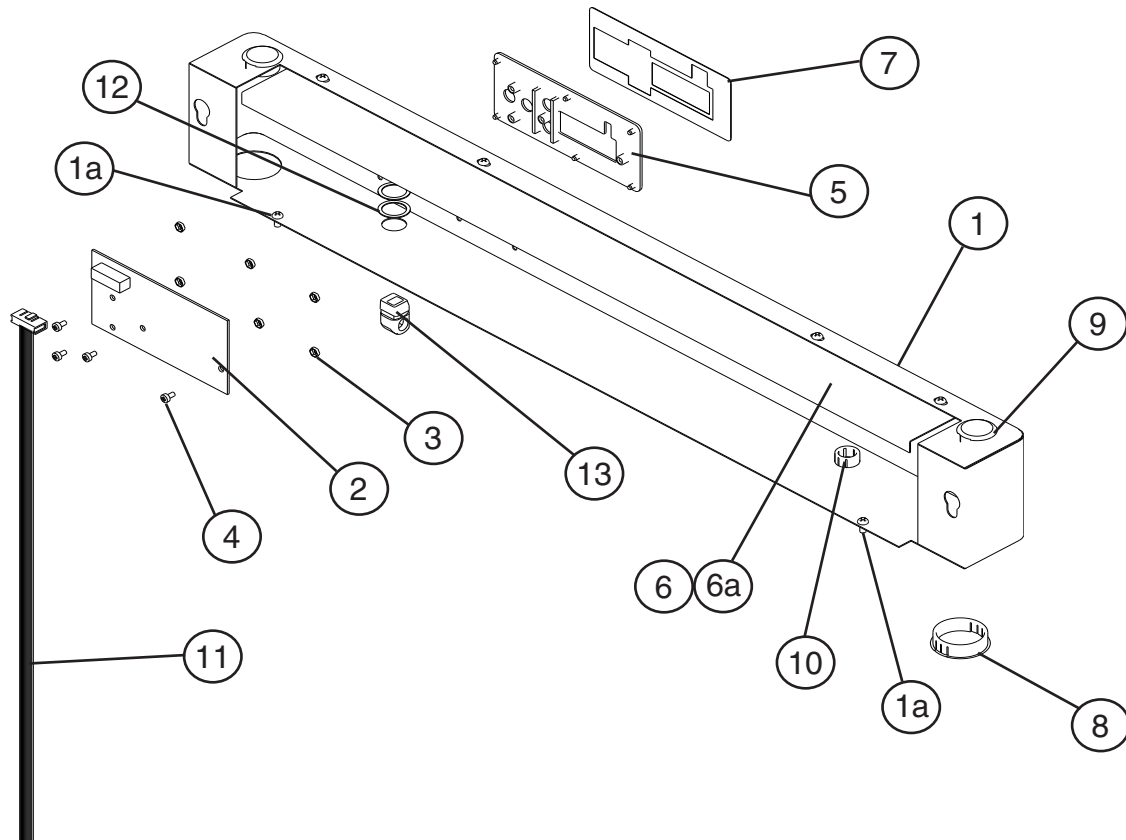


Title: D. Control Panel Group-Front Model: PTR1SSB-FGFG, PTR1SSB-HGHG, PTR1SSB-HGHS, PTR1SSB-FSFS, PTR1SSB-HSHS					Required Number							
Index No.	Description	Material or Model Number	Part Number	R-5 S-5								
1	Panel-Control	SS	1A0760-03	1								
1a	T2 Screw	4x8, SS	7P32-0408	2								
2	Cover Wires	GS	2A1033-01	1								
2a	T2 Screw	4x8, SS	7P32-0408	6								
3	Locking Hole Plug	-	4A0586-02	1								
4	Locking Hole Plug	-	4A0586-03	2								
5	Locking Hole Plug	<b>FGFG, HGHG, HGHS</b>	4A0586-04	1								
		<b>FSFS, HSHS</b>		2								
6	Grommet Strip	L=342	4A1341L01	1								
7	Grommet Strip	L=30	4A1341L01	1								
8	Washer	<b>FGFG, HGHG, HGHS</b>	4A2147-01	2								
9	Strain Relief	<b>FGFG, HGHG, HGHS</b>	4A2148-01	1								

### E. Control Panel Group-Rear

**PTR1SSB-FGFG, PTR1SSB-HGHG, PTR1SSB-HGHS, PTR1SSB-FSFS,  
PTR1SSB-HSHS**

R-5, S-5

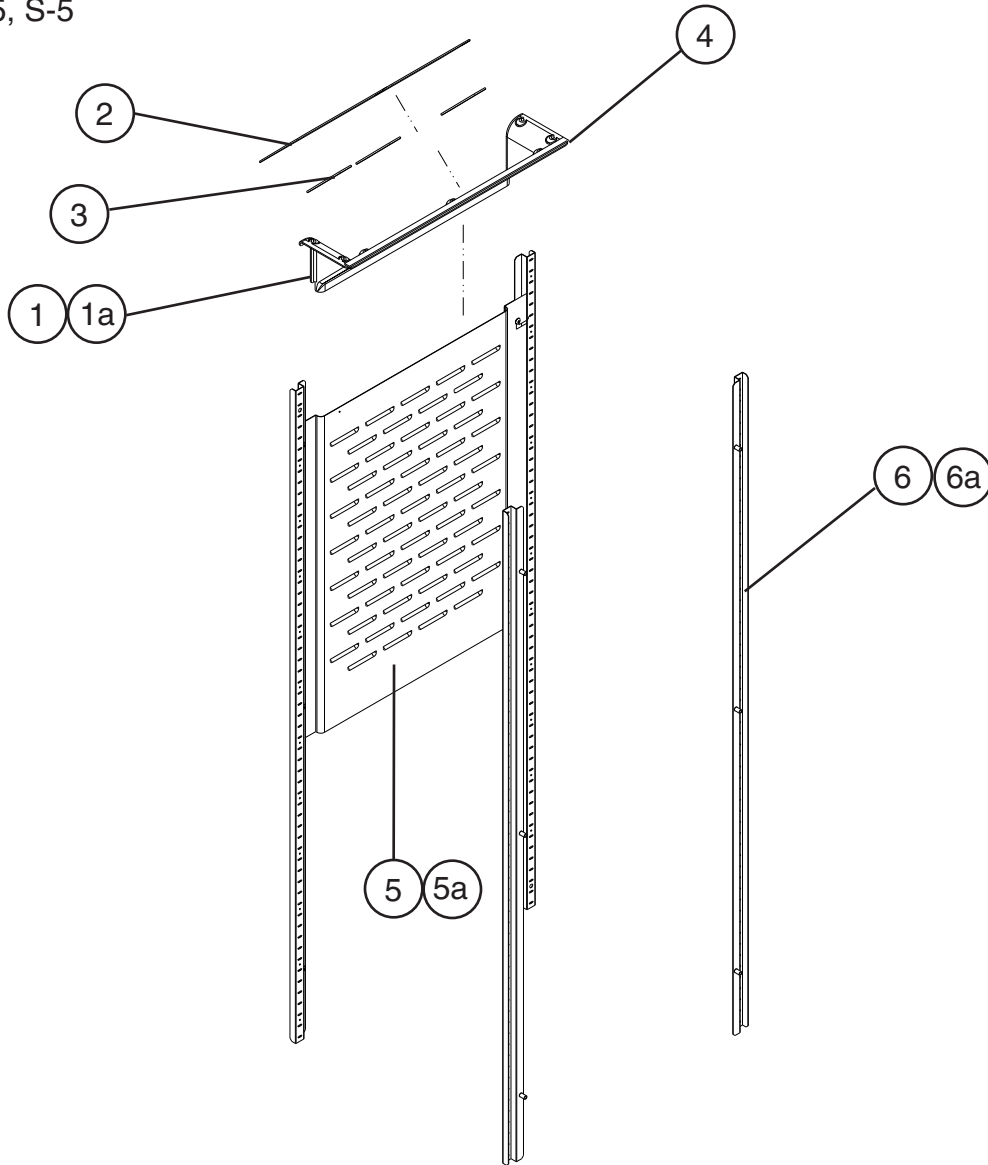


Title: E. Control Panel Group-Rear Model: PTR1SSB-FGFG, PTR1SSB-HGHG, PTR1SSB-HGHS, PTR1SSB-FSFS, PTR1SSB-HSHS																	
Index No.	Description	Material or Model Number	Part Number	Required Number													
				R-5	S-5												
1	Panel-Control	<b>FGFG, HGHG</b>	1A0760-05	1													
		<b>HGHS, FSFS, HSHS</b>	1A0760-01	1													
1a	T2 Screw	4x8, SS	7P32-0408	2													
2	Board-Display	-	2A0883-01	1													
3	Palnut	-	4A1398-01	6													
4	Nylon Screw	-	4A1397-01	4													
5	Mount-Display Board	-	3A0823-01	1													
6	Cover-Wire	GS	3A2577-01	1													
6a	T2 Screw	4x8, SS	7P32-0408	4													
7	Label-Display	-	3A2850-01	1													
8	Locking Hole Plug	-	4A0586-02	1													
9	Locking Hole Plug	-	4A0586-03	2													
10	Locking Hole Plug	<b>FGFG, HGHG</b>	4A0586-04	1													
11	Ribbon Cable	-	4A1106-03	1													
12	Washer	<b>FGFG, HGHG</b>	4A2147-01	2													
13	Strain Relief	<b>FGFG, HGHG</b>	4A2148-01	1													

## F. Interior Assembly

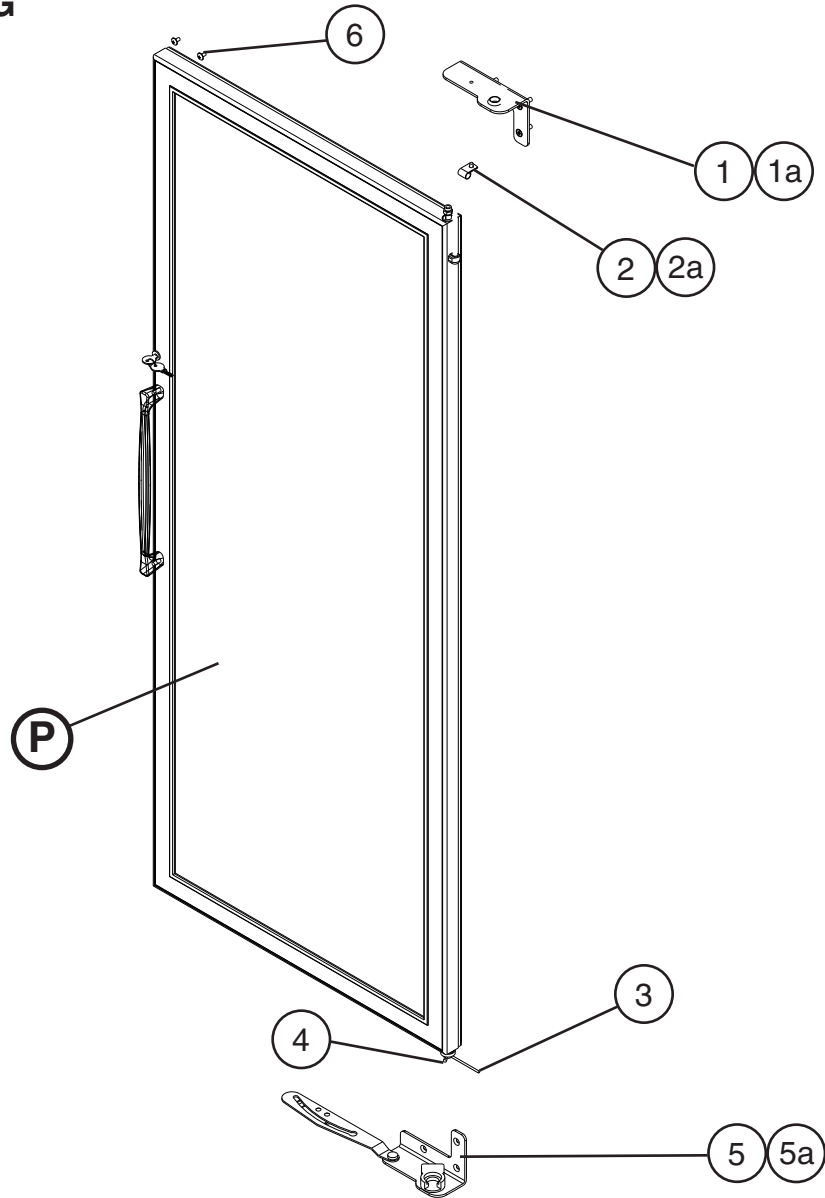
**PTR1SSB-FGFG, PTR1SSB-HGHG, PTR1SSB-HGHS, PTR1SSB-FSFS,  
PTR1SSB-HSHS**

R-5, S-5



Title: F. Interior Assembly Model: PTR1SSB-FGFG, PTR1SSB-HGHG, PTR1SSB-HGHS, PTR1SSB-FSFS, PTR1-SSB-HSHS					Required Number								
Index No.	Description	Material or Model Number	Part Number	R-5 S-5									
1	Distributor-Air (Top)	ABS	2A0610-01	1									
2	Insulator-Air Distributor (A)	ABS	4A0833-01	1									
2a	T2 Screw	4x8, SS	7P32-0408	7									
3	Gasket	L=125	4A0808L01	3									
4	Gasket	L=1200	4A0808L02	1									
5	Distributor-Air (Bottom)	SS	2A0425-01	1									
5a	Truss Head Screw	5x10, SS	7C32-0510	6									
6	Pilaster	SS	3A2353-01	4									
6a	Truss Head Screw	5x10, SS	7C32-0510	6									

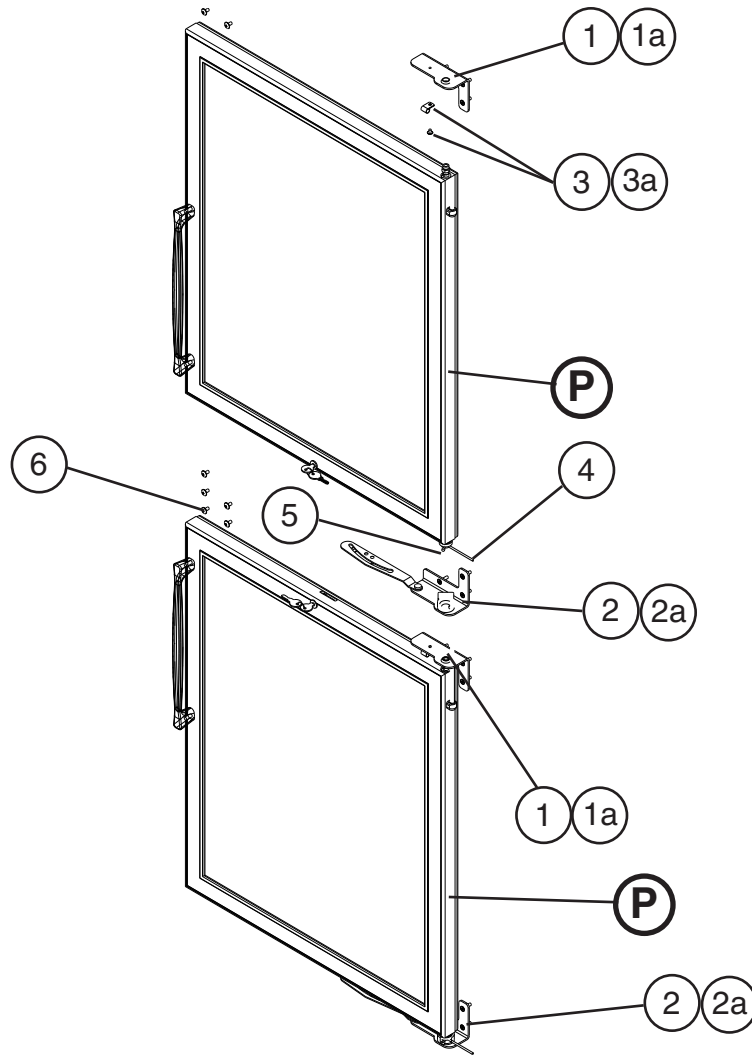
**G. Door Assembly**  
**PTR1SSB-FGFG**  
 S-5



Title: <b>G. Door Assembly</b> Model: <b>PTR1SSB-FGFG</b>				Required Number							
Index No.	Description	Material or Model Number	Part Number	S-5							
				P	Door Sub-Assembly	<b>FGFG</b>	2A1720-02	1			
1	Hinge-Top Glass Door (Right)	-	3A1568-01	1							
1a	Screw-Countersunk	5x20, SS	7C42-0520	3							
2	Wire Clamp	-	4A0809-02	1							
2a	Truss Head Screw	4x6, SS	7C32-0406	1							
3	Crank	-	4A2068-01	2							
4	Pin	-	4A2071-01	1							
5	Hinge-Bottom Glass Door (Right)	-	3A1569-01	1							
5a	Screw-Countersunk	5x20, SS	7C42-0520	3							
6	Truss Head Screw (filler)	5x10, SS	7C32-0510	6							

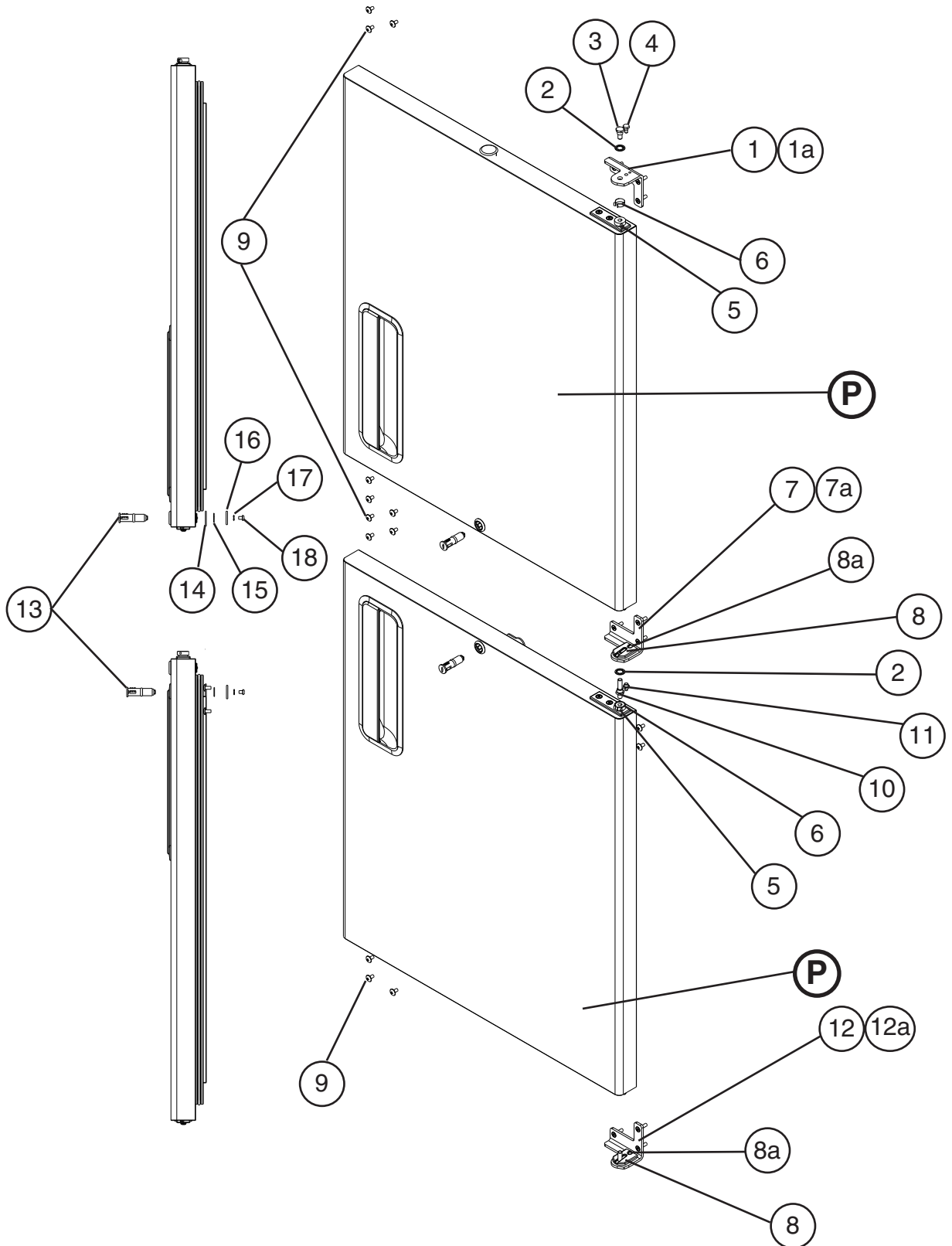


**G. Door Assembly**  
**PTR1SSB-HGHG, PTR1-SSB-HGHS (HG)**  
R-5, S-5



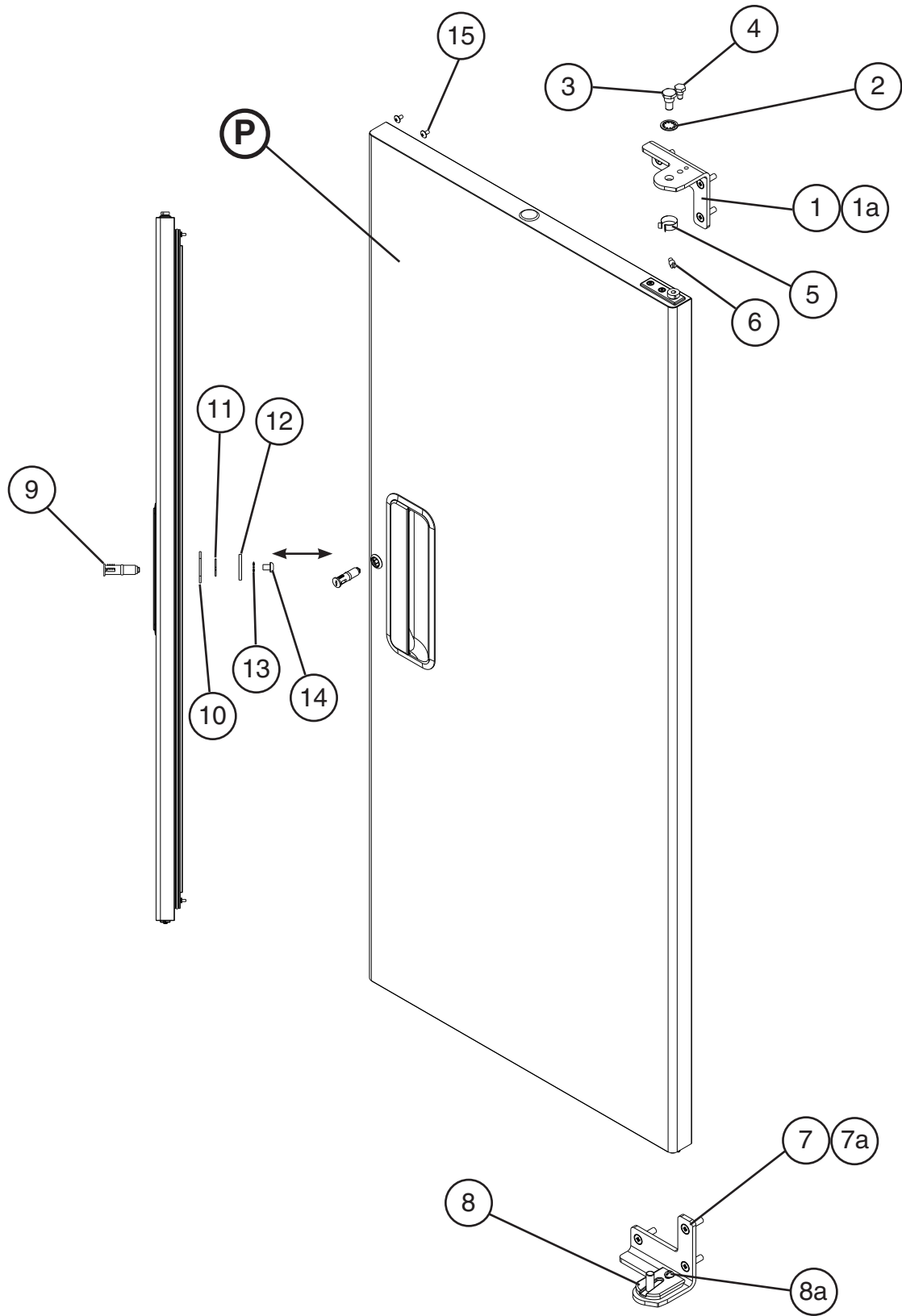
Title: <b>G. Door Assembly</b> Model: <b>PTR1SSB-HGHG, PTR1SSB-HGHS (HG)</b>															
Index No.	Description	Material or Model Number	Part Number	Required Number											
				R-5	S-5										
P	Door Sub-Assembly	<b>HGHG, HGHS (HG, UR)</b>	4A2967-02	1											
	Door Sub-Assembly	<b>HGHG, HGHS, (HG, LR)</b>	4A2967-04	1											
1	Hinge-Top Glass Door (Right)	-	3A1568-01	2											
1a	Screw-Countersunk	5x20, SS	7C42-0520	6											
2	Hinge-Bottom Glass Door (Right)	-	3A1569-01	2											
2a	Screw-Countersunk	5x20, SS	7C42-0520	6											
3	Wire Clamp	-	4A0809-02	2											
3a	Truss Head Screw	4x6, SS	7C32-0406	2											
4	Crank	-	4A2068-01	4											
5	Pin	-	4A2071-01	2											
6	Truss Head Screw (filler)	5x10, SS	7C32-0510	12											

**G. Door Assembly**  
**PTR1SSB-HGHS (HS), PTR1SSB-HSHS**  
 R-5, S-5



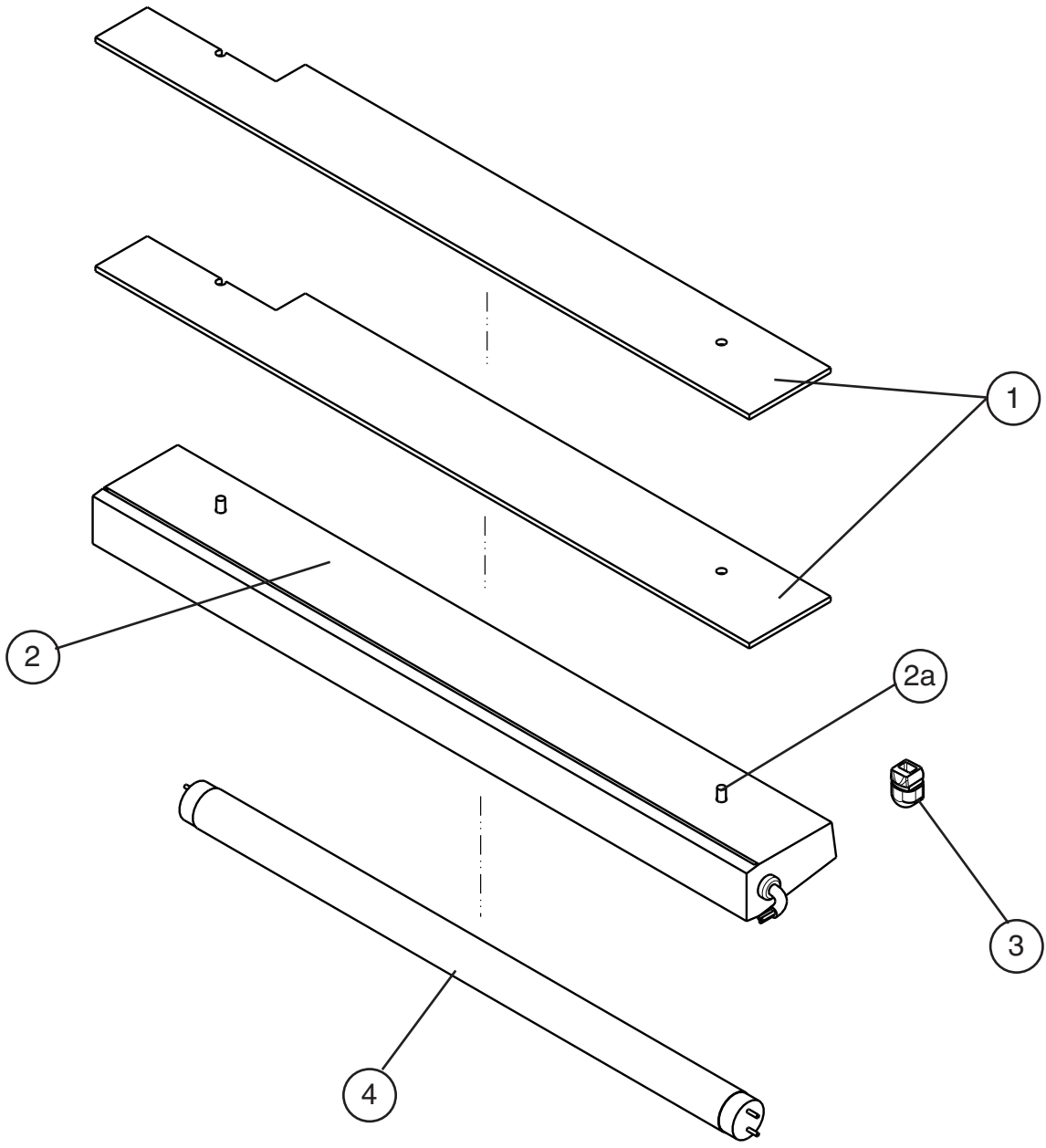
Title: <b>G. Door Assembly</b> Model: <b>PTR1SSB-HGHS (HS), PTR1SSB-HSHS</b>												
Index No.	Description	Material or Model Number	Part Number	Required Number								
				R-5	S-5							
P	Door Sub-Assembly	<b>HGHS, HSHS (HS, UR)</b>	2A3934G01	1								
	Door Sub-Assembly	<b>HGHS, HSHS (HS, LR)</b>	2A3935G01	1								
1	Bracket-Door Hinge (UR)	-	3A1580-01	1								
1a	Screw-Countersunk	5x20, SS	7C42-0520	3								
2	Hinge-Lock Washer	-	4A0553-01	2								
3	Hinge-Pivot Pin (Top)	-	4A2179-01	1								
4	Hinge-Stop Pin	-	4A2180-01	1								
5	Hinge-Tension Screw	-	4A0446-01	2								
6	Hinge-Bushing Cover	-	4A0445-01	2								
7	Bracket-Door Hinge (UL)	-	3A1581-01	1								
7a	Screw-Countersunk	5x20, SS	7C42-0520	3								
8	Hinge-Bottom Plate Female (R)	-	4A0441-01	2								
8a	Screw-Stop Plate	-	4A0483-01	2								
9	Truss Head Screw (filler)	5x10, SS	7C32-0510	15								
10	Pivot Pin	-	4A1735-01	1								
11	Stop Pin	-	4A1734-01	1								
12	Bracket-Door Hinge (LR)	-	3A1626-01	1								
12a	Screw-Countersunk	5x20, SS	7C42-0520	3								
13	Lock Tumbler (with key)	-	4A0462-01	2								
14	Washer Door Lock	SS	4A0670-01	2								
15	Lock-Stop Washer	-	4A0458-01	2								
16	Cam-Door Lock	-	4A0228-01	2								
17	Lock-Washer	-	4A0459-01	2								
18	Lock-Screw	-	4A0461-01	2								

**G. Door Assembly**  
**PTR1SSB-FSFS**  
S-5



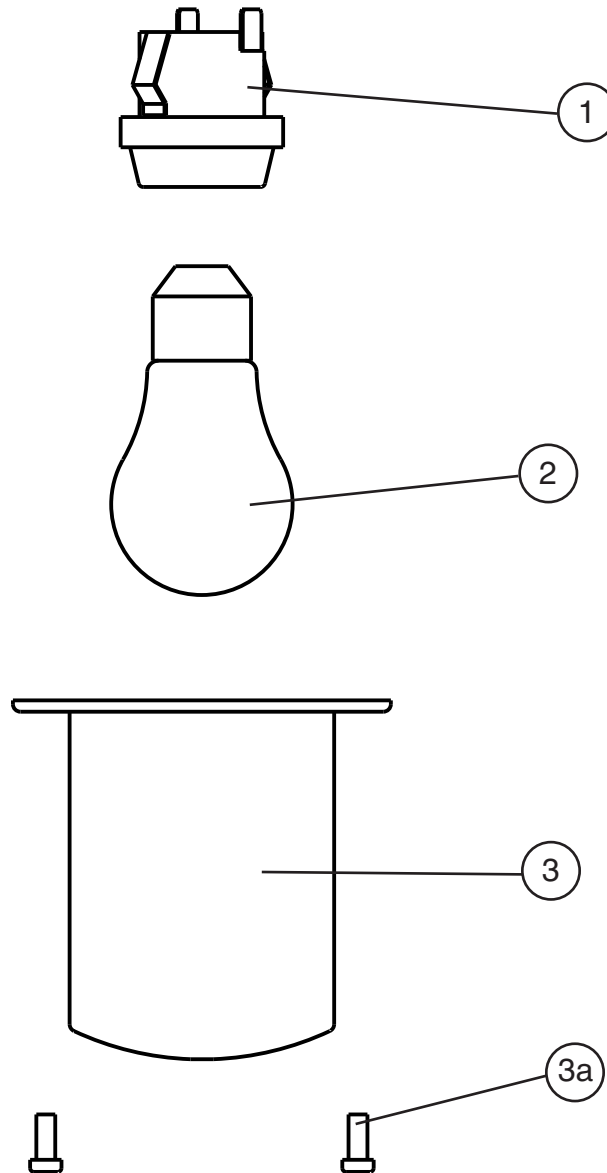
Title: <b>G. Door Assembly</b> Model: <b>PTR1SSB-FSFS</b>												
Index No.	Description	Material or Model Number	Part Number	Required Number								
				S-5								
P	Door-Sub-Assembly	<b>FSFS</b>	2A3940G01	1								
1	Bracket-Door Hinge (UR)	-	3A1580-01	1								
1a	Screw-Countersunk	5x20, SS	7C42-0520	3								
2	Hinge-Lock Washer	-	4A0553-01	1								
3	Hinge-Pivot Pin (Top)	-	4A2179-01	1								
4	Hinge-Stop Pin	-	4A2180-01	1								
5	Hinge-Bushing Cover	-	4A0445-01	1								
6	Hinge-Tension Screw	-	4A0446-01	1								
7	Bracket-Door Hinge (LR)	-	3A1626-01	1								
7a	Screw-Countersunk	5x20, SS	7C42-0520	3								
8	Hinge-Bottom Plate Female (R)	-	4A0441-01	1								
8a	Screw-Stop Plate	-	4A0483-01	1								
9	Lock Tumbler (with key)	-	4A0462-01	1								
10	Washer Door Lock	SS	4A0670-01	1								
11	Lock-Stop Washer	-	4A0458-01	1								
12	Cam-Door Lock	-	4A0228-01	1								
13	Lock-Washer	-	4A0459-01	1								
14	Lock-Screw	-	4A0461-01	1								
15	Truss Head Screw (filler)	5x10, SS	7C32-0510	6								

**H. Light Group**  
**PTR1SSB-FGFG, PTR1SSB-HGHG, PTR1SSB-HGHS**  
**Fluorescent Light Group**  
 R-5, S-5



Title: H. Light Group Model: PTR1SSB-FGFG, PTR1SSB-HGHG, PTR1SSB-HGHS										
Index No.	Description	Material or Model Number	Part Number	Required Number						
				R-5	S-5					
1	Shim-Lampholder	ABS	4A2963-01	2						
2	Lampholder-Upper	-	3A2498G01	1						
2a	Truss Head Screw	5x10, SS	7C32-0510	2						
3	Strain Relief	-	4A2148-01	1						
4	Lamp-Fluorescent	-	4A2787-01	1						

**H. Light Group**  
**PTR1SSB-FSFS, PTR1SSB-HSHS**  
**Incandescent Light Group**  
 S-5

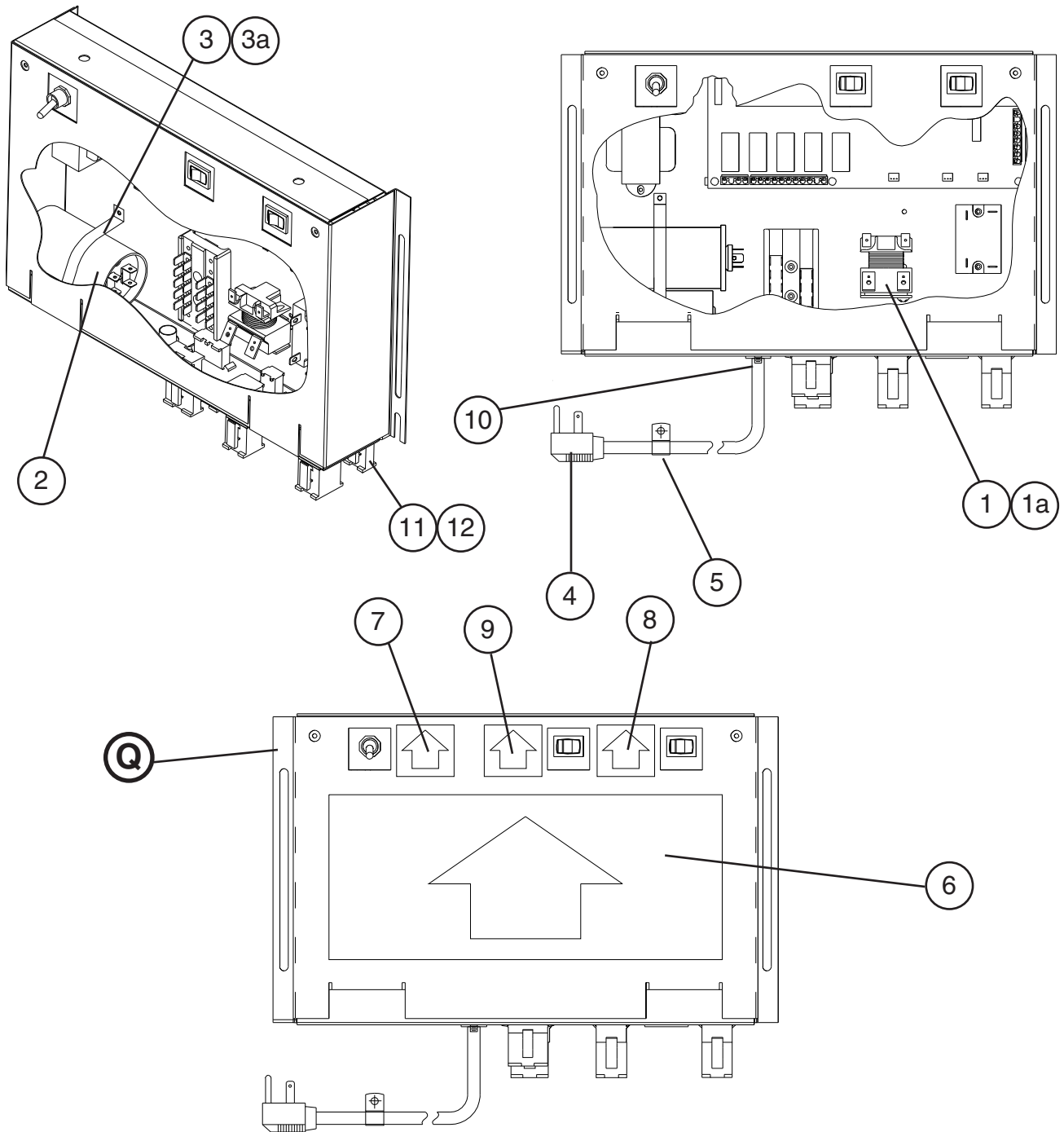


Title: <b>H. Light Group</b> Model: <b>PTR1SSB-FSFS, PTR1SSB-HSHS</b>					Required Number							
Index No.	Description	Material or Model Number	Part Number	S-5								
1	Lamp Holder	-	4A2862-01	1								
2	Bulb-Light	-	4A2420-01	1								
3	Shield-Light	-	4A0465-01	1								
3a	Cheese Head Screw	SS	7C52-0512	2								

# J. Control Box Assembly

PTR1SSB-FGFG, PTR1SSB-HGHG, PTR1SSB-HGHS, PTR1SSB-FSFS,  
PTR1SSB-HSHS

R-5, S-5





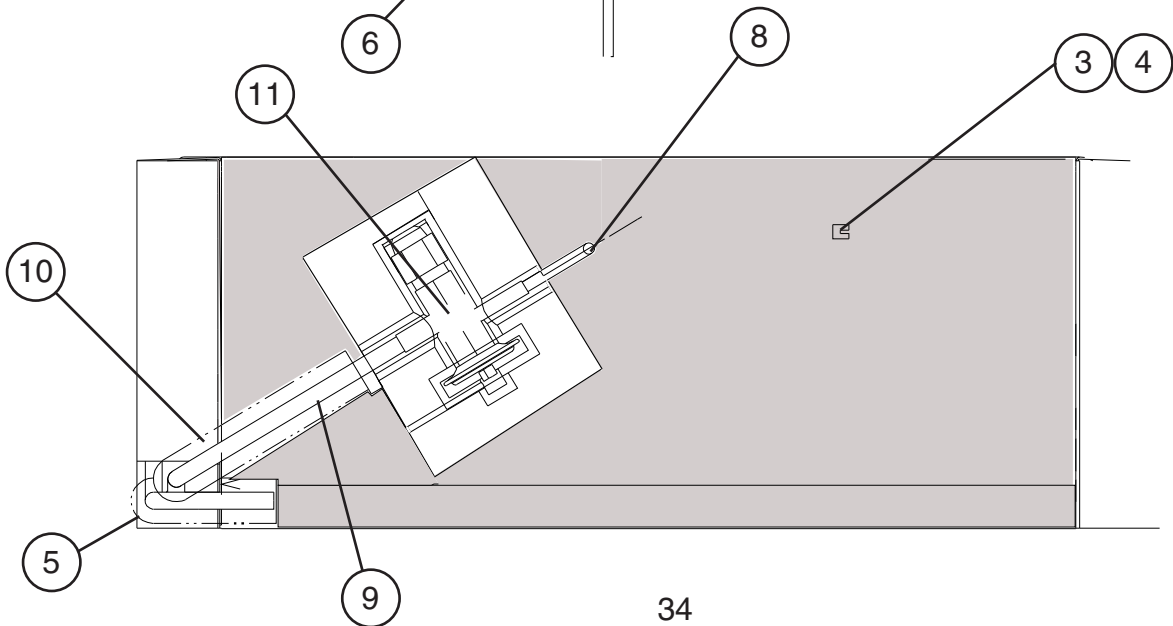
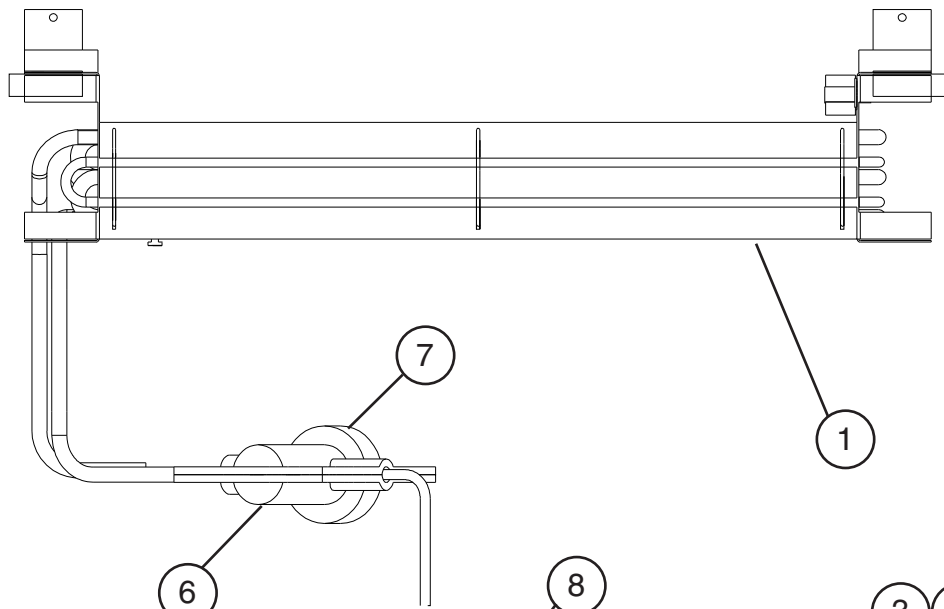
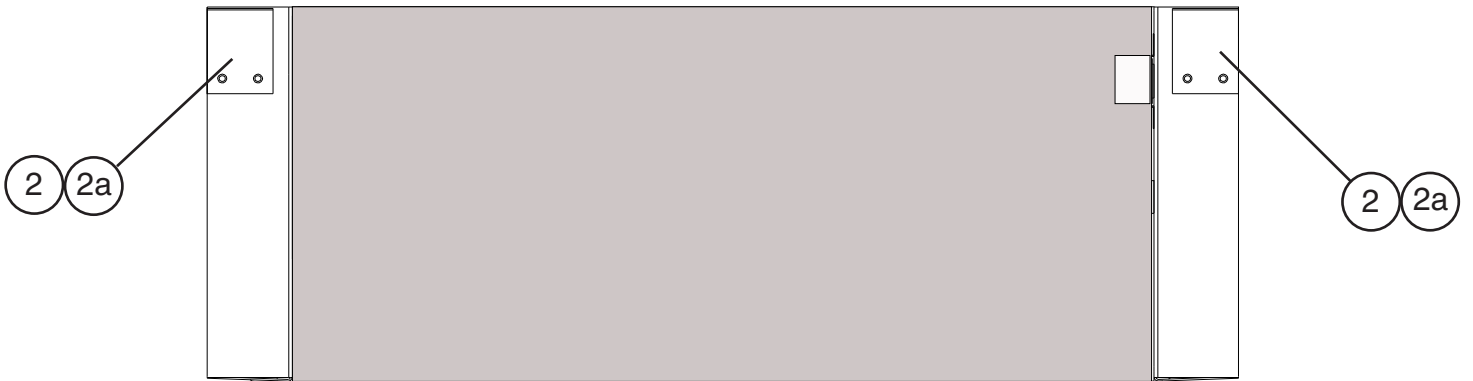
Title: **J. Control Box Assembly** Model: **PTR1SSB-FGFG, PTR1SSB-HGHG, PTR1SSB-HGHS, PTR1SSB-FSFS, PTR1SSB-HSHS**

Index No.	Description	Material or Model Number	Part Number	Required Number											
				R-5	S-5										
Q	Control Box-Common	<b>FGFG, HGHG, HGHS</b>	2A1147A02	1											
		<b>FSFS, HSHS</b>	2A1147A01	1											
1	Relay-Start	040-C016-03	4A2370-02	1											
1a	T2 Screw	4x8, SS	7P32-0408	1											
2	Capacitor-Start	145-174 MFD 250 V	4A2668-02	1											
3	Strap	GS	4A2262-02	1											
3a	T2 Screw	4x8, SS	7P32-0408	1											
4	Power Supply Cord	-	4A0520-01	1											
5	Wire Clamp	-	4A0809-02	1											
6	Label-Display Information	-	3A1413-01	1											
7	Label-On/Off	-	4A0522-01	1											
8	Label-Door/Heater Switch	-	4A1039-01	1											
9	Label-Glass Door Heater Switch	<b>FGFG, HGHG, HGHS</b>	4A2076-01	1											
10	Screw-Grounding	(M5)	433304-02	1											
11	Plug Housing	<b>FSFS, HSHS</b>	412832-06	1											
12	Receptacle Housing	<b>FSFS, HSHS</b>	412831-06	1											

# K. Evaporator Assembly

PTR1SSB-FGFG, PTR1SSB-HGHG, PTR1SSB-HGHS, PTR1SSB-FSFS,  
PTR1SSB-HSHS

R-5, S-5



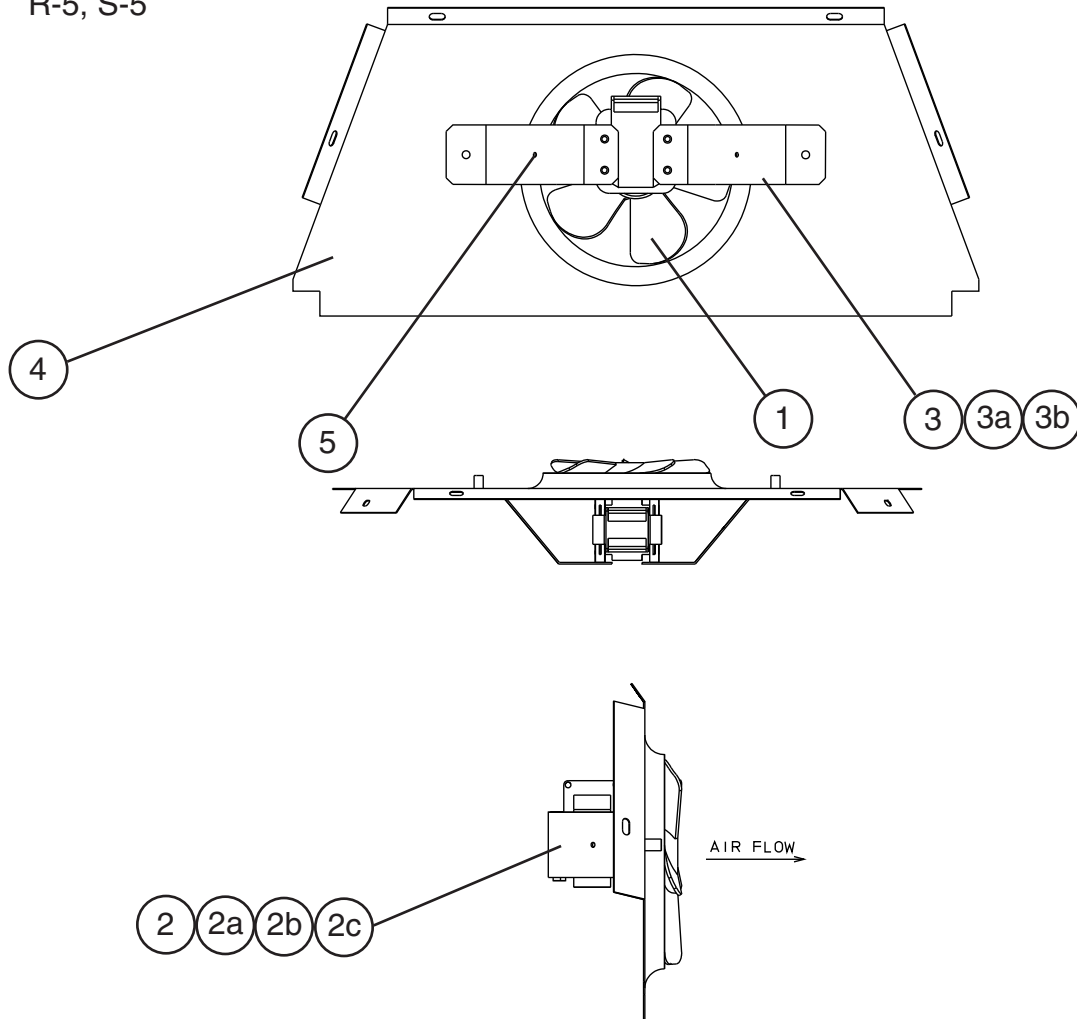
Title: **K. Evaporator Assembly** Model: **PTR1SSB-FGFG, PTR1SSB-HGHG, PTR1SSB-HGHS, PTR1SSB-FSFS, PTR1SSB-HSHS**

Index No.	Description	Material or Model Number	Part Number	Required Number											
				R-5	S-5										
1	Evaporator	-	2A0781-01	1											
2	Bracket-Evaporator	SS	4A2542-01	2											
2a	T2 Screw	4x8, SS	7P32-0408	4											
3	Thermistor Clip	-	320418-01	1											
4	Thermistor-Defrost	L=2300	4A1428-01	1											
5	Insulation Tube	L=655	7762-1030	1											
6	Expansion Valve Cover (A)	-	3A0372-01	1											
7	Expansion Valve Cover (B)	-	3A0372-02	1											
8	Tube-Liquid	-	4A2210-01	1											
9	Tube-Evaporator Inlet	-	4A1292-02	1											
10	Insulation Tube	L=365	7762-1030	1											
11	Expansion Valve	-	4A2859-01	1											

## L. Fan-Evaporator Assembly

**PTR1SSB-FGFG, PTR1SSB-HGHG, PTR1SSB-HGHS, PTR1SSB-FSFS,  
PTR1SSB-HSHS**

R-5, S-5

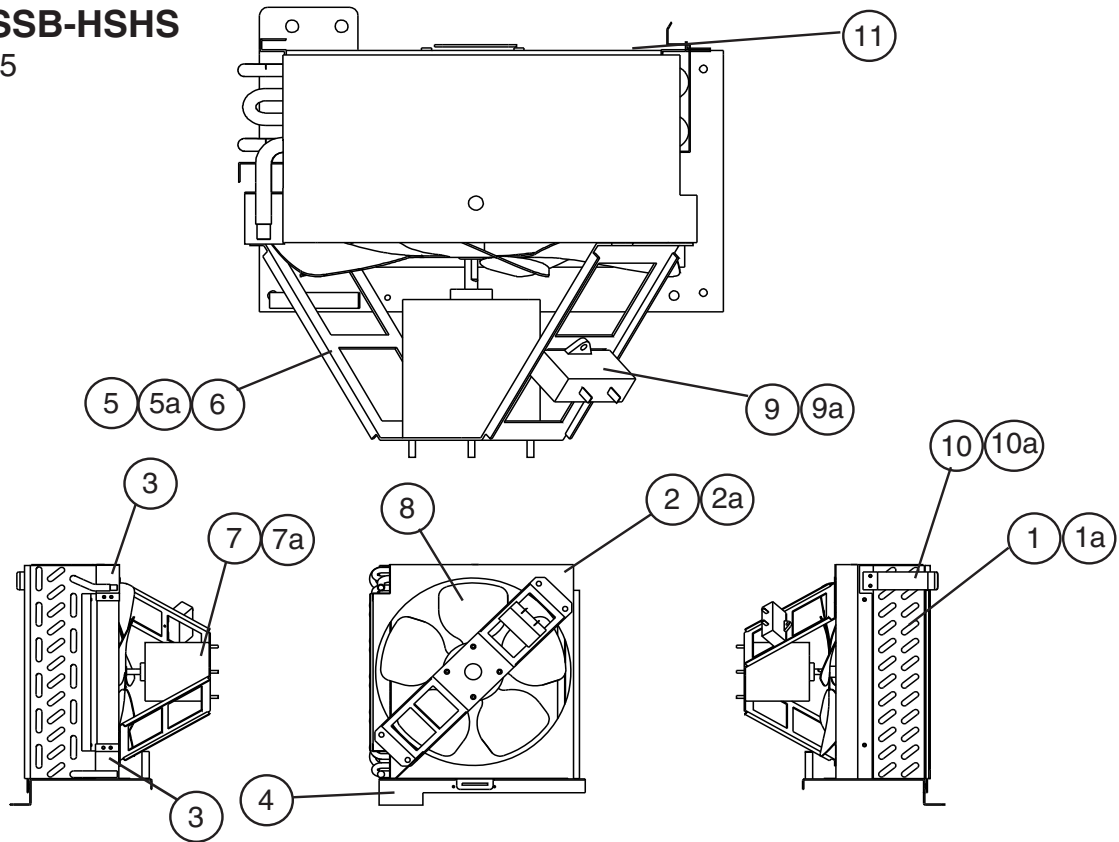


Title: L. Fan-Evaporator Assembly Model: PTR1SSB-FGFG, PTR1SSB-HGHG, PTR1SSB-HGHS, PTR1SSB-FSFS, PTR1SSB-HSHS										
Index No.	Description	Material or Model Number	Part Number	Required Number						
				R-5	S-5					
1	Blade-Fan	-	4A2378-01	1						
2	Motor-Fan Motor	-	4A2563-01	1						
2a	Split Lock Washer	M4, SS	7L22-0400	4						
2b	Hex Nut	M4, SS	7N12-0400	4						
2c	Truss Head Screw	4x40, SS	7C32-0440	4						
3	Bracket-Fan Motor	SS	3A2501-01	2						
3a	Lock-Washer	-	4A0459-01	2						
3b	Truss Head Screw	5x12, SS	7C32-0512	2						
4	Shroud, Evaporator Fan	SS	2A0846-01	1						
5	Wire Tie Twist	-	4A1223-01	1						

## M. Condenser Assembly

**PTR1SSB-FGFG, PTR1SSB-HGHG, PTR1SSB-HGHS, PTR1SSB-FSFS,  
PTR1SSB-HSHS**

R-5, S-5



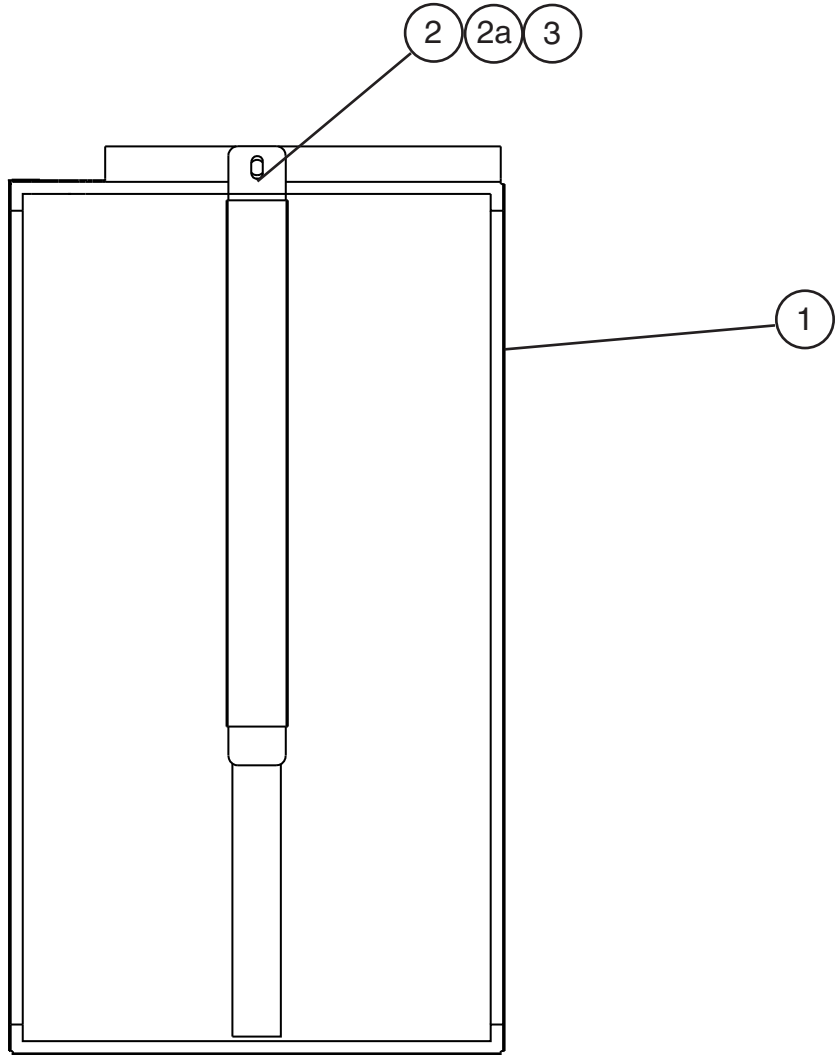
Title: **M. Condenser Assembly** Model: **PTR1SSB-FGFG, PTR1SSB-HGHG, PTR1SSB-HGHS, PTR1SSB-FSFS,  
PTR1SSB-HSHS**

Index No.	Description	Material or Model Number	Part Number	Required Number													
				R-5	S-5												
1	Condenser	-	2A0782-01	1													
1a	T2 Screw	4x8, SS	7P32-0408	4													
2	Shroud-Condenser	GS	2A2723-01	1													
2a	T2 Screw	4x8, SS	7P32-0408	4													
3	Clip-Condenser Shroud	GS	4A2987-01	2													
4	Base-Condenser	GS	2A2724G01	1													
5	Bracket-Motor	GS	3A2352-01	1													
5a	Truss Head Screw	5x10, SS	7C32-0510	4													
6	Cable Tie	CV-200	8911-0200	1													
7	Fan Motor	(50 Watt)- GEHI	4A3158-01	1													
7a	Self-Locking Nut	No.8-32	7N2110832	4													
8	Blade-Fan	-	4A1865-01	1													
9	Capacitor	5.0 MFD, 250 V	443192-02	1													
9a	T2 Screw	4x8, SS	7P32-0408	1													
10	Retainer-Filter	SS	4A0790-01	1													
10a	T2 Screw	4x8, SS	7P32-0408	2													

**N. Evaporator Drain Pan**

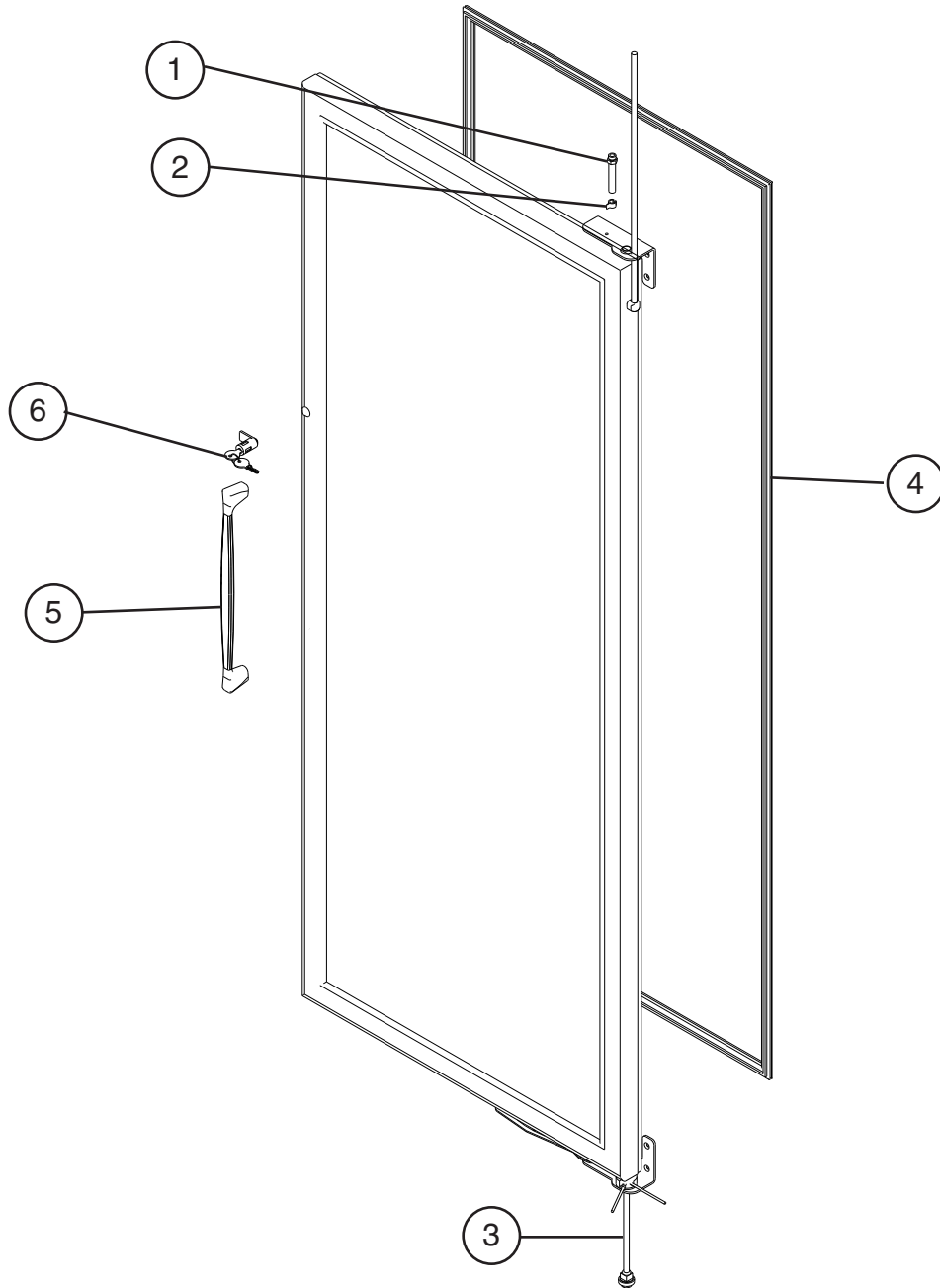
**PTR1SSB-FGFG, PTR1SSB-HGHG, PTR1SSB-HGHS, PTR1SSB-FSFS,  
PTR1SSB-HSHS**

R-5, S-5



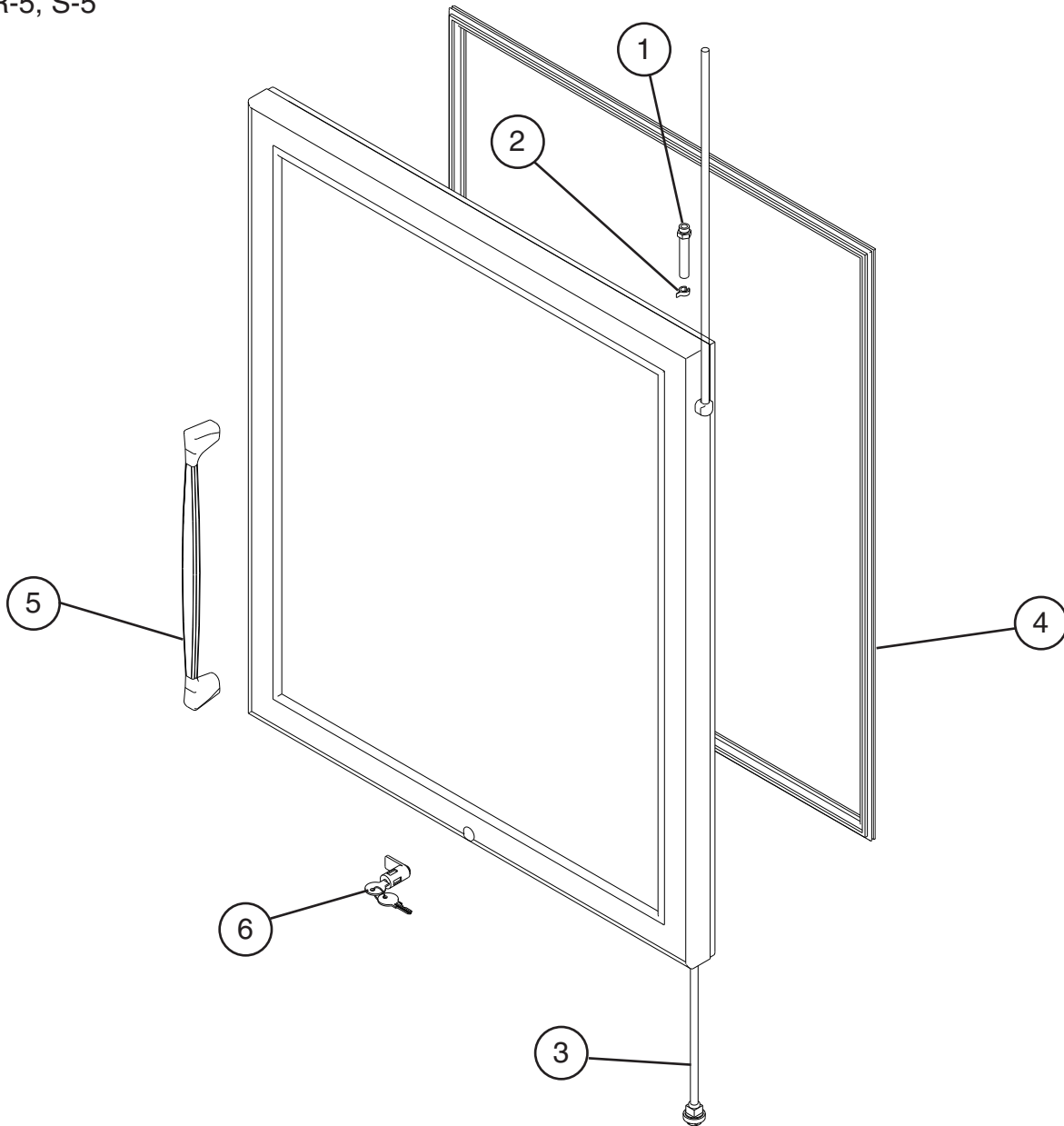
Title: N. Evaporator Drain Pan Model: PTR1SSB-FGFG, PTR1SSB-HGHG, PTR1SSB-HGHS, PTR1SSB-FSFS, PTR1SSB-HSHS												
Index No.	Description	Material or Model Number	Part Number	Required Number								
				R-5	S-5							
1	Pan Evaporator Drain	SS	2A0616-03	1								
2	Strap-Condensate Coil	SS	3A0232-03	1								
2a	Truss Head Screw	5x12, SS	7C32-0512	1								
3	Gasket-Condenser Coil	-	4A0455-03	1								

**P. Door Sub-Assembly**  
**PTR1SSB-FGFG**  
 S-5



Title: <b>P. Door Sub-Assembly</b>		Model: <b>PTR1SSB-FGFG</b>		Required Number										
Index No.	Description	Material or Model Number	Part Number	S-5										
1	Pin-Glass Door	-	4A2047-01	1										
2	Clip-Glass Door	-	4A2048-01	1										
3	Rod-Torque	-	4A2072-01	1										
4	Gasket-Glass Door	-	4A2052-01	1										
5	Handle-Glass Door	-	4A2106-01	1										
6	Lock-Cylinder (with key)	-	4A2919-01	1										

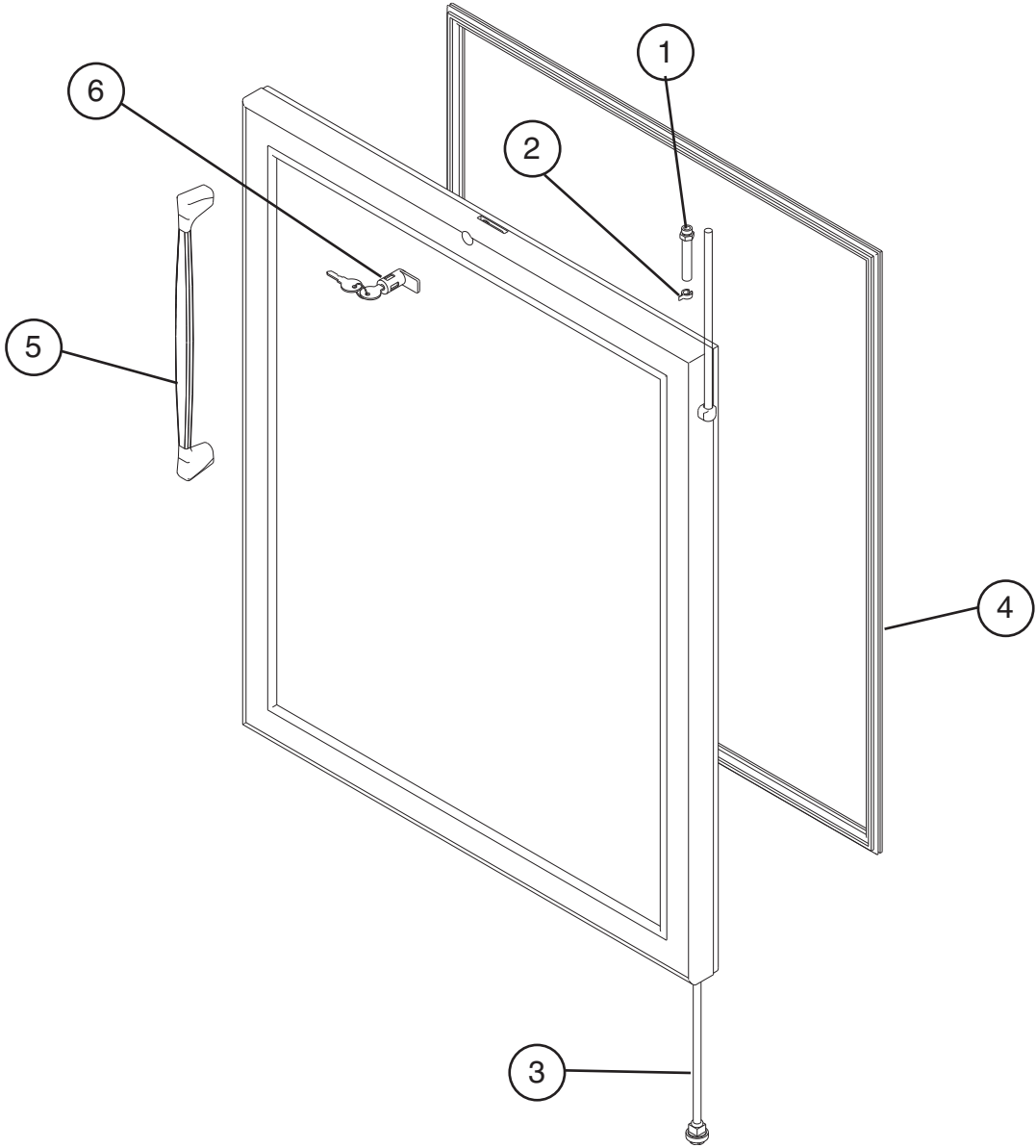
**P. Door Sub-Assembly**  
**PTR1SSB-HGHG (UR), PTR1SSB-HGHS (HG, UR)**  
 R-5, S-5



Title: P. Door Sub-Assembly		Model: PTR1SSB-HGHG (UR), PTR1SSB-HGHS (HG, UR)		Required Number										
Index No.	Description	Material or Model Number	Part Number	R-5	S-5									
1	Pin-Glass Door	-	4A2047-01	1										
2	Clip-Glass Door	-	4A2048-02	1										
3	Rod-Torque	-	4A2072-02	1										
4	Gasket-Glass Door	-	4A2052-03	1										
5	Handle-Glass Door	-	4A2106-01	1										
6	Lock-Cylinder (with key)	-	4A2919-01	1										

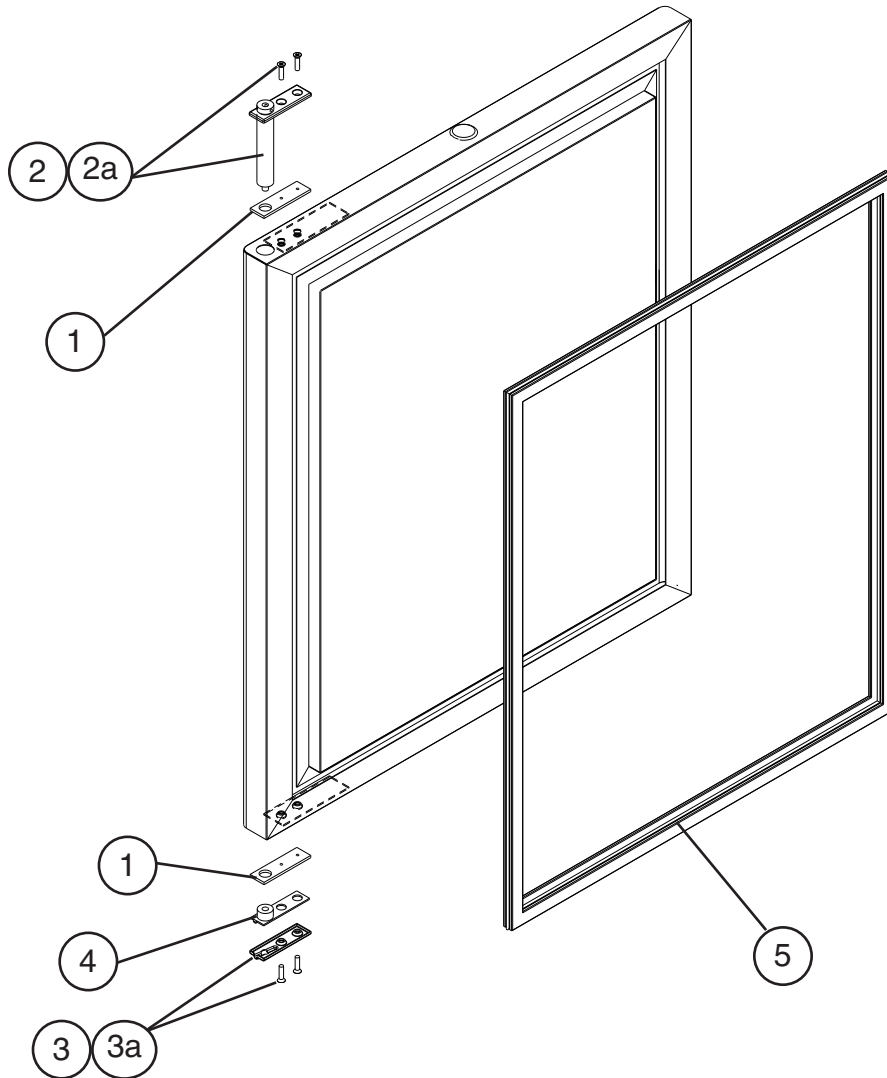


**P. Door Sub-Assembly**  
**PTR1SSB-HGHG (LR), PTR1SSB-HGHS (HG, LR)**  
 R-5, S-5



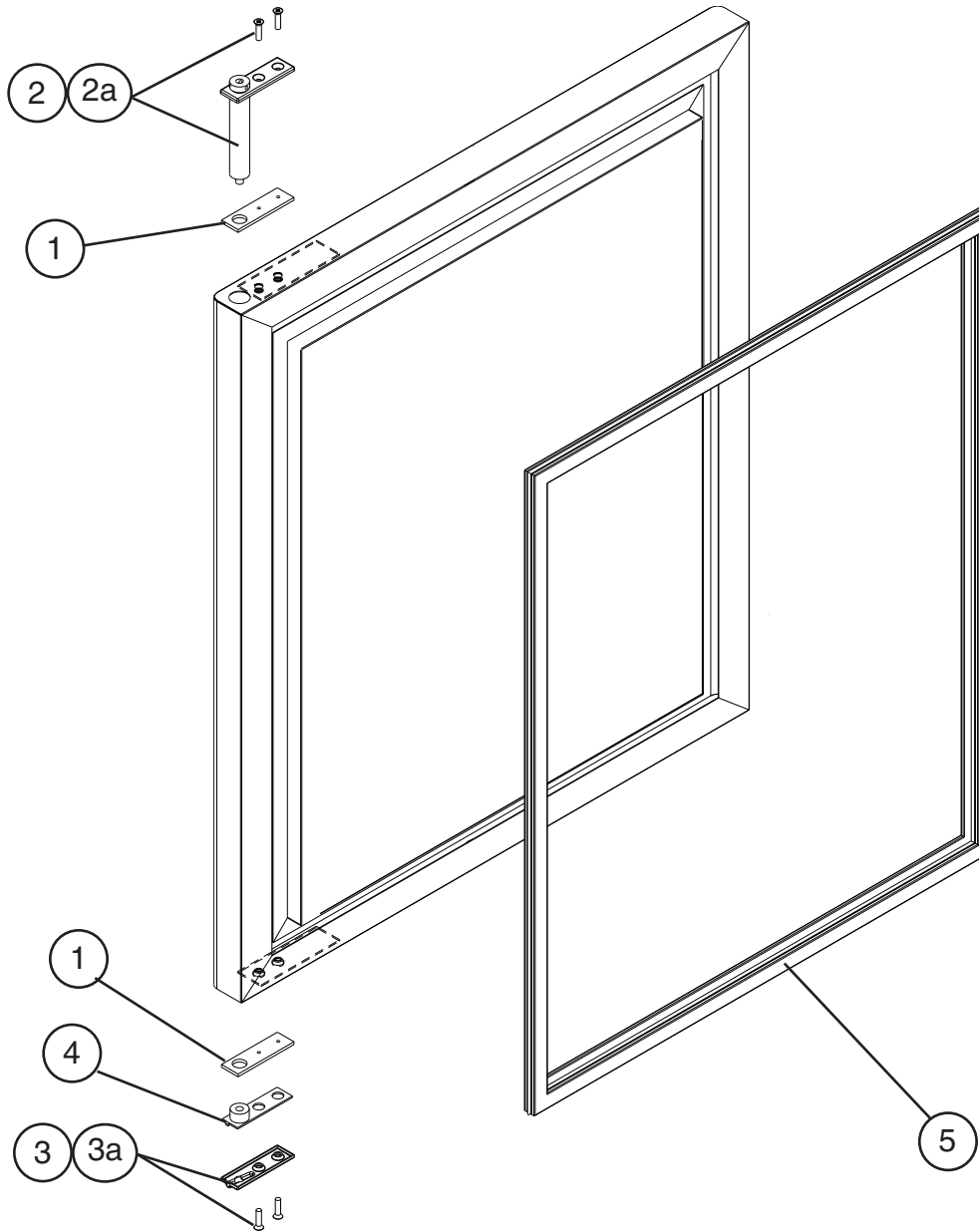
Title: P. Door Sub-Assembly		Model: PTR1SSB-HGHG (LR), PTR1SSB-HGHS (HG, LR)		Required Number							
Index No.	Description	Material or Model Number	Part Number	R-5							
				S-5							
1	Pin-Glass Door	-	4A2047-01	1							
2	Clip-Glass Door	-	4A2048-02	1							
3	Rod-Torque	-	4A2072-02	1							
4	Gasket-Glass Door	-	4A2052-03	1							
5	Handle-Glass Door	-	4A2106-01	1							
6	Lock-Cylinder (with key)	-	4A2919-01	1							

**P. Door Sub-Assembly**  
**PTR1SSB-HGHS (HS, UR), PTR1SSB-HSHS (UR)**  
 R-5, S-5



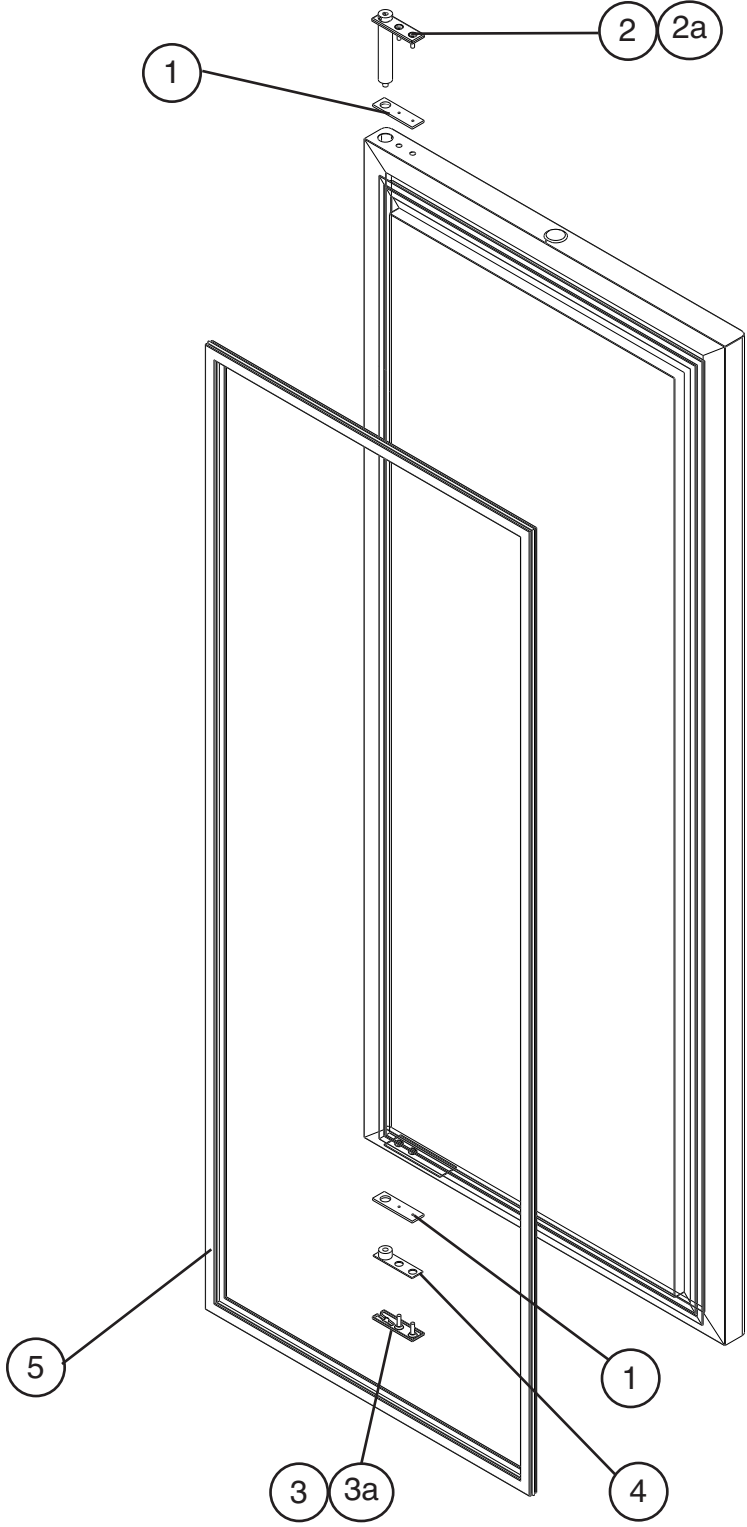
Title: P. Door Sub-Assembly		Model: PTR1SSB-HGHS (HS, UR), PTR1SSB-HSHS (UR)		Required Number							
Index No.	Description	Material or Model Number	Part Number	R-5	S-5						
1	Foam Pad	-	4A2257-01	2							
2	Hinge-Spring Cartridge (R)	-	4A0438-01	1							
2a	Screw-Countersunk	5x20, SS	7C42-0520	2							
3	Hinge-Bottom Plate Male (R)	-	4A0440-01	1							
3a	Screw-Countersunk	5x20, SS	7C42-0520	2							
4	Hinge-Bottom Bushing (R)	-	4A0439-01	1							
5	Gasket-Door (Half)	-	3A0273-02	1							

**P. Door Sub-Assembly**  
**PTR1SSB-HGHS (HS, LR), PTR1SSB-HSHS (LR)**  
 R-5, S-5



Title: P. Door Sub-Assembly Model: PTR1SSB-HGHS (HS, LR), PTR1SSB-HSHS (LR)															
Index No.	Description	Material or Model Number	Part Number	Required Number											
				R-5	S-5										
1	Foam Pad	-	4A2257-01	2											
2	Hinge-Spring Cartridge (R)	-	4A0438-01	1											
2a	Screw-Countersunk	5x20, SS	7C42-0520	2											
3	Hinge-Bottom Plate Male (R)	-	4A0440-01	1											
3a	Screw-Countersunk	5x20, SS	7C42-0520	2											
4	Hinge-Bottom Bushing (R)	-	4A0439-01	1											
5	Gasket-Door (Half)	-	3A0273-02	1											

**P. Door Sub-Assembly**  
**PTR1SSB-FSFS**  
S-5

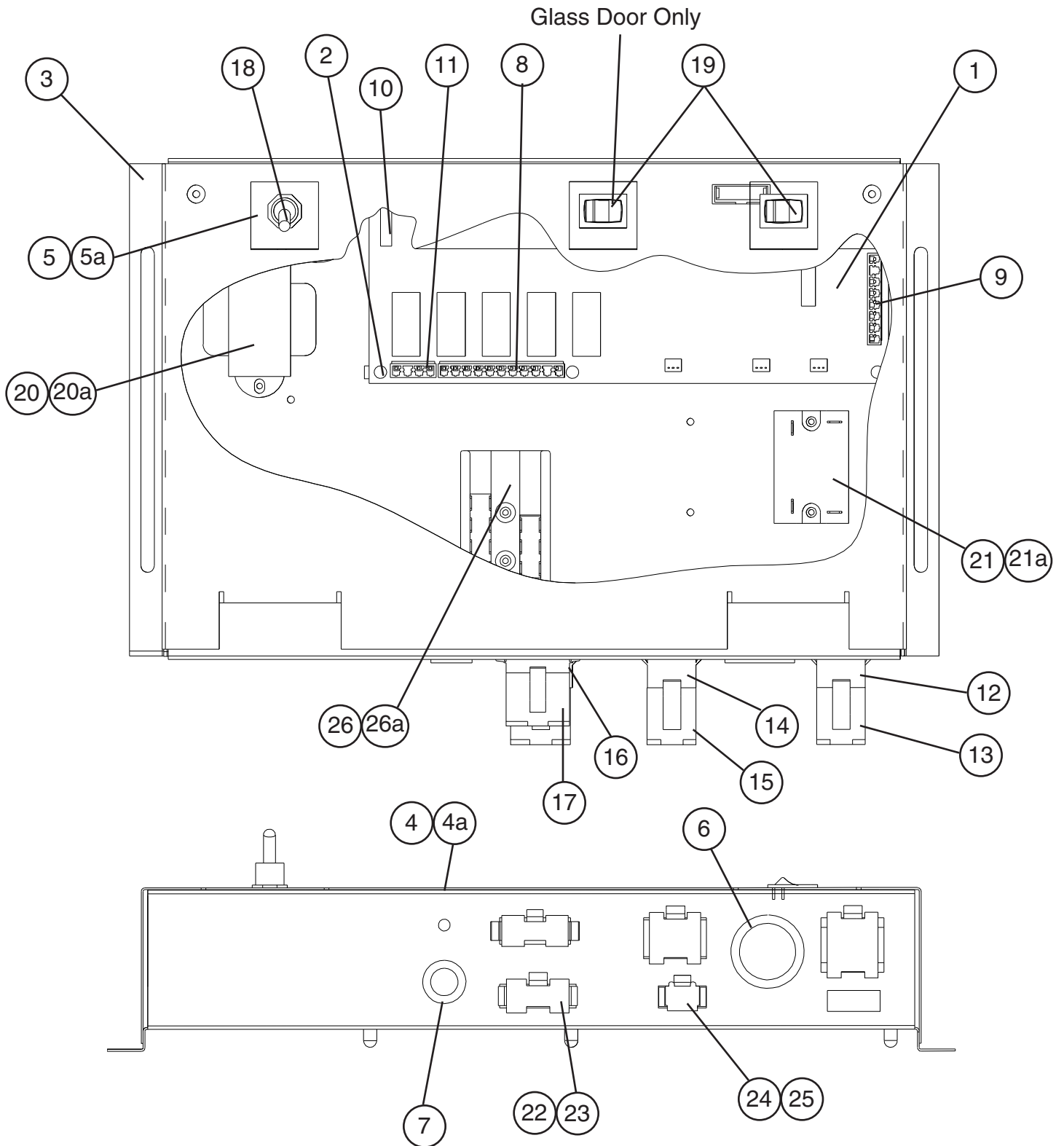


Title: <b>P. Door Sub-Assembly</b> Model: <b>PTR1SSB-FSFS</b>												
Index No.	Description	Material or Model Number	Part Number	Required Number								
				S-5								
1	Foam Pad	-	4A2257-01	2								
2	Hinge-Spring Cartridge (R)	-	4A0438-01	1								
2a	Screw-Countersunk	5x20, SS	7C42-0520	2								
3	Hinge-Bottom Plate Male (R)	-	4A0440-01	1								
3a	Screw-Countersunk	5x20, SS	7C42-0520	2								
4	Hinge-Bottom Bushing (R)	-	4A0439-01	1								
5	Gasket-Door	-	3A0273-01	1								

# Q. Common Control Box

PTR1SSB-FGFG, PTR1SSB-HGHG, PTR1SSB-HGHS, PTR1SSB-FSFS,  
PTR1SSB-HSHS

R-5, S-5



Title: **Q. Common Control Box** Model: **PTR1SSB-FGFG, PTR1SSB-HGHG, PTR1SSB-HGHS, PTR1SSB-FSFS, PTR1SSB-HSHS**

Index No.	Description	Material or Model Number	Part Number	Required Number																
				R-5	S-5															
1	Control Board	-	2A2862-23	1																
2	Board Support	CBLS37-M	4A0336-03	6																
3	Base-Control Box	GS	2A1146-01	1																
4	Cover-Control Box	<b>FGFG, HGHG, HGHS</b>	2A1031-02	1																
		<b>FSFS, HSHS</b>	2A1031-01	1																
4a	T2 Screw	4x8, SS	7P32-0408	2																
5	Switch-Bracket	GS	2A1032-02	1																
5a	T2 Screw	4x8, SS	7P32-0408	2																
6	Bushing	SB-1093-15	420470-03	1																
7	Bushing	SB-625-8	420470-01	1																
8	Board Connector	5198-10	434003-05	1																
9	Board Connector	5198-07	434003-07	1																
10	Board Connector	5198-03	434003-09	1																
11	Board Connector	5198-03 Red	434003-11	1																
12	Plug Housing	9P	412832-02	1																
13	Receptacle Housing	9P 3191-09R1	412831-02	1																
14	Plug Housing	6P 3191-06-P	412832-03	1																
15	Receptacle Housing	6P	412831-03	1																
16	Plug Housing	3P 03-12-1036	4A0425-01	1																
17	Receptacle Housing	3P 03-12-1035	4A0426-01	1																
18	Switch-Toggle	-	4A0424-01	1																
19	Switch-Rocker	<b>FGFG, HGHG, HGHS</b>	4A0418-01	2																
		<b>FSFS, HSHS</b>		1																
20	Transformer	-	3A1759-01	1																
20a	Tapping Screw	3x8	431415-01	2																
21	Compressor Relay	-	4A1307-01	1																
21a	Tapping Screw	3x8	431415-01	2																
22	Plug Housing	4P 3191-04-P	412832-05	1																
23	Receptacle Housing	4P 3191-04R1	412831-05	1																
24	Plug Housing	2P 3191-02P	412832-07	1																
25	Receptacle Housing	2P 3191-02R1	412831-07	1																
26	Terminal Block	ESB2-323-424	4A2619-01	1																
26a	Tapping Screw	3x8	431415-01	2																