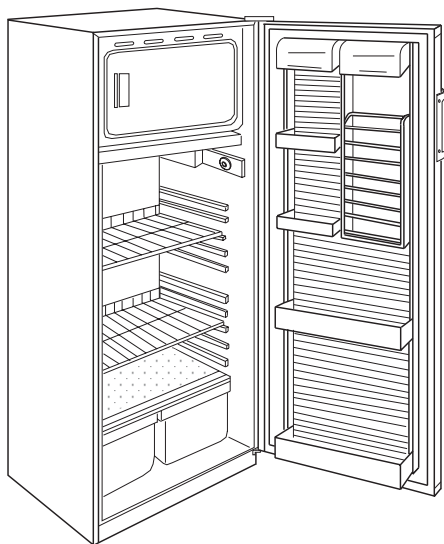


# Haier®

What The World Comes Home To™



## Single Door Refrigerators Réfrigérateurs à Une Porte

## Refrigeradores de Puerta Individual Refrigerators

### **User Manual-**

*(Features may vary by model)*

Model #'s: HSE08WNA, HSE10WNA, HSE12WNA

### **Guide de l'Utilisateur-**

*(Les caractéristiques peuvent  
varier en fonction du modèle)*

Modèles: HSE08WNA, HSE10WNA, HSE12WNA

### **Manual del Usuario-**

*(Las funciones pueden variar  
según el modelo)*

Para Modelos de HSE08WNA, HSE10WNA, HSE12WNA

# SAFETY PRECAUTIONS

**Read all of the instructions before using this appliance. When using this appliance, always exercise basic safety precautions, including the following:**

- 1) Use this appliance only for its intended purpose as described in this use and care guide.
- 2) This refrigerator must be properly installed in accordance with the installation instructions before it is used. See grounding instructions in the installation section.
- 3) Never unplug your refrigerator by pulling on the power cord. Always grasp the plug firmly and pull straight out from the outlet.
- 4) Repair or replace immediately, all electric service cords that have become frayed or otherwise damaged. Do not use a cord that shows cracks or abrasion damage along its length, the plug or the connector end.
- 5) Unplug your refrigerator before cleaning or before making any repairs.  
**Note:** *If for any reason this product requires service, we strongly recommend that a certified technician performs the service.*
- 6) Do not use any electrical device or any sharp instrument in defrosting your refrigerator.
- 7) If your old refrigerator is not being used, we recommend that you remove the doors. This will reduce the possibility of danger to children.
- 8) After your refrigerator is in operation, do not touch the cold surfaces in the freezer compartment, particularly when hands are damp or wet. Skin may adhere to these extremely cold surfaces.
- 9) Do not refreeze foods, which have been thawed completely. The United States Department of Agriculture in Home and Garden Bulletin No. 69 reads: "...You may safely refreeze frozen foods that have thawed if they still contain ice crystals or if they are still cold-below 40°F".

"...Thawed ground meats, poultry, or fish that have any off-odor or off-color should not be refrozen and should not be eaten. Thawed ice cream should be discarded. If the odor or color of any food is poor or questionable, discard it. The food may be dangerous to eat."

"...Even partial thawing and re-freezing reduce the eating quality of foods, particularly fruits, vegetables, and prepared foods. The eating quality of red meats is affected less than that of many other foods. Use refrozen foods as soon as possible, to save as much of its eating quality as you can."

- 10) This refrigerator should not be recessed or built-in an enclosed cabinet. It is designed for freestanding installation only.
- 11) Do not operate your refrigerator in the presence of explosive fumes.

**For Future Reference Please**

# **SAVE THESE INSTRUCTIONS**

## **DANGER**

**Risk of child entrapment. Before you throw away your old refrigerator or freezer, take off the doors. Leave the shelves in place so that children may not easily climb inside.**

**As per UL 250 11.2.6**

Thank you for using our Haier product. This easy-to-use manual will guide you in getting the best use of your refrigerator.

Remember to record the model and serial number. They are on a label in back of the refrigerator.

---

*Model number*

---

*Serial number*

---

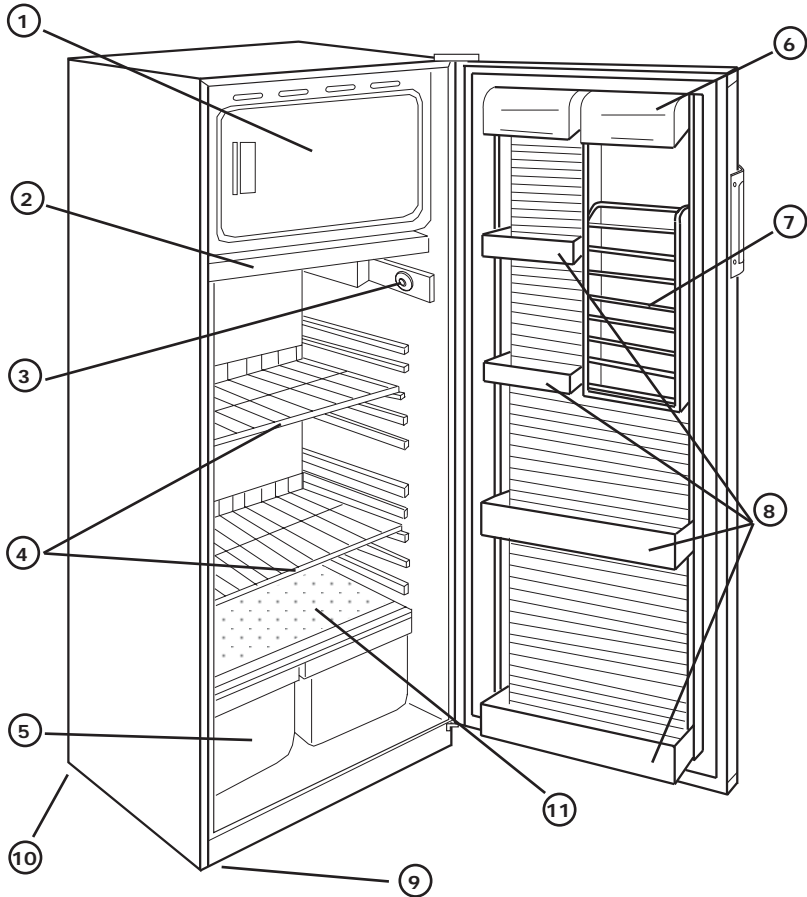
*Date of purchase*

Staple your receipt to your manual. **You will need it to obtain warranty service.**

# Table Of Contents

	PAGE
<b>Safety Precautions</b> .....	1
<b>Parts And Features</b> .....	4
<b>Installing Your Refrigerator</b> .....	5
Unpacking Your Refrigerator .....	5
Adjusting Your Refrigerator.....	5
Proper Air Circulation .....	5
Electrical Requirements.....	6
Door Handle Installation.....	7
Door Alignment.....	7
Reversing the Door Swing.....	8
Reversing The Door Handles .....	10
Reversing The Freezer Door .....	10
<b>Refrigerator Features And Use</b> .....	11
General Features.....	11
Refrigerator Interior Shelves .....	11
Crisper and Crisper Cover .....	12
Refrigerator Door Shelves .....	13
Defrosting.....	14
Food Storage Information .....	15
Normal Operating Sounds.....	17
<b>Proper Refrigerator Care and Cleaning</b> .....	18
Cleaning and Maintenance .....	18
Light Bulb Replacement .....	19
Power Interruptions .....	19
Vacation and Moving Care .....	19
<b>Troubleshooting</b> .....	20
<b>Warranty Information</b> .....	22

# Parts And Features



- |                          |                                      |
|--------------------------|--------------------------------------|
| 1. Freezer Compartment   | 6. Egg Storage/<br>Dairy Compartment |
| 2. Water-Collecting Tray | 7. Dispense-A-Can                    |
| 3. Thermostat Control    | 8. Door Storage Shelves              |
| 4. Wire Shelves          | 9. Two Leveling Legs (not shown)     |
| 5. Vegetable Crispers    | 10. Two Rollers (not shown)          |
|                          | 11. Plastic Crisper Cover            |

**NOTE:** Not all features are on all models.

# Installing Your Refrigerator

## Unpacking Your Refrigerator

1. Remove all packaging material. This includes the foam base and all adhesive tape holding the refrigerator accessories inside and outside. Slide out and remove plastic or foam guard used to secure the compressor from shipping damage due to vibration and shock.
2. Inspect and remove any remains of packing, tape or printed materials before powering on the refrigerator.

## Adjusting Your Refrigerator

### Leveling Your Refrigerator:

- Your refrigerator has two leveling legs which are located in the front corners of your refrigerator. After properly placing your refrigerator in its final position, you can level your refrigerator.
- Leveling legs can be adjusted by turning them clockwise to raise your refrigerator or by turning them counterclockwise to lower your refrigerator. The refrigerator door will close easier when the leveling legs are raised.

## Proper Air Circulation

- To assure your refrigerator works at the maximum efficiency it was designed for, you should install it in a location where there is proper air circulation, plumbing and electrical connections.
- The following are recommended clearances around the refrigerator:
  - Sides.....3/4 "(19mm)
  - Top.....2" (50mm)
  - Back.....2" (50mm)

## Electrical Requirement

- Make sure there is a suitable power Outlet (115 volts, 15 amps outlet) with proper grounding to power the refrigerator.
- Avoid the use of three plug adapters or cutting off the third grounding in order to accommodate a two plug outlet. This is a dangerous practice since it provides no effective grounding for the refrigerator and may result in shock hazard.

## Use of Extension Cords

- Avoid the use of an extension cord because of potential safety hazards under certain conditions. If it is necessary to use an extension cord, use only a 3-wire extension cord that has a 3-blade grounding plug and a 3-slot outlet that will accept the plug. The marked rating of the extension cord must be equal to or greater than the electrical rating of the appliance.

## Install Limitations

- Do not install your refrigerator in any location not properly insulated or heated e.g. garage etc. Your refrigerator was not designed to operate in temperature settings below 55° Fahrenheit.
- Select a suitable location for the refrigerator on a hard even surface away from direct sunlight or heat source e.g. radiators, baseboard heaters, cooking appliances etc. Any floor unevenness should be corrected with the leveling legs located on the front bottom corners of the refrigerator.

## Door Handle Installation

### Handle installation of refrigerator door:

1. Take out door handle, screws and screw covers from refrigerator accessory bag.
2. Align the upper part of door handle with the screw hole of the upper side of refrigerator door, and fix with screw.
3. Align the lower screw hole of the door handle with the hole in the refrigerator door, fix with screw, and cover it with a screw cover.

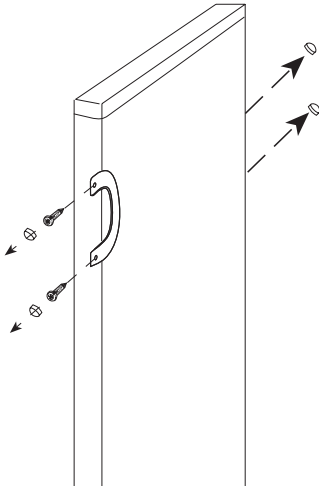


fig. # 1

## Door Alignment (see fig. # 2)

1. Remove hinge cover screw.
2. Remove the top hinge cover.
3. Loosen the top hinge screws using a phillips head screwdriver.
4. Adjust the door or put a spacer in between and then tighten the screws.
5. Replace the top hinge cover.



## Reversing the Door Swing

### Left/right door opening method:

This product provides the reversing of the left/right door opening. You can select your preference of door opening by following the procedure to make the change.

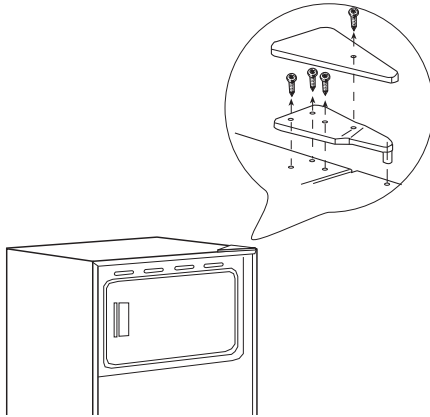


fig. # 2

### Dismantling: (see fig. # 2)

1. Fix refrigerator door by sticking adhesive tape on both sides to hold door in place.
2. As shown in fig. 2, dismantle the hinge box cover on the upper part of refrigerator door with a phillips head screwdriver. Then remove the screws from the hinge. Take out the hinge by pulling it vertically, and keep it in a safe place.
3. Remove the adhesive tape on refrigerator door, lift and take down refrigerator door, and carefully put it aside.

**Reinstallation:** (see fig. # 3 and # 4)

1. As shown in fig. 3, dismantle the lower hinge and plastic pad from right side and then install them on the left side.

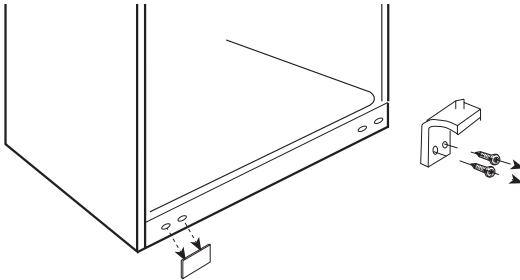


fig. # 3

2. As shown in fig. 4, install the top hinge and pad to the left side.

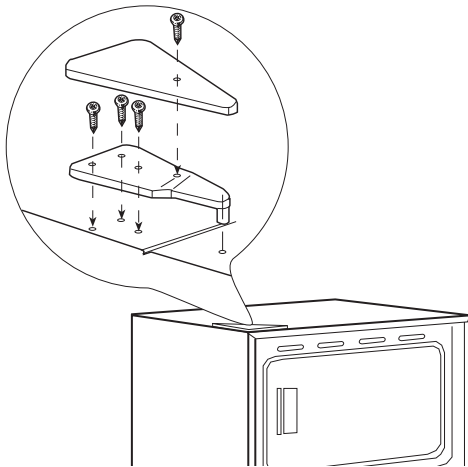


fig. # 4

3. Install refrigerator door: make the left bottom hole of the refrigerator compartment door fall over the lower hinge axle, move back and forward the door to make it straight and in alignment with top hinge. Install the top hinge again, turn the hinge axle until it completely enters the door body, then fix it with screws.
4. Replace the hinge cover as shown in Fig. 4.

## Reversing the Door Handles

**Refrigerator:** (see fig. # 5)

1. Remove screw cover from the handle.
2. Using a phillips head screwdriver, remove both screws from the side of the refrigerator door that holds the handle.
3. Install the handle on the opposite side.
4. Remove screw plugs.
5. Install the screws and screw covers to their corresponding position.

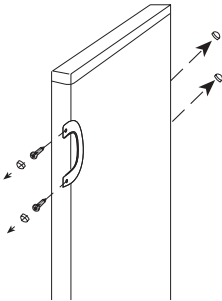


fig. # 5

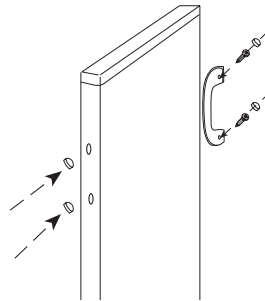
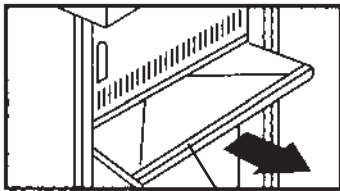


fig. # 5a

**Reversing Freezer Door:** (see fig. # 6)

1. Remove the water-collecting tray.
2. Using a narrow blunt object (e.g. Phillips head screwdriver) press the hinge axle on the bottom of the hinged side of the freezer door.
3. This will remove the freezer door off its hinges
4. Turn the door around and install hinge on the opposite side.
5. Once the freezer door is installed insert the water-collecting tray.



water collection  
tray

fig. # 6

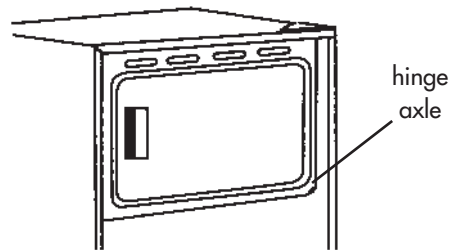


fig. # 6a

# Refrigerator Features And Use

## General Features

### Adjustable temperature dial:

Your refrigerator will automatically maintain the temperature level you select. The temperature control dial has 7 settings plus off. 1 is the warmest. 7 is the coldest. Turning the dial to OFF stops cooling in both the refrigeration and freezer sections. At first, set the dial to 4 and allow 24 hours to pass before adjusting the temperature to your needs.

(Note: If the refrigerator has been placed in a horizontal or tilted position for any period of time wait 24 hours before plugging the unit in.)

### Refrigerator Section Interior Light:

Your refrigerator is equipped with an automatic interior light in the fresh food section for you to easily locate your food.

## Refrigerator Interior Shelves

The refrigerator shelves of your refrigerator were designed with you in mind. Their varied adjustability allows you to satisfy your personal storage needs. Only your model purchase and your imagination limit the possibilities.

### To remove or adjust a full-width slide-out shelf: (see fig. # 7)

1. Gently tilt the shelf up and slide forward until the shelf has been completely removed.
2. To replace the shelf, select the desired setting and gently slide the shelf back until it rests in the locking position.

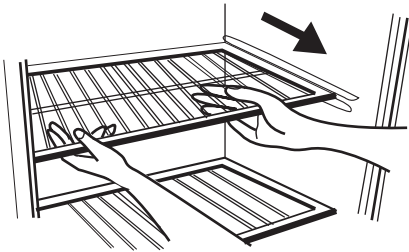


fig. # 7

## Crisper and Crisper Cover

**To remove and install the crisper:** (see fig. # 8)

1. Grip the crisper firmly and slide out completely.
2. Replace the crisper by placing the crisper properly and gently sliding it back into place.

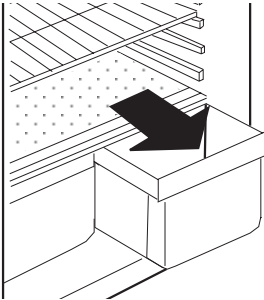


fig. # 8

**To remove the crisper cover:** (see fig. # 9)

1. First remove both crispers
2. Carefully grasp the crisper cover and slide out to remove.

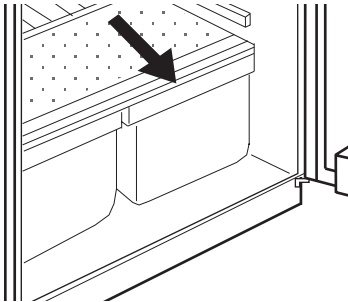


fig. # 9

**To replace the crisper cover:**

1. Insert the rear of the crisper cover into the support bracket on the side walls of the refrigerator.
2. Slide the crisper cover into place.
3. Replace the crispers as previously instructed.

## Refrigerator Door Shelves

**To remove refrigerator door shelves:** (see fig. # 10)

1. Remove all items stored on the shelf.
2. Gently push up each side until the shelf is clear of the door shelf brackets and then remove.

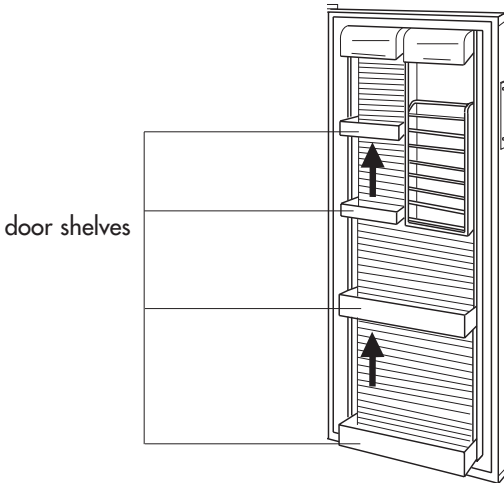


fig. # 10

**To replace refrigerator door shelves:** (see fig. # 10)

1. Align the ends of the shelves with the door shelf brackets.
2. Carefully push down on each end of the door shelf until it is locked in place in the refrigerator door brackets.

### To adjust the door shelf bottle huggers: (see fig #11)

1. Grasp the hugger firmly and slide right or left until it is snug against the items stored on the shelf.

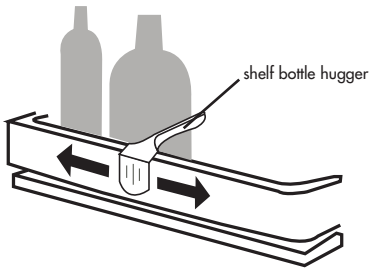


fig. # 11

## Defrosting Your Refrigerator

- For maximum energy efficiency, defrost freezer section whenever frost accumulates to a thickness of 1/4" or more on freezer walls. Note that frost tends to accumulate more during the summer months.
- To defrost freezer, remove food from the freezer section and push the defrost button which is located in the center of the temperature knob. This button deactivates the compressor and allows the ice to melt. Compressor will automatically turn back on after defrost cycle is complete.
- During the defrost cycle, water will accumulate in the water collecting tray. Drain the water into a bowl by removing the drain plug that is located on the bottom of the water-collecting tray. (see Fig. 12) You may find it easier to pull out the water-collecting tray from the refrigerator and remove the plug before you start the defrosting process. (see Fig. 13)

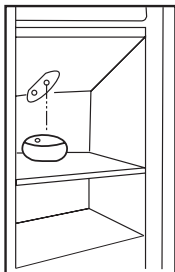


fig. # 12

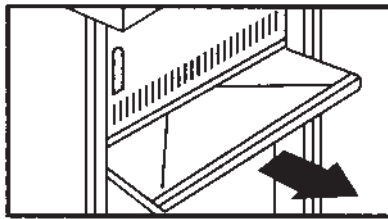


fig. # 13

## Food Storage Information

### Fresh Food

- When storing fresh food, which is not prepackaged, be sure to wrap or store food in airtight and moisture proof material unless otherwise noted. This will ensure proper shelf life and prevent the transfer of odors and tastes.
- Wipe containers before storing to avoid needless spills.
- Eggs should be stored in an upright position in their original carton to maximize shelf life.
- Fruit should be washed and dried then stored in a crisper set for low humidity. If you do not have humidity controlled crispers place the items in sealed plastic bags before storing in the crisper.
- Vegetables with skins should be stored in plastic bags or containers and stored in crisper with low humidity setting.
- Leafy vegetables should be washed and drained and then stored in plastic bags or containers in crisper with high humidity setting.
- Hot food should be allowed to cool before storing in the refrigeration. This will prevent unnecessary energy use.
- Fresh seafood should be used the same day as purchased.
- When storing meats in the fresh food section, keep in the original packaging or rewrap as necessary. Follow the suggestions below for safe storage:
 

• Chicken	1-2 Days
• Ground Beef	1-2 Days
• Cold Cuts	3-5 Days
• Steaks/Roasts	3-5 Days
• Smoked/Cured Meats	7-10 Days
• All others	1-2 Days

If longer periods of storage are required, store immediately in the freezer section.



## Frozen Food

- Proper freezer storage requires correct packaging. All foods must be in packages, which do not allow the flow of air or moisture in, or out. Improper storage will result in odor and taste transfer and will result in the drying out of the improperly packaged food.
- Follow package or container instructions for proper storage.
- **Packaging Recommendations:**
  - Plastic containers with air tight lids
  - Heavy duty aluminum foil
  - Plastic wrap made from saran film
  - Self-sealing plastic bags
- Do not refreeze defrosted/thawed foods.
- It is recommended that the freezing date be marked on the packaging.

## Normal Operating Sounds You May Hear

- The fan circulating air inside the interior of your unit to maintain the temperature you have selected.
- Boiling water, gurgling sounds or slight vibrations that are the result of the refrigerant circulating through the cooling coils.
- Sizzling or popping sounds resulting from frost melting during the defrost cycle and dripping on the defrost heater.
- The sound of dripping water as ice melts from the evaporator and flows into the drip pan during the defrost cycle.
- Cracking or popping sound caused by the expansion and/or contraction of the cooling coils during the defrost cycle.
- The thermostat control will click when it cycles on and off.

# Proper Refrigerator Care and Cleaning

## Cleaning and Maintenance

**Warning:** To avoid electric shock always unplug your refrigerator before cleaning. Ignoring this warning may result in death or injury.

**Caution:** Before using cleaning products, always read and follow manufacturer's instructions and warnings to avoid personal injury or product damage.

**General:**

- Prepare a cleaning solution of 3-4 tablespoons of baking soda mixed with warm water. Use sponge or soft cloth, dampened with the cleaning solution, to wipe down your refrigerator.
- Rinse with clean warm water and dry with a soft cloth.
- Do not use harsh chemicals, abrasives, ammonia, chlorine bleach, concentrated detergents, solvents or metal scouring pads. SOME of these chemicals may dissolve, damage and/or discolor your refrigerator.

**Door Gaskets:**

- Clean door gaskets every three months according to general instructions. Gaskets must be kept clean and pliable to assure a proper seal.
- Petroleum jelly applied lightly on the hinge side of gaskets will keep the gasket pliable and assure a good seal.

## Light Bulb Replacement

1. Switch off power to refrigerator.
2. Allow light bulb to cool before removing.
3. Remove bulb by screwing it out counter-clockwise.
- 4 Always replace with appliance type light bulb rated at 40 watts or lesser wattage.
5. Do not exceed the 40 watts rating at any time.

## Power Interruptions

- Occasionally there may be power interruptions due to thunderstorms or other causes. Remove the power cord from AC outlet when a power outage occurs. When power has been restored, replug power cord to AC outlet. If outage is for a prolonged period, inspect and discard spoiled or thawed food in freezer and refrigerator. Clean refrigerator before reusing.

## Vacation and Moving Care

- For long vacations or absences, empty food from refrigerator and freezer, move the temperature DIAL to the OFF position and clean the refrigerator and door gaskets according to "General cleaning" section. Prop doors open, so air can circulate inside. When moving always move the refrigerator vertically. Do not move with the unit lying down. Possible damage to the sealed system could occur.

# TroubleShooting

## Refrigerator Does Not Operate

- Check thermostat control is not in the "OFF" position.
- Check refrigerator is plugged in.
- Check there is power at the ac outlet, by checking the circuit breaker.
- Wait for 30-40 minutes to see whether refrigerator will start. It may be in "defrost" mode and must complete this cycle before Compressor starts to operate.

## Food temperature appears too warm

- Frequent door openings.
- Allow time for recently added warm food to reach fresh food or freezer temperature.
- Check gaskets for proper seal.
- Clean condenser coils (for models with exposed condenser coils).
- Adjust temperature control to colder setting.
- Check freezer compartment for air duct blockage from frozen food packages.

## Food temperature is too cold

- If temperature control setting is too cold, adjust to a warmer setting and allow several hours for temperature to adjust.

## Refrigerator runs too frequently

- This may be normal to maintain constant temperature during high temperature and humid days.
- Doors may have been opened frequently or for an extended period of time.
- Clean condenser coils.
- Check gasket for proper seal.
- Check to see if doors are completely closed.

**Moisture build up on interior or exterior of the refrigerator:**

- This is normal during high humidity periods.
- Prolonged or frequent door openings.
- Check door gaskets for proper seal.

**Refrigerator has an odor:**

- Interior needs cleaning.
- Foods improperly wrapped or sealed are giving off odors.

**Refrigerator light does not work:**

- Check power supply.
- Tighten bulb in socket.
- Replace burned out bulb.

**Refrigerator door does not shut properly:**

- Level the refrigerator.
- Re-align refrigerator door.
- Check for blockages e.g. food containers, crisper cover, shelves, bins etc.

# Limited Warranty

## What is covered and for how long?

This warranty covers all defects in workmanship or materials for a period of:

**12 months labor**

**12 months parts**

**5 years sealed system**

The warranty commences on the date the item was purchased and the original purchase receipt must be presented to the authorized service center before warranty repairs are rendered.

## EXCEPTIONS: Commercial or Rental Use warranty

**90 days labor (carry-in only)**

**90 days parts**

**No other warranty applies**

## What is covered.

1. The mechanical and electrical parts, which serve as a functional, purpose of this appliance for a period of 12 months. This includes all parts except finish, and trim.
2. The components of the sealed system e.g. hermetic compressor, condenser and evaporator from manufacturing defects for a period of 5 years from the date of purchase. Any damages to such components caused by mechanical abuse or improper handling or shipping will not be covered.

## What will be done?

1. We will repair or replace, at our discretion any mechanical or electrical part which proves to be defective in normal usage during the warranty period so specified.
2. There will be no charge to the purchaser for parts and labor on any covered items during the initial 12 month period. Beyond this period

only parts are covered in the remaining warranty. Labor is not provided and must be paid by the customer.

3. Contact your nearest authorized service center. For the name of the nearest service center please call 1-877-337-3639

## THIS WARRANTY COVERS APPLIANCES WITHIN THE CONTINENTAL UNITED STATES, PUERTO RICO AND CANADA. IT DOES NOT COVER THE FOLLOWING:

- Damages from improper installation.
- Damages in shipping.
- Defects other than manufacturing.
- Damage from misuse, abuse, accident, alteration, lack of proper care and maintenance or incorrect current or voltage.
- Damage from other than household use.
- Damage from service by other than an authorized dealer or service center.
- Decorative trims or replaceable light bulbs.
- Transportation and shipping.
- Labor (after the initial 12 months).

THIS LIMITED WARRANTY IS GIVEN IN LIEU OF ALL OTHER WARRANTIES, EXPRESSED OR, INCLUDING THE WARRANTIES OF MERCHANTABILITY AND FITNESS FOR A PARTICULAR PURPOSE

The remedy provided in this warranty is exclusive and is granted in lieu of all other remedies.

This warranty does not cover incidental or consequential damages, so the above limitations may not apply to you. Some States do not allow limitations on how long an implied warranty lasts, so the above limitations may not apply to you.

This warranty gives you specific legal rights, and you may have other rights, which vary, from state to state.

Haier America  
New York, NY, NY10018.

# MESURES DE SECURITE

**Lire l'ensemble des instructions avant d'utiliser l'appareil. Lors de l'utilisation de cet appareil, prendre toutes les mesures de sécurité de base, y compris les suivantes:**

- 1) N'utiliser cet appareil que pour l'usage pour lequel il est prévu, tel qu'il est indiqué dans le guide d'utilisation et d'entretien.
- 2) Ce réfrigérateur doit être correctement installé conformément aux instructions d'installation avant d'être utilisé. Consulter les instructions de mise à la terre du chapitre Installation.
- 3) Ne jamais tirer sur le cordon d'alimentation pour débrancher le réfrigérateur. Toujours saisir fermement la fiche et la retirer complètement de la prise.
- 4) Réparer ou remplacer immédiatement tout cordon électrique effiloché ou endommagé d'une quelconque manière. Ne pas utiliser un cordon fissuré, abrasé ou dont la prise ou le connecteur est endommagé.
- 5) Débrancher le réfrigérateur avant de le nettoyer ou d'effectuer des réparations. **Remarque:** Si ce produit doit faire l'objet d'une maintenance pour quelque raison que ce soit, il est vivement recommandé de confier cette tâche à un technicien agréé.
- 6) Ne pas utiliser d'appareils électriques ou d'objets pointus pour dégivrer le réfrigérateur.
- 7) Si vous n'avez plus l'usage de votre ancien réfrigérateur, nous vous conseillons d'en retirer les portes. Ceci permet d'éviter tout danger potentiel pour les enfants.
- 8) Une fois le réfrigérateur en fonctionnement, ne pas toucher les surfaces froides du compartiment de congélation, en particulier avec des mains mouillées ou humides. La peau risquerait d'adhérer à ces surfaces extrêmement froides.
- 9) Ne pas recongeler les aliments qui ont été complètement décongelés. Le bulletin Maisons et Jardins du Ministère de l'Agriculture des États-Unis n° 69 stipule que: « ...Les aliments congelés peuvent être recongelés en toute sécurité s'ils contiennent toujours des cristaux de glace ou si leur température reste inférieure à 4,5°C".

« ...Les viandes hachées, la volaille et le poisson présentant une odeur désagréable ou une couleur suspecte ne doivent ni être recongelés, ni être consommés. La crème glacée dégelée doit être jetée. Tout aliment présentant une odeur ou couleur douteuse doit être jeté. L'ingestion d'un aliment de ce type peut s'avérer dangereuse. »



« ...La décongélation ou la recongélation, même partielle, fait diminuer les qualités gustatives des aliments, en particulier des fruits, légumes et plats préparés. La qualité gustative des viandes rouges est affectée à un bien moindre degré que celle de nombreux autres aliments. Utiliser les aliments recongelés dès que possible, afin de conserver la majeure partie de leurs qualités gustatives. »

- 10) Ce réfrigérateur ne doit être ni encastré, ni enclos dans un placard. Il a été conçu pour être installé tel qu'il se présente.
- 11) Ne pas faire marcher le congélateur en présence de fumées pouvant entraîner une explosion.

Aux fins de toute consultation ultérieure,  
**VEUILLEZ CONSERVER CES  
INSTRUCTIONS**

## **DANGER**

**Les enfants pourraient se retrouver coincés dans votre réfrigérateur ou congélateur usagé avant que vous ne puissiez vous en débarrasser. Retirer les portes. Laisser les étagères en place de manière à ce que les enfants ne puissent pas grimper facilement à l'intérieur".**

**Conseils de I,UL 250 11.2.6**

Nous vous remercions d'avoir choisi ce produit Haier. Ce guide d'utilisation facile d'emploi permet une utilisation optimum du réfrigérateur. Ne pas oublier de prendre note du numéro de modèle et de série. Ils sont inscrits sur une plaquette apposée sur l'arrière du réfrigérateur.

---

*Numéro de modèle*

---

*Numéro de série*

---

*Date d'achat*

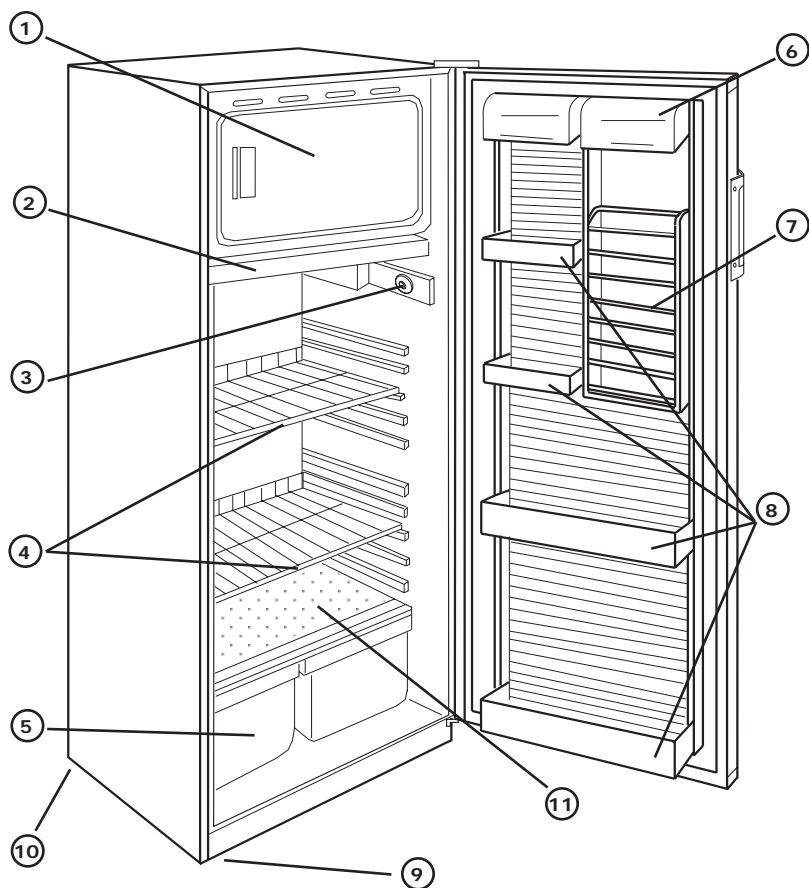
Agrafer le ticket de caisse au guide. **Il devra être présenté pour tout service après-vente sous garantie.**

# Table des Matières

## PAGE

<b>Mesures de sécurité.....</b>	<b>1</b>
<b>Pièces et Caractéristiques de l'Appareil.....</b>	<b>5</b>
<b>Installation du Réfrigérateur .....</b>	<b>6</b>
Déballage du Réfrigérateur.....	6
Réglage du Réfrigérateur.....	6
Circulation d'Air Adéquate.....	6
Caractéristiques Electriques.....	7
Installation de la Poignée de Porte.....	8
Alignement de la Porte.....	8
Inverser l'ouverture de la Porte.....	9
Inverser les Poignées de Porte.....	11
Inverser l'ouverture de la Porte du Congélateur.....	11
<b>Caractéristiques et Utilisation du Réfrigérateur.....</b>	<b>12</b>
Caractéristiques Générales.....	12
Etagères Intérieures du Réfrigérateur.....	12
Bac à Légumes et Couvercle du Bac.....	13
Etagères de la Porte du Réfrigérateur.....	14
Dégivrage.....	15
Informations concernant le Stockage des Aliments.....	16
Témoins Habituels de Bon Fonctionnement.....	18
<b>Entretien et Nettoyage Adéquats du Réfrigérateur.....</b>	<b>19</b>
Nettoyage et Entretien.....	19
Changement d'Ampoule .....	20
Pannes d'Alimentation.....	20
Vacances et Déménagement.....	20
<b>Dépannage.....</b>	<b>21</b>
<b>Informations concernant la Garantie.....</b>	<b>23</b>

# Pièces et Caractéristiques de l'Appareil



- |  |  |
|--|--|
| 1. Compartiment de Congélation                         | 7. Distributeur « Dispense-A-Can »             |
| 2. Plateau de Recueillement de l'Eau                   | 8. Etagères de Rangement de la Porte           |
| 3. Programmeur du Thermostat                           | 9. Deux Pieds de Mise à Niveau (non illustrés) |
| 4. Etagères en câble métallique                        | 10. Deux Roulettes (non illustrées)            |
| 5. Bacs à Légumes                                      | 11. Couvercle en Plastique du Bac              |
| 6. Stockage des Oeufs/Compartiment à Produits Laitiers |  |

**REMARQUE:** L'ensemble de ces caractéristiques sont présentes sur certains modèles uniquement

# Installation du Réfrigérateur

## Désemballage du Réfrigérateur

1. Retirer l'ensemble du matériel d'emballage. Ceci comprend la base en mousse ainsi que l'ensemble du matériel adhésif qui maintient les accessoires du réfrigérateur à l'intérieur tout comme à l'extérieur. Faire glisser et retirer la protection plastique ou en mousse servant à préserver le compresseur de tout dommage causé par les vibrations
2. Inspecter et enlever tout restant d'emballage, de scotch ou de matériaux imprimés avant de brancher le réfrigérateur.

## Réglage du Réfrigérateur

### Mise à Niveau du Réfrigérateur

- Le réfrigérateur possède deux pieds de mise à niveau qui sont situés sur les coins avant du réfrigérateur. Après avoir convenablement installé le réfrigérateur à la place qu'il occupera, procéder à la mise à niveau.
- Pour régler les pieds de mise à niveau, les tourner dans le sens des aiguilles d'une montre afin de surélever le réfrigérateur et dans le sens inverse des aiguilles d'une montre pour l'abaisser. La porte du réfrigérateur se ferme plus facilement lorsque les pieds de mise à niveau sont surélevés.

## Circulation d'Air Adéquate

- Pour être sûr que le réfrigérateur fonctionne à son maximum d'efficacité, l'installer dans un environnement favorable à une bonne circulation d'air et possédant des connexions de plomberie et d'électricité saines.
- Les indications suivantes concernent l'espace recommandé autour du réfrigérateur:
 

Latéralement.....	19mm (3/4")
Partie supérieure.....	50mm (2")
Arrière.....	50 mm (2")

## Caractéristiques Electriques

- Pour l'alimentation du réfrigérateur, veiller à utiliser une prise de courant convenable (prise de 115 volts, 15 amp) raccordée à la terre
- Eviter d'utiliser des adaptateurs à trois fiches ou de sectionner la troisième fiche reliée à la terre dans le but d'utiliser un branchement à deux fiches. Cette pratique pourrait s'avérer dangereuse dans la mesure où le réfrigérateur n'est pas relié convenablement à la terre, et risquerait de causer des risques d'électrocution.

## L'usage de Rallonges

- Eviter l'usage d'une rallonge à cause des dangers de sûreté potentiels sous les certaines conditions. S'il est nécessaire utiliser une rallonge, utilise seulement un à 3 fils qui a un 3-mètre à terre et un 3-slot qui acceptera le bouchon. L'évaluer marqué de la rallonge doit être égal à ou plus grand que l'évaluer électrique de l'appareil.

## Limitations relatives à l'Installation

- Ne pas installer le réfrigérateur dans un endroit qui n'est pas convenablement isolé ou chauffé ; comme par exemple un garage, etc. Le réfrigérateur n'est pas conçu pour fonctionner à des températures inférieures à 12°C.
- Choisir un endroit convenable et placer le réfrigérateur sur une surface solide et plane, loin de sources de chaleur telles que: les radiateurs, les éléments chauffants à plinthes, les cuisinières, etc. Toute irrégularité au sol doit être corrigée à l'aide des pieds de mise à niveau situés sur les coins avant de la partie inférieure du réfrigérateur.

## Installation de la Poignée de Porte

### Installation de la poignée du réfrigérateur:

1. Retirer la poignée de porte, les vis et protections des vis des accessoires du réfrigérateur.
2. Aligner la partie supérieure de la poignée de porte à l'aide du trou de vis situé sur le rebord supérieur de la porte du réfrigérateur, puis la fixer à l'aide d'une vis.
3. Aligner les trous de vis situés sur la partie inférieure de la poignée de porte avec les trous se trouvant dans la porte du réfrigérateur, puis la fixer à l'aide d'une vis, qui doit ensuite être recouverte d'une protection.

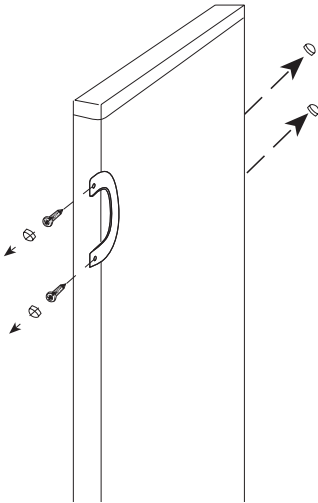


fig. # 1

### Alignement de la Porte (Voir fig. # 2)

1. Retirer la vis de protection de la charnière.
2. Retirer ensuite la protection de la charnière supérieure.
3. Desserrer les vis de la charnière supérieure à l'aide d'un tournevis cruciforme.
4. Régler la porte ou placer une cale puis serrer les vis.
5. Replacer la protection de la charnière supérieure.

## Inverser l'ouverture de la Porte

### Méthode d'ouverture de la Porte sur la gauche ou la droite:

Ce produit permet de faire passer l'ouverture de la porte de la gauche vers la droite. Vous pouvez choisir le côté d'ouverture de la porte en suivant la procédure d'inversion.

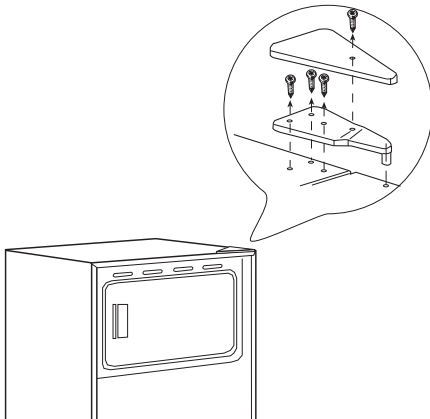


fig. # 2

### Désassemblage: (Voir fig. # 2)

1. Fixer la porte du réfrigérateur et du congélateur à l'aide de papier adhésif encollé des deux côtés afin de maintenir la porte en place.
2. Comme il est décrit au schéma 2, désassembler la couverture de la boîte à charnières située sur la partie supérieure de la porte du congélateur à l'aide d'un tournevis cruciforme. Retirer ensuite les vis de la charnière. Retirer la charnière en la tirant à la verticale, puis la placer dans un endroit sûr.
3. Retirer le papier adhésif de la porte du réfrigérateur, soulever puis retirer la porte; la poser avec précaution.



**Réinstallation:** (Voir fig. # 3 et # 4)

1. En fonction du schéma 3, désassembler la charnière inférieure et le coussinet en plastique situés sur la droite, puis les installer du côté gauche.

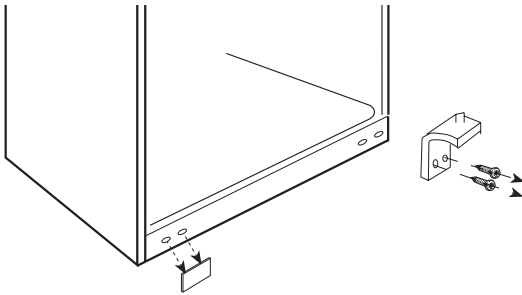


fig. # 3

2. En fonction du schéma 4, installer la charnière centrale et le coussinet sur le côté gauche.

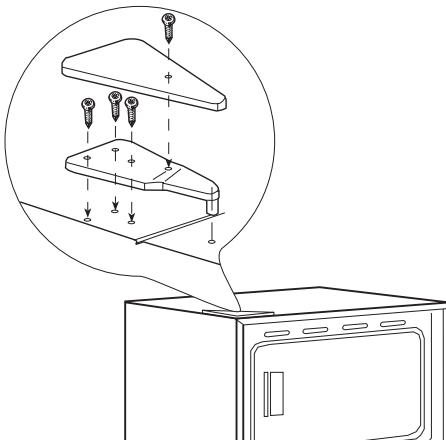


fig. # 4

3. Installer la poignée du réfrigérateur: faire en sorte que le trou de gauche situé sur la partie inférieure de la porte du compartiment de réfrigération se retrouve sur l'essieu de la charnière inférieure; faire bouger la porte de l'arrière vers l'avant de manière à ce qu'elle soit droite et alignée sur la charnière supérieure. Installer à nouveau la charnière centrale puis tourner l'essieu de la charnière jusqu'à ce qu'il entre complètement dans la porte; le fixer ensuite à l'aide de vis.
4. Remettre la protection de la charnière à sa place en fonction du schéma 4.

## Inverser les Poignées de Porte

### Réfrigérateur: (Voir fig. # 5)

1. Retirer la protection des vis de la poignée.
2. A l'aide d'un tournevis cruciforme, retirer les deux vis situées sur la partie latérale de la porte du réfrigérateur qui sert à maintenir la poignée.
3. Installer la poignée du côté opposé.
4. Retirer les tampons à vis.
5. Placer les vis et leur protection à l'endroit qui convient.

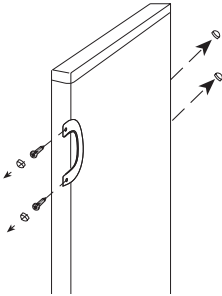


fig. # 5

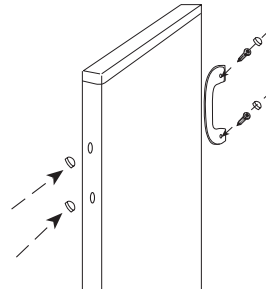
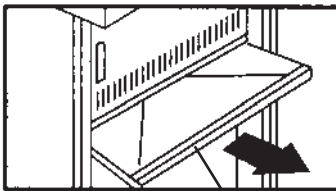


fig. # 5a

### Inverser l'ouverture de la Porte du Congélateur:

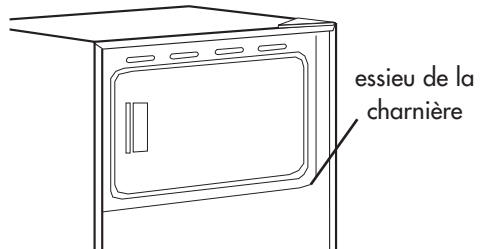
(Voir fig. # 6)

1. Retirer le plateau de recueillement de l'eau.
2. A l'aide d'un objet étroit et coupant (par ex, un tournevis cruciforme), appuyer sur l'essieu de la charnière situé sur la partie inférieure du côté de la porte du congélateur comportant les charnières.
3. Ceci permet de retirer la porte du congélateur de ses gonds.
4. Retourner la porte et installer la charnière du côté opposé.
5. Une fois que la porte du congélateur est installée, insérer le plateau de recueillement de l'eau.



plateau de  
recueillement  
de l'eau

fig. # 6



essieu de la  
charnière

fig. # 6a

# Caractéristiques et Utilisation du Réfrigérateur

## Caractéristiques Générales

### Cadran de température réglable:

Le réfrigérateur maintient automatiquement le niveau de température programmé. Le cadran de contrôle de la température comporte 7 positions plus la position d'arrêt. La position '1' est la plus chaude. La position '7' est la plus froide. Lorsque l'on tourne le cadran sur la position 'OFF' (arrêt), le réfrigérateur et le congélateur ne refroidissent plus. Au départ, mettre le cadran sur la

position '4' puis attendre 24 heures avant de régler la température sur la position de votre choix.

**(Remarque: Si le réfrigérateur a été placé à l'horizontale pendant une période de temps quelconque, attendre 24 heures avant de le brancher).**

### Lumière Intérieure du Compartment Réfrigérant:

Le réfrigérateur est équipé d'une lumière intérieure automatique située au niveau des aliments frais, de manière à pouvoir facilement repérer le contenu du réfrigérateur.

## Etagères Intérieures du Réfrigérateur

Les étagères du réfrigérateur ont été conçues pour vous faciliter la vie. Elles sont réglables afin de s'adapter à vos besoins. Les possibilités ne sont limitées que par le type de modèle en votre possession et l'étendue de votre imagination.

### Pour retirer ou régler une étagère de 'largeur intégrale' coulissante: (Voir fig. # 7)

1. Incliner légèrement l'étagère vers le haut puis la faire glisser vers l'avant jusqu'à ce que l'étagère soit complètement retirée.
2. Pour replacer l'étagère, sélectionner la position souhaitée puis la faire glisser avec précaution jusqu'à ce qu'elle se trouve enclenchée.

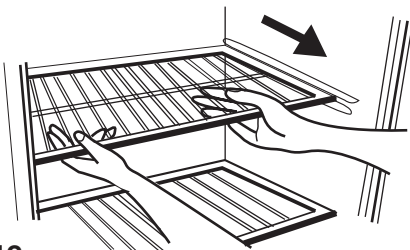


fig. # 7

## Bac à Légumes et Couvercle du Bac

### Pour retirer et installer le bac à légumes:

(Voir fig. # 8)

1. Agripper fermement le bac puis le retirer complètement en le faisant glisser.
2. Replacer le bac comme il convient, puis le faire glisser vers l'arrière avec précaution.

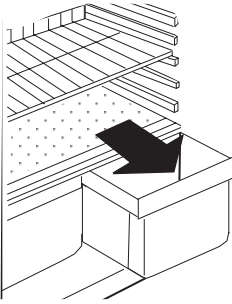


fig. # 8

### Pour retirer le couvercle du bac: (Voir fig. # 9)

1. Commencer par retirer les deux bacs
2. Agripper le bac avec précaution et le sortir en le faisant glisser.

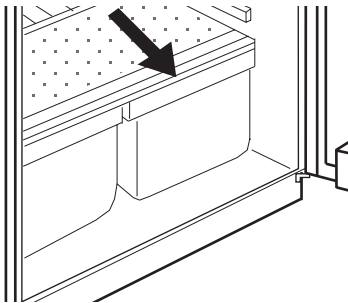


fig. # 9

### Pour remplacer le couvercle du bac:

1. Insérer la partie arrière du compartiment couvert du bac dans le support situé sur la partie latérale du réfrigérateur.
2. Faire glisser le couvercle du bac jusqu'à ce qu'il se trouve en place.
3. Remettre les bacs à leur place en fonction des instructions données précédemment.

## Étagères de la Porte du Réfrigérateur

### Pour retirer les étagères de la porte du réfrigérateur:

(Voir fig. #10)

1. Retirer l'ensemble des articles stockés sur l'étagère.
2. Pousser chaque côté vers le haut avec précaution jusqu'à ce que l'étagère soit séparée de la porte de l'étagère.

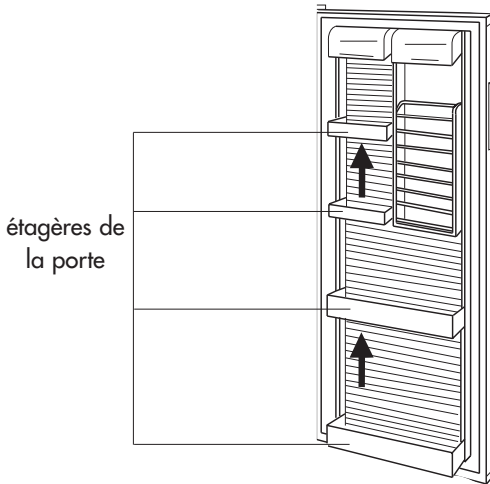


fig. # 10

### Pour retirer les étagères de la portière du réfrigérateur:

(Voir fig. #10)

1. Aligner les extrémités des étagères sur les supports de l'étagère de la porte.
2. Abaisser chaque côté de l'étagère de la porte avec précaution, jusqu'à ce qu'elle se trouve bien en place à l'intérieur des supports de la porte du réfrigérateur.

### Pour régler les tablettes de sécurité de l'étagère à bouteilles de la porte: (Voir fig. #11)

1. Agripper fermement la tablette et la faire glisser sur la droite ou la gauche jusqu'à ce qu'elle repose contre les articles entreposés sur l'étagère.

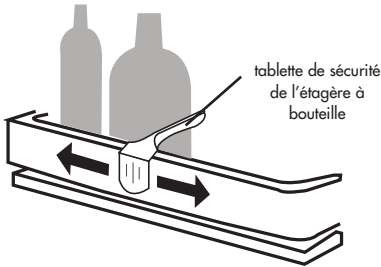


fig. # 11

## Dégivrage du Réfrigérateur

- Pour des économies d'énergie optimum, faire dégivrer le compartiment de congélation à chaque fois que du givre s'accumule sur les parois du congélateur en couche de 0,63mm ou plus. Il est bon de noter que le givre a tendance à s'accumuler plus rapidement pendant les mois d'été.
- Pour faire dégivrer le congélateur, retirer les aliments du compartiment de congélation puis enfoncer le bouton de dégivrage situé au centre du bouton de réglage de la température. Ce bouton désactive le compresseur et permet à la glace de fondre. Le Compresseur se remet automatiquement en marche à la fin du cycle de dégivrage.
- Durant le cycle de dégivrage, l'eau s'accumule dans le plateau de recueillement de l'eau. Egoutter l'eau dans un bol en retirant le bouchon de vidange situé sur la partie inférieure du plateau de recueillement de l'eau. (consulter le schéma n°12) Il est parfois plus simple de retirer le plateau de recueillement de l'eau au moment du dégivrage. (Voir fig. #13)

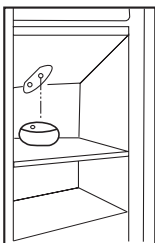


fig. # 12

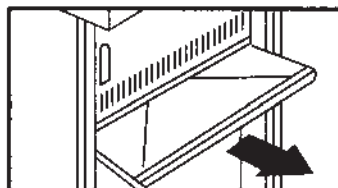


fig. # 13

## Informations Concernant le Stockage des Aliments

### Aliments Frais

- Pour stocker des aliments frais qui ne sont pas préemballés, veiller à bien les envelopper ou les stocker dans un matériel hermétique résistant à l'humidité, excepté dans le cas d'instructions contraires. Ceci permet de conserver les aliments correctement et d'éviter le transfert d'odeurs et de saveurs.
- Avant de stocker des aliments, essuyer les containers afin d'éviter des éclaboussures inutiles.
- Afin de prolonger au maximum la durée de vie des œufs, les stocker en position verticale dans leur emballage d'origine.
- Les fruits doivent être lavés et séchés puis stocker dans un bac à taux à taux d'humidité bas. Si vous ne possédez pas de contrôleur d'humidité, placer les aliments dans des sacs plastiques étanches avant de les stocker dans le bac.
- Les légumes à peau doivent être conservés dans des sacs plastiques ou des containers et stockés dans un bac à taux d'humidité bas.
- Les légumes à feuilles doivent être lavés et essuyer puis stocker dans des sacs plastiques ou des containers et placés dans un bac à taux d'humidité élevé.
- Les aliments chauds doivent d'abord refroidir avant d'être stockés dans le réfrigérateur. Ceci évite de gaspiller de l'énergie inutilement.
- Les fruits de mer frais doivent être utilisés le jour même de l'achat. Pour stocker de la viande dans le compartiment des articles frais, conserver l'emballage d'origine ou ré-emballer si nécessaire.  
Suivre les suggestions de stockage présentées ci-dessous.

• Poulet	1 à 2 Jours
• Viande de bœuf hachée	1 à 2 Jours
• Viandes froides	3 à 5 Jours
• Steaks/Rôtis	3 à 5 Jours
• Viandes Fumées/Traitées	7 à 10 Jours
• Autres viandes	1 à 2 Jours

Pour stocker des aliments pendant des périodes de temps plus importantes, les stocker immédiatement dans le compartiment de congélation.

## Aliments Congelés

- Le stockage correct des aliments congelés nécessite un emballage adéquat. Tous les aliments doivent être emballés de manière à ne pas laisser pénétrer d'air ou d'humidité. Le mauvais stockage d'aliments entraîne des transferts d'odeurs et de saveurs qui font sécher les aliments mal emballés.
- Suivre les instructions de bonne utilisation indiquées sur le paquet ou le container.
- **Recommandations concernant l'emballage:**
  - Containers en plastique avec couvercles étanches
  - Papier d'aluminium gros travaux
  - Film plastique
  - Sacs plastiques à fermeture étanche
- Ne pas recongeler d'aliments décongelés ou dégelés.
- Il est recommandé d'inscrire la date de congélation sur l'emballage.



## Témoins Habituels de Bon Fonctionnement qui Peuvent se Faire Entendre

- Le ventilateur faisant circuler l'air à l'intérieur de l'appareil afin de maintenir la température sélectionnée.
- De l'eau en train de bouillir, des glouglous ou de faibles vibrations proviennent du liquide réfrigérant qui circule à l'intérieur des collecteurs de refroidissement.
- Les grésillements ou bruits provenant de la glace qui fond pendant le cycle de dégivrage ainsi que les gouttes qui coulent sur le dégivreur.
- Le son de l'eau qui coule lorsque la glace fond de l'évaporateur et se répand dans le plateau de recueillement durant le cycle de dégivrage.
- Des grincements ou bruits causés par l'expansion et/ou la contraction des collecteurs de refroidissement durant le cycle de dégivrage.
- Un dé clic se fait entendre lorsque le programmeur de dégivrage et le thermostat s'allument et s'éteignent.

# Entretien e Nettoyage Adéquats du Réfrigérateur

## Nettoyage et Entretien

**Attention:** Pour éviter les risques d'électrocution; toujours débrancher le réfrigérateur avant de le nettoyer. Le non respect de cette mesure peut entraîner des blessures graves ou mortelles.

**Précautions:** Avant d'avoir recours à des produits d'entretien, toujours consulter et suivre les instructions du fabricant et recommandations afin d'éviter toute blessure éventuelle et risque de dégât de matériel.

### Généralités:

- Préparer une solution de nettoyage comportant 3 à 4 cuillerées à soupe de bicarbonate de soda mélangé à de l'eau chaude. A l'aide d'une éponge ou un tissu doux humectés de solution de nettoyage; essuyer le réfrigérateur.
- Rincer à l'eau chaude et sécher à l'aide d'un tissu doux.
- Ne pas utiliser de détergents chimiques, abrasifs, ou contenant de l'ammoniaque ou du chlore, ni de solvants ou de tampons à récurer en métal. CERTAINS de ces produits chimiques peuvent dissoudre, endommager et/ou décolorer le réfrigérateur.

### Joint de porte:

- Nettoyer les joints de porte tous les trois mois en suivant les instructions générales fournies. Les joints doivent rester propres et flexibles afin d'assurer une bonne étanchéité.
- Une fine couche de gelée de pétrole appliquée sur le côté des joints comportant les charnières permet de préserver la flexibilité de ces derniers et d'assurer une bonne étanchéité.

## Changement d'Ampoule

1. Débrancher l'alimentation du réfrigérateur.
2. Retirer l'étagère la plus haute.
3. Laisser l'ampoule refroidir avant de la retirer.
4. Retirer l'ampoule en la dévissant dans le sens inverse des aiguilles d'une montre.
5. Toujours remplacer à l'aide d'une ampoule pour appareil de 40 watts ou d'une puissance en watts inférieure.
6. Ne jamais dépasser 40 watts.

## Pannes d'Alimentation

- Des pannes d'alimentation occasionnelles peuvent survenir à cause d'une tempête ou de causes autres. Retirer le cordon d'alimentation de la prise CA pendant toute la durée de la coupure d'alimentation. Lorsque le courant électrique est rétabli, rebrancher le cordon dans la prise CA. Si la coupure d'alimentation se prolonge, vérifier et jeter les aliments avariés ou décongelés se trouvant dans le congélateur et le réfrigérateur. Nettoyer le réfrigérateur avant de le réutiliser.

## Vacances et Déménagement

- Pendant les périodes de vacances ou d'absence prolongée, vider le réfrigérateur et le congélateur, placer le CADRAN de température sur la position 'OFF' (arrêt) et nettoyer le réfrigérateur ainsi que les joints de porte en suivant les procédures du chapitre intitulé 'Nettoyage général'. Faire en sorte que la porte reste ouverte de manière à ce que l'air puisse circuler à l'intérieur. Toujours déplacer le réfrigérateur en position verticale. Ne pas déplacer l'appareil en position horizontale. Ceci pourrait endommager le système d'étanchéité.

# Dépannage

## **Le Réfrigérateur ne fonctionne pas:**

- Vérifier que le programmeur du thermostat ne se trouve pas sur la position 'OFF' (arrêt).
- Veiller à ce que le réfrigérateur soit bien branché.
- Veiller à ce que la prise de courant CA fonctionne bien en vérifiant le disjoncteur.
- Patienter 30 à 40 minutes pour voir si le réfrigérateur se met en route. Il est possible qu'il se trouve sur 'defrost' (dégivrage) et qu'il lui faille terminer ce cycle avant que le Compresseur puisse se mettre en marche.

## **La température des aliments semble être trop élevée:**

- La porte est ouverte trop fréquemment.
- Patienter le temps nécessaire pour que les aliments chauds récemment mis au frais refroidissent ou congèlent.
- Vérifier l'étanchéité des joints.
- Nettoyer les condenseurs (modèles comportant des condenseurs exposés).
- Régler le programmeur de température sur froid.
- Vérifier que le conduit d'air du compartiment de congélation ne soit pas bloqué par des aliments congelés.

## **La température des aliments est trop basse:**

- Si le programmeur de température est placé sur une position trop froide, le régler sur une position plus chaude et patienter plusieurs heures, jusqu'à ce que la température se soit ajustée.

## **Le réfrigérateur se met en marche trop fréquemment:**

- Il peut s'agir de l'activité normale pour maintenir une température constante lorsque la température extérieure ou le taux d'humidité dans l'air sont élevés.
- Les portes ont été ouvertes trop fréquemment ou pendant une période de temps prolongée.
- Nettoyer les condenseurs.
- Vérifier l'étanchéité des joints.
- Veiller à ce que les portes soient bien fermées.

**Accumulation d'humidité à l'intérieur ou à l'extérieur du réfrigérateur:**

- Ceci est normal pendant les périodes de grande chaleur humide.
- Ouvertures de la porte prolongée ou trop fréquente.
- Vérifier l'étanchéité des joints.

**L'intérieur du réfrigérateur dégage une odeur:**

- Nettoyer l'intérieur du réfrigérateur.
- Les aliments ne sont pas convenablement enveloppés ou les emballages dégagent une odeur.

**La lumière du réfrigérateur ne fonctionne pas:**

- Vérifier l'alimentation.
- Resserrer l'ampoule dans la douille.
- Remplacer l'ampoule grillée.

**La porte du réfrigérateur/congélateur ne ferme pas correctement:**

- Mettre le réfrigérateur à niveau.
- Réaligner la porte du réfrigérateur/congélateur.
- Vérifier qu'il n'y ait pas d'obstruction comme par exemple des containers ou les couvercles des bacs, les étagères, paniers, etc.

# Garantie Limitée

## Éléments sous garantie et durée de la garantie:

Cette garantie couvre tous les défauts de main-d'œuvre et de matériaux pour une période de:

**12 mois pour la main d'œuvre**

**12 mois pour les pièces**

**5 ans pour le système d'étanchéité**

La garantie prend effet le jour de l'achat de l'article. Le ticket de caisse d'origine doit être présenté au centre de réparation agréé pour toute réparation sous garantie.

**EXCEPTIONS: Garantie pour usage commercial ou location. 90 jours pour la main d'œuvre (service en atelier uniquement) 90 jours pour les pièces Aucune autre garantie n'est applicable**

### Couverture.

1. Les pièces électriques et mécaniques servant au fonctionnement de l'appareil, pour une période de 12 mois. Ceci comprend l'ensemble des pièces, à l'exception de la finition et des garnitures.
2. Les composants du système d'étanchéité, tels que le compresseur hermétique, le condenseur et l'évaporateur, contre tous défauts de fabrication, pour une période de 5 ans à compter de la date d'achat. Tout dommage concernant ces composants et résultant d'un abus d'ordre mécanique, d'une utilisation incorrecte, ou de méthodes d'expédition inadéquates, ne sera pas compris dans la garantie.

### Réparations qui seront effectuées:

1. Nous nous engageons à réparer ou remplacer, à notre discrétion, toute pièce électrique ou mécanique s'avérant défectueuse dans des conditions normales d'utilisation, au cours de la période de garantie spécifiée.
2. L'acheteur ne subira aucun frais pour les pièces et la main-d'œuvre couvertes par la garantie, au cours de la première période de 12 mois. Au-delà de cette période, seules les pièces seront couvertes par la durée

restante de la garantie. La main-d'œuvre n'est pas pourvue et est à la charge du client.

3. Contacter le centre de réparations agréé le plus proche. Pour obtenir le nom et adresse du centre le plus proche, appeler le 1-877-337-3639

## LES APPAREILS SONT COUVERTS PAR LA GARANTIE SUR LE TERRITOIRE CONTINENTAL DES ETATS-UNIS, Á PUERTO RICO ET AU CANADA:

Les dommages résultant d'une installation incorrecte. Les dommages survenus pendant le transport. Les défauts ne résultant pas de la fabrication. Les dommages résultant d'un usage incorrect ou abusif, d'un accident, de modifications, d'un manque d'entretien ou de maintenance, ou d'une tension incorrecte. Les dommages résultant d'un usage autre que l'usage ménager. Les dommages résultant d'un entretien ou de réparations par quiconque autre qu'un distributeur ou centre de réparations agréé. Garnitures décoratives ou ampoules pouvant être remplacées. Transport et Frais d'envoi. Main d'œuvre (après la période initiale de 12 mois)

CETTE GARANTIE LIMITÉE REMPLACE TOUTE AUTRE GARANTIE EXPRESSE OU IMPLICITE, Y COMPRIS LES GARANTIES DE VALEUR, MARCHANDE OU D'ADÉQUATION A UN USAGE PRECIS

Le recours offert dans cette garantie est exclusif et est accordé à l'exclusion de tout autre.

La garantie ne couvrant pas les dommages directs et indirects, les limitations ci-dessus peuvent ne pas s'appliquer à tous les cas. Certains états ne permettant pas la limitation de la durée des garanties implicites, les limitations ci-dessus peuvent ne pas s'appliquer à tous les cas.

Cette garantie confère à l'acheteur des droits spécifiques et celui-ci peut bénéficier d'autres droits qui varient selon les états.

Haier America  
New York, NY, NY10018.

# INSTRUCCIONES PRECAUTORIAS

***Lea todas las instrucciones antes de utilizar este aparato. Cuando utilice este aparato, siempre ejerza las precauciones de seguridad básicas, incluyendo las siguientes:***

- 1) Utilice este aparato exclusivamente para su uso especificado, según se describe en esta guía de uso y cuidados.
- 2) Este refrigerador debe ser instalado adecuadamente siguiendo las instrucciones de instalación antes de utilizarse. Observe las instrucciones para conectarlo a tierra en la sección de instalación.
- 3) Nunca desconecte su refrigerador tirando del cordón eléctrico. Sujete siempre la clavija firmemente y retírela del contacto evitando torcerla.
- 4) Repare o reemplace inmediatamente cualquier cordón eléctrico que muestre raspaduras o daños. No utilice ningún cordón que muestre señales de abrasión o grietas en su extensión, clavija o terminal de conexión.
- 5) Desconecte su congelador antes de limpiarlo o antes de hacer cualquier reparación. Nota: Si por alguna razón este producto necesita ser reparado, recomendamos fuertemente que la reparación se lleve a cabo por un técnico calificado.
- 6) No emplee ningún aparato eléctrico o instrumento punzocortante para descongelar su refrigerador.
- 7) Si su antiguo refrigerador no está siendo utilizado, recomendamos quitarle las puertas. Esto reducirá los riesgos de accidentes infantiles.
- 8) Una vez que su refrigerador se encuentre operando, no toque las superficies frías en el compartimento del congelador, especialmente si sus manos se encuentran húmedas o mojadas. Su piel puede adherirse a estas superficies extremadamente frías.

9) No congele alimentos que hayan sido previamente descongelados en su totalidad. El Departamento de Agricultura de los Estados Unidos, en su Boletín de Casa y Jardín No. 69 indica que: "...Usted puede volver a congelar, sin correr ningún riesgo, aquellos alimentos congelados que hayan sido descongelados y que aún contengan cristales de hielo o que aún se encuentren fríos con una temperatura por debajo de los 4,5°C (40°F)".

"...Carnes molidas, aves, o pescados descongelados que despidan olor extraño o muestren decoloración no deben volver a congelarse y no deben consumirse. El helado descongelado debe desecharse. Si el olor o color de cierto alimento es deficiente o cuestionable, deséchelo. Tal alimento podría resultar peligroso si lo ingiriese."

"...Incluso el descongelar parcialmente y volver a congelar los alimentos disminuye su calidad de consumo, especialmente si se trata de frutas, verduras y alimentos preparados. La calidad de consumo de las carnes rojas es menormente afectada en comparación a la de muchos otros alimentos. Utilice los alimentos que hayan vuelto a congelarse lo más pronto posible para evitar que sufran mayor deterioro en su calidad de consumo."

10) Este refrigerador no debe de ser empotrado o colocado dentro de un gabinete de cocina. Ha sido diseñado exclusivamente para ser instalado por separado.

11) No opere su congelador en la presencia de gases explosivos.



Por favor

# GUARDE ESTAS INSTRUCCIONES

para referencia futura.

## PELIGRO

**Existe el riesgo de que los niños puedan quedar atrapados dentro. Antes de tirar su refrigerador o congelador, quite las puertas. Deje los anaqueles en su lugar para que los niños no puedan entrar fácilmente en el interior."**

**De acuerdo a UL 250 11.2.6**

Gracias por utilizar nuestro producto Haier. Este sencillo manual le orientará con respecto al mejor uso que puede darle a su refrigerador.

Recuerde tomar nota del modelo y número de serie. Ambos se encuentran impresos en una etiqueta en la parte posterior del refrigerador.

---

*Número de Modelo*

---

*Número de Serie*

---

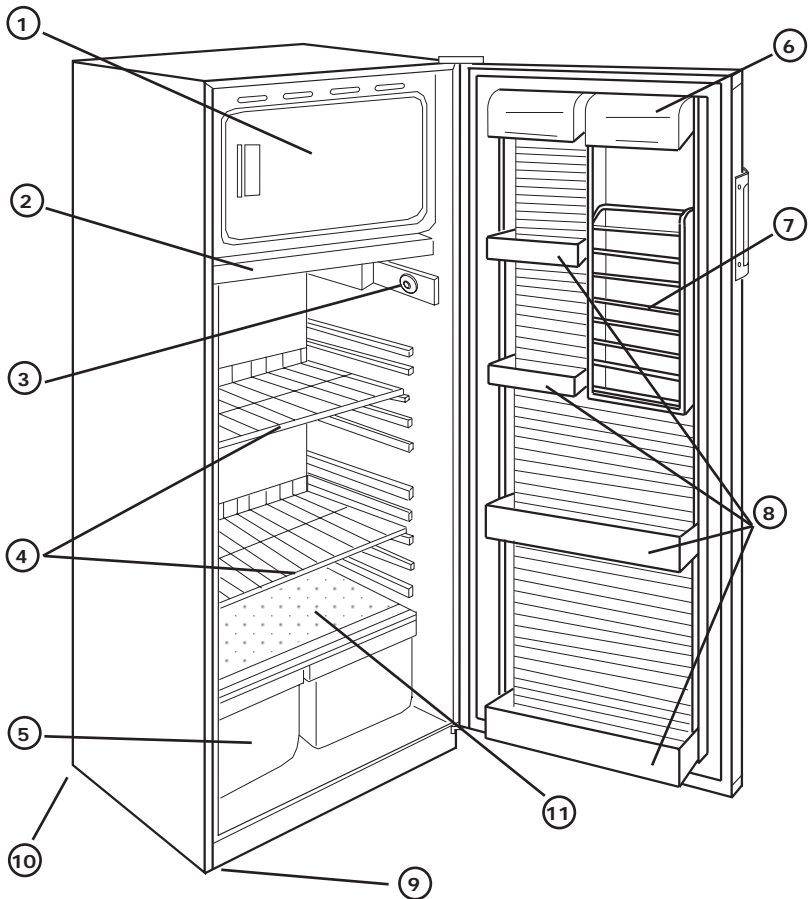
*Fecha de Compra*

Agrafer le ticket de caisse au guide. **Il devra être présenté pour tout service après-vente sous garantie.**

# Índice

	PAGINA
<b>Instrucciones Precautorias</b> .....	1
<b>Partes y Funciones</b> .....	5
<b>Instalación de su Refrigerador</b> .....	6
Desempaquetado de su Refrigerador.....	6
Ajustamiento de su Refrigerador.....	6
Circulación Adecuada del Aire.....	6
Requerimientos Eléctricos.....	7
Instalación de la Manija de la Puerta.....	8
Alineación de la Puerta.....	8
Cómo Invertir la Oscilación de la Puerta.....	9
Cómo Invertir las Manijas de la Puerta.....	11
Cómo Invertir la Puerta del Congelador.....	11
<b>Uso y Funciones del Refrigerador</b> .....	12
Funciones Generales.....	12
Entrepaños Interiores del Refrigerador.....	12
Cajón para Frutas y Verduras y Cubierta.....	13
Entrepaños en la Puerta del Refrigerador.....	14
Descongelación.....	15
Información sobre el Almacenamiento de Alimentos.....	16
Ruidos de Operación Normales.....	18
<b>Cuidados y Limpieza Adecuada del Refrigerador</b> .....	19
Limpieza y Mantenimiento.....	19
Reemplazo del Foco.....	20
Interrupciones de Energía.....	20
Vacaciones y Mudanza.....	20
<b>Verificación de Problemas</b> .....	21
<b>Información de la Garantía</b> .....	23

# Parts y Funciones



- |                                 |   |
|---------------------------------|---|
| 1. Compartimento del Congelador | 6. Compartimento para Huevos/Lácteos    |
| 2. Charola Recolectora de Agua  | 7. Dispensador de Latas                 |
| 3. Control del Termostato       | 8. Entrepañes de la Puerta              |
| 4. Entrepañes de Alambre        | 9. 2 Patas Niveladoras (no se muestran) |
| 5. Cajones para Vegetales       | 10. Dos Ruedas (no se muestran)         |
|                                 | 11. Cubierta Plástica del los Cajones   |

**NOTA:** No se incluyen todas las funciones en cada modelo.

# Instalación de Su Refrigerador

## Desempaquetado de Su Refrigerador

1. Retire todo el material de embalaje. Esto incluye la base de espuma y toda la cinta adhesiva que sostiene los accesorios del refrigerador en el interior y exterior. Deslice y saque la protección de plástico o espuma usada para proteger al compresor de daños durante el envío debido a la vibración y los golpes.
2. Inspeccione y retire cualesquier restos del embalaje, la cinta adhesiva o los materiales impresos antes de encender el refrigerador.

## Ajustamiento de Su Refrigerador

### Nivelación de Su Refrigerador:

- Su refrigerador tiene dos patas niveladoras que están ubicadas en las esquinas frontales de su refrigerador. Después de haber colocado su refrigerador en la posición definitiva, puede nivelar su refrigerador.
- Puede ajustar las patas niveladoras girándolas a la derecha para elevar el refrigerador y girándolas a la izquierda para bajarlo. La puerta del refrigerador cerrará con más facilidad cuando las patas niveladoras son elevadas.

## Circulación Adecuada del Aire

- Para asegurar que su refrigerador funcione con la eficiencia máxima para la que fue diseñado, éste debe ser instalado en un lugar donde haya una circulación de aire adecuada, conexiones eléctricas y de tubería.
- Estas son las distancias recomendadas que deben dejarse alrededor del refrigerador:
 

Lados.....	19 mm
Parte Superior.....	50 mm
Parte Posterior.....	50 mm

## Requerimientos Eléctricos

- Asegúrese de que haya un tomacorriente apropiado (115 V, 15 Amp.) con una conexión a tierra apropiada para hacer funcionar el refrigerador.
- Evite el uso de adaptadores de tres patas o el cortar la tercer pata de conexión a tierra para poder conectar en un tomacorriente bifásico. Esto sería una práctica muy peligrosa ya que no proveería al refrigerador con una conexión a tierra adecuada y podría resultar un riesgo de descarga eléctrica.

## El uso de Cuerdas de extensión

- Evite el uso de una cuerda de la extensión a causa de peligros potenciales de seguridad bajo ciertas condiciones. Si es necesario usar una cuerda de la extensión, use sólo una cuerda de 3 alambres de extensión que tiene un de 3 hojas molió tapón y una salida de 3-slot que aceptarán el tapón. La calificación marcada de la cuerda de la extensión debe ser igual a o más que la calificación eléctrica del aparato.

## Limitaciones de Instalación

- No instale su refrigerador en ningún lugar que no tenga el aislamiento o la calefacción apropiada, por ejemplo una cochera, etc. Su refrigerador no fue diseñado para funcionar en temperaturas abajo de los 12° Centígrados (55°F).
- Seleccione un lugar adecuado para el refrigerador sobre una superficie sólida y nivelada alejado de los rayos directos del sol o de una fuente de calor como la de los radiadores, rejillas de calefacción, estufas, etc. Cualquier desnivelación del piso debe ser corregido con las patas niveladoras ubicadas en las esquinas inferiores frontales del refrigerador.

## Instalación de la Manija de la Puerta

### Instalación de la manija de la puerta del refrigerador:

1. Saque la manija de la puerta, los tornillos y las cubiertas de los tornillos de la bolsa de accesorios del refrigerador.
2. Alinee la parte superior de la manija de la puerta con el orificio del tornillo del borde inferior de la puerta del refrigerador y fíjelo con los tornillos
3. Alinee el orificio del tornillo inferior de la manija de la puerta con el orificio en la puerta del refrigerador, fíjelo con un tornillo y cúbralo con una cubierta de tornillo.

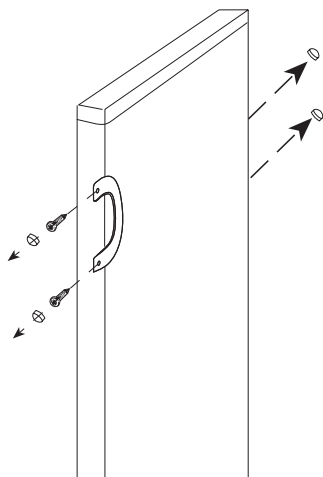


fig. # 1

### Alineación de la Puerta (Vea Fig. # 2)

1. Quite el tornillo de la cubierta de la bisagra.
2. Quite la cubierta de la bisagra superior.
3. Afloje los tornillos de la bisagra superior usando un destornillador de punta de cruz.
4. Ajuste la puerta o coloque un espaciador entremedio y luego vuelva a apretar los tornillos.
5. Vuelva a colocar la cubierta de la bisagra superior.

## Cómo Invertir la Oscilación de la Puerta

### Método de apertura de la puerta izquierda/derecha:

Este producto le ofrece la opción de invertir la apertura de la puerta izquierda/derecha. Puede seleccionar su preferencia de apertura de la puerta siguiendo el procedimiento para hacer el cambio.

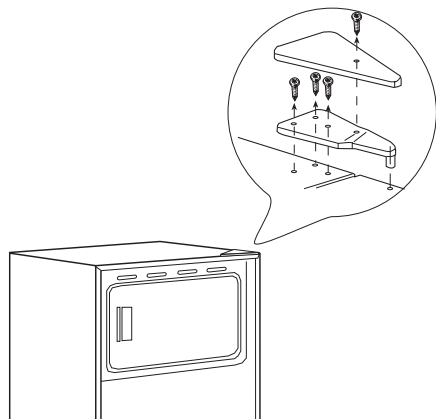


fig. # 2

### Desmantelamiento: (Vea fig. # 2)

1. Fije las puertas del refrigerador y congelador pegando cinta adhesiva en ambos lados para mantener las puertas en su lugar.
2. Como se muestra en la figura 2, desmantele la cubierta de la bisagra en la parte superior de la puerta del congelador con un destornillador de punta de cruz. Después retire los dos tornillos de la bisagra. Saque la bisagra jalándola verticalmente y guárdela en un lugar seguro.
3. Quite la cinta adhesiva de la puerta del congelador, levante y quite la puerta y póngala cuidadosamente adentro.

**Reinstalación:** (Vea fig. # 3 y # 4)

1. Como se muestra en la figura 3, desmantele la bisagra inferior y la placa plástica del lado derecho y luego instálelos en el lado izquierdo.

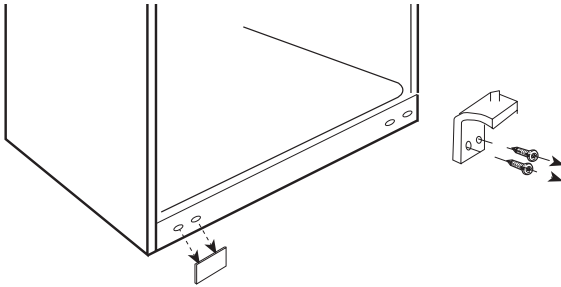


fig. # 3

2. Como se muestra en la figura 4, instale la bisagra central y la placa en el lado izquierdo.

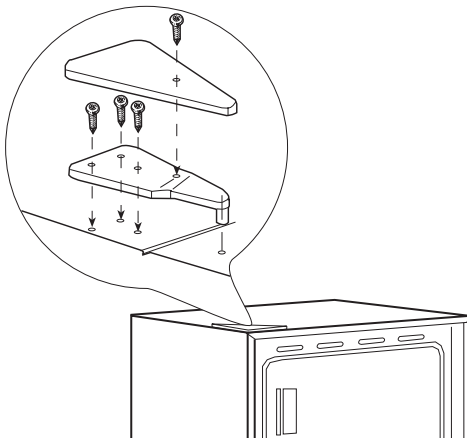


fig. # 4

3. Instale la puerta del refrigerador: haga que el orificio izquierdo de la puerta del compartimento del refrigerador caiga sobre el eje de la bisagra inferior, mueva la puerta hacia atrás y hacia adelante para enderezarla y alinearla con la bisagra central. Instale la bisagra superior de nuevo, gire el eje de la bisagra hasta que entre completamente al cuerpo de la puerta, luego fije con los tornillos.
4. Vuelva a colocar la cubierta de la bisagra como se muestra en la Figura 4.



## Como Invertir las Manijas de la Puerta

### Refrigerador: (Vea fig. # 5)

1. Quite la cubierta de tornillo de la manija.
2. Usando un destornillador de punta de cruz, quite el tornillo interior y ambos tornillos de la parte superior de la puerta del refrigerador que sostiene la manija.
3. Instale la manija en el lado opuesto.
4. Quite los tapones de tornillo.
5. Instale los tornillos y las cubiertas de tornillo en sus ubicaciones correspondientes.

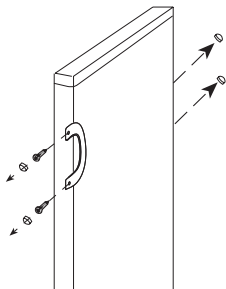


fig. # 5

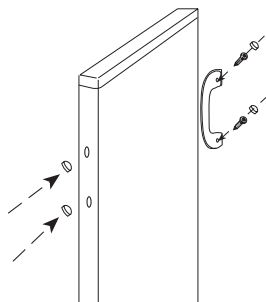


fig. # 5a

### Cómo Invertir la Puerta del Congelador: (Vea fig. # 6)

1. Quite la charola recolectora de agua.
2. Usando un objeto angosto y sin filo (por ejemplo un destornillador de punta de cruz), presione el eje de la bisagra en la parte de abajo del lado bisagrado de la puerta del congelador.
3. De esta manera sacará la puerta del congelador de las bisagras.
4. Dele vuelta a la puerta e instale la bisagra en el lado opuesto.
5. Una vez que la puerta del congelador esté instalada, inserte la charola recolectora de agua.

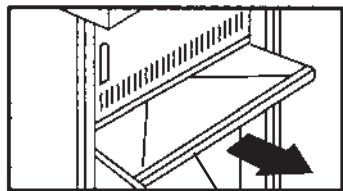


fig. # 6

charola recolectora  
de agua

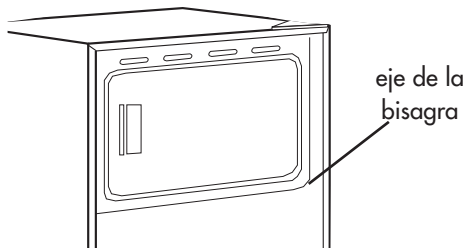


fig. # 6a

# Uso y Funciones del Refrigerador

## Funciones Generales

### Dial de Temperatura Ajustable

Su refrigerador mantendrá automáticamente el nivel de temperatura que seleccione. El dial de control de temperatura tiene 7 ajustes además del ajuste "off" (apagado). El 1 es el más tibio. El 7 es el más frío. El girar el dial hasta "OFF" (apagado), detiene el enfriamiento en ambas secciones del refrigerador y congelador. Primero, ajuste el dial a 4 y permita que pasen 24 horas antes de ajustar la temperatura a sus necesidades.

(Nota: Si el refrigerador ha sido colocado en una posición horizontal o inclinada durante algún periodo de tiempo, espere 24 horas antes de enchufar la unidad.)

### Luz Interior de la Sección del Refrigerador:

Su refrigerador está equipado con una luz interior automática en la sección de alimentos frescos para que pueda localizar los alimentos con facilidad.

## Entrepaños Interiores del Refrigerador

Los entrepaños del refrigerador fueron diseñados pensando en usted. Su variada ajustabilidad le permite satisfacer sus necesidades personales de almacenaje. Solo el tipo de modelo y su imaginación limitan las posibilidades.

### To remove or adjust a full-width slide-out shelf:

(Vea fig. # 7)

1. Levante ligeramente el entrepaño y deslícelo hacia el frente hasta sacarlo completamente.
2. Para volver a colocar el entrepaño, seleccione la ubicación deseada y deslice cuidadosamente el entrepaño hasta que quede enganchado.

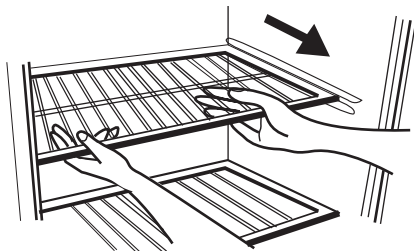


fig. # 7

## Cajón para Frutas y Verduras y Cubierta

### Para sacar e instalar el cajón para frutas y verduras:

(Vea fig. # 8)

1. Sujete firmemente el cajón y deslícelo hacia afuera completamente.
2. Vuelva a meter el cajón colocándolo correctamente dentro de las guías y deslizándolo cuidadosamente a su lugar.

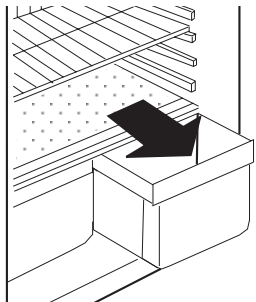


fig. # 8

### Para quitar la cubierta del cajón para frutas y vegetales: (Vea fig. # 9)

1. Primero saque ambos cajones.
2. Sujete cuidadosamente la cubierta del cajón y deslícela hacia afuera para sacarla.

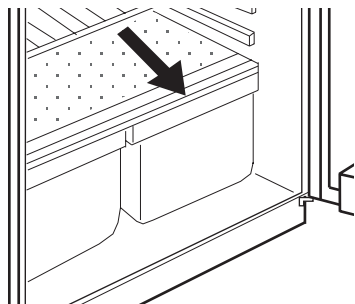


fig. # 9

### Para volver a colocar la cubierta del cajón para frutas y verduras:

1. Inserte la parte posterior de la cubierta del cajón dentro del soporte de apoyo en las paredes laterales del refrigerador.
2. Deslice la cubierta del cajón a su lugar.
3. Vuelva a colocar los cajones para frutas y verduras como se indica anteriormente.

## Entrepaños en la Puerta del Refrigerador

### Para quitar los entrepaños de la puerta del refrigerador: (Vea fig. # 10)

1. Quite todos los artículos almacenados en el entrepaño.
2. Levante cuidadosamente cada lado hasta que el entrepaño se desenganche de los soportes de entrepaño de la puerta y luego quítelo.

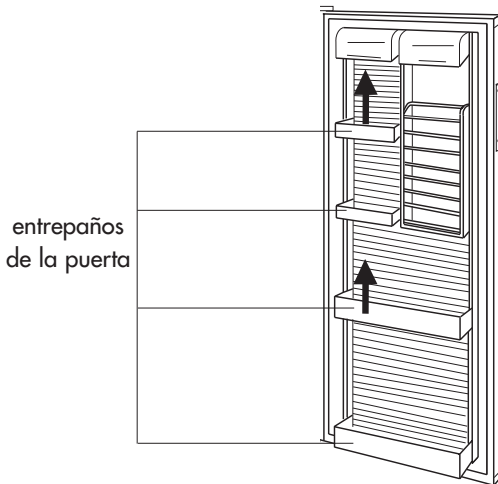


fig. # 10

### Para volver a colocar los entrepaños en la puerta del refrigerador: (Vea fig. # 10)

1. Alinee los extremos de los entrepaños con los soportes de entrepaño de la puerta.
2. Presione cuidadosamente cada extremo del entrepaño de la puerta hasta que se enganche con los soportes de entrepaño en la puerta.

## Para ajustar el retenedor de botellas del entrepaño de la puerta: (Vea fig #11)

1. Sujete el retenedor firmemente y deslícelo a la derecha o izquierda hasta que quede ajustado contra los artículos almacenados en el entrepaño.

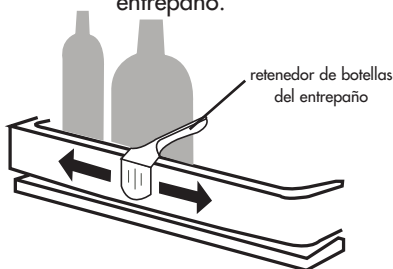


fig. # 11

## Descongelación de su Refrigerador

- Para una eficiencia de energía máxima, descongele la sección del congelador cuando la escarcha que se acumule en las paredes del congelador tenga un grosor de 6 mm o más. Tenga en cuenta que la escarcha tiende a acumularse más durante los meses de verano.
- Para descongelar el congelador, saque los alimentos de la sección del congelador y presione el botón de descongelación localizado en el centro de la perilla de temperatura. Este botón desactiva el compresor permitiendo que el hielo se derrita. El compresor se encenderá de nuevo automáticamente después que termine el ciclo de descongelación.
- Durante el ciclo de descongelación, el agua se acumulará en la charola recolectora de agua. Vacíe el agua a un recipiente quitando el tapón de desagüe ubicado en el fondo de la charola recolectora de agua (vea fig. # 12). Puede que le sea más fácil sacar la charola recolectora de agua del refrigerador y quitar el tapón antes de que empiece el proceso de descongelación (vea fig. # 13).

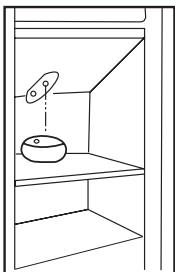


fig. # 12

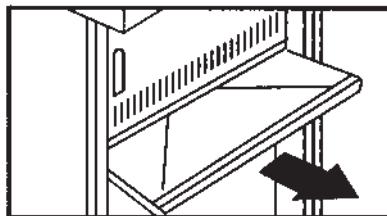


fig. # 13

## Información sobre el Almacenamiento de Alimentos

### Alimentos Frescos

- Cuando almacene alimentos frescos que no estén preempacados, asegúrese de envolver o almacenar los alimentos en un material hermético y a prueba de humedad a menos que se indique de otra manera. Esto asegurará la vida útil de los entrepaños y prevendrá la contaminación de olores y sabores.
- Limpie los contenedores antes de almacenarlos para evitar derrames innecesarios.
- Los huevos deben ser almacenados en su caja original para aumentar la vida útil del entrepaño.
- Las frutas deben ser lavadas y secadas y luego almacenadas en el cajón para frutas y verduras en el ajuste de baja humedad para mantener su frescura. Si no tiene cajones con control de humedad, coloque las frutas en bolsas plásticas selladas antes de almacenarlas en el cajón.
- Los vegetales con piel deben ser almacenadas en bolsas o contenedores de plástico y luego ser almacenadas en el cajón para frutas y verduras con un ajuste de baja humedad.
- Los vegetales frondosos deben ser lavados y escurridos y luego almacenados en bolsas o contenedores de plástico en el cajón para frutas y verduras con un ajuste de alta humedad.
- Debe esperar a que los alimentos calientes se enfríen antes de almacenarlos en el refrigerador. Esto prevendrá el uso innecesario de energía.
- Los mariscos frescos deben ser usados el mismo día que se compran.
- Cuando almacene carnes en la sección de alimentos frescos, manténgala en el paquete original o vuélvala a empacar conforme sea necesario. Siga las sugerencias de abajo para un almacenamiento seguro:
 

• Pollo	1-2 Días
• Carne Molida de Res	1-2 Días
• Carnes Frías	3-5 Días
• Bistecs/Asados	3-5 Días
• Carnes Ahumadas/Curadas	7-10 Días
• Todas las demás	1-2 Días

Si se requieren periodos de almacenamiento más largos, almacénelas inmediatamente en la sección del congelador.

## Alimentos Congelados

- Un almacenamiento adecuado en el congelador requiere un embalaje correcto. Todos los alimentos deben estar en paquetes que no permitan el flujo de aire o la humedad interior o exterior. Un almacenamiento incorrecto resultará en la contaminación de olores y sabores y hará que los alimentos empacados inapropiadamente se sequen.
- Siga las instrucciones del paquete o contenedor para un almacenamiento adecuado.
- **Recomendaciones de Empacamiento:**
  - Contenedores plásticos con tapas herméticas
  - Papel de aluminio reforzado
  - Envoltura plástica hecha de una capa de saran
  - Bolsas plásticas resellables
- No vuelva a congelar los alimentos descongelados.
- Se recomienda anotar la fecha de congelación en el paquete.

## Ruidos de Operación Normales que Pueda Escuchar

- El ventilador circulando el aire en el interior de su unidad para mantener la temperatura que ha seleccionado.
- Agua hirviendo, ruidos gorgoteantes o ligeras vibraciones que son el resultado del gas refrigerante circulando a través del serpentín de enfriamiento.
- Ruidos de chisporroteos o estallidos debido al hielo que se derrite durante el ciclo de descongelación y que gotea en el calentador de descongelación.
- El ruido de agua goteando a medida que el hielo se derrite del evaporador y fluye hacia la bandeja de escurrimiento del agua durante el ciclo de descongelación.
- Ruidos de crujidos o estallidos causados por la expansión y/o la contracción del serpentín de enfriamiento durante el ciclo de descongelación.
- Ambos el temporizador de descongelación y el control del termostato harán "clic" cuando se enciendan y se apaguen.



# Cuidados y Limpieza Asegurada del Refrigerador

## Limpieza y Mantenimiento

**Advertencia:** Para evitar una descarga eléctrica siempre desenchufe su refrigerador antes de limpiarlo. El ignorar esta advertencia puede causar lesiones o la muerte.

**Precaución:** Antes de usar productos de limpieza, siempre lea y siga las instrucciones y advertencias del fabricante para evitar lesiones personales o daños al producto.

### En general:

- Prepare una solución de limpieza de 3-4 cucharadas de bicarbonato de sodio mezclado con agua tibia. Use una esponja o un trapo suave, humedecidos con la solución de limpieza, para limpiar su refrigerador.
- Enjuague con agua limpia tibia y seque con un trapo suave.
- No use químicos fuertes, abrasivos, amoníaco, cloro, detergentes concentrados, disolventes o estropajos metálicos. ALGUNOS de estos químicos pueden disolver, dañar y/o decolorar su refrigerador.

- Empaques de la puerta:**
- Limpie los empaques de la puerta cada tres meses de acuerdo a las instrucciones generales. Los empaques deben mantenerse limpios y flexibles para asegurar un sellado apropiado.
  - El aplicar un poco de vaselina en el lado articulado de los empaques mantendrá el empaque flexible y asegurará un sellado apropiado.

## Reemplazo del Foco

1. Apague el interruptor del refrigerador.
2. Saque el entrepaño más alto.
3. Permita que el foco se enfríe antes de quitarlo.
4. Quite el foco destornillándolo hacia la izquierda.
5. Siempre reemplácelo con el tipo de foco incluido con la unidad, que tenga una capacidad de 40 watts o de menor potencia.
6. Nunca exceda los 40 watts de potencia.

## Interrupciones de Energía

- Pueden ocurrir ocasionalmente interrupciones de energía debido a tormentas eléctricas u otras causas. Desenchufe el cable eléctrico del tomacorriente de corriente alterna cuando ocurra una interrupción en el sistema eléctrico. Cuando la electricidad haya regresado, vuelva a conectar el cable eléctrico a un tomacorriente de corriente alterna. Si ocurre una interrupción en el sistema eléctrico durante un periodo prolongado, inspeccione y deseche los alimentos descongelados o echados a perder en el refrigerador o congelador. Limpie el refrigerador antes de volver a usarlo.

## Vacaciones y Mudanza

- Durante ausencias largas o vacaciones, vacíe la comida del refrigerador y congelador, coloque el DIAL de temperatura a la posición de "OFF" (apagado) y limpie el refrigerador y los empaques de la puerta de acuerdo a la sección de "Limpieza general". Mantenga las puertas abiertas para que el aire pueda circular en el interior. Al mudarse, siempre traslade el refrigerador verticalmente. No lo traslade con la unidad colocada horizontalmente. Pudiera ocurrir un posible daño al sistema sellado.

# Verificación de Problemas

## **El Refrigerador no Funciona:**

- Revise que el control del termostato no esté en la posición de "OFF" (apagado).
- Revise que el refrigerador esté conectado.
- Revise que haya corriente eléctrica en el tomacorriente de corriente alterna, revisando el interruptor de circuito.
- Espere 30-40 minutos para ver si el refrigerador va a empezar a funcionar. Puede que esté en la modalidad de "descongelación" y éste debe completar el ciclo antes de que el compresor empiece a funcionar.

## **La temperatura de los alimentos parece estar demasiado tibia:**

- Apertura constante de la puerta.
- Dele tiempo a los alimentos tibios para que puedan alcanzar una temperatura fresca o de congelación.
- Revise que los empaques estén bien sellados.
- Limpie el serpentín del condensador (para modelos con el serpentín del condensador expuestos).
- Ajuste el control de temperatura al ajuste más frío.
- Revise que en el compartimento del congelador los paquetes de alimentos congelados no bloqueen el conducto de aire.

## **La temperatura de los alimentos es demasiado fría:**

- Si el ajuste del control de temperatura es muy frío, ajústelo a una temperatura más cálida y permita que pasen varias horas hasta que la temperatura se ajuste.

## **El refrigerador se enciende frecuentemente:**

- Esto puede ser normal para mantener una temperatura constante durante temperaturas altas y días húmedos.
- Las puertas pudieron haberse abierto frecuentemente o durante un largo periodo de tiempo.
- Limpie el serpentín del condensador.
- Revise que el empaque esté bien sellado.
- Revise que las puertas estén completamente cerradas.

**Acumulación de humedad en el interior o exterior del refrigerador:**

- Esto es normal durante periodos de alta humedad.
- Apertura constante o prolongada de la puerta.
- Revise que los empaques de la puerta estén bien sellados.

**El refrigerador despidе un olor:**

- Necesita limpiar el interior.
- Los alimentos envueltos o sellados inadecuadamente están despidiendo los olores.

**La luz del refrigerador no funciona:**

- Revise el suministro eléctrico.
- Apriete el foco en el zócalo.
- Reemplace el foco fundido.

**La puerta del refrigerador/congelador no cierra correctamente:**

- Nivele el refrigerador.
- Vuelva a alinear la puerta del refrigerador/congelador.
- Revise que no haya obstrucciones como contenedores de alimentos, la cubierta del cajón para frutas y verduras, entrepaños, recipientes, etc.

# Garantía Limitado

## ¿Qué está cubierto y por cuánto tiempo?

Esta garantía cubre cualquier defecto en la manufactura o empleo de materiales por un plazo de:

- 12 meses de mano de obra**
- 12 meses en componentes**
- 5 años en el sistema sellado**

La garantía comienza en la fecha de compra del artículo, y la factura original de compra debe presentarse al centro de servicio autorizado para poder efectuar cualquier reparación que esté bajo garantía.

## EXCEPCIONES: Garantía por Uso Comercial o Bajo Arrendamiento

**90 meses en mano de obra (únicamente en taller)**

**90 días en componentes**

**Ninguna otra garantía es válida**

### ¿Qué está cubierto?

1. Los componentes mecánicos y eléctricos que cumplen con alguna función de este aparato durante un plazo de 12 meses. Esto incluye cualquier componente con excepción de acabados y molduras.
2. Los componentes del sistema sellado, como por ejemplo: compresor hermético, condensador, y evaporador, por defectos de manufactura durante un plazo de 5 años a partir de la fecha de compra. Cualesquier daños a tales componentes causados por abuso mecánico o manejo o transportación inadecuada no serán cubiertos.

### ¿Qué se hará?

1. Repararemos o reemplazaremos, a discreción nuestra, cualquier componente mecánico o eléctrico que se muestre defectuoso por uso normal durante el plazo así especificado.
2. No habrá cargos para el comprador por las partes y la mano de obra en cualesquier artículos cubiertos durante el periodo inicial de 12 meses. Al término de este periodo solo las partes son cubiertas en la garantía restante. La mano de obra no está provista y debe ser cubierta por el cliente.
3. Localice su centro de servicio autorizado más cercano.

Para conocer el nombre del centro de servicio más próximo a su domicilio, por favor llame al 1-877-337-3639 (Válido solo en E.U.A.).

## ESTA GARANTIA CUBRE APARATOS DENTRO DEL TERRITORIO CONTINENTAL DE LOS ESTADOS UNIDOS, PUERTO RICO Y CANADÁ.

Daños por instalación inadecuada.  
Daños por transportación.  
Defectos que no sean por manufactura.  
Daños por negligencia, abuso, accidente, alteración, falta de cuidado adecuado y de mantenimiento, o conexión a tensión eléctrica incorrecta.

Daños que no sean por uso doméstico.  
Daños por servicio que no sea proporcionado a través de un distribuidor o centro de servicio autorizado. Molduras decorativas o focos reemplazables.

Envío y transportación.  
Mano de obra (después de los primeros 12 meses).

ESTA GARANTIA LIMITADA ES PROVISTA EN SUSTITUCION A CUALQUIER OTRA GARANTIA EXPRESADA O QUE IMPLIQUE LAS GARANTIAS MERCANTILES SUJETAS A CIERTO PROPOSITO.

El amparo provisto por esta garantía es de uso exclusivo y se otorga en sustitución a cualquier otro amparo.

Esta garantía no cubre daños incidentales o sus derivados, por lo que las anteriores restricciones pueden serle ajenas. En ciertos estados no se permiten restricciones en lo que se refiere a la duración implícita de una garantía, por lo que las anteriores restricciones pueden serle ajenas.

Esta garantía le otorga ciertos derechos legales y es posible que usted goce de otros derechos, los cuales varían de estado a estado.

Haier America  
New York, NY 10018

# IMPORTANT

## Do Not Return This Product To The Store

If you have a problem with this product, please contact the "Haier Customer Satisfaction Center" at 1-877-337-3639.

DATED PROOF OF PURCHASE REQUIRED FOR WARRANTY SERVICE

# IMPORTANT

## Ne pas Réexpédier ce Produit au Magasin

Pour tout problème concernant ce produit, veuillez contacter le service des consommateurs 'Haier Customer Satisfaction Center' au 1-877-337-3639.

UNE PREUVE D'ACHAT DATEE EST REQUISE POUR BENEFICIER DE LA GARANTIE.

# IMPORTANTE

## No regrese este producto a la tienda

Si tiene algún problema con este producto, por favor contacte el "Centro de Servicio al Consumidor de Haier" al 1-877-337-3639 (Válido solo en E.U.A).

NECESITA UNA PRUEBA DE COMPRA FECHADA PARA EL SERVICIO DE LA GARANTIA

115V, 60 Hz

Made in China  
Fabriqué en Chine  
Hecho en China

**Haier**<sup>®</sup>  
*What The World Comes Home To*<sup>™</sup>

tmnfr141618-1  
Issued: Oct-00  
Publication: Oct-00  
Emitido: Oct.-00

Haier America  
New York, NY 10018

Printed in China