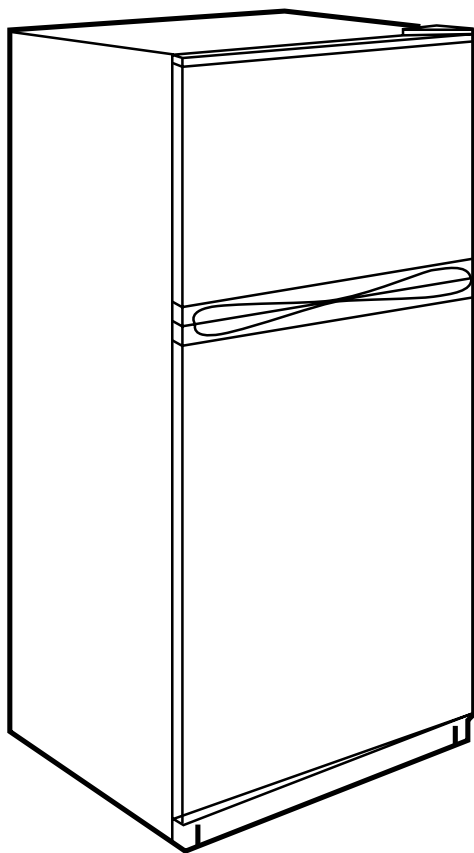


Haier



2-DOOR REFRIGERATOR

HRF-300ME/350ME

Instruction Manual

IMPORTANT SAFEGUARDS

Read all instructions before using this appliance.

When using this appliance, always exercise basic safety precautions, including the following:

- 1.) Use this appliance only for its intended purpose as described in this use and care guide.
- 2.) This refrigerator must be properly installed in accordance with the installation instructions before it is used. See grounding instructions in the installation section.
- 3.) This refrigerator should not be recessed or built in; it is designed for free-standing installation only.
- 4.) Never unplug your refrigerator by pulling on the power cord. Always grip plug firmly and pull straight out from the outlet.
- 5.) Repair or replace immediately all electric service cords that have become frayed or otherwise damaged. Do not use a cord that shows cracks or abrasion damage along its length or at either the plug or connector end.
- 6.) If your old refrigerator is still around the house but not in use, be sure to remove the doors. This will reduce the possibility of danger to children.
- 7.) After your refrigerator is in operation, do not touch the cold surfaces in the freezer compartment, particularly when hands are damp or wet. Skin may adhere to these extremely cold surfaces.
- 8.) Don't refreeze foods that have been thawed completely. The United States Department of Agriculture in Home and Garden Bulletin No. 69 says:
"...You may safely refreeze frozen foods that have thawed if they still contain ice crystals or if they are still cold-below 40 °F."
"...Thawed ground meats, poultry, or fish that have any off-odor or off-color should not be refrozen and should not be eaten. Thawed ice cream should be discarded. If the odor or color of any food is poor or questionable, throw it away. The food may be dangerous to eat."
"...Even partial thawing and refreezing reduce the eating quality of foods, particularly fruits, vegetables, and prepared foods. The eating quality of red meats is affected less than that of many other foods. Use refrozen foods as soon as possible to save as much of their eating quality as you can."
- 9.) Do not use any electrical device or any sharp instrument in defrosting your refrigerator.
- 10.) Unplug your refrigerator before cleaning or before making any repairs.
Note: We strongly recommend that any servicing be performed by a qualified individual.
- 11.) Do not operate your refrigerator in the presence of explosive fumes.

SAVE THESE INSTRUCTIONS

Danger

Avoid risk of child entrapment. Before throwing away an old refrigerator or freezer: Take off the doors and remove the shelves so that children can not easily climb inside.

TABLE OF CONTENTS

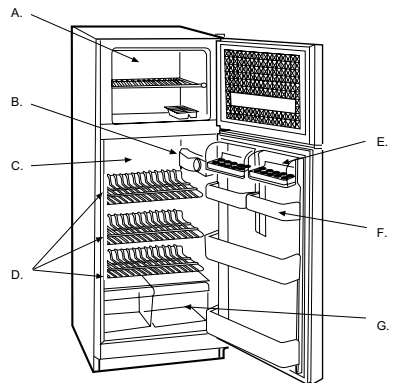
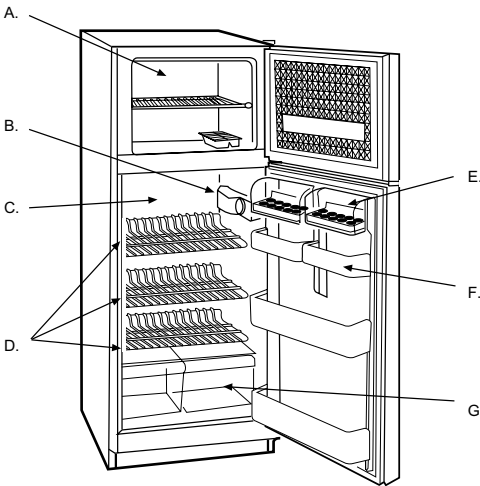
PAGE

Important Safeguards	2
Parts	3
Energy-Saving Tips	4
Refrigerator Installation	4
Operating Your Refrigerator	5
Care and Cleaning	6
Defrosting	7
Vacation and Moving	7
Reversing the Doors	8
Food Storage	9
Troubleshooting	10

PARTS

HRF-350 ME

HRF-300 ME



- A. Freezer Compartment
- B. Temperature Control Dial
- C. Refrigerator Compartment
- D. Shelves

- E. Egg Storage
- F. Dairy Storage
- G. Vegetable Crispers

ENERGY-SAVING TIPS

- Do not place your refrigerator next to a heating vent, a range or in direct sunlight.
- Do not open doors more often than necessary.
- Keep the door closed as much as possible, especially in hot, humid weather.
- Defrost the freezer compartment whenever frost becomes 1/4-inch thick.
- Cover foods to reduce moisture buildup inside the refrigerator.
- Store only foods that require refrigeration in your refrigerator.
- Allow hot foods to cool before placing them in your refrigerator.
- Do not overfill your refrigerator shelves; for proper air circulation.

REFRIGERATOR INSTALLATION

The refrigerator is designed for free-standing installation only. It should not be built in. Allow 5/8 inch on each side, and 1 inch over the top of the refrigerator to ease installation and for proper air circulation. Be sure to install your refrigerator on a floor that is strong enough to support it fully loaded.

If the refrigerator is not level, adjust the front leveling legs by turning clockwise to raise the refrigerator and counterclockwise to lower it.

Do not install your refrigerator where the temperature will fall below 60° F. because it will not run frequently enough to maintain proper temperatures.

ELECTRICAL CONNECTION

Important-For personal safety, this appliance must be properly grounded.

In the event of an electrical short circuit, grounding reduces the risk of electric shock by providing an escape wire for the electric current. This appliance is equipped with a cord having a grounding wire with a grounding plug. The plug must be plugged into an outlet that is properly installed and grounded. Consult a qualified electrician or service center if the grounding instructions are not completely understood. If doubt exists as to whether the appliance is properly grounded, have a qualified electrician check the circuit to make sure the outlet is properly grounded.

Do not, under any circumstances, cut or remove the third (ground) prong from the plug.

USE OF EXTENSION CORDS

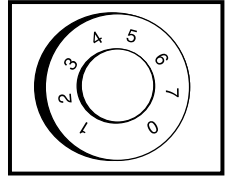
Avoid the use of an extension cord because of potential safety hazards under certain conditions. If it is necessary to use an extension cord, use only a 3-wire extension cord that has a 3-blade grounding plug and a 3-slot outlet that will accept the plug. The marked rating of the extension cord must be equal to or greater than the electrical rating of the appliance.

OPERATING YOUR REFRIGERATOR

TEMPERATURE CONTROL DIAL

The temperature control dial is located in the upper right section of the refrigerator section. This controls both the refrigerator and the freezer compartments and has the following settings:

- “1” to “7” plus “0” which indicates off
- “1” is the warmest
- “7” is the coldest



Initially, set the temperature control dial to “4”.

Allow the refrigerator to cool sufficiently before adding foods. Wait 24 hours after filling the refrigerator to adjust the temperature control to the setting that is best suited to your needs. Positions “2” and “3” are normal settings. Adjustment may be necessary if your refrigerator is placed in a very warm or a very cool location and as seasons change.

Important: If you unplug or turn off the refrigerator, allow 4 minutes before restarting it or plugging it back in.

FREEZER COMPARTMENT

Your refrigerator is equipped with a freezer compartment which freezes up to 14 pounds of food in a 24 hour period and allows preservation of food for long periods of time. An ice cube tray is also included for convenience.

When adding a large amount of unfrozen food to the freezer compartment, set the temperature control on “7”. Place unfrozen foods on the shelf in the freezer compartment. Transfer them to the lower portion of the freezer compartment after they are frozen.

SHELVING

The refrigerator and freezer compartments have shelves that can be moved to different levels to suit your food storage needs.

CARE AND CLEANING

CLEANING THE OUTSIDE

Clean the outside of the refrigerator with a damp cloth. Dry thoroughly. To clean the door gasket use only mild, soapy water. Never use harsh cleansers or scouring pads to clean any part of the refrigerator.

For efficient operation, dirt and dust should be removed from back and bottom of your refrigerator every three months. Turn the temperature control to the “0” position and unplug the refrigerator. Carefully slide the refrigerator away from the wall so as not to damage the floor below. Clean the grid on the back with a soft brush. Wipe dust from the back of the refrigerator with a clean, dry cloth. Clean the walls around and floor below the refrigerator thoroughly.

CLEANING THE REFRIGERATOR COMPARTMENT

Clean the inside of the refrigerator at least twice a year. Turn the temperature control dial to “0”, unplug the refrigerator and remove food and shelves. Wash inside with warm water and baking soda solution (about two tablespoons of baking soda to a quart of water). Rinse and dry. Do not use cleansers such as soaps, detergents, scouring powder or spray cleaners which can cause odors inside the refrigerator.

Wash the ice cube tray, drawers and shelves in mild detergent solution, rinse thoroughly and dry with a soft cloth. To help prevent odors, leave an open box of baking soda in the refrigerator. Change the box every three months.

Do not wash any plastic parts from your refrigerator in the dishwasher.

DEFROSTING

The refrigerator compartment will automatically defrost. The water from defrosting drains through the hole in the bottom of the inside of the refrigerator and accumulates in a pan on top of the compressor where it evaporates. **Never cover the drain hole with food or any other material.** Check the drain hole frequently, to be sure that it is not clogged or blocked in any way. From time to time, clean the drain by pouring 1 cup of warm water into it.

The freezer compartment requires defrosting from time to time. Defrost whenever frost on the wall of the freezer compartment becomes 1/4-inch thick. Never use a sharp or metallic instrument or an electric appliance to remove frost as it may damage the cooling coils. (A punctured cooling coil will cause serious problems and void the warranty.) We recommend using the plastic scraper included with your refrigerator.

Prior to defrosting, increase your temperature control dial to “7” and allow the refrigerator to run for 12 hours. This will help to eliminate defrosting of foods when they are removed from the freezer compartment. To defrost, set temperature control dial to “0” and unplug the refrigerator. Remove foods and ice cube trays from the freezer compartment. Wrap foods in several layers of newspaper and store in a cold place. Defrosting usually takes a few hours. To defrost faster, keep the door open and place a bowl of warm water in the freezer compartment. During defrosting, remove the melted ice from the bottom of the freezer compartment with a sponge. When all ice has melted, wipe the freezer compartment with a damp cloth. Dry thoroughly with a soft cloth.

Turn the temperature control to the desired setting and return foods and ice cube tray to the freezer compartment.

VACATION AND MOVING

WHEN NOT IN USE

If your refrigerator will not be used for a period of time, turn the unit off and unplug. Clean the refrigerator (see page 6, Care and Cleaning). Leave the doors open.

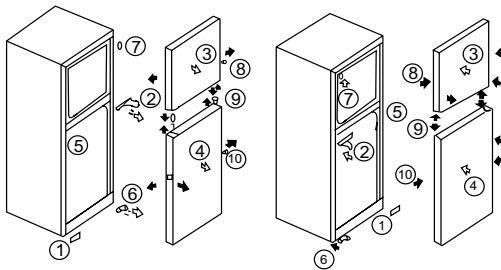
MOVING THE REFRIGERATOR

When transporting the refrigerator, it must be kept in the upright position. If the refrigerator is inadvertently tilted beyond 45 degrees, restore it to the upright position and wait 24 hours before plugging in.

REVERSING THE DOORS

Your refrigerator is equipped with reversible doors. If it is more convenient for your door to open from the right side than the left side, the following steps explain how to reverse the doors. (Tools required: #2 Phillips-Head Screwdriver, Flat Blade Screwdriver, 5mm. Socket)

- Remove the plug plate (1) from the lower left side of the refrigerator using a flat blade screw driver.
- Loosen the center hinge (2) and remove the freezer compartment door (3) and the refrigerator compartment door (4). Remove the center hinge (2).
- Remove the screw covers and screws (5) and fasten on the right side of the refrigerator.
- Remove the lower hinge (6).
- Unscrew and remove the axle (7) from the upper frame and reassemble it on the other side.
- Attach the lower hinge (6) to the left side of the refrigerator. Unscrew the axle from the right hole of the lower hinge and reassemble in the left hole.
- Remove the 4 screw plugs (8, 9 and 10) from the freezer and refrigerator compartment doors.
- Remove the handles (11 and 12) from the doors and attach them to the other side of each door. Note: The freezer handle becomes the refrigerator handle and the refrigerator handle becomes the freezer handle.
- Snap the screw plugs (8, 9 and 10) into the other side of each door.
- Place the center hinge (2) on the top of the refrigerator compartment door (4). Align the refrigerator compartment door with the axle on the lower hinge (6). Place the freezer compartment door on the center hinge (2). With both doors partially open, place the freezer compartment door onto the upper axle. Align the center hinge with the screw holes on the left side and fasten screws. Align the doors and tighten the screws.
- Snap the plug plate (1) into the lower right side of the refrigerator.



Note: After the doors are reversed, the gasket on the refrigerator or freezer door may not form a tight seal with the refrigerator or freezer compartment. To improve the seal, apply warm air from a hair dryer to the gasket and close the door firmly.

FOOD STORAGE

	Days in Refrigerator	Months in Freezer
Meat and Poultry		

Fresh Meat

Roasts (Beef and Lamb)	3 to 5	6 to 12
Roasts (Pork and Veal)	3 to 5	4 to 8
Steaks (Beef)	3 to 5	6 to 12
Lamb Chops	3 to 5	6 to 9
Pork Chops	3 to 5	3 to 4
Ground and Stew Meats	1 to 2	2 to 3
Variety Meats	1 to 2	3 to 4
Pork Sausage	1 to 2	2 to 3

Processed Meats

Bacon	7	1
Frankfurters	7	1/2
Ham (Whole)	7	1 to 2
Ham (Half)	5	1 to 2
Ham (Steak)	3	1 to 2
Luncheon Meats	3 to 5	Not recommended
Sausage (Smoked)	7	Not recommended
Sausage (Dry and Semi-Dry)	14 to 21	Not recommended

Poultry

Chicken and Turkey (Whole)	1 to 2	12
Chicken (Pieces)	1 to 2	9
Turkey (Pieces)	1 to 2	6
Duck and Goose (Whole)	1 to 2	6

Suggested Freezer Storage Times For Other Foods

Most Fruits and Vegetables	8 to 12 months
Lean Fish	6 to 8 months
Fatty Fish	2 to 3 months
Rolls, Bread	2 to 3 months
Soups, Stews, Casseroles	2 to 3 months
Ice Cream	1 month
Cakes, Pies	1 month

TROUBLESHOOTING

- **Refrigerator does not operate.**
 - Not plugged in.
 - Circuit breaker tripped or fuse blown.
- **Refrigerator seems to run longer or more often than necessary.**
 - The doors have been left open.
 - Frequent door openings let cold air escape.
 - Air is not circulating freely, remove the refrigerator from the wall and clean.
- **Refrigerator vibrates.**
 - Check to be sure that refrigerator is level. Adjust the leveling legs.
- **Refrigerator compartment has odor.**
 - Foods with strong odors should be tightly covered.
 - Check for spoiled food.
 - Interior may need cleaning.
 - Keep an open box of baking soda in refrigerator.
(Replace every three months.)
- **Foods are not cold enough.**
 - The temperature setting is not high enough.
 - The doors have been left open.
 - Frequent door openings let cold air escape.
 - Circulation of air inside the refrigerator is blocked because the shelves are too full.
- **The walls on the inside of the refrigerator are damp.**
 - The doors have been left open.
 - Frequent door openings let moisture in.
 - The room is warm and there is high humidity.
 - Warm foods have been placed in the refrigerator.
 - Foods are stored in the refrigerator uncovered.
- **The light does not come on when the door is opened.**
 - The light bulb needs to be changed.
 - The button on the door may be stuck.

CHANGING THE LIGHT BULB

To change the light bulb, turn the temperature control dial to “0” and unplug the refrigerator. Remove the light cover by pulling forward. Remove the light bulb and replace it. Snap the light cover back into position over the light bulb. Wait 4 minutes before plugging in again.