

Haier

HRZ-186

HRZ-186AA

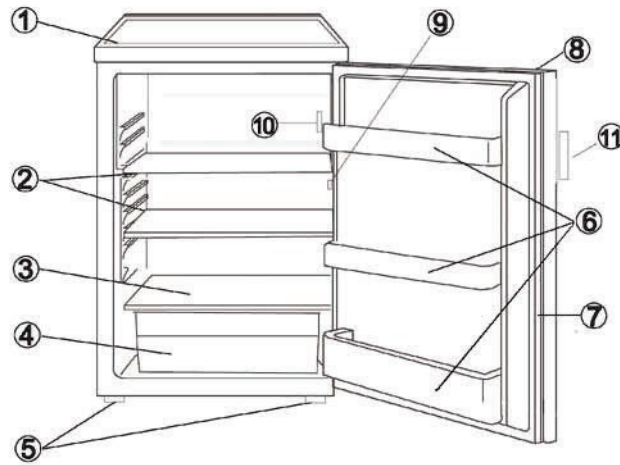
Under Counter Fridge



CE

USER'S INSTRUCTIONS

1.Name of parts



- ① Top Cover
- ② Shelves
- ③ Crisper Box Cover
- ④ Crisper
- ⑤ Leveling Legs
- ⑥ Door shelves
- ⑦ Door seal
- ⑧ Door
- ⑨ Door switch
- ⑩ Temperature Control Knob
- ⑪ Door Handle

Thank you for buying this Haier refrigerator. To ensure that you get the best results from your new fridge, please take time to read through these simple instructions in this booklet.

Please ensure that the packaging material is disposed of in accordance with the current environmental requirements.

If the appliance is visibly damaged, do not connect it to the power supply, contact the store from where you purchased the appliance.

ELECTRICAL CONNECTION (UK ONLY)

For your safety please read the following information.

Warning: This appliance must be earthed.

The appliance must be connected to a 220 - 240 volts 50 cycle AC supply by means of a three pin socket, suitably earthed and should be protected by a 13 amp fuse in the plug.

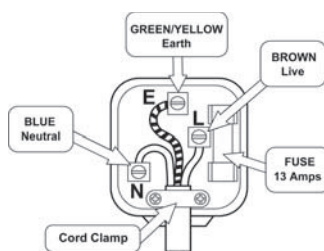
The appliance is supplied with a standard 13 amp 3-pin plug fitted with a 13-amp fuse.

Should the fuse require replacement, it must be replaced with a fuse rated at 13 amp and approved to BS 1362.

If the mains plug is unsuitable for the socket outlet in your home or is removed for any other reason, then the cut off plug should be disposed of safely, do not insert the cut off plug into a mains outlet to prevent the hazard of electric shock. Remove the fuse before disposal.

There is a danger of electric shock if the cut off plug is inserted into any 13-amp socket outlet.

How to wire a 13 amp plug:



Important


The wires in the mains lead on this appliance are colored in accordance with the following code:

Green and Yellow - Earth

Blue - Neutral

Brown - Live

As the colours may not correspond with the markings identifying the terminals in your plug proceed as follows.

The green and yellow wire must be connected to the terminal in the plug which is marked with the letter E or with the earth symbol  or colored green and yellow.

The blue wire must be connected to the terminal marked N.

The brown wire must be connected to the terminal marked L.

You must make sure the mains cord is firmly secured under the cord clamp.

Warnings:

Keep ventilation openings, in the appliance enclosure or in the built in structure, clear of obstructions.

Do not use mechanical devices or other means to accelerate the defrost process, other than those recommended by the manufacturer.

Do not damage the refrigerant circuit.

Do not use electrical devices inside the food storage compartments of the appliance, unless they are of the type recommended by the manufacturer.

THANK YOU FOR PURCHASING THIS HAIER PRODUCT

This booklet contains the information you will require to install and operate your new appliance.

It is important and worthwhile spending time to fully read this booklet so you will understand how to operate the appliance safely and efficiently.
Please keep this booklet in a safe place so that you can refer to it when required.

Safety information

This information is provided in the interest of your safety. Please read the following carefully before carrying out the installation or use of the appliance.

If you are discarding an old freezer or refrigerator with a lock /catch fitted to the door, ensure that it is left in a disabled condition to prevent the entrapment of young children when playing.

As old refrigeration equipment may contain CFC's which will damage the ozone layer, when disposing of any refrigeration equipment please contact your local waste disposal department for advice on the correct method of disposal

This appliance must only be used for its intended purpose i.e. the storage of domestic edible foodstuffs and should not be used for any other purpose

If the mains cable becomes damaged, it must be replaced by the manufacturer, its service agent or a similarly qualified person to avoid a hazard.

Installation

Position the appliance and allow to stand for two to three hours before it is turned on for the first time to allow the system to settle. Do not position next to any heat source e.g. cooker, boiler or in direct sunlight etc.

A clearance of 10 cm must be left between the sides of the appliance and any adjacent cabinets or walls to allow for adequate air circulation. The appliance is not designed for recessed installation ("building in").

Install on a good firm level surface, and any unevenness of the floor should be corrected prior to installation, slight unevenness can be overcome by adjusting the front feet.

NOTE: If the appliance is positioned on a carpet, soft floor covering you should re-adjust the front feet once the appliance has had time to settle.

IMPORTANT SAFETY INFORMATION

This appliance must be used on the electric voltage shown on the rating plate, failure to use the correct voltage will render the guarantee VOID and may cause damage to the product.

This appliance is intended for domestic use only, any other use may invalidate the warranty and might be dangerous.

This appliance is intended for indoor use only, do not use outdoors.

Accessible surfaces may get hot during operation, use handles and knobs at all times.

To protect against electric shock do not immerse cord, plugs, or a ppliance in water or other liquid.

Warning: Keep ventilation openings, in the appliance enclosure or in the built-in structure, clear of obstruction.

Unplug from outlet when not in use and before cleaning. Remove food before cleaning the appliance.

If the mains lead becomes damaged, it must be replaced by the manufacturer, its service agent or similarly qualified person with a lead of the same type and rating to avoid a hazard.

Do not operate the appliance with a damaged cord or plug or after the appliance malfunctions or has been damaged in any way. Consult the retail store where you bought the appliance for advice.

The cooling circuit must not be damaged in any way.

Warning: Do not use mechanical devices or other means to accelerate the defrost process, other than those recommended by the manufacturer.

Warning: Do not damage the refrigerant circuit.

Do not place the appliance near hot surfaces, or in direct sunlight.

Extreme caution must be used when moving an appliance, the appliance may be heavy.

Warning: Do not use electrical appliances inside the food storage compartment of the appliance, unless they are of the type recommended by the manufacturer.

Instructions for use

Remove all packing materials and wash the interior of the appliance using lukewarm water containing a little bicarbonate of soda in the proportion of 1 teaspoon to 1.2 liters (2 pints) of water. Do not use detergents or soaps as they may taint the food. After cleaning, dry all parts thoroughly.

Temperature Control

The refrigerator is designed to maintain an internal storage temperature in the refrigerator compartment between 0°C to + 10°C

To enable adjustment of the temperature in the appliance it is fitted with an adjustable thermostat located in the fridge compartment, which can be adjusted from setting 1 (warmest) to 7 (coldest). For normal working temperature it is recommended to adjust the thermostat control to the midway position, after a few hours readjust the thermostat to the desired temperature. There is also an off position "0". Which turns OFF the refrigerator and freezer compartments. Please Note this does not disconnect the appliance from the mains supply. To do this you must remove the mains plug from the socket.

To obtain a lower internal temperature turn the thermostat temperature control to a higher number. To obtain a higher internal temperature turn the thermostat control to a lower number. However, the internal temperature and temperature control setting is dependent on a number of factors:

1. Varying ambient temperatures.
2. The number of times the appliance doors are opened and how long the doors remain open.
3. The amount and temperature of the food and drink introduced into the appliance.
4. The weather conditions and time of year e.g. summer / winter.
5. The positioning of the appliance and an adequate air circulation to the sides and back of the cabinet.

Never place hot or warm foods into the cabinet or leave the doors open for longer than necessary as this will raise the temperature and cause excessive amounts of moisture thus increasing the amount of ice in the refrigerator / freezer compartment.

The Internal Light

The internal light will automatically switch ON and OFF whenever the refrigerator door is opened or closed. To change the light bulb, please see the chapter on changing the light bulb.

Storage of fresh food in the refrigerator

Food should always be covered tightly with foil, plastic film, placed in bags or stored in airtight containers. This will prevent food from dehydrating and prevent the strong smell of some foods transferring to milder ones.

To store raw meat wrap in polythene bags or airtight containers and place on the lowest shelf.

Do not allow raw meat to come into contact with cooked foods. For safety, only store raw meat for two or three days. Fruit and vegetables should be thoroughly cleaned and placed in the vegetable/ salad bin.

Milk and other liquids should be sealed with lids and placed in the bottle shelf on the door.

Refrigerator defrost process

Refrigerator defrost process The refrigerator defrosting process is carried out automatically every time the compressor stops. The defrost water drains from the cabinet into a tray placed on the top of the compressor to the rear of the unit where it evaporates. Always ensure the drain hole does not become blocked with food, the drain hole is located inside the refrigerator to the rear of the unit just above the crisper cover.

Cleaning and maintenance

Before any cleaning or maintenance is carried out you must disconnect the appliance from the mains supply by removing the plug, never remove the plug by pulling on the mains cord. Remove the plug by pulling on the plug itself.

It is recommended that when cleaning the appliance, both the inside and outside, can be cleaned using warm water and a little bicarbonate of soda. Use 1 teaspoon to 1.2 litres of water.

If the appliance is not to be used for a long period of time then it is recommended to remove all the food stuff, clean the inside of the appliance and leave the door open to allow the air to circulate thus avoiding unpleasant odors.

Changing the light bulb

Note. Light bulbs are not covered by the warranty

Disconnect the appliance from the mains supply.

Pull the lamp cover forwards, to gain access to the lamp . Unscrew the light bulb in an anti-clockwise direction from the holder

Replace the bulb with one of the correct type and size (10 watt E14 base).

Replace the cover by Pushing the cover Backwards.

Reconnect the appliance to the mains supply.



Cleaning The Condenser

The condenser is the wire pipe work fitted to the rear of the appliance, this condenser must be cleaned periodically by using a stiff brush or vacuum cleaner.

This will ensure correct operation and will save energy, always unplug the appliance before any cleaning operation.

If the appliance is not operating correctly:

Please check the following points.

Is there a power failure? (Check by turning on a house light)

Has the fuse blown or has the circuit breaker tripped.

Has the door been closed correctly?

Check the thermostat has been set correctly.

Check the mains plug is seated in the wall socket correctly and the socket switch is on.

Check the power outlet is working, Try another appliance.

Is the room temperature too cold or too hot. (working temperature range 16°C to 32°C)

If the appliance is not used for a prolonged period

If the refrigerator is not in use for a long period of time, proceed as follows:

Disconnect the refrigerator from the main supply by removing the plug from the socket.

Clean and dry the inside as instructed under the heading of cleaning the appliance.

Leave the door open to prevent any unpleasant smells from building up while the appliance is not in use.

Before calling for service

Please check the following points:

1. The refrigerator is noisy when running

Check the appliance is level and is not in contact with another appliance or kitchen furniture.

2. The refrigerator does not cool sufficiently.

If the door has been opened too often, or it has been left open for a while it will take time for the appliance to reach its set temperature.

Check the air flow around the refrigerator has not been reduced due to insufficient clearance.

NOTE: The following characteristics should not be looked upon as a problem.

A gentle trickling sound caused by coolant flowing through the pipe.

Compressor operating at high temperature.

Do's and Don'ts

Do- keep raw meat and poultry below cooked food and dairy products.

Do- Leave lettuce, cabbage, parsley and cauliflower on the stem.

Do- Wrap cheese firstly in greaseproof paper and then in a polythene bag, excluding As much air as possible. For best results, take out of the fridge compartment an hour before eating.

Do- Wrap raw meat and poultry loosely in polythene or aluminium foil. This prevents drying.

Do- Wrap fish and offal in polythene bags.

Do- Wrap food with a strong odour or which may dry out, in polythene bags, or aluminium foil or place in airtight container.

Do- Wrap bread well to keep it fresh.

Do- Chill white wines, beer, lager and mineral water before serving.

Do- Check contents of the low temp compartment every so often.

Do- Keep food for as short a time as possible and adhere to "Best before" and "Use by" etc. dates.

Do- Store commercially prepared food in accordance with the instructions given on the packets.

Do- Always choose high quality fresh food and be sure it is thoroughly clean before Storing it.

Do- Wrap all food in aluminium foil or food quality polythene bags and make sure any air is excluded.

Do- Keep ventilation openings, in the appliance enclosure clear of obstruction.

Do- ensure that frozen food does not rise in temperature while defrosting, a rise in temperature during defrosting may shorten the storage life of your food.

Don't- Cover the shelves with any protective materials which may obstruct air circulation.

Don't- Store poisonous or any dangerous substances in your fridge. It has been designed for the storage of edible foodstuffs only.

Don't- Consume food which has been refrigerated for an excessive length of time.

Don't- Store cooked and fresh food together in the same container. They should be packaged and stored separately.

Don't- Let defrosting food or food juices drip onto already stored food.

Don't- leave the door open for long periods, as this will make the appliance more costly to run and cause excessive ice formation.

Don't- Use sharp edged objects such as knives or forks to remove the ice.

Don't- Use hairdryers, or electrical appliances for defrosting only use item recommended by the manufacturer.

Don't- put hot food into the appliance. Let it cool down first.

Don't- put liquid-filled bottles or sealed cans containing carbonated liquids into the freezer section, as they may burst.

Don't- Give children ice cream and water ices direct from the freezer section. The low temperature may cause 'freezer burns' on the lips.

Don't- Try to keep frozen food which has thawed; it should be eaten within 24 hours or cooked and refrozen.

Don't- Damage the refrigerant circuit at any time

Product:

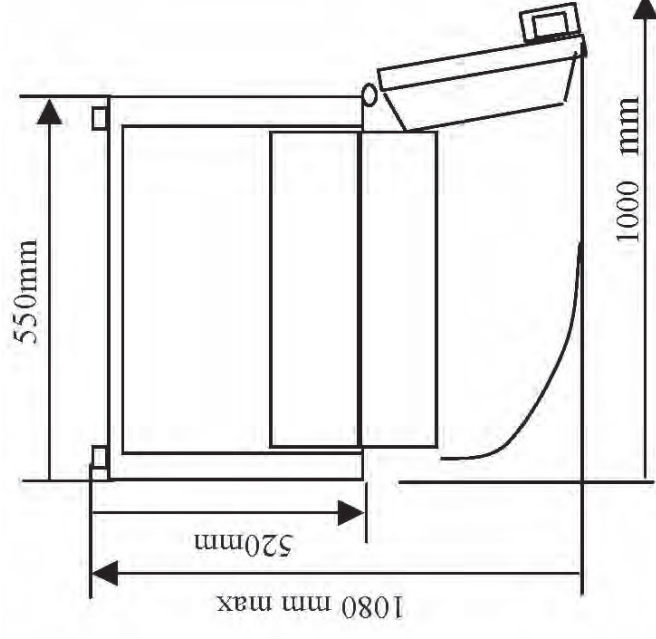
Total storage volume: 126L
Energy class: A
Energy consumption: 150kWh/Year
Climate class: N
Thermostat adjust: manual
Reversible door
2 Front adjustable feet
Colour: white
Refrigerant: R-600A
Max noise level: 43 dB
Length of cable/incl. plug: 1 metres

Dimensions:

Product H x W x D (cm): 85x55x58
Carton H x W x D (cm): 88.5x57x60
Weight net / gross: 30 / 33 kg

Power:

Voltage / frequency: 220-240V~/50Hz



Product:

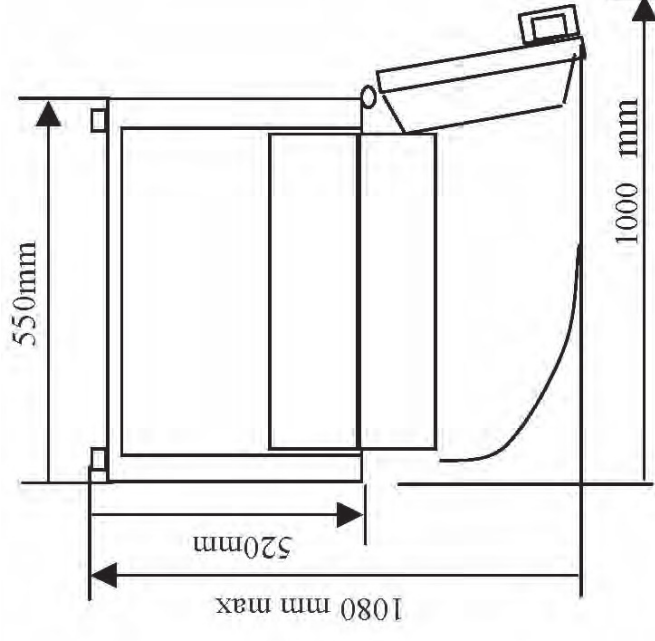
Total storage volume: 126L
Energy class: A+
Energy consumption: 113kWh/Year
Climate class: N
Thermostat adjust: manual
Reversible door
2 Front adjustable feet
Colour: white
Refrigerant: R-600A
Max noise level: 43 dB
Length of cable/incl. plug: 1 metres

Dimensions:

Product H x W x D (cm): 85x55x58
Carton H x W x D (cm): 88.5x57x60
Weight net / gross: 30 / 33 kg

Power:

Voltage / frequency: 220-240V~/50Hz



IMPORTANT DISPOSAL INSTRUCTIONS



As a responsible retailer we care about the environment.

As such we urge you to follow the correct disposal procedure for your product and packaging materials. This will help conserve natural resources and ensure that it is recycled in a manner that protects health and the environment.

You must dispose of this product and its packaging according to local laws and regulations. Because this product contains electronic components and sometimes batteries, the product and its accessories must be disposed of separately from household waste when the product reaches its end of life.

Contact your local authority to learn about disposal and recycling.

The product should be taken to your local collection point for recycling. Some collection points accept products free of charge.

We apologise for any inconvenience caused by minor inconsistencies in these instructions, which may occur as a result of product improvement and development.