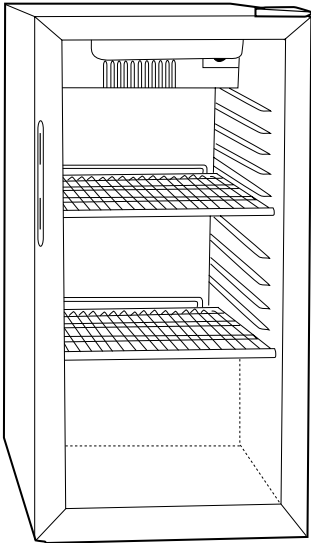


Haier



Beverage Cooler

User's Manual

Model: BC-80E/110E

Safety precautions

When using this appliance, always exercise the following basic safety precautions.

1. Read all of the instructions before using this appliance.
2. Use this appliance only for its intended purpose as described in this User's Manual.
3. This cabinet must be properly installed in accordance with the installation instructions before it is used. See grounding instructions in the installation section.
4. Never unplug your cabinet by pulling on the power cord. Always grasp the plug firmly and pull straight out from the outlet.
5. Unplug your cabinet before cleaning or making any repairs.

Note: If for any reason this product requires service, we strongly recommend that a certified technician performs the service.

6. Repair or replace immediately all electric service cords that have become frayed or otherwise damaged. Do not use a cord that shows cracks or abrasion damage along its length, the plug or the connector end.
7. This cabinet should not be recessed or built-in an enclosed cabinet. It is designed for freestanding installation only.
8. If your cabinet is to be discarded, we recommend that you remove the door and leave the shelves in place. This will reduce the possibility of danger to children.
9. Do not operate your cabinet in the presence of explosive fumes.
10. Do not load the freezer with the food before desired temperature has not been reached to avoid bacteria reproduction.

Please save these instructions.

Danger!

Risk of child entrapment. Before you discard your old cabinet, take off the doors so that children may not easily climb inside.

Thank you for using our product. This manual will guide you in getting the best use of your cabinet.

Remember to record the model and serial number. They are on a label in back of the cabinet.

Model number

Serial number

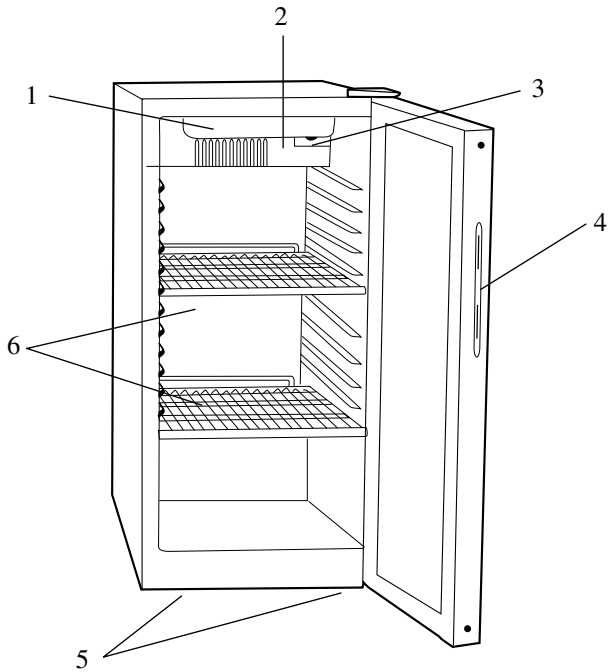
Date of purchase

Staple your receipt to your manual. **You will need it to obtain warranty service.**

Table of contents

Safety precautions	1
Parts	4
Installation	5
Unpacking	5
Leveling	5
Proper air circulation	6
Electrical requirements	6
Features and use	7
Initial set up	7
Temperature adjustment	7
Shelving	8
Interior light	8
Normal operating sounds	8
Proper care and cleaning	9
Cleaning and maintenance	9
Power interruptions	10
Vacation and moving care	10
Lamp replacement	11
Troubleshooting	12

Parts



1. Lamp shade
2. Thermostat knob
3. Light switch
4. Handle
5. Leveling bolt
6. Shelf

Installation

Unpacking

1. Remove all packaging material, including the foam base and all adhesive tape holding the cabinet accessories inside and outside. Slide out and remove plastic or foam guard used to secure the compressor from shipping damage due to vibration and shock.
2. Inspect and remove any remains of packing, tape or printed materials before powering on the cabinet.

Leveling

- Your cabinet has 4 leveling bolts located in the front and rear corners of your cabinet. After properly placing your cabinet in its final position, you can level your cabinet.
- Leveling bolts can be adjusted by turning clockwise to raise or counterclockwise to lower your cabinet. The cabinet door will close more easily when the leveling bolts are extended.

Proper air circulation

- To assure your cabinet works at the maximum efficiency it was designed for, you should install it in a location where there is proper air circulation, plumbing and electrical connections.
- The following are recommended clearances around the cabinet:
 - Sides: 2" (50mm)
 - Top: 2" (50mm)
 - Back: 2" (50mm)
- Do not over fill your cabinet for proper internal air circulation.

Electrical requirements

- Make sure there is a suitable power outlet (115V, 60Hz) with proper grounding to power the cabinet.
- Avoid using 3 plug adapters or cutting off the third grounding in order to accommodate a 2 plug outlet. This is a dangerous practice since it provides no effective grounding for the cabinet and may result in shock hazard.

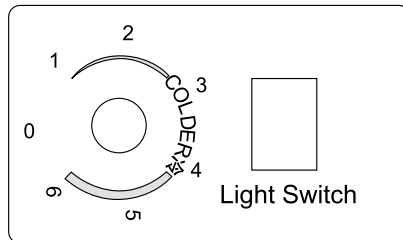
Install limitations

- Do not install your cabinet in any location not properly insulated or heated. Your cabinet is not designed to operate in temperature settings below 53.6°F.
- Locate the cabinet on a hard and flat surface away from direct sunlight or heat source, e.g. radiators, baseboard heaters, cooking appliances etc. Any floor unevenness should be corrected by leveling legs located on the front and rear bottom corners of the cabinet.
- Your cabinet is designed for free-standing installation only, not for built-in application.

Features and use

Temperature adjustments

- The temperature in the cabinet is controlled by the thermostat according to the ambient temperature and condition of the food in storage. The thermostat knob can be rotated clockwise or counter-clockwise between the scale of "0" and "6" (The numerals do not represent temperature degree, but temperature changes. With the value decreasing or increasing, the temperature in the refrigerator will go up or down, respectively. If scale "0" is selected, the appliance will cease operation), It is recommended that the thermostat be set to position "3" or "4" typical climate conditions, then closer to "0" in summer and to "6" in winter.



- Verify that the thermostat is properly set before setup and should not be adjusted unless necessary.

Shelf

- The shelves are designed for both aesthetics and cleaning efficiency. The shelves can be removed and relocated. Especially, these shelves prevent bottles from contacting the evaporator.

Light

- For the sake of decoration and practical operation, a mild light bulb is installed in the cabinet. The light is controlled by the switch on the fan shield.

Normal operating sounds

- Boiling water, gurgling sounds or slight vibrations that are the result of the refrigerant circulating through the cooling coils.
- The thermostat control will click when it cycles on and off.

Proper care and cleaning

Cleaning and maintenance

Warning: To avoid electric shock, always unplug your cabinet before cleaning. Ignoring this warning may result in fatal or serious injuries.

Caution: Before using cleaning products, always read and follow manufacturer's instructions and warnings to avoid personal injury or product damage.

General:

- Prepare a cleaning solution of 3-4 table-spoons of baking soda mixed with warm water. Use sponge or soft cloth dampened with the cleaning solution to wipe your cabinet.
- Rinse with clean arm water and dry with a soft cloth.
- Do not use harsh chemicals, abrasives, ammonia, chlorine bleach, concentrated detergents, solvents or metal scouring pads. Some of these chemicals may dissolve, damage and/or discolor your cabinet.

Door gasket:

- Clean the door gasket once every three months to keep it clean and pliable for proper seal.

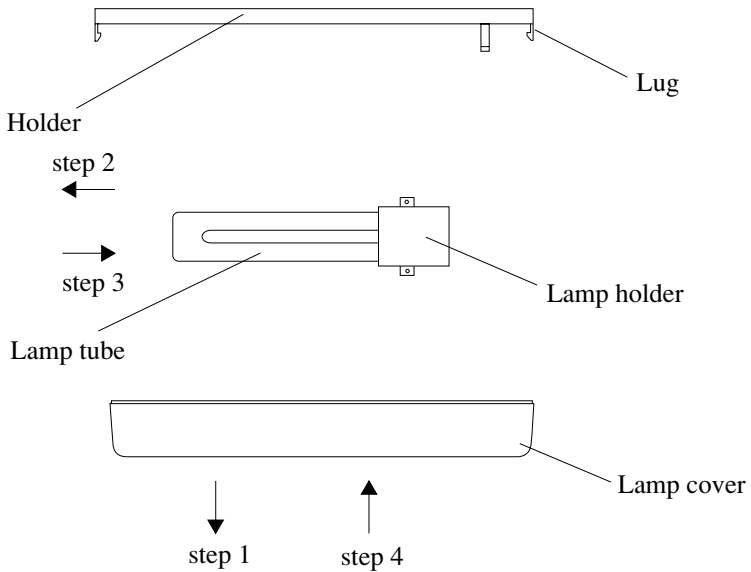
Power interruptions

- When occasionally power supply is interrupted due to thunderstorms or other causes, remove the power cord from the outlet. When power has been restored, plug the power cord to the outlet.

Vacation and moving care

- For long vacations or absences, unplug the cabinet and clean the cabinet and door gaskets according to "General cleaning" section.
- The cabinet is always moved vertically to avoid possible damage to the sealed system.
- Attention should be paid to avoid damage of the cooling tubes and refrigerant leaks. Connect the appliance to the power source 24 hours later.

Lamp replacement



1. Loosen the lug slightly and remove the lampshade. (Step 1)
2. Remove the U lamp tube from the holder. (Step 2)
3. Place a new lamp tube to the holder. (Step 3)
4. Replace the lampshade. (Step 4)

Troubleshooting

Cabinet does not operate.

- Verify if the cabinet is properly plugged in.
- Verify if the power is supplied.

Inside temperature appears too high.

- Frequent door openings.
- Short storage period
- Verify if the gaskets is in good condition
- The condenser coils need cleaning.
- Verify if the thermostat is properly adjusted.

Cabinet temperature is too cold.

- Verify if temperature control setting is too cold.

Cabinet runs too frequently.

- This may be normal to maintain constant temperature during high temperature and humid days.
- Doors may have been opened frequently or for an extended period of time.
- Clean condenser coils.
- Check gasket for proper seal.
- Check to see if doors are completely closed.

Moisture buildup on interior or exterior of the door.

- This is normal during high humidity periods.
- Prolonged or frequent door openings.
- Check door gaskets for proper seal.

Cabinet door does not shut properly.

- Level the cabinet.
- Check for blockages e.g. beverage bottles, shelves.



0070505349