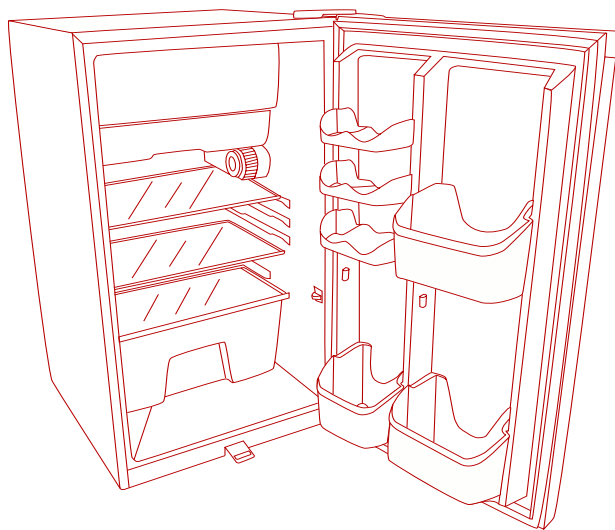


Aficionado Series: Compact Refrigerators



AES44 Model Shown

User Manual
Model # AES27/AES44

Haier[®]

Quality ■ Innovation ■ Style

IMPORTANT SAFETY INSTRUCTIONS

Read all of the instructions before using this appliance. When using this appliance, always exercise basic safety precautions, including the following:

- 1) Use this appliance only for its intended purpose as described in this use and care guide.
- 2) This refrigerator must be properly installed in accordance with the installation instructions before it is used. See grounding instructions in the installation section.
- 3) Never unplug your refrigerator by pulling on the power cord. Always grasp the plug firmly and pull straight out from the outlet.
- 4) Repair or replace immediately, all electric service cords that have become frayed or otherwise damaged. Do not use a cord that shows cracks or abrasion damage along its length, the plug or the connector end.
- 5) Unplug your refrigerator before cleaning or before making any repairs. Note: If for any reason this product requires service, we strongly recommend that a certified technician performs the service.
- 6) Do not use any electrical device or any sharp instrument in defrosting your refrigerator.
- 7) If your old refrigerator is not being used, we recommend that you remove the doors and leave the shelving in place. This will reduce the possibility of danger to children.
- 8) After your refrigerator is in operation, do not touch the cold surfaces in the freezer compartment, particularly when hands are damp or wet. Skin may adhere to these extremely cold surfaces.
- 9) Do not refreeze foods, which have been thawed completely. The United States Department of Agriculture in Home and Garden Bulletin No. 69 reads: "...You may safely refreeze frozen foods that have thawed if they still contain ice crystals or if they are still cold-below 40°F".

"...Thawed ground meats, poultry, or fish that have any off-odor or off-color should not be refrozen and should not be eaten. Thawed ice cream should be discarded. If the odor or color of any food is poor or questionable, discard it. The food may be dangerous to eat."

"...Even partial thawing and re-freezing reduce the eating quality of foods, particularly fruits, vegetables, and prepared foods. The eating quality of red meats is affected less than that of many other foods. Use refrozen foods as soon as possible, to save as much of its eating quality as you can."

- 10) This refrigerator should not be recessed or built-in an enclosed cabinet. It is designed for freestanding installation only.
- 11) Do not operate your refrigerator in the presence of explosive fumes.

SAVE THESE INSTRUCTIONS

DANGER

Risk of child entrapment. Before you throw away your old appliance, take off the doors. Leave the shelves in place so that children may not easily climb inside.

Thank you for using our Haier product. This easy-to-use manual will guide you in getting the best use of your refrigerator.

Remember to record the model and serial number. They are on a label in back of the refrigerator.

Model number

Serial number

Date of purchase

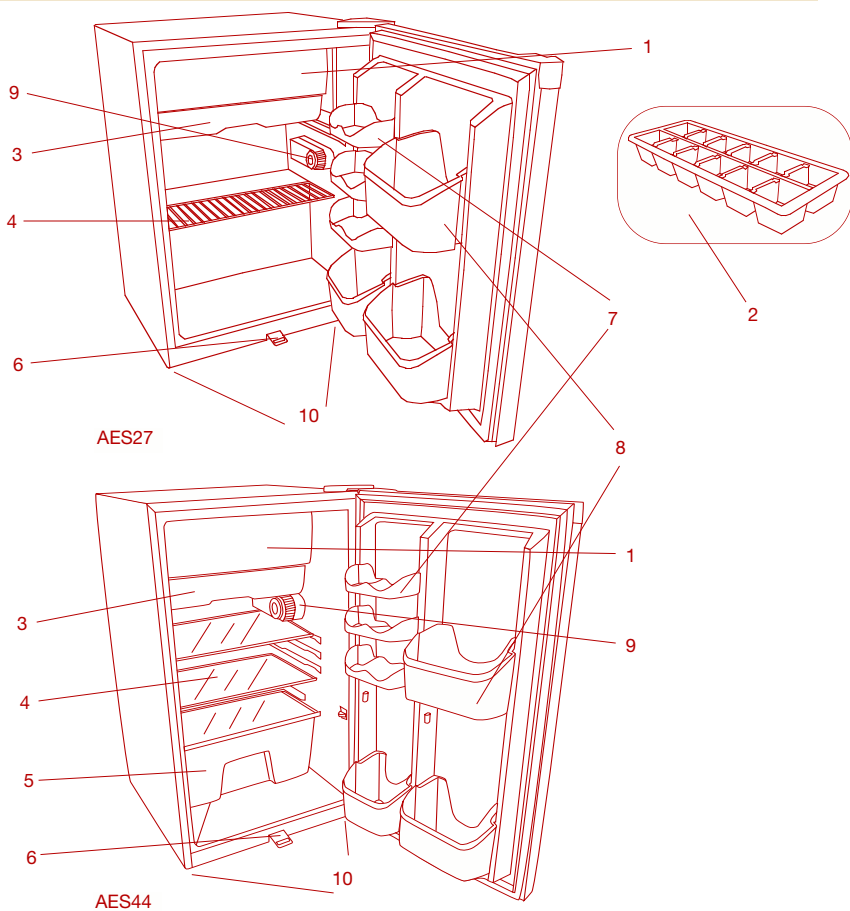
Staple your receipt to your manual.
You will need it to obtain warranty service.

TABLE OF CONTENTS

PAGE

IMPORTANT SAFETY INSTRUCTIONS	1-2
PARTS AND FEATURES	4
INSTALLING YOUR REFRIGERATOR	5
Unpacking	5
Installation limitations	5
Proper air circulation	5
Electrical requirements	5
Use of extension cords	5
Energy Saving Tip	5
Door Alignment	6
Reversing the Door Hinge	6
REFRIGERATOR FEATURES AND USE	7
General Features	7
Adjustable Temperature Dial	7
Refrigerator Interior Shelves	7
Using, Removing or Replacing the Convertible / Drip Pan	7
Adjusting Door Bins and Can Store Trays	7
Using the Lock	8
Replacing Light Bulb	8
Defrosting Your Refrigerator	9
Food storage information	10
Normal operating sounds	10
PROPER REFRIGERATOR CARE AND CLEANING	11
Cleaning and maintenance	11
Power interruptions	11
Vacation & moving care	11
TROUBLESHOOTING	12
LIMITED WARRANTY	13

PARTS AND FEATURES



	1. freezer compartment	2. ice tray	3. convertible drip / storage tray	4. interior storage shelves	5. crisper	6. lock
AES27	√	1	√	1 full width wire	NA	√
AES44	√	1	√	2 full width glass	1 full width with plastic cover	√
	7. can storage	8. door bins	9. adjustable temp. control	10. leveling legs (not shown)	defrost type	
AES27	3 adjustable	3 half width	rotary with light	2 front	push button	
AES44	3 adjustable	3 half width	rotary with light	2 front	push button	

INSTALLING YOUR REFRIGERATOR

Unpacking

1. Remove all packaging material. This includes the foam base and all adhesive tape holding the accessories inside and outside.
2. Inspect and remove any remains of packing, tape or printed materials before powering on.

Installation Limitations

- Do not install in any location not properly insulated or heated e.g. garage etc. Your unit was not designed to operate in temperature settings below 55° Fahrenheit.
- Select a suitable location on a hard even surface away from direct sunlight or heat source e.g. radiators, baseboard heaters, cooking appliances etc. Any floor unevenness should be corrected.
- If needed use the 2 leveling legs located at the bottom of the unit to level the refrigerator. Adjust legs by turning to raise or lower the refrigerator.
- This model is designed for free standing installation. It should not be built-in.

Proper Air Circulation

- To assure your unit works at the maximum efficiency it was designed for, you should install it in a location where there is proper air circulation, plumbing and electrical connections.
- The following are recommended clearances around the refrigerator:

Sides3/4" (19mm)

Top.....2" (50mm)

Back2" (50mm)

Electrical Requirement

- Make sure there is a suitable power Outlet (115 volts, 15 amps outlet) with proper grounding to power the unit.
- Avoid the use of three plug adapters or cutting off the third grounding in order to accommodate a two plug outlet. This is a dangerous practice since it provides no effective grounding for the unit and may result in shock hazard.

Use of Extension Cord

- Avoid the use of an extension cord because of potential safety hazards under certain conditions. If it is necessary to use an extension cord, use only a 3-wire extension cord that has a 3-blade grounding plug and a 3-slot outlet that will accept the plug. The marked rating of the extension cord must be equal to or greater than the electrical rating of the appliance.

Energy Saving Tips

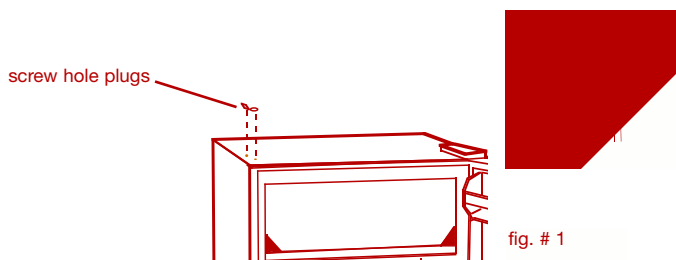
- Do not place your refrigerator next to a heating vent, a range, or in direct sunlight.
- Do not open door more often than necessary.
- Keep the door closed as much as possible, especially in hot and humid weather.
- Store foods to reduce moisture build up inside the refrigerator.
- Store only foods that require refrigeration.
- For proper air circulation, do not overfill your refrigerator shelves.

Door Alignment (all models) (see fig. #1)

1. Remove the top hinge cover.
2. Loosen the top hinge screws using a phillips head screwdriver.
3. Adjust the door or put a spacer in between and then tighten the screws.
4. Replace the top hinge cover.

Reversing the Door Hinge (All models)

1. Removing the top hinge cover screw and then remove the top hinge cover. (see fig. #1)
2. Using a Philips Head Scwdriver, loosen and remove the screws holding the top hinge in place. (see fig. #1)
3. Remove the top hinge and carefully lift off the door.
4. Carefully remove the top screw hole plug from the opposite side and insert the plug in the screw hole openings of the just removed screws. (see fig. #1)
5. Remove the door pin from the bracket of the lower hinge by turning counter clockwise. Move the pin to the opposite hole and tighten. (see fig. #2)
6. Tip the refrigerator back against a wall so that it may not fall over.
7. Loosen the screws holding the lower hinge bracket and remove the hinge.
8. Align the holes in the lower hinge bracket to the corresponding holes in the opposite side of the cabinet. Insert and tighten the screws.
9. Align the bottom hole on the left side of the door with the pin of the lower hinge and slide into place.



10. Align the pin of the top hinge with top hole on the left side of the door and push into place.
Replace the screws in the upper hinge bracket but do not tighten all the way. (see fig. #1)
11. Make sure the door closes easily but forms a tight seals. Adjust the door as needed. (See Door Alignment Section) Once you are satisfied with the door alignment, completely tighten the upper door hinge screws.
12. Replace the hinge cover. (see fig. #1)

REFRIGERATOR FEATURES AND USE

General Features

Adjustable temperature dial:

Your refrigerator will automatically maintain the temperature level you select. The temperature control dial has 7 settings plus off. 1 is the warmest. 7 is the coldest. Turning the dial to OFF stops cooling in both the refrigeration and freezer sections. At first, set the dial to 4 and allow 24 hours to pass before adjusting the temperature to your needs.

(Note: If the refrigerator has been placed in a horizontal or tilted position for any period of time wait 24 hours before plugging the unit in.)

Refrigerator Interior Shelves

To remove or replace a full-width slide-out shelf: (see fig. # 4)

1. Gently tilt the shelf up and slide forward until the shelf has been completely removed.
2. To replace the shelf, gently slide the shelf back.

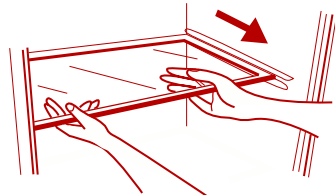


fig. # 4

Using, Removing or Replacing the Convertible Storage / Drip Pan

(see fig. #5)

- Your model has the convertible storage / drip pan feature.

This pan may be used to store food items which should be kept at a cooler temperature such as cheeses, luncheon meats and hotdogs.

1. To access the compartment gently lift and pull it forward until the rear lock tabs engage. When finished gently slide the compartment back until front tabs lock.
2. To remove the compartment gently lift and pull it forward until rear lock tabs engage. Lift up the front of the tray and pull out completely gently.
3. To replace the compartment insert into desired slots and push back until front tabs lock.

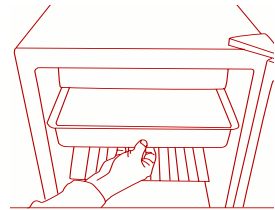


fig. # 5

Adjusting Door Bins and Can Store Trays (see fig. #6)

(Quantity and style may vary per model purchased)

Your model comes with adjustable door bins and trays.

1. Remove bin or tray by lifting up and out. (Note: DO NOT adjust bins or trays with food or containers in them)
2. To insert into new location align the bin or tray over the matching tabs on door. Slide down until bin or tray locks securely in place.

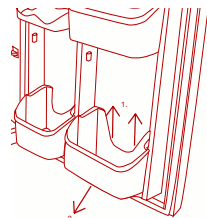
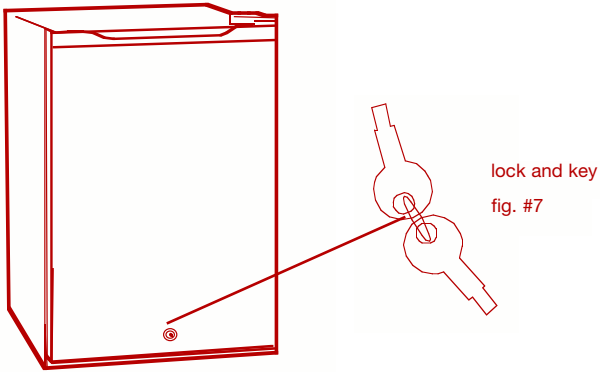


fig. # 6

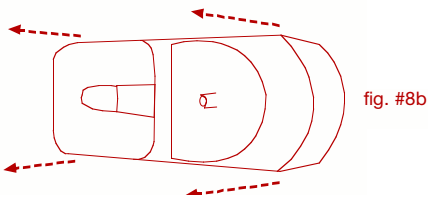
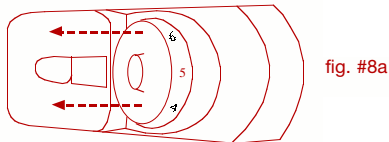
Using the Lock (see fig. #7)

- Your refrigerator is equipped with a lock and key (located at the bottom center of the door) for optional security, should you choose. Simply close the refrigerator door, insert the key and turn. To open, insert the key and turn in the opposite direction.



Replacing Light Bulb

- To replace burnt-out bulbs, remove the temperature control knob by pulling it out (see fig. # 8a). Carefully pull the plastic light cover to the left and remove. Unscrew the bulb and replace it with a new one (use bulbs of 15 watts or less). To replace cover, insert the back slots into the casing (see fig. # 8b). Align the front and push the control knob back in.



Defrosting Your Refrigerator

- For maximum energy efficiency, defrost freezer section whenever frost accumulates to a thickness of 1/4" or more on freezer walls. Note that frost tends to accumulate more during the summer months.

(see fig. #9)

1. To defrost freezer remove all food and the ice cube tray from the unit. Make sure the convertible storage / drip pan is in place under the freezer compartment. Press in defrost button located on the temperature control. Defrosting may take a few hours. To speed up defrost time, keep the door open and place a bowl of warm water in the refrigerator. **Never use sharp objects to remove frost.**
2. During the defrost cycle, water will accumulate in the drip tray. The drip tray may also need to be emptied during the defrost process. Do not leave unattended.
3. After defrosting, empty and wipe down the drip tray, as well as the interior of the refrigerator. You may now reset your refrigerator to the desired temperature and return food.

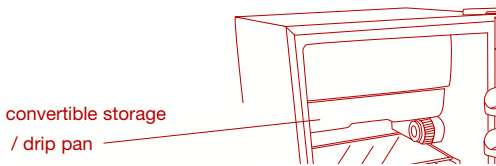
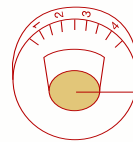


fig. #9



push button to defrost

FOOD STORAGE INFORMATION

Fresh Food:

- When storing fresh food, which is not prepackaged, be sure to wrap or store food in airtight and moisture proof material unless otherwise noted. This will ensure proper shelf life and prevent the transfer of odors and tastes.
- Whip containers before storing to avoid needless spills.

PROPER REFRIGERATOR CARE AND CLEANING

Cleaning and Maintenance

- Warning:**
- To avoid electric shock always unplug your convertible freezer / refrigerator before cleaning. Ignoring this warning may result in death or injury.
- Caution:**
- Before using cleaning products, always read and follow manufacturer's instructions and warnings to avoid personal injury or product damage.
- General:**
- Prepare a cleaning solution of 3-4 tablespoons of baking soda mixed with warm water. Use sponge or soft cloth, dampened with the cleaning solution, to wipe down your convertible freezer / refrigerator.
 - Rinse with clean warm water and dry with a soft cloth.
 - Do not use harsh chemicals, abrasives, ammonia, chlorine bleach, concentrated detergents, solvents or metal scouring pads. SOME of these chemicals may dissolve, damage and/or discolor your convertible freezer / refrigerator.
- Door Gaskets:**
- Clean door gaskets every three months according to general instructions. Gaskets must be kept clean and pliable to assure a proper seal.
 - Petroleum jelly applied lightly on the hinge side of gaskets will keep the gasket pliable and assure a good seal.

Power Interruptions

- Occasionally there may be power interruptions due to thunderstorms or other causes. Remove the power cord from AC outlet when a power outage occurs. When power has been restored, replug power cord to AC outlet. If outage is for a prolonged period, inspect and discard spoiled or thawed food. Clean unit before reusing.

Vacation and Moving Care

- For long vacations or absences, empty food, move the temperature DIAL to the OFF position and clean the door gaskets according to "General cleaning" section. Prop doors open, so air can circulate inside. When moving always move vertically. Do not move with the unit lying down. Possible damage to the sealed system could occur.

TROUBLESHOOTING

Unit Does Not Operate:

- Check if thermostat control is not in the “OFF” position.
- Check if unit is plugged in.
- Check if there is power at the ac outlet, by checking the circuit breaker.

Food temperature appears too warm:

- Frequent door openings.
- Allow time for recently added warm food to reach set temperature.
- Check gaskets for proper seal.
- Adjust temperature control to colder setting.

Food temperature is too cold:

- If temperature control setting is too cold, adjust to a warmer setting and allow several hours for temperature to adjust.

Unit runs too frequently:

- This may be normal to maintain constant temperature during high temperature and humid days.
- Doors may have been opened frequently or for an extended period of time.
- Check gasket for proper seal.
- Check to see if doors are completely closed.
- Check compartment for blockage from frozen food packages, containers, etc.

Moisture build up on interior or exterior of the refrigerator:

- This is normal during high humidity periods.
- Prolonged or frequent door openings.
- Check door gaskets for proper seal.

Refrigerator has an odor:

- Interior needs cleaning.
- Foods improperly wrapped or sealed are giving off odors.

Refrigerator door does not shut properly:

- Re-align refrigerator door.
- Check for blockages e.g. food containers, crisper cover, shelves, bins etc.

LIMITED WARRANTY

What is covered and for how long?

This warranty covers all defects in workmanship or materials for a period of:

- 12 months labor (carry in service)**
- 12 months parts (carry in service)**
- 5 years sealed system (carry in service)**

The warranty commences on the date of item purchase. Customer shall provide Haier with proof of the date of purchase, brand, model and serial number for verification prior to any warranty service being provided.

EXCEPTIONS: Commercial or Rental Use warranty

- 90 days labor (carry-in only)**
- 90 days parts**
- No other warranty applies**

What is covered.

1. The mechanical and electrical parts of the appliance which serve the functional purpose of this appliance are covered for a period of 12 months. This includes all parts except finish and trim.
2. Manufacturing defects to the components of the sealed system (e.g. hermetic compressor, condenser and evaporator) are covered for a period of 5 years from the date of purchase. Any damages to such components caused by mechanical abuse, improper handling or shipping will not be covered.
3. The limited warranty does not cover any credit or refund for any loss or injury caused by the product or defects to the product including but not limited to incidental or consequential damages.

What will be done?

1. Any mechanical or electrical part that proves to be defective in normal usage during the specified warranty period will be repaired or replaced at Haier's discretion.

A&E factory service is the authorized service provider for Haier. If it is determined that repair is not appropriate or replacement part is unavailable for repair, Haier will exchange the product with a refurbished or new product the same or similar to the original at its discretion.

2. There will be no charge to the purchaser for functional replacement parts and labor on any covered items during the initial 12- month period. Beyond this period, only the components of the sealed system are covered, labor is not provided and must be paid for by the customer.
3. To have your product serviced, please contact Haier customer service 1-877-337-3639.

THIS WARRANTY COVERS APPLIANCES WITHIN THE CONTINENTAL UNITED STATES, PUERTO RICO AND CANADA.IT DOES NOT COVER THE FOLLOWING:

Damages from improper installation.
Damages incurred during shipping.
Defects other than manufacturing.
Damage from misuse, abuse, accident, alteration, lack of proper care and maintenance or incorrect current or voltage.
Damage from other than household use.
Damage from service by other than an authorized dealer or service center.
Decorative trims or replaceable light bulbs.
Transportation and shipping.
Labor (after the initial 12 months).
Credit or Refund for products over 30 days past date of purchase
Food loss for food spoiled as a direct result of mechanical failure of the product or of any delay in providing service, repair, replacement.

This limited warranty doesn't apply to refurbished product or unit purchased as/like new or second-hand.

THIS LIMITED WARRANTY IS GIVEN IN LIEU OF ALL OTHER WARRANTIES, EXPRESSED OR INCLUDING THE WARRANTIES OF MERCHANTABILITY AND FITNESS FOR A PARTICULAR PURPOSE.

The remedy provided in this warranty is exclusive and is granted in lieu of all other remedies.

This warranty does not cover incidental or consequential damages, so the above limitations may not apply to you. Some states do not allow limitations on how long an implied warranty lasts, so the above limitations may not apply to you. This warranty gives you specific legal rights, and you may have other rights, which vary from state to state.

Haier America
New York, NY 10018

IMPORTANT

Do Not Return This Product To The Store

If you have a problem with this product, please contact the
"Haier Customer Satisfaction Center" at 1-877-337-3639.

DATED PROOF OF PURCHASE REQUIRED FOR WARRANTY SERVICE

115V, 60 Hz

Made in China

Haier®

**Haier America
New York, NY 10018**

Printed in China