



USER'S GUIDE

V:1409-0319-10



AF100S

Compact fridge

For the most up-to-date version of this User's Guide, go to www.gpx.com

General Safety Precautions

General

- After removing the compact fridge from the package, make sure it is in good condition. If the compact fridge does not appear to be in good condition, do not use it and contact an authorized service center.
- Plastic bags, nails, etc. Should be kept out of the reach of children.
- Read the user's guide carefully and check that the rating data on the rating nameplate corresponds to your power supply.
- This compact fridge can only be used in the way in which it was designed. The manufacturer is not responsible for any damage due to improper use or repairs made by unqualified personnel.
- Before cleaning the refrigerator, make sure it is unplugged. Never clean the unit with an acid preparation, medical, dilution, gasoline, oil or any other kind of chemical substance that could damage the refrigerator.
- Repair should only be made by authorized service centers.

Caution

- To reduce the risk of fire, replace only with same type fuse.
- Free standing installation only.
- Do not use extension cords.
- **DANGER:** Risk of child entrapment. Before discarding your old compact fridge, you must do the following:
 1. Remove the door.
 2. Leave the shelves in place, so that children may not easily climb inside.

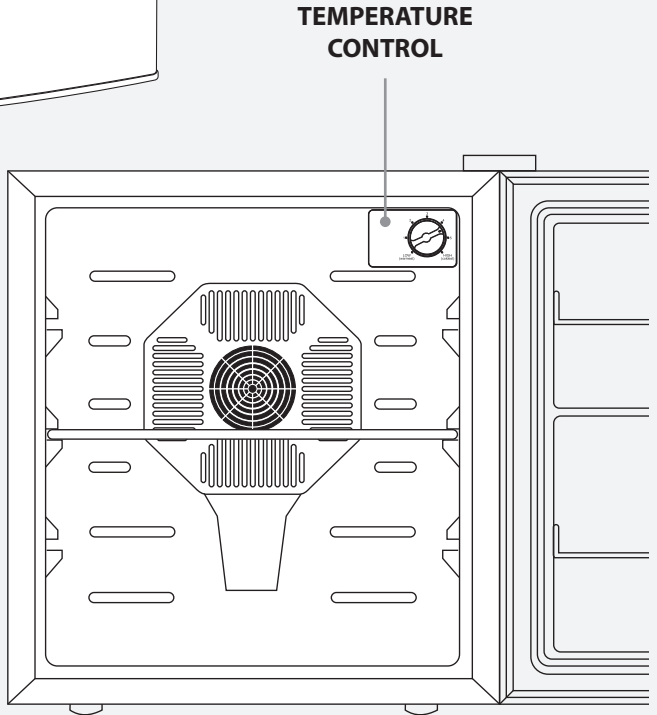
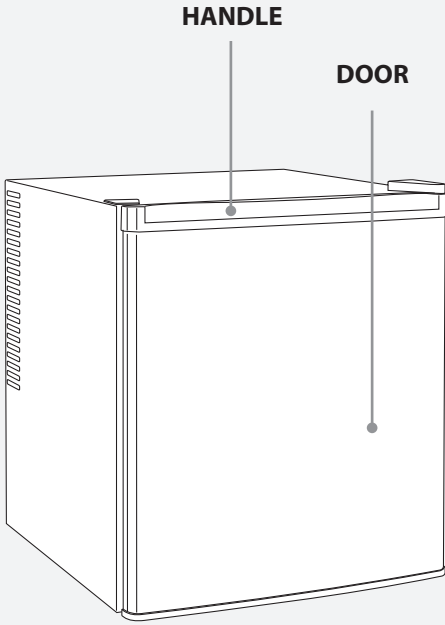
Attention

- Pour réduire les risques d'incendie, utilisez un fusible de rechange de même type
- Installation non encastrée seulement
- N'utilisez pas de prolongateur
- Avant de jeter votre réfrigérateur hors d'usage, nous vous conseillons de démonter la porte et de laisser les clayettes en place. Ces précautions éviteront qu'un jeune enfant puisse sauter à l'intérieur et qu'ensuite il ne puisse pas s'en extraire.

TABLE OF CONTENTS

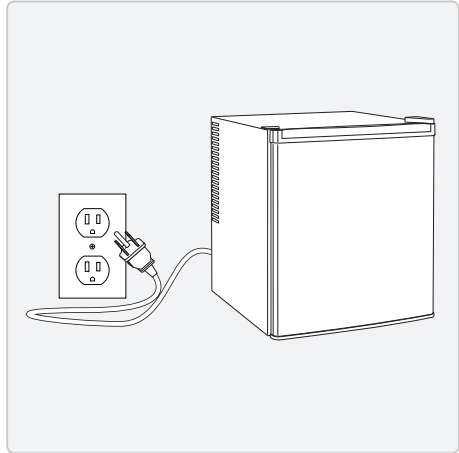
General Safety Precautions	2
• General	
• Caution	
• Attention	
Introduction	4
Setup	5
• Powering the Compact fridge	
• Features	
• Included	
• Placement	
• Door	
Maintenance	6
• Cleaning the Compact fridge	
Troubleshooting	7
Company Information	8
• International Support	
• Contact Information	

Introduction



Powering the Compact fridge

Plug the attached AC cord into a standard AC power outlet to power the compact fridge.



Features

- 48 liter capacity
- State-of-the-art thermoelectric technology
- Mechanical control
- Auto-defrost
- Reversible door
- Adjustable thermostat
- Temperature controller
- Adjustable feet for leveling
- No vibration keeps bottle sediment undisturbed
- Ultra quiet
- Internal fan for air circulation
- Environmentally friendly
- Flush back design

Included

- AF100S
- Warranty card
- User's guide

Placement

For optimal performance, place the compact fridge in a dry (low humidity) environment.

Door

The compact fridge's door can be removed and reconnected so that the hinge can be placed on either side of the compact fridge.

Maintenance

Cleaning the Compact fridge

1. Unplug the compact fridge from the AC power outlet.
2. Ensure that the power has been completely disconnected and that the compact fridge is shut down.
3. Remove the contents of compact fridge, then remove the shelving.
4. The shelving can be hand-washed using soap and water.

The shelving must be dried thoroughly before being placed back into the compact fridge.

5. Wipe down the interior of the compact fridge using a damp cloth.
6. Dry thoroughly and replace the shelving.

Troubleshooting

Problem	Solutions
Refrigerator does not operate.	<ul style="list-style-type: none"> • Not plugged in. • The circuit breaker tripped or a blown fuse.
Refrigerator is not cold enough.	<ul style="list-style-type: none"> • The room temperature is hotter than normal. • The door is opened too often. • The door is not closed completely. • The temperature control is not set correctly. • The door gasket does not seal properly. • The refrigerator does not have the correct clearances. • Abnormal voltage.
The light does not work.	<ul style="list-style-type: none"> • Not plugged in. • The circuit breaker tripped or a blown fuse. • The LED light has burned out.
Vibrations	<ul style="list-style-type: none"> • Check to assure that the refrigerator is level.
The door will not close properly.	<ul style="list-style-type: none"> • The refrigerator is not level. • The door was reversed and not properly installed. • The gasket is dirty. • The shelves, bins, or baskets are out of position.

Company Information

International Support

To download this User's Guide in English, Spanish, or French, visit the support section at www.gpx.com.

Para transferir esta guía de usuario en inglés, español, o francés, visite la sección de la ayuda en www.gpx.com.

Pour télécharger ce guide de l'utilisateur en anglais, espagnol, ou français, visitez la section de soutien chez www.gpx.com.

Contact Information

Address:

2116 Carr Street, St. Louis MO, 63106

Phone:

1-314-621-2881

Fax:

1-314-588-1805

Email:

prodinfo@gpx.com

Parts Email:

partsinfo@dpi-global.com

Website:

www.gpx.com