



USER'S GUIDE
V:1536-0810-10



AW160S

16 Bottle Wine Cooler

For the most up-to-date version of this User's Guide, go to www.gpx.com

General Safety Precautions

General

- After removing the wine cooler from the package, make sure it is in good condition. If the wine cooler does not appear to be in good condition, do not use it and contact an authorized service center.
- Plastic bags, nails, etc. Should be kept out of the reach of children.
- Read the user's guide carefully and check that the rating data on the rating nameplate corresponds to your power supply.
- This wine cooler can only be used in the way in which it was designed. The manufacturer is not responsible for any damage due to improper use or repairs made by unqualified personnel.
- Before cleaning the refrigerator, make sure it is unplugged. Never clean the unit with an acid preparation, medical, dilution, gasoline, oil or any other kind of chemical substance that could damage the refrigerator.
- Repair should only be made by authorized service centers.

Caution

- To reduce the risk of fire, replace only with same type fuse.
- Free standing installation only.
- Do not use extension cords.
- **DANGER:** Risk of child entrapment. Before discarding your old wine cooler, you must do the following:
 1. Remove the door.
 2. Leave the shelves in place, so that children may not easily climb inside.

Attention

- Pour réduire les risques d'incendie, utilisez un fusible de rechange de même type
- Installation non encastrée seulement
- N'utilisez pas de prolongateur
- Avant de jeter votre réfrigérateur hors d'usage, nous vous conseillons de démonter la porte et de laisser les clayettes en place. Ces précautions éviteront qu'un jeune enfant puisse sauter à l'intérieur et qu'ensuite il ne puisse pas s'en extraire.

Technical Data

Volume	48 liters, 16 bottles
Power Consumption	1.0 KW•H/24H (15° C)
Ideal Ambient Temperature	11° C - 30° C
Temperature Range	11° C - 18° C
Rated Voltage	AC 120V
Rated Frequency	60Hz
Current	0.95A
Input Power	70W

16 Bottle Wine Cooler

Features

- 16 bottle/48 liter capacity
- State-of-the-art thermoelectric technology
- Glass door
- Soft interior lighting
- Temperature controller
- Adjustable feet for leveling
- Adjustable shelving
- No vibration keeps bottle sediment undisturbed
- Ultra quiet
- Internal fan for air circulation
- Environmentally friendly
- Flush back design

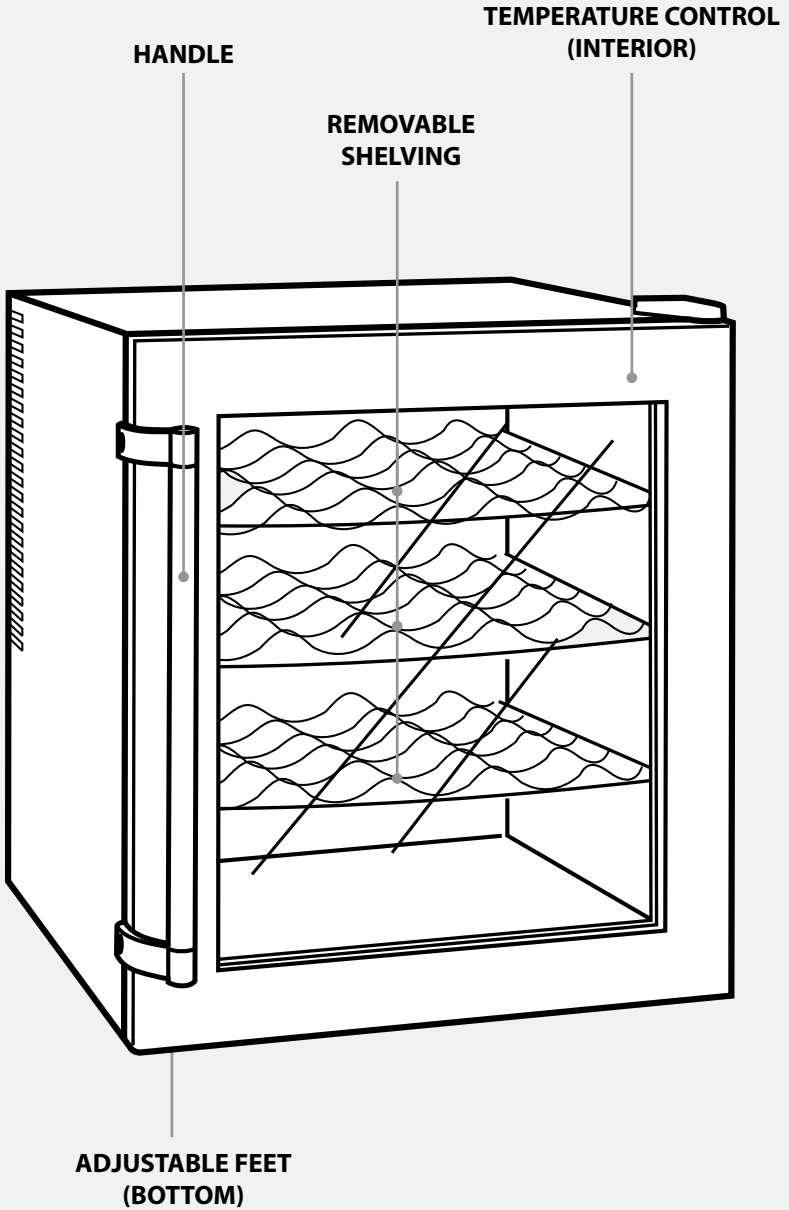
Included

- AW160S
- Door handle
- 2 screw caps
- Warranty card
- User's guide

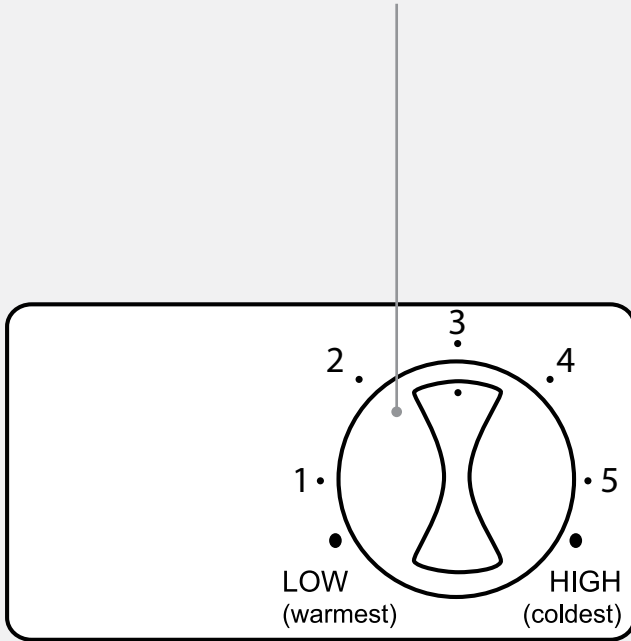
TABLE OF CONTENTS

General Safety Precautions	2
• General	
• Caution	
• Attention	
Technical Data	3
16 Bottle Wine Cooler	4
• Features	
• Included	
Introduction	6
Setup	8
• Powering the Wine Cooler	
• Placement	
• Attaching the Handle	
Maintenance	10
• Cleaning the Wine Cooler	
Troubleshooting	11
Company Information	12
• International Support	
• Contact Information	

Introduction



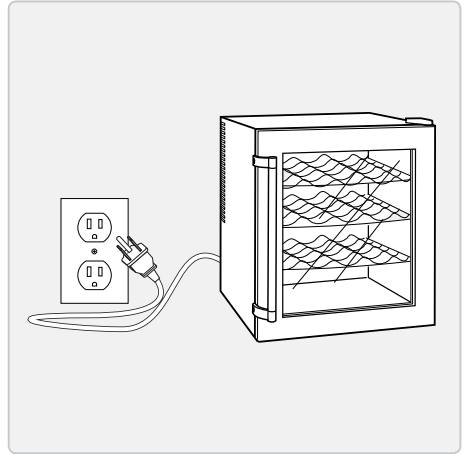
**TEMPERATURE
CONTROL**



Setup

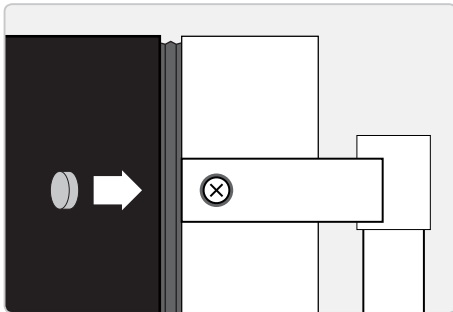
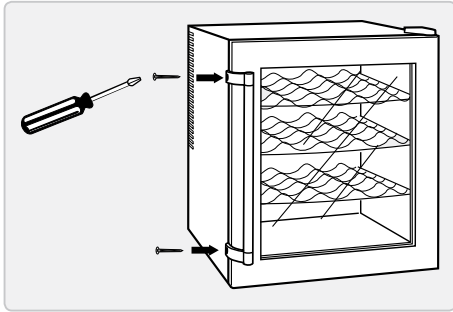
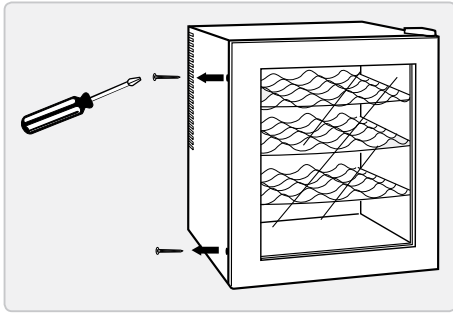
Powering the Wine Cooler

Plug the attached AC cord into a standard AC power outlet to power the wine cooler.



Placement

For optimal performance, place the wine cooler in a dry (low humidity) environment.



Attaching the Handle

Requires a Phillip's head screwdriver (not included)

1. Remove the two screws on the side of the door using the screwdriver.
2. Line the screw holes on the **HANDLE** up with the screw holes on the door.
3. Use the screws removed in step 1 to attach the **HANDLE** to the wine cooler.
4. Use the included screw caps to cover the screw holes on the **HANDLE**.

Maintenance

Cleaning the Wine Cooler

1. Unplug the wine cooler from the AC power outlet.
2. Ensure that the power has been completely disconnected and that the wine cooler is shut down.
3. Remove the contents of wine cooler, then remove the shelving.
4. The shelving can be hand-washed using soap and water.

The shelving must be dried thoroughly before being placed back into the wine cooler.

5. Wipe down the interior of the wine cooler using a damp cloth.
6. Dry thoroughly and replace the shelving.

Troubleshooting

Issue	Possible Cause	Solutions
My wine cooler is not cooling.	<ul style="list-style-type: none"> • The wine cooler is not plugged in 	<ul style="list-style-type: none"> • Follow the instructions for Powering the Wine Cooler.
The wine cooler's temperature isn't cold enough.	<ul style="list-style-type: none"> • The wine cooler has been placed near a source of heat. 	<ul style="list-style-type: none"> • Move the wine cooler away from the heat source.
	<ul style="list-style-type: none"> • The fans aren't working properly. 	<ul style="list-style-type: none"> • Follow the instructions for Powering the Wine Cooler. • Replace the fan.
	<ul style="list-style-type: none"> • The door isn't sealing all the way. 	<ul style="list-style-type: none"> • Check the seal around the door for an obstructions and remove them.

Company Information

International Support

To download this User's Guide in English, Spanish, or French, visit the support section at www.gpx.com.

Para transferir esta guía de usuario en inglés, español, o francés, visite la sección de la ayuda en www.gpx.com.

Pour télécharger ce guide de l'utilisateur en anglais, espagnol, ou français, visitez la section de soutien chez www.gpx.com.

Contact Information

Phone: 1-888-999-4215

Email: prodinfo@gpx.com

Parts Email: partsinfo@dpi-global.com

Website: www.gpx.com