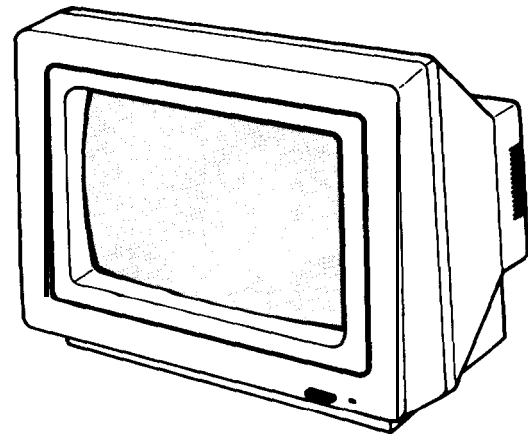


GoldStar

MONOCHROME MONITOR SERVICE MANUAL

CAUTION

BEFORE SERVICING THE CHASSIS, READ THE "SAFETY PRECAUTIONS", IN THIS MANUAL



MODEL: **MBM-2105G/A** (MC-3 CHASSIS)



GoldStar

FEATURES

- 2000 display characters in a 8 x 8 dot format.
- 18 MHz bandwidth, medium class, composite signal input.
- This monitor is compatible with a variety of home and personal computers

CONTROLS LOCATION

The MBM-2105G/A monochrome monitor uses a RCA jack connector.

The input signal is input through the RCA jack connector.

The input signal is based on the composite level.

Figure 2 shows the monitor controls on the front and rear panels.

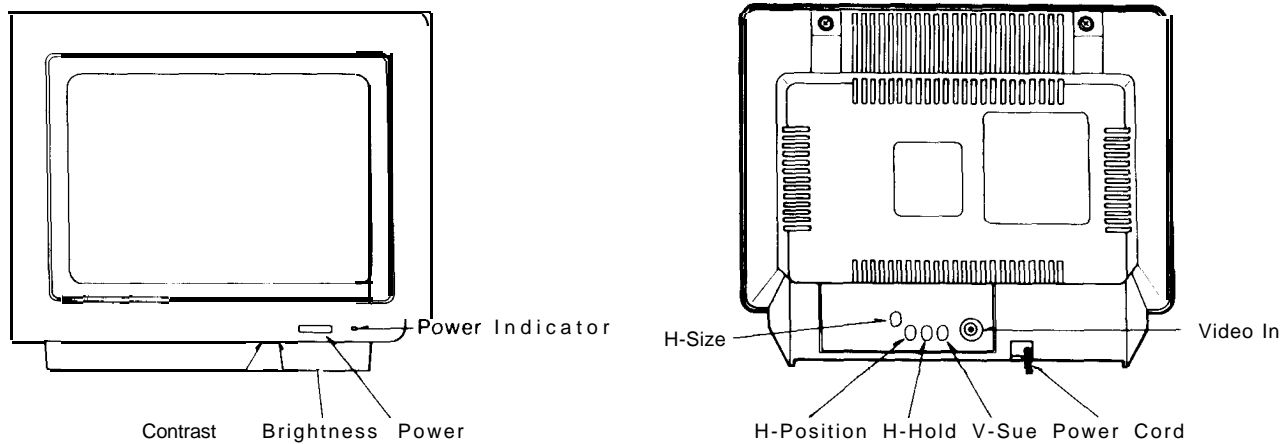


Figure 2, Monitor Controls

NOTE: Monitor cabinet not used on 6300T Models.

● POWER (PUSH-ON)

Turn on the monitor by pressing the power switch. The power indicator lights when the power is ON. Always turn on the monitor before you turn on the computer.

To turn the power OFF, just press this switch again.

● Brightness

Turn this knob clockwise to increase brightness.

● Contrast

Turn this knob **clockwise** to increase contrast.

● V-Size

Turn this knob to adjust the vertical size of the picture.

● H-Hold

Turn this knob to stop horizontal rolling of the picture.

● H-Position

Turn this knob clockwise to move the center of the picture to the right; turn the knob counterclockwise to move the center of the picture to the left.

● H-Size

Turn this knob to adjust the horizontal size of the picture.

CIRCUIT DESCRIPTION

1. VIDEO AMPLIFIER

The Fig. 3 details the cascade video amplifier. Video amplification is provided by the TR303 and TR304. TR303 and TR304 are connected in a cascade configuration. TR303 operates as a common emitter and TR304 operates in the common base configuration. This minimized the miller effect input capacitance and the defining breakdown parameter for TR303 which becomes BV_{CBO} as opposed to BV_{CEO}.

This enables selection of a higher speed/lower breakdown transistor to be used in the video amplifier.

The emitter of TR304 is driven by the collector of TR303 which is a high frequency transistor. Overall voltage gain for the stage is determined by the ratio of R312 to R316. Bandwidth is within 3dB to 32 MHz.

2. POWER SUPPLY

The 120V AC line voltage is applied to the primary of the T901 where it is stepped down through the secondary winding to approximately 17V (AC). After passing through the bridge rectifier circuit and filter (C905) the regulated DC supply voltage is approximately 18V (DC). The 18V unregulated B+ voltage is applied directly to the collector of the B+ regulator (TR901). A voltage divider network (R905, VR901, R906) in which the B+ adjustment control (VR901) is used to establish the desired operating level (12V DC). When AC input voltage variations occur, a correction voltage is produced at the base of TR903 and is coupled directly to the base of the error amplifier (TR902). This correction voltage is then passed from the emitter of TR902 directly to the base of TR901 and B+ voltage regulation is then accomplished.

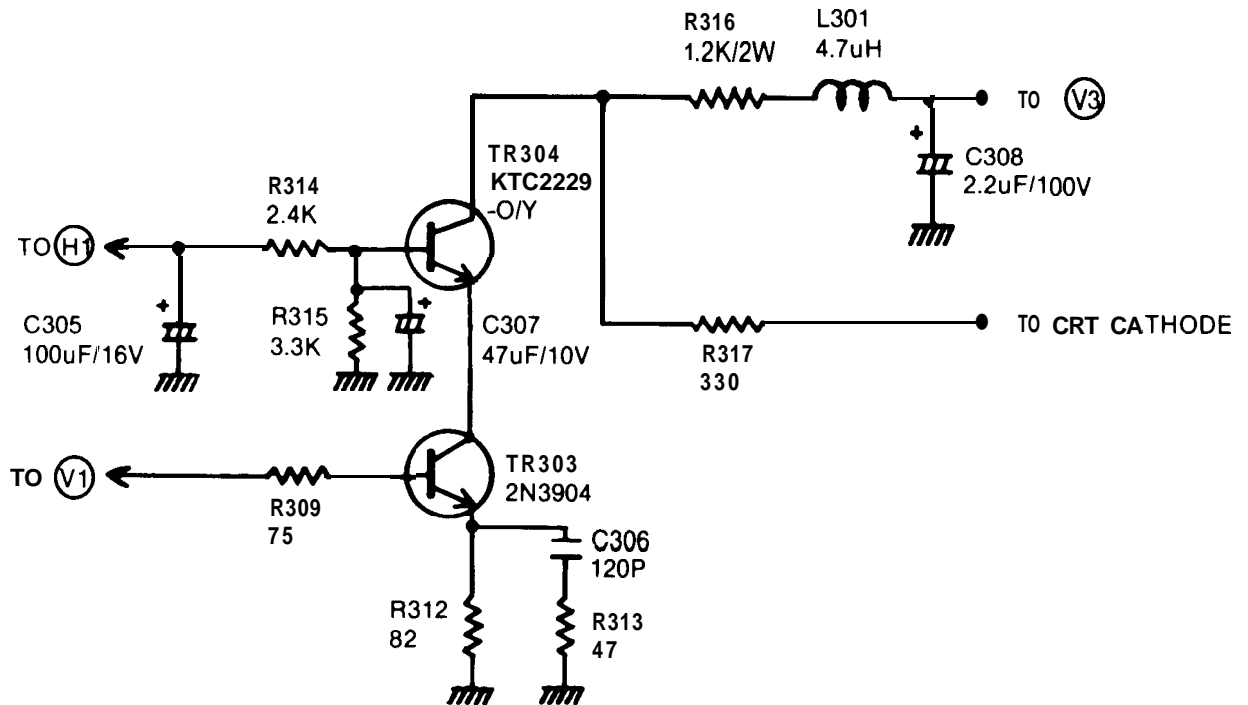


Figure 3, Video Amplifier

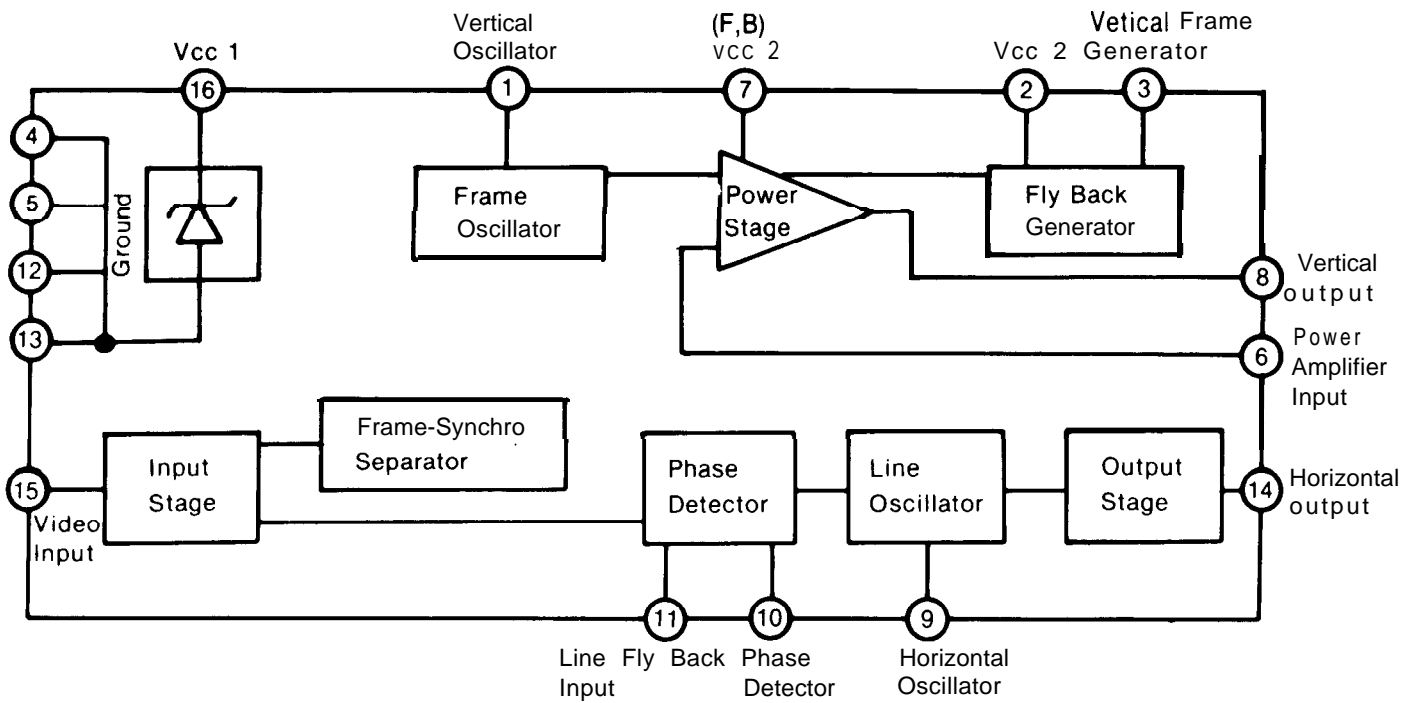
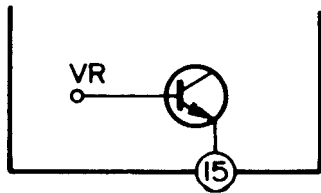


Figure 4, BLOCK DIAGRAM OF THE TEA 2037A

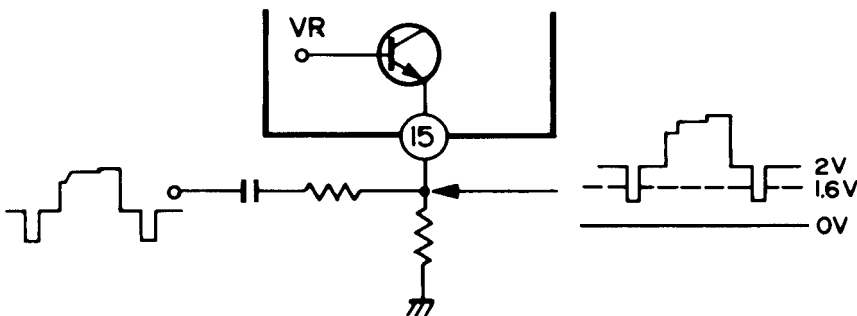
3. COMPOSITE VIDEO INPUT AND HORIZONTAL/ VERTICAL DEFLECTION

3-1 VIDEO INPUT (PIN 15)

The detection level for negative sync pulse at the sync separation input (pin 15) is set at 1.6V. When the voltage at emitter of the Transistor (pin 15) is above 1.6V, the transistor is cut off. Voltage lower than 1.6V enables the transistor to conduct and the internal circuitry is enabled for synchronization function.



3-2 COMPOSITE VIDEO INPUT (PIN 15)



3-3 LINE (H) OSCILLATOR (PIN 9)

The line oscillator is of the type which charges and discharges a capacitor, since a perfectly linear sawtooth wave form is not required. The free running frequency is dependent on C705, R705 and VR702 and is governed by this expression $T_o = 0.85 \times C705 \times R705$ where T_o is the line oscillator free running frequency.

3-4 FRAME(V) OSCILLATOR (PIN 9)

Oscillator thresholds are internally fixed by resistor C601, R603 are used to determine the free-running frequency, the oscillator free-running frequency is given by $T_o = 0.15 \times C601 \times R603$.

ADJUSTMENT

1. REGULATED B + ADJUSTMENT (VR901)

Connect high impedance voltmeter between TR901 emitter and ground rotate the B + adjustment control (VR901) to obtain a reading of $12.0 \pm 0.1V$.

2. FOCUS (VR704)

Adjust the focus control (VR704) for best overall focus of the test pattern (marked with the symbol "%"). Usually the center and corners of the screen do not focus at the same setting and a compromise must be made.

3. VERTICAL SIZE (VR601)

The vertical size control (VR601) should be adjust for the picture to fill the screen vertically.

4. HORIZONTAL SIZE (L703)

The horizontal size control (H-site coil) should be adjusted for the picture to fill the screen horizontally.

5. HORIZONTAL POSITION (VR701)

The horizontal position control (VH701) should be adjusted for the horizontal picture position.

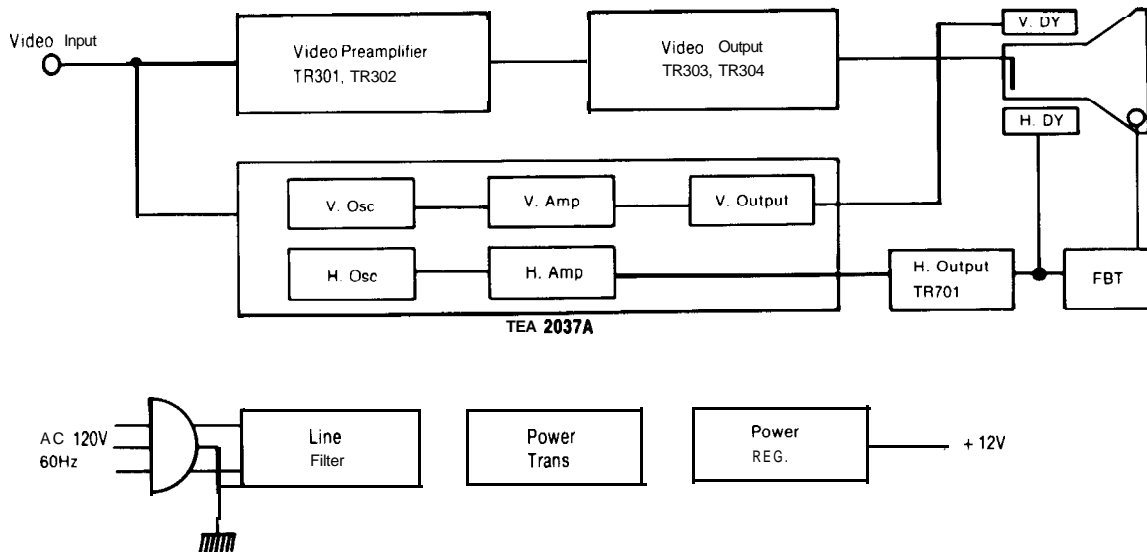
6. SUB-BRIGHT (VR703)

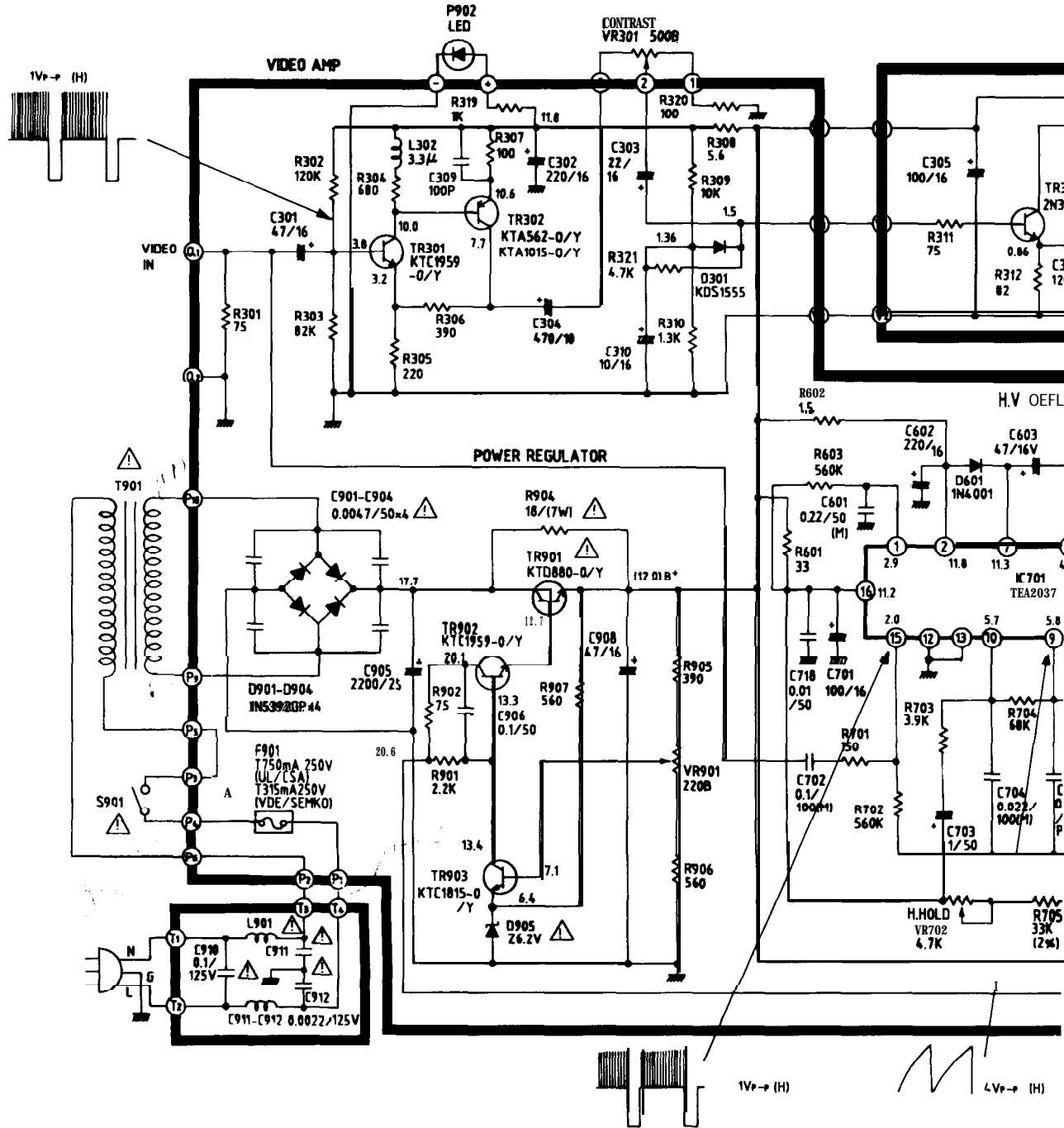
Adjust subbright control (VR703) for visual cut off of the raster when external brightness is turned to maximum

7. CENTERING ADJUSTMENT

It the raster is not centered horizontally and vertically it may be centered by removing the cabinet back and adjusting the centering tabs on the neck of the tube, located at the rear of the deflection yoke. Turn the whole device clockwise or counterclockwise. To increase the amount of raster shift move the two tabs which project from the device farther apart, if raster is tilted on an angle, it may be straightened by loosening the deflection yoke clamp and rotating the deflection yoke.

BLOCK DIAGRAM





- NOTES: 1. RESISTORS ARE SHOWN IN OHMS
 K = 1,000 M = 1,000,000
2. CAPACITORS ARE SHOWN
 IN μ F OTHERWISE NOTED P = μ μ
3. ALL RESISTORS ARE \pm 5%
 TOLERANCE UNLESS OTHERWISE NOTED

▶ IMPORTANT SAFETY NOTICE ▶

THE Δ SYMBOL MARK OF THIS SCHEMATIC DIAGRAM INCOPIES FEATURES IMPORTANT FOR PROTECTION FROM X-RADIA ELECTRICAL SHOCK HAZARDS. WHEN SERVICING IT IS ONLY MANUFACTURER'S SPECIFIED PARTS BE USED F COMPONENTS IN THE Δ SYMBOL MARK OF THE SCHE

A

B

C

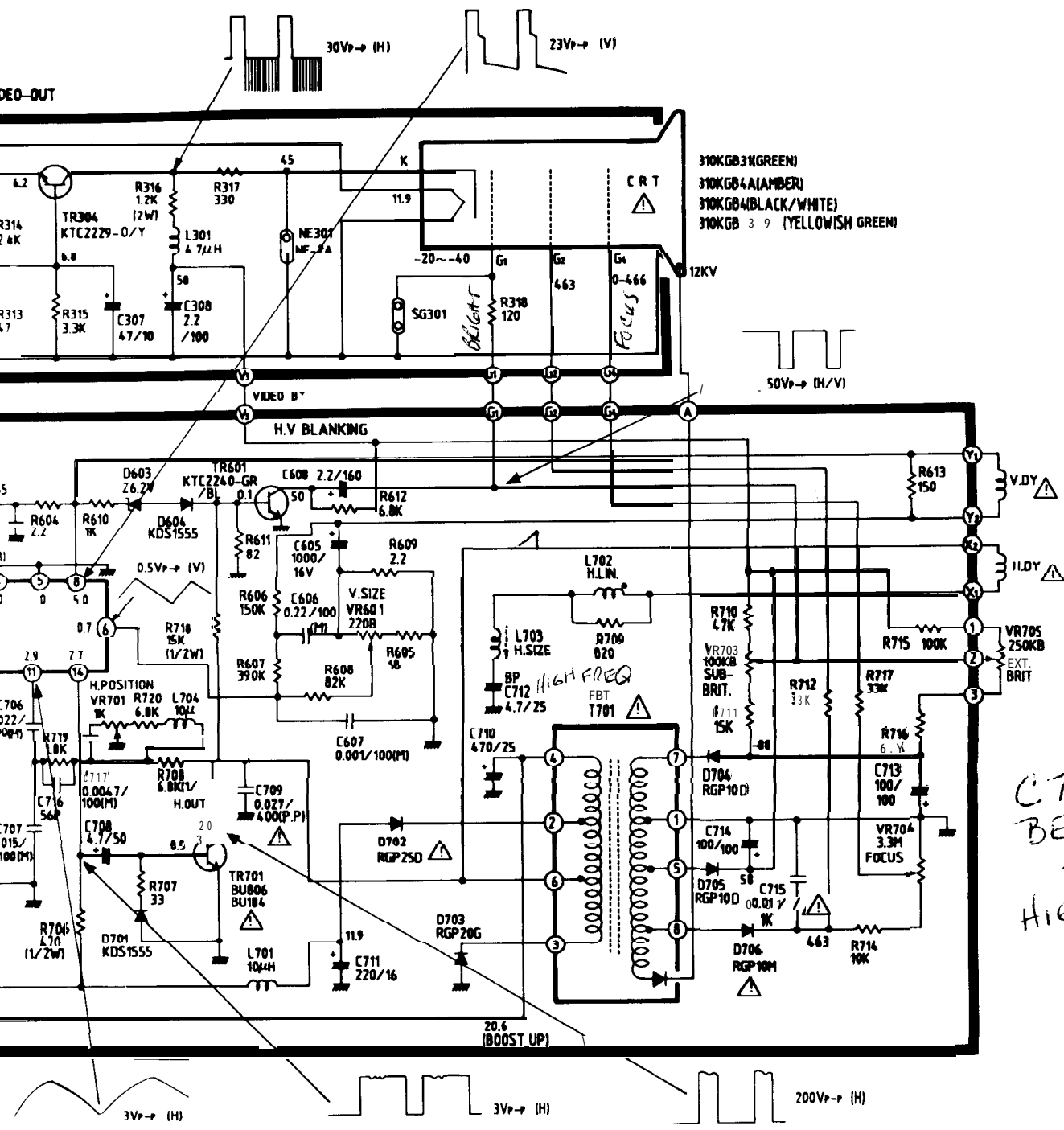
1

4

3

2

DIAGRAM



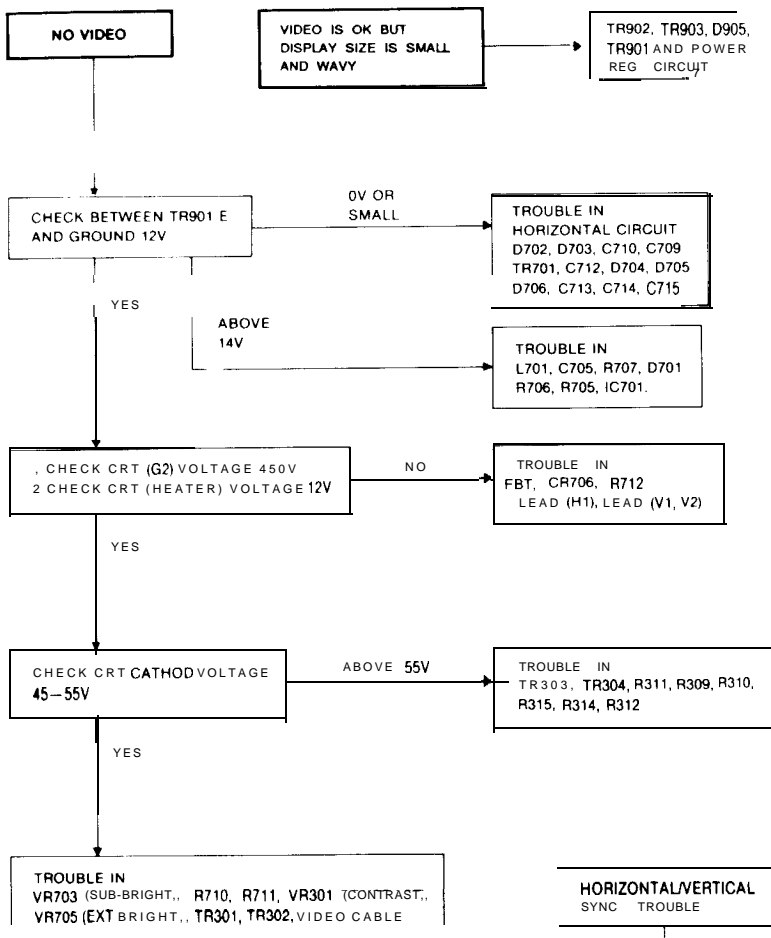
C712 MUST BE BI-POLAR - AND - HIGH FREQ.!

IMPORTANT AVIS SUR LA SÉCURITÉ

LA **Δ** SYMBOLE MARQUE DE CE DIAGRAMME SCHEMATIQUE COMPREND D'IMPORTANTES CARACTÉRISTIQUES SPÉCIALES CONÇUES POUR PROTÉGER DES RAYONS X, ET DES DANGERS D'INCENDIE ET DE SECOURS ÉLECTRIQUES. EN CAS DE BESOIN SI DES PIÈCES DE CETTE **Δ** SYMBOLE MARQUE DOIVENT ÊTRE REMPLACÉES N'UTILISEZ QUE DES PIÈCES SPÉCIFIÉES PAR LE MANUFACTURIER.

484-309A

TROUBLESHOOTING GUIDE



HORIZONTAL/VERTICAL SYNC TROUBLE

TROUBLE IN
IC701, R701, R702,
C702

HORIZONTAL SYNC TROUBLE

TROUBLE IN
R719, C716, R708, R720,
C717, C706, C707, R704

VERTICAL SYNC TROUBLE

TROUBLE IN
IC701

RETRACE LINE TROUBLE

TROUBLE IN
R610, D603, D604, R611,
TR601, R612, C608

**NO VERTICAL DEFLECTION
(ONE HORIZONTAL LINE AT
CRT SCREEN CENTER)**

TROUBLE IN
DY, IC601, R603, C601,
C605, R606, R609, R605,
C607, R608, C606,
VR601, D601

**NO HORIZONTAL DEFLECTION
(ONE VERTICAL LINE AT
CRT SCREEN CENTER)**

TROUBLE IN
DY, C712, L702


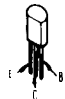

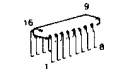
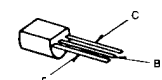
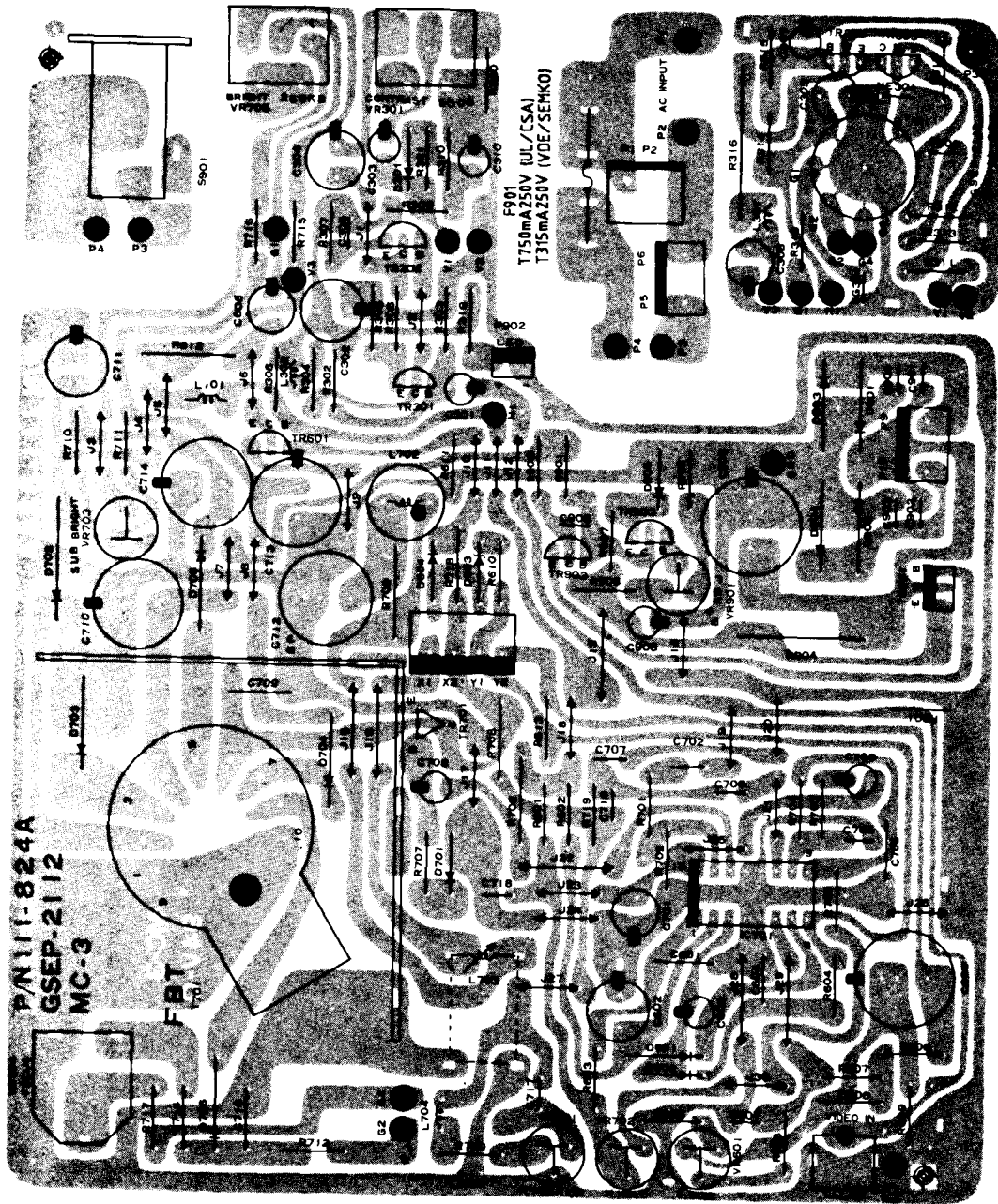
REF. NO.	FIGURE	DESCRIPTION
TR301, TR302, TR902, TR903, TR601		KTC 1015 KTC 1959 KTA 562TM KTC 1815
TR304		KTC 2229
TR701, TR901		B U 806 KTD 880
IC701		TEA 2037A
TR303		2N 3904

Figure 5, TRANSISTOR & IC BASING

PRINTED CIRCUIT BOARD

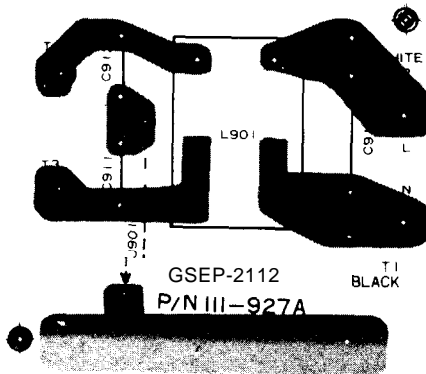
1. MAIN PCB

ASSY PIN: 1 **10-B06C**

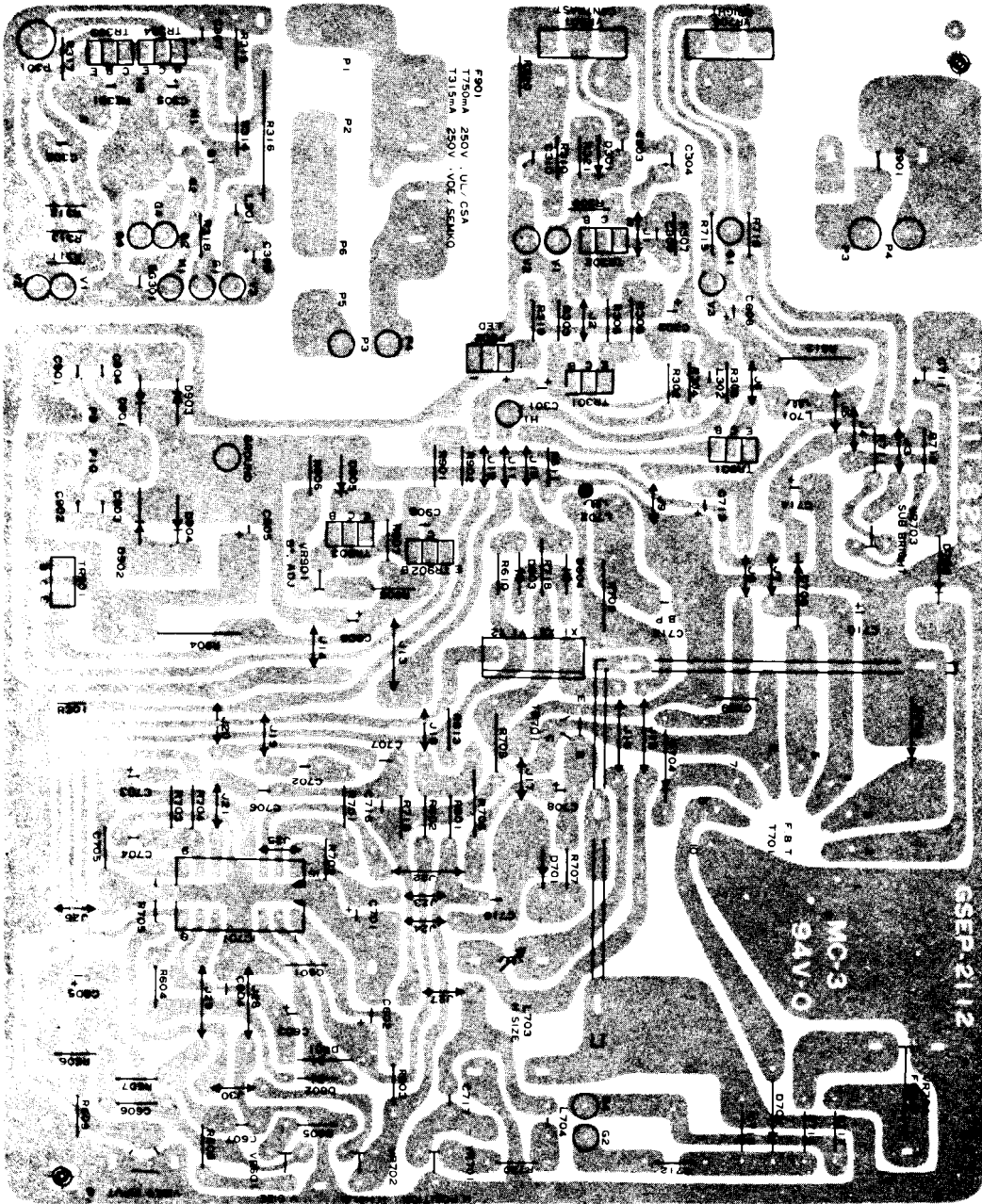


2. LINE FILTER PCB

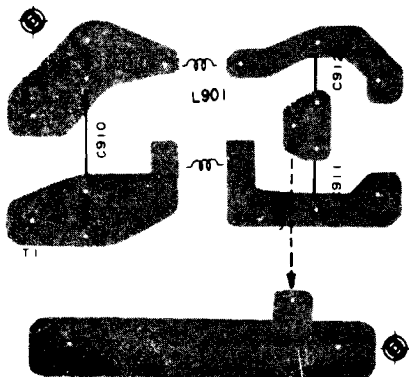
ASSY PIN: **110-B72A**



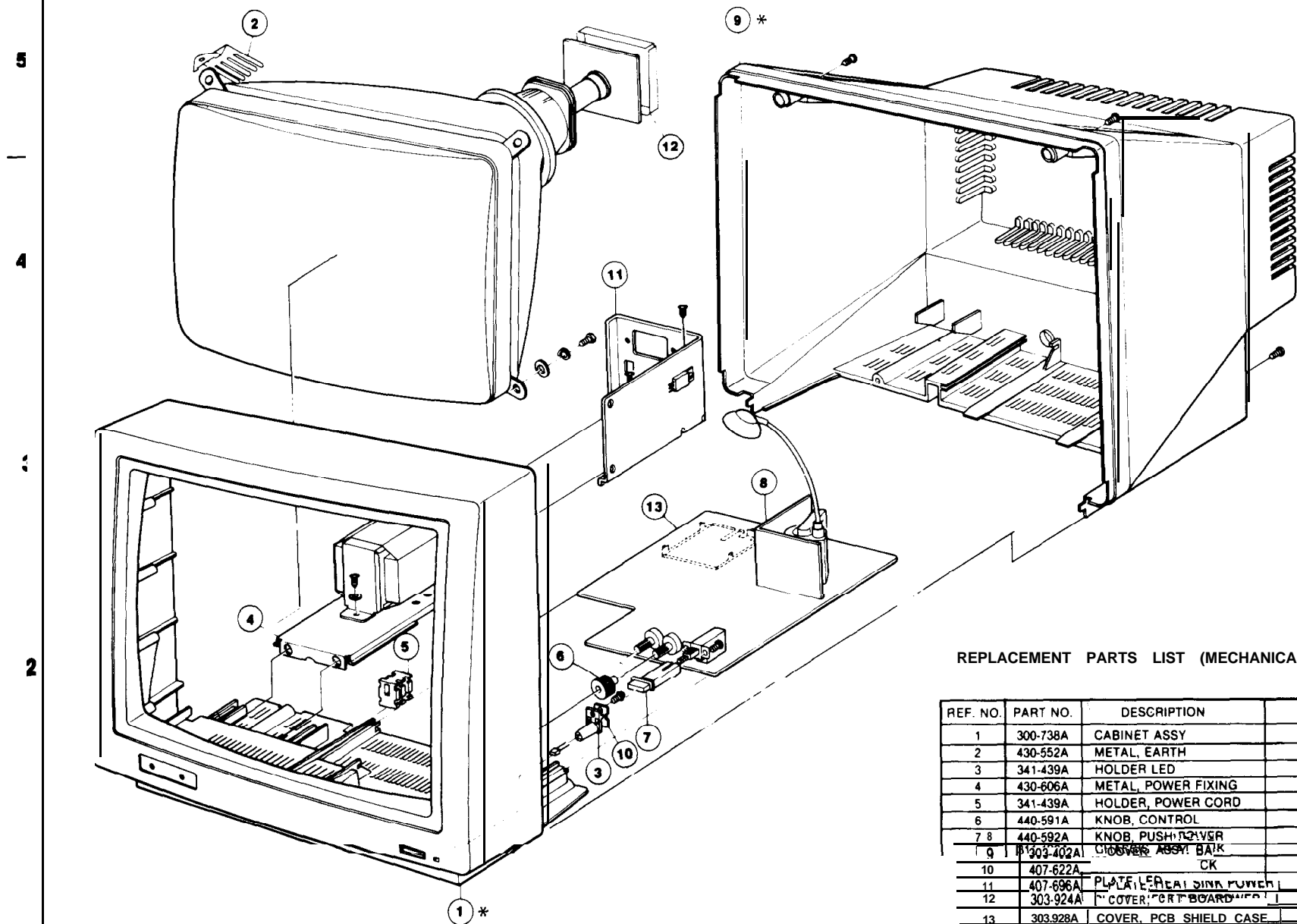
3. MAIN PCB (SOLDER SIDE)



4. LINE FILTER PCB (SOLDER SIDE)



EXPLODED VIEW



REPLACEMENT PARTS LIST (MECHANICAL PARTS)

REF. NO.	PART NO.	DESCRIPTION	REMARK
1	300-738A	CABINET ASSY	
2	430-552A	METAL, EARTH	
3	341-439A	HOLDER LED	
4	430-606A	METAL, POWER FIXING	
5	341-439A	HOLDER, POWER CORD	
6	440-591A	KNOB, CONTROL	
7	440-592A	KNOB, PUSH-OVER	
8	440-592A	KNOB, PUSH-OVER	
9	303-402A	COVER ASSY BALK	
10	407-622A	CK	
11	407-696A	PLATE, REAR SINK POWER	
12	303-924A	COVER, PCB BOARD	
13	303-928A	COVER, PCB SHIELD CASE	

*Outer Cabinet not used on 6300T Models.

A

B

C

D

E

F

REPLACEMENT PARTS LIST

CAUTION: Components identified by the Δ symbols in the PARTS LIST and on the SCHEMATIC DIAGRAM have special characteristics important to safety.
Do not degrade the safety of the set through improper servicing.

ABBREVIATIONS: Capacitors CC: Ceramic (TC), CE: Chemical, CK: Ceramic (Hi-K),
BP: Bipolar, CQ: Mylar, PE: Polyester, PP: Polypropylene
Resistors RD: Carbon Film, RS: Metal Oxide Film

(All CC and Capacitors are $\pm 5\%$, 50 Volts and all resistor, $\pm 5\%$, 1/8W unless otherwise noted).
S: Recommended Service Parts, R: Replacement Service Parts

REF. NO.	PART NO.	DESCRIPTION	REMARK	REF. NO.	PART NO.	DESCRIPTION	REMARK
RESISTOR				R709		RD. 1/8W 820 ohm	R
R301		RD. 1/8W 75 ohm	R	R710		RD. 1/8W 47K ohm	R
Fi302		RD. 1/8W 120K ohm	R	R711		RD. 1/8W 15K ohm	R
R303		RD. 1/8W 82K ohm	R	R712		RD. 1/8W 33K ohm	R
R304		RD. 1/8W 680 ohm	R	R714		RD. 1/8W 10K ohm	R
R305		RD. 1/8W 220 ohm	R	R715		RD. 1/8W 100K ohm	R
R306		RD. 1/8W 390 ohm	R	R716		RD. 1/8W 6 8K ohm	R
R307		RD. 1/8W 100 ohm	R	R717		RD. 1/8W 33K ohm	R
R308		RD. 1/8W 56 ohm	R	R718		RD. 1/8W 15K ohm	R
R309		RD. 1/8W 10K ohm	R	R719		RD. 1/8W 1 8K ohm	R
R310		RD. 1/8W 1 3K ohm	R	R720		RD. 1/8W 6 8k ohm	R
R311		RD. 1/8W 75 ohm	R	R901		RD. 1/8W 2 2K ohm	R
R312		RD. 1/8W 82 ohm	R	R902		RD. 1/8W 75K ohm	R
R313		RD. 1/8W 47 ohm	R	A R904		RWR, 7W 18 ohm	S
R314		RD. 1/8W 2 4K ohm	R	R905		RD. 1/8W 390 ohm	R
R315		RD. 1/8W 3 3K ohm	R	R906		RD. 1/8W 560 ohm	R
R316		RD. 2W 1 2K ohm	R	R907		RD. 1/8W 560 ohm	R
R317		RD. 1/8W 330 ohm	R	VR301		VARIABLE 500B	S
R318		RD. 1/8W 120 ohm	R	VR601		SEMIFIX SR 29R 2208	S
R319		RD. 1/8W 1 0K ohm	R	VR701		SEMIFIX SR 29R 1KB	S
R320		RD. 1/8W 100 ohm	R	VR702		SEMIFIX SR 29R 4 7KB	S
R321		RD. 1/8W 4 7K ohm	R	VR703		SEMIFIX S R 19R 100KB	S
R601		RD. 1/8W 33 ohm	R	VR704		SEMIFIX H162IC 3 3MB	S
R602		RD. 1/8W 1 5 ohm	R	VR705		VARIABLE 250KB	S
R603		RD. 1/8W 560K ohm	R	VR901		SEMIFIX SR 19R 2208	S
R604		RD. 1/8W 2 2 ohm	R	CAPACITOR			
R605		RD. 1/8W 18 ohm	R	C301		CE, 47uF 16V	R
R606		RD. 1/8W 150K ohm	R	C302		CE, 220uF 16V	R
R607		RD. 1/8W 390K ohm	R	C303		CE, 22uF 16V	R
R608		RD. 1/8W 82K ohm	R	C304		CE, 470uF 10V	R
R609		RD. 1/8W 2 2 ohm	A	C305		CE. 100uF 16V	R
R610		RD. 1/8W 1 0K ohm	R	C306		CC, 120pF 50V	R
R611		RD. 1/8W 82 ohm	R	C307		CE, 47uF 10V	R
R612		RD. 1/8W 6 8K ohm	R	C308		CE, 22uF 100V	R
R613		RD. 1/8W 150 ohm	R	C309		CC, 100pF 50V	R
R701		RD. 1/8W 150 ohm	R	C310		CE, 10uF 16V	R
R702		RD. 1/8W 560K ohm	R	C601		CO. 0 22uF 100V	S
R703		RD. 1/8W 3 9K ohm	R	C602		CE. 220uF 16V	R
R704		RD. 1/8W 47K ohm	R	C603		CE. 47uF 16V	R
R705		RD. 1/8W 33K ohm $\pm 2\%$	R	C604		CO, 0 1uF 100V	S
R706		RD. 1/8W 470 ohm	R	C605		CE. 1000uF 16V	R
R707		RD. 1/8W 33 ohm	R	C606		CO, 0 22uF 100V	S
R708		RD. 1/2W 6 8K ohm	R	C607		CO, 0.001uF 100V	R

REF. NO.	PART NO.	DESCRIPTION	REMARK
C608		CE, 2 2uF 160V	R
C701		CE, 100uF 16V	R
C702		CO, 0 1uF 100V	S
c 703		CE, 1 0uF 25V	R
C704		CO, 0 0022uF 100V	R
C705		PP 0 0022uF 200V	S
C 706		CO, 0 0022uF 100V	R
C707		CO, 0 015uF 100V	R
C708		CE, 4 7uF 25V	R
A C709		PP, 0 027uF 400V	S
C710		CE, 470uF 25V	R
C711		CE, 220uF 16V	R
C712		BP, 4 7uF 25V	S
C713		CE, 100uF 100V	R
C714		CE, 100uF 100V	R
A C715		CK, 0 01uF 1000V	R
C716		CC, 56pF 50V	R
c717		CO, 0 0047uF 100V	R
C718		CK, 0 01uF 50V	R
C901		CK, 0 0047uF 50V	R
C902		CK, 0 0047uF 50V	R
C903		CK, 0 0047uF 50V	R
C904		CK, 0 0047uF 50V	R
C905		CE, 2200uF 25V	R
C906		CK, 0 1uF 50V	R
C908		CE, 47uF 16V	R
A C910		MPP, 0 1uF 125V	S
A C911		CK, 0 0022uF 125V	S
A C912		CK, 0 0022uF 125V	S
I c.			
IC701	06300159	TEA 2037A	S
DIODE			
D301		KDS1555	S
D601		1 N4002	S
D602	19-0053	KDSI555	S
A D603	19-0052	ZENER BZX83-C6V2	S
D604		KDS1555	S
D701		KDS1555	S
A D702	19-0051	RGP25D	S
D703	19-0050	RGP20G	S
D704		RGP10D	S
D705	19-0049	RGPIOD	S
A D706	19-0048	RGP10M	S
A D901	19-0047	1N5392GP	S
A 0902		1N5392GP	S
A D903		1N5392GP	S
A D904		1N5392GP	S
A D905		ZENER BZX83-C6V2	S
P902		LED (GREEN)	S
TRANSISTOR			
TR301	19-0046	KTC 1959-Y	S
TR302	19-0045	KTA562 TM-Y	S
TR303		2N3904	S
TR304	19-0044	KTC2229-Y	S
TR601		KTC2240-GR	S
A TR701		BU806	S

REF. NO.	PART NO.	DESCRIPTION	REMARK
Δ TR901		KTD880-O	S
TR902		KTC1959-Y	S
TR903	19-0043	KTC1815-Y	S
COIL			
L301	20-0040	PEAKING PL 4 7uH	S
L302	20-0039	PEAKING PL 3 3uH	S
L701		CHOKE 10uH	S
L702		H-LINEARITY	S
L703		COIL WIDTH	S
L704	20-0038	PEAKING PL 10uH	S
A L901		LINE FILTER	S
MISCELLANEOUS			
Δ		CRT, 310KGB31 (Green)	S
A	1 I-0023	CRT, 310KGB4A (Amber)	S
A T701		FBT	S
A		DY ASSY	S
		PCB MAIN	S
A F901	07-0009	FUSE 0 75A/250V	S
A S901		SWITCH, POWER	S
NE301		NEON LAMP 95V	S
SG301		SPARK GAP	R
VIDEO IN		JACK, RCA PHONE	R
SIGNAL		RCA TO RCA CABLE	R
CABLE			
V1, v2		SOCKET CRT	R
		WIRE ASSY SHIELD	R
		TRANS. POWER SHIELD	S
		PWB LINE FILTER	S
		AC POWER CORD	R
		PC BOARD COMPL. W/TRAY	R
		CONNECTOR ASSY FOR TR901	R
		CONNECTOR ASSY FOR LED	R
PRINTED MATTERS			
		KIT, PRINTING	R
		OWNER'S MANUAL	R
		PIN. STAPLE NO 10	R
		BAG, PE	R
FLYBACK 37072			