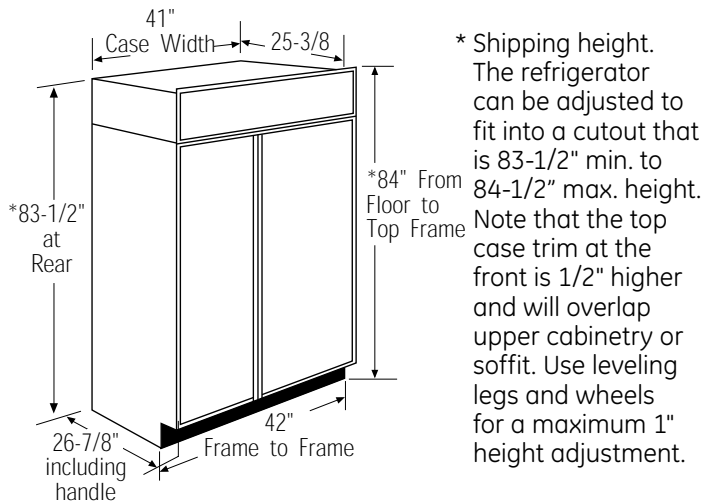


# ZIS420NX

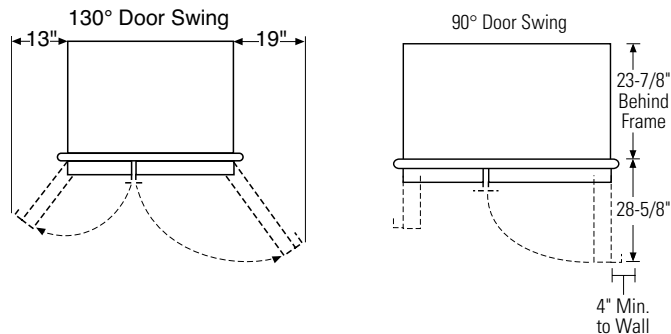
## GE Monogram® 42" Built-In Side-by-Side Refrigerator

### Dimensions and Installation Information (in inches)



### Product Clearances

These refrigerators are equipped with a 2 position door stop. The factory set 130° door swing can be adjusted to 90° if clearance to adjacent cabinets or walls is restricted.



Allow minimum clearances for freezer door and fresh food door for a full 130° door swing and to allow for pan removal.

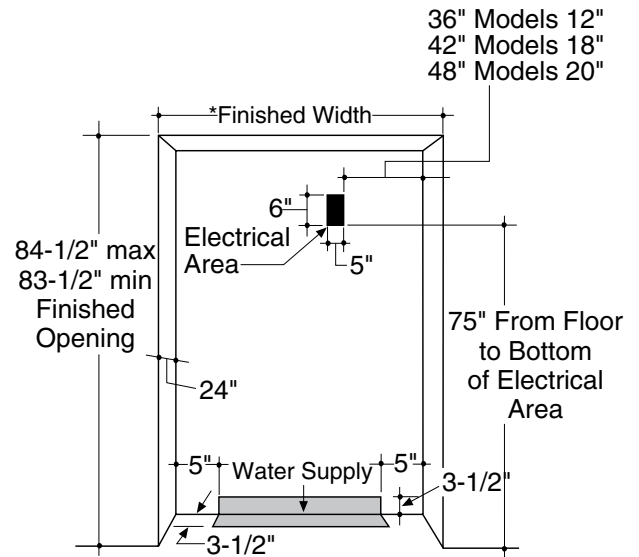
4" minimum clearance is required when door swing is adjusted to 90°. If the 90° door stop position is used, pan access is maintained, but pan removal is restricted.

**Installation Information: Before installing, consult installation instructions packed with product, or online at [Monogram.com](http://Monogram.com), for current dimensional data.**

For answers to your Monogram®, GE Profile™ or GE® appliance questions, visit our website at [ge.com](http://ge.com) or call GE Answer Center® service, 800.626.2000.



### The Installation Space



### Water and electrical locations

The opening must be prepared with the electrical and water supply located as shown.

### The cutout depth must be 24"

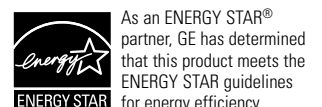
The refrigerator will project forward, slightly beyond adjacent cabinetry, depending on your installation.

### The cutout depth beneath a soffit:

When installed beneath a soffit, the soffit cannot exceed the 24" installation depth shown. The top case trim overlaps the bottom of the soffit.

### Additional Specifications

- A 115 volt 60Hz., 15 or 20 amp power supply is required. An individual properly grounded branch circuit or circuit breaker is recommended. Install a properly grounded 3-prong electrical receptacle recessed into the back wall. Electrical must be located on rear wall as shown.
- Note:** GFI (ground fault interrupter) is not recommended.
- Water line can enter the opening through the floor or back wall. The water line should be 1/4" O.D. copper tubing or GE SmartConnect™ kit between the cold water line and water connection location, long enough to extend to the front of the refrigerator. Installation of an easily accessible shut off valve in the water line is recommended.



# ZIS420NX

## GE Monogram® 42" Built-In Side-by-Side Refrigerator

### Dimensions and Installation Information (in inches)

#### Customization Basics: Framed or Overlay Panels, Custom Handles and Accessory Kits

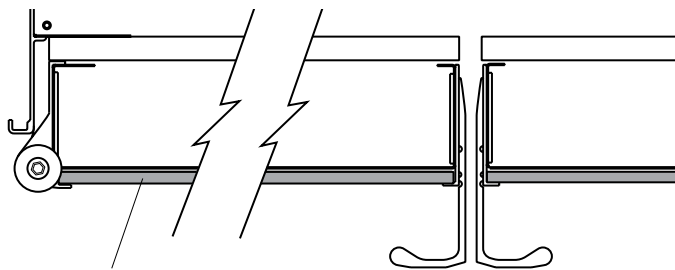
#### Trimmed Refrigerators

##### ZIS420NXSS, ZISW420DXSS, ZISB420DXSS

Trimmed refrigerators are designed to be customized with decorative panels. Field-installed custom door and grille panels are required.

#### Framed Panels

You may install 1/4"-thick custom panels from your cabinet manufacturer. The decorative panels slide into the factory-installed trim. Or, order black, white and stainless steel accessory panels from your Monogram dealer.

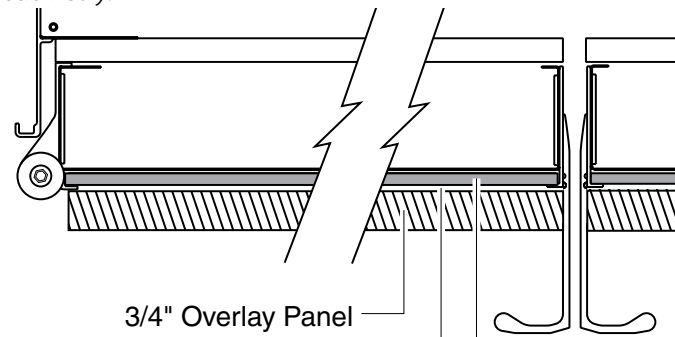


Framed Panel

Standard supplied handles shown in 1/4" panel position.

#### Overlay Panels

You may also choose to install custom overlay panels from your cabinet manufacturer. This design provides a seamless appearance which integrates smoothly with surrounding cabinetry.



3/4" Overlay Panel

.10" Thick Spacer Panel

1/4" Thick Backer Panel

Standard supplied handles shown in 3/4" overlay panel position.

For answers to your Monogram,® GE Profile™ or GE® appliance questions, visit our website at [ge.com](http://ge.com) or call GE Answer Center® service, 800.626.2000.



imagination at work

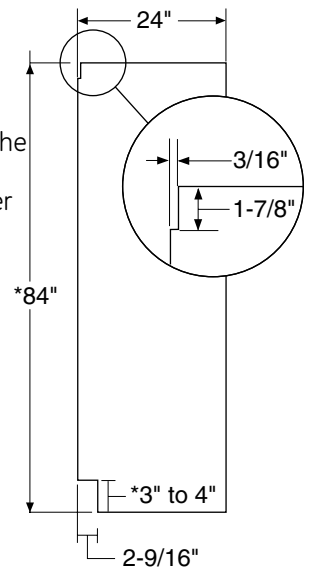
#### Door Handles

The supplied handles can be adjusted to accommodate both framed or overlay panels. Custom handles of your choice, supplied by your cabinet maker, can also be installed. If desired, you may order ZKHSS2 Monogram stainless steel tubular handle kit for overlay panels.

#### Side Panels

Side panels must be used whenever the sides of the refrigerator will be exposed. The 1/4" side panels will slip into the side case trim. Secure the panels to the refrigerator with stick-on hook and loop fastener strips. Order the side panels from the cabinet manufacturer.

- Cut a notch in the top front corner as shown to allow clearance for corner keys in the front side trim.



\*Depending on installation height.

#### Optional Accessory Kit

ZKHSS2: Tubular Stainless Steel handles designed to fit 3/4" overlay panels.

#### Accessory Panels

White or black acrylic and stainless steel accessory panels are available from your Monogram supplier. Panels are cut to size and ready to install. These panel kits must be ordered separately.

Models	White Acrylic	Black Acrylic	Stainless Steel
ZISW420D	ZPW420D		ZPS420D
ZISB420D		ZPB420D	ZPS420D
ZIS420N	ZPW420N	ZPB420N	ZPS420N



Listed by Underwriters Laboratories



As an ENERGY STAR® partner, GE has determined that this product meets the ENERGY STAR guidelines for energy efficiency.

# ZIS420NX

## GE Monogram® 42" Built-In Side-by-Side Refrigerator

### Dimensions and Installation Information (in inches)

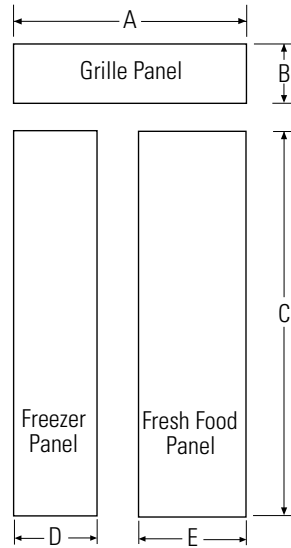
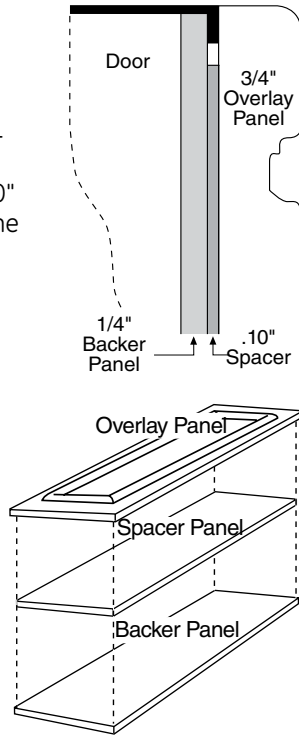
#### 3/4" Overlay Panel Dimensions

For a more custom appearance, overlay panels may be installed on trimmed models. The overlay panel must be secured to a 1/4"-thick backer panel which slides into the trim. A spacer panel 0.10" thick must be placed between the overlay and backer panels.

$$.250" + .10" + .750" = 1.100" \text{ Total Panel Thickness}$$

Center each panel over the other. Assemble the panels with glue and screws. Screws must be countersunk into the backer panel.

**NOTE:** Left-to-right offset is not always equal to top-to-bottom offset.



**Important Note:** Maximum total panel weight:

- Fresh food door panel – 75 lbs.
- Freezer door panel – 53 lbs.
- Grille panel – 18 lbs.

#### 42" Side-by-Side (in inches)

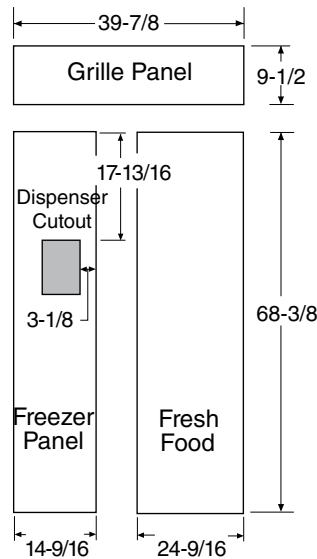
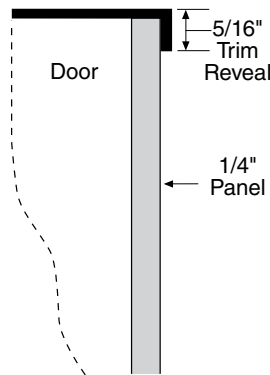
	A	B	C	D	E
1/4" Backer Panel	39-7/8	9-1/2	68-3/8	14-9/16	24-9/16
.10" Spacer Panel	39	8-5/8	67	13-1/4	23-1/4
3/4" Spacer Panel	40-1/8	9-3/4	68-5/8	14-13/16	24-13/16

#### 1/4" Framed Panel Dimensions

If you choose to install framed panels, they must be cut to the dimensions shown. The panels will slide into the frame on the door and grille.

If the custom panel is less than 1/4" thick, and it fits loosely in the door frame, it can be backed up with a piece of filler material or foam tape to improve the fit.

**Important Note:** Maximum weight for fresh food panel is 50 pounds and 30 pounds for freezer panel.



For answers to your Monogram®, GE Profile™ or GE® appliance questions, visit our website at [ge.com](http://ge.com) or call GE Answer Center® service, 800.626.2000.



imagination at work



Listed by Underwriters Laboratories



As an ENERGY STAR® partner, GE has determined that this product meets the ENERGY STAR guidelines for energy efficiency.

# ZIS420NX

## GE Monogram® 42" Built-In Side-by-Side Refrigerator

### Dimensions and Installation Information (in inches)

#### Advance Planning for Built-In Custom Side-by-Side Refrigerators

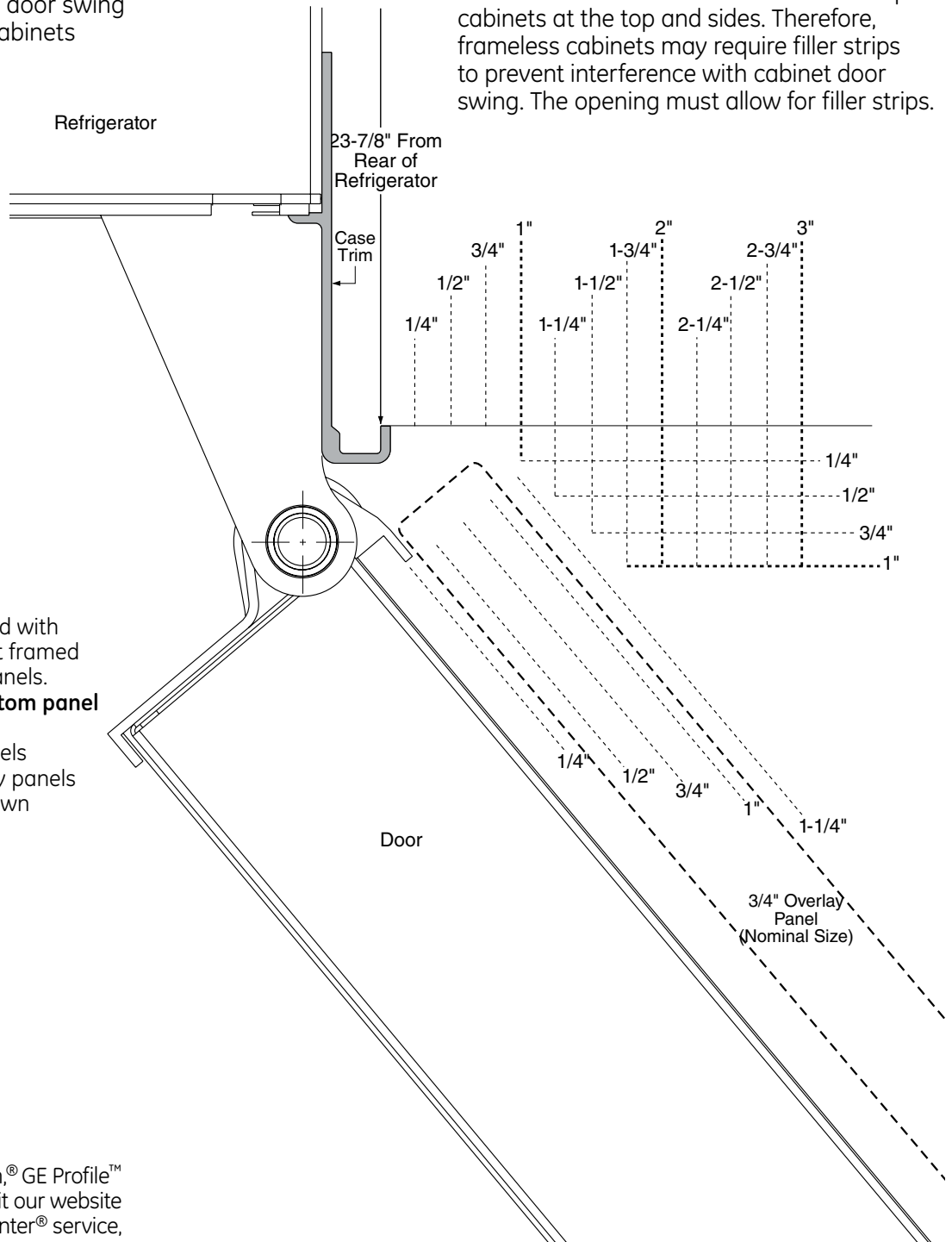
Use this page to determine door swing interaction with adjacent cabinets or countertops.

**Frameless Cabinets:** The case trim overlaps cabinets at the top and sides. Therefore, frameless cabinets may require filler strips to prevent interference with cabinet door swing. The opening must allow for filler strips.

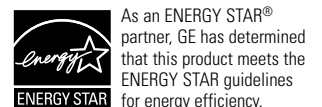
**Top View**  
**130° Door Swing**  
**(Factory setting)**  
**Scale 1:1**

#### IMPORTANT NOTE – FOR DISPENSER MODELS

Dispenser models are supplied with two dispenser trims, one to fit framed panels and one for overlay panels. **Dispenser trim fit to the custom panel depends on correct panel thickness.** Framed panels must be 1/4" nominal. Overlay panels should be constructed to accomplish a total 1.100" thickness.



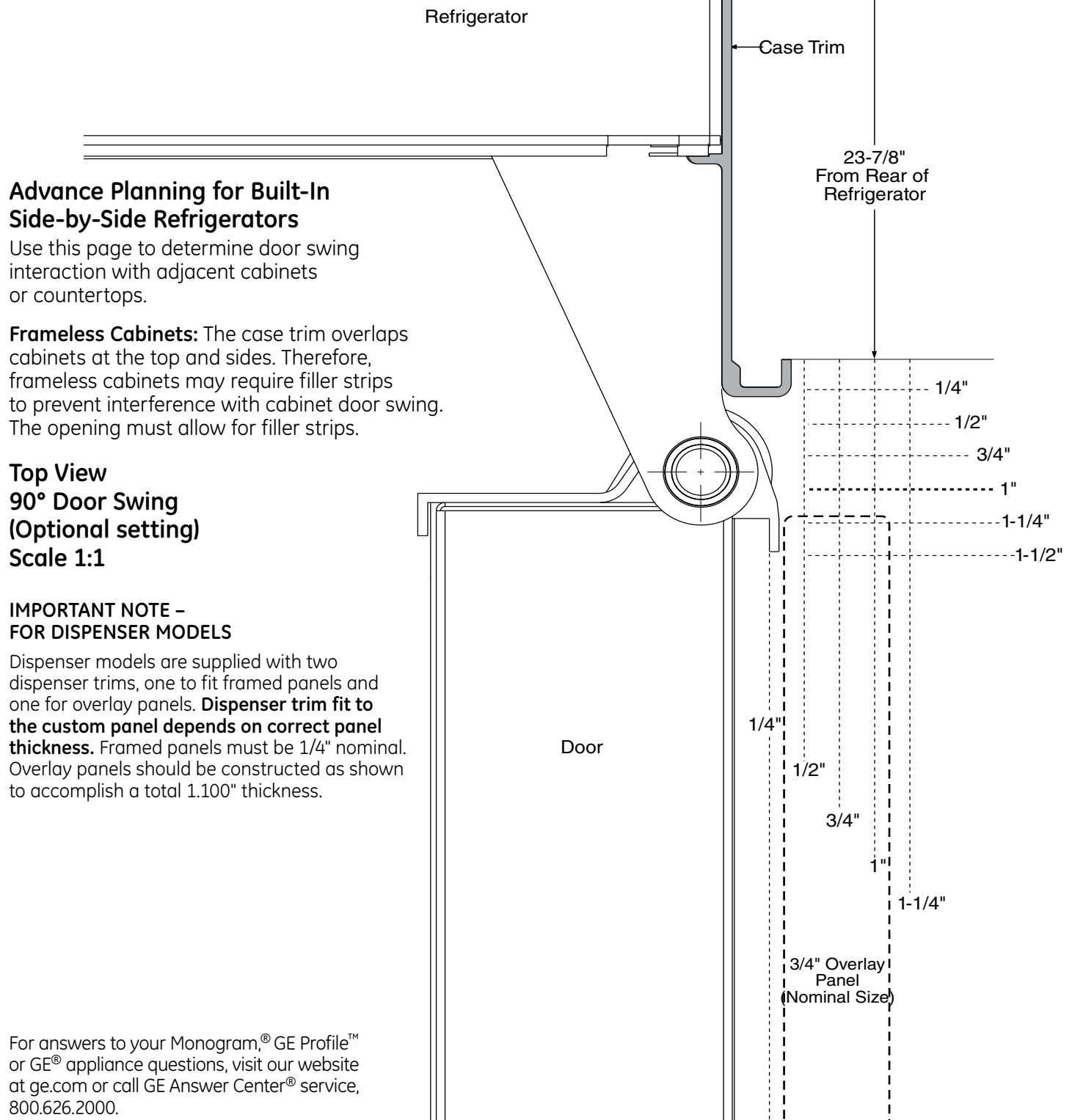
For answers to your Monogram,® GE Profile™ or GE® appliance questions, visit our website at [ge.com](http://ge.com) or call GE Answer Center® service, 800.626.2000.



# ZIS420NX

## GE Monogram® 42" Built-In Side-by-Side Refrigerator

Dimensions and Installation Information (in inches)



### Advance Planning for Built-In Side-by-Side Refrigerators

Use this page to determine door swing interaction with adjacent cabinets or countertops.

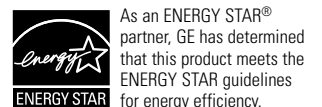
**Frameless Cabinets:** The case trim overlaps cabinets at the top and sides. Therefore, frameless cabinets may require filler strips to prevent interference with cabinet door swing. The opening must allow for filler strips.

**Top View**  
**90° Door Swing**  
**(Optional setting)**  
**Scale 1:1**

### IMPORTANT NOTE – FOR DISPENSER MODELS

Dispenser models are supplied with two dispenser trims, one to fit framed panels and one for overlay panels. **Dispenser trim fit to the custom panel depends on correct panel thickness.** Framed panels must be 1/4" nominal. Overlay panels should be constructed as shown to accomplish a total 1.100" thickness.

For answers to your Monogram®, GE Profile™ or GE® appliance questions, visit our website at [ge.com](http://ge.com) or call GE Answer Center® service, 800.626.2000.

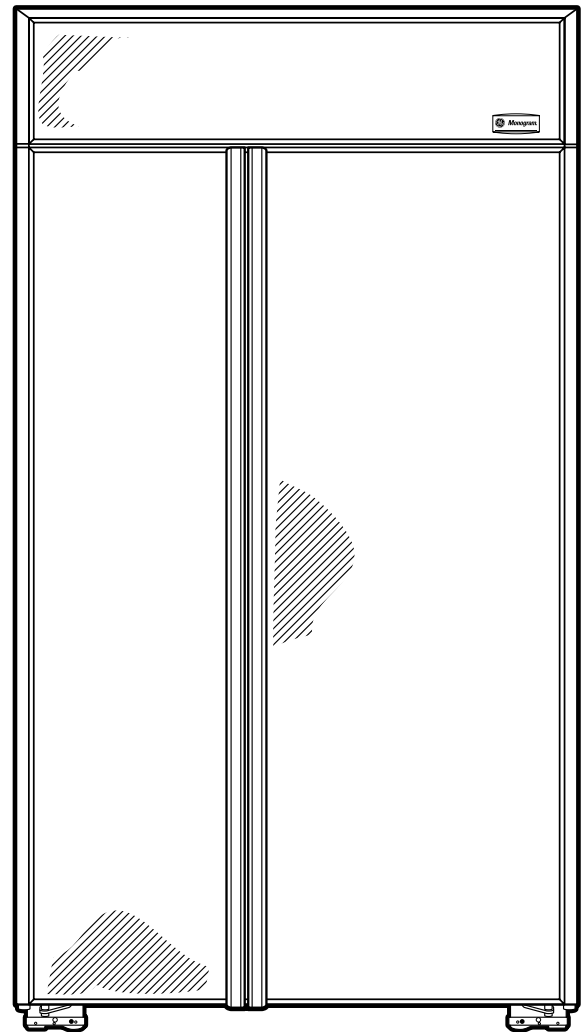


# ZIS420NX

## GE Monogram® 42" Built-In Side-by-Side Refrigerator

### Features and Benefits

- Halogen Light Columns - Located in the freezer and fresh food compartments, extend the full length of the interior compartments providing brilliant, all-level illumination
- LED Lighting - Located at the top of the fresh food compartment, and inside the high-humidity and climate-control drawers, illuminates contents without compromising space
- Advanced Temperature Management System with Multi-Shelf Air Tower - Provides even distribution of air throughout the refrigerator
- Climate-Control Drawer - Allows you to express-chill beverages, express-thaw meats and select specific temperatures for perishable foods
- Humidity-Controlled Vegetable Drawer - Helps preserve the freshness of foods
- Gallon-Size Door Bin - Holds milk containers, two-liter bottles and pitchers
- Adjustable Spillproof Glass Shelves - Easily accommodate party trays and platters
- Drop-Down Shelf - Provides additional space for a casserole dish or pizza box
- Adjustable Deli Drawer on Full-Extension Slides - Keeps meats, cheeses and other everyday foods within easy reach
- Dairy Bin with Center Divider - Has a unique magnetic seal that locks in freshness
- Adjustable Door Bins - Can be moved to one of two positions in seven locations
- Model ZIS420NX - Non-dispenser model



For answers to your Monogram®, GE Profile™ or GE® appliance questions, visit our website at [ge.com](http://ge.com) or call GE Answer Center® service, 800.626.2000.



As an ENERGY STAR® partner, GE has determined that this product meets the ENERGY STAR guidelines for energy efficiency.