

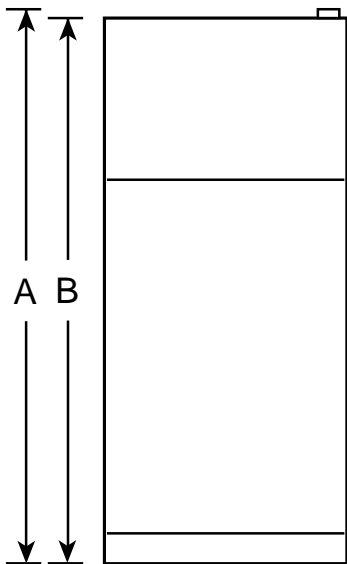


GE Appliances

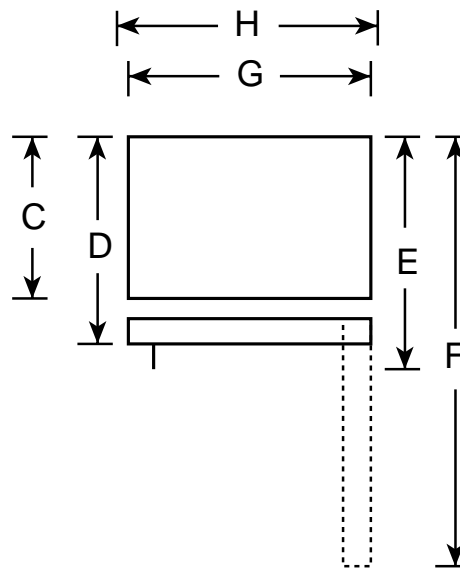
## TBX16SIBWW—"S" Series Top-Mount No-Frost Refrigerator

Dimensions (in inches)

Front View



Top View



Overall Dimensions	Height with hinge (in.) A	67-1/4
	Height without hinge (in.) B	66-3/4
	Depth without Doors (in.) C	26-1/2
	Depth with Doors (in.) D	29-1/8
	Depth plus Handle with Doors Closed (in.) E	30-7/8
	Depth with Doors open 90° (in.) F	54-3/4
	Width with Doors Closed (in.) G	28
	Width with Doors open 90° (in.) H	30-1/8
Air Clearances	Each side (in.)	3/4
	Top (in.)	1
	Back (in.)	1

For answers to your Monogram®GE Profile Performance Series™ GE Profile™ and GE appliance questions, call GE Answer Center® service, 800.626.2000.



Total volume and shelf area are calculated by the Association of Home Appliance Manufacturers' standards.



Listed by Underwriters Laboratories



GE Appliances

## TBX16SIBWW—"S" Series Top-Mount No-Frost Refrigerator



### Features and Benefits

- 16.4 cu. ft. Capacity (Fresh Food 12.58 cu. ft. / Freezer 3.86 cu. ft.)
- Equipped with Factory-Installed Automatic Icemaker
- 2 Classic White Fruit/Vegetable Crispers
- 2 Full-Width (Adjustable) Wire Everwhite Fresh Food Cabinet Shelves
- 2 Fixed Fresh Food Door Shelves with Tall Bottle Storage
- Dairy Compartment
- 2 Freezer Door Shelves
- Color-Matched Deluxe Door Handles
- Model TBX16SIBWW—White on White
- Model TBX16SIBAA—Almond on Almond