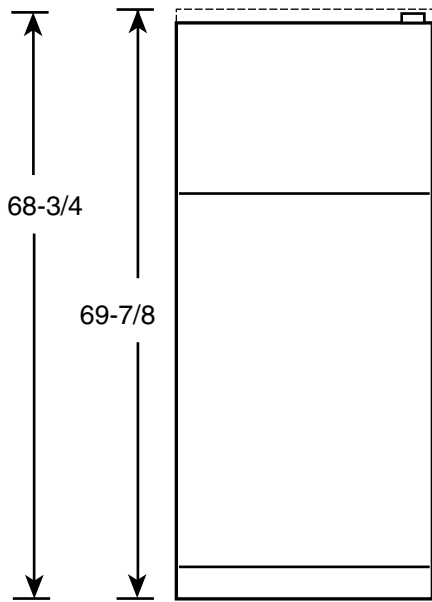




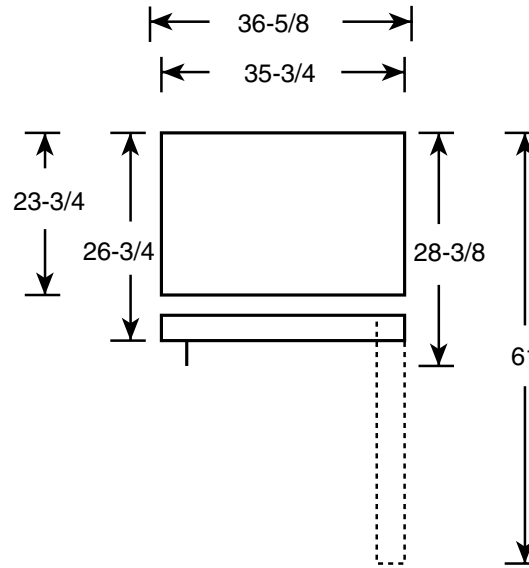
Profile™

PTI22MBM - GE Profile™ 21.9 Cu. Ft. CustomStyle™ Top-Freezer Refrigerator

Case Dimensions (in inches/cm.)



Front View



Top View

Clearances

Handle Side Clearance

–At least 2" (51 mm) on the handle side for fingertip clearances.

Top and Bottom Clearance

–At least 3/16" (4.75 mm) at the top and bottom edges to allow for trim flange.

Hinge Side Clearance

• A 3/4" (19 mm) thick door panel may strike the adjacent countertops when the door is fully opened. Therefore, the hinge side clearance to raised panel will vary according to installation situation.

–Allow 1-3/4" (44 mm) clearance when installation does not include side panels.

–The installation of 3/4" (19 mm) thick side panels requires less clearance because the space between the door and adjacent countertop is wider.

• To avoid door contact to countertop consider:

–Miter the corner of the adjacent countertops 45°, or

–pull the refrigerator forward enough to avoid contact.

IMPORTANT: Before finalizing specifications for your GE Profile Performance™ CustomStyle™ Refrigerator, Please NOTE:

• A minimum of 36" is required for refrigerator installation

• Be sure to allow for 1/2" or 3/4" side panels in addition to the 36" minimum

For answers to your Monogram®, GE Profile™ or GE appliance questions, visit our website at WWW.GEAppliance.com or call GE Answer Center® service, 800.626.2000.



Total volume and shelf area are calculated by the Association of Home Appliance Manufacturers' standards.



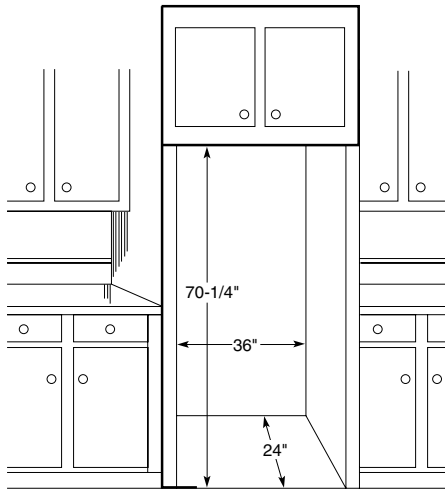
Listed by Underwriters Laboratories



Profile™

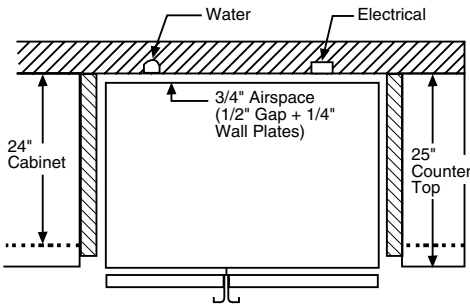
PTI22MBM - GE Profile™ 21.9 Cu. Ft. CustomStyle™ Top-Freezer Refrigerator

Rough-In Dimensions (in inches)

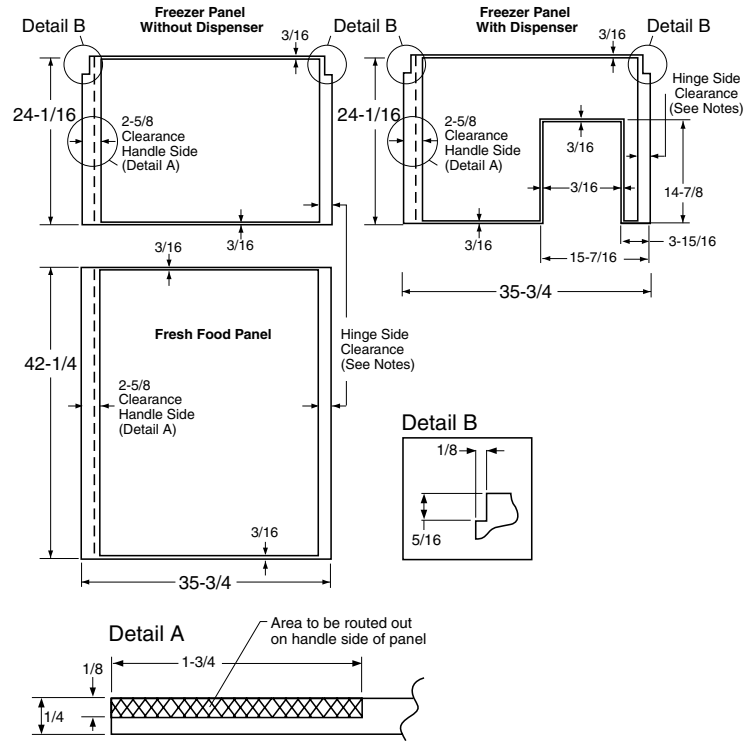


Standard, New Construction and Replacement Installation Installation Tips to Maximize the Built-In Look

- All wall/floor moulding should be removed prior to installation.
 - Water recess on rear wall recommended to prevent water line damage. 48" minimum length 1/4" diameter water line tubing recommended.
 - When possible, recess both water line and electrical outlet. (See local codes)
 - Front and rear leveling legs are adjustable for the "Built-In" look. (See owner's manual)
- * 22" depth applies to the refrigerator opening, not the actual cabinet depth.



Door Panel Dimensions (in inches)



Order your own custom wood panels to match cabinetry or other decor.

Panels up to 1/4" thick will fit door frame with no special preparation. Add filler behind material thinner than 1/4" for proper fit.

Note: Panels up to 3/4" will require special routing area around handles.

Dimensions may vary depending on depth of panel.

For answers to your Monogram®, GE Profile™ or GE appliance questions, visit our website at WWW.GEAppliance.com or call GE Answer Center® service, 800.626.2000.



Total volume and shelf area are calculated by the Association of Home Appliance Manufacturers' standards.



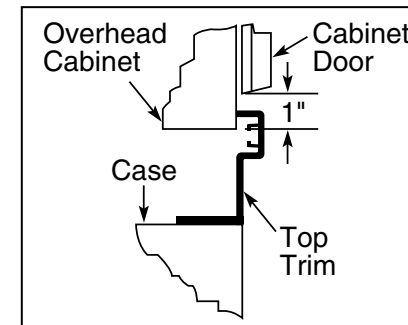
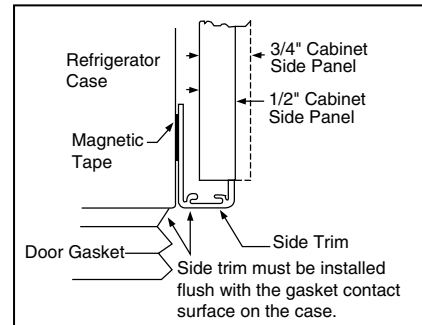
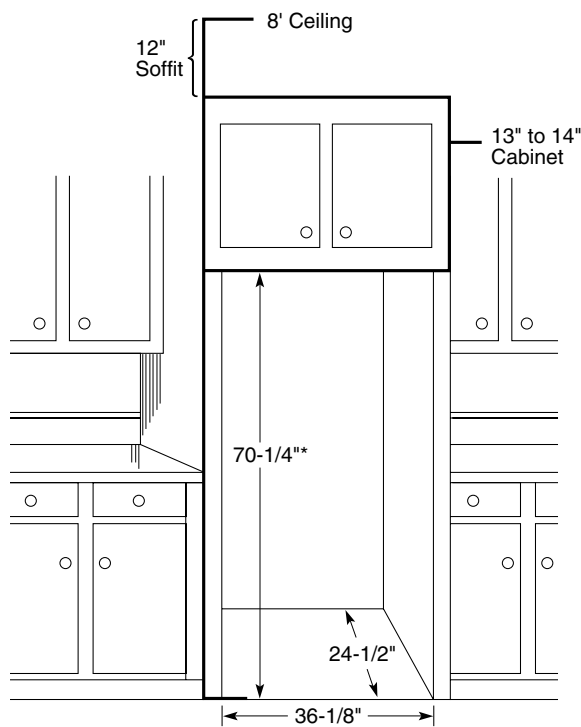
Listed by Underwriters Laboratories



Profile™

PTI22MBM - GE Profile™ 21.9 Cu. Ft. CustomStyle™ Top-Freezer Refrigerator

Collar Trim Installation



An enclosure is **required** to match up to the trim, see Typical Installation. To obtain the most integrated look, the cabinet or soffit above the refrigerator should extend out to the same depth as the side panels. The refrigerator opening must have minimum dimensions of 70-1/4" high x 36-1/8" wide x 24-1/2" deep as shown at right. If there is an overhead cabinet, allow 1" for cabinet door clearance with the top trim piece so the cabinet doors can be opened without hitting the top trim. If 1/2" side panels are used, then side trim and panel will be even. If 3/4" side panels are used, then some of the side panel will extend beyond the trim and must be finished.

*The rough-in dimension of 70-1/4" is minimum and is measured from the finished floor to top of opening (or the underside of the overhead cabinets).
For Models with Trim Kit: If frameless style cabinets are planned for above the refrigerator, you may need to consider adding a maximum of 1/4" (70-1/2") to height of opening to allow additional clearance between cabinet doors and top of refrigerator trim when cabinet doors are in open position.

Specification Created 12/00

For answers to your Monogram®, GE Profile™ or GE appliance questions, visit our website at WWW.GEAppliance.com or call GE Answer Center® service, 800.626.2000.



Total volume and shelf area are calculated by the Association of Home Appliance Manufacturers' standards.

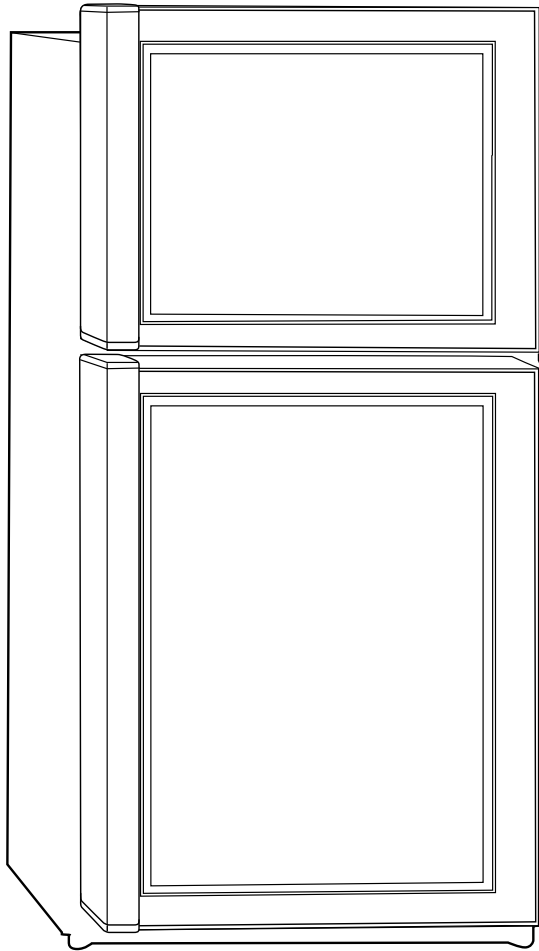


Listed by Underwriters Laboratories



Profile™

PTI22MBM - GE Profile™ 21.9 Cu. Ft. CustomStyle™ Top-Freezer Refrigerator



Features and Benefits

- 21.9 cu ft Capacity (Fresh Food 15.4 cu ft / Freezer 6.5 cu ft)
- 2 Adjustable Humidity Vegetable/Fruit Crispers with Spill-Proof Crisper Cover
- Adjustable Temperature Meat Pan
- Slide-Out, Slide-Over Pans
- 4 Adjustable, Split Glass Fresh Food Cabinet Shelves (3 Slide-Out, Spill Proof)
- 3 Adjustable ClearLook™ Modular Door Bins with Gallon Storage
- 1 Fixed Fresh Food Door Bin with Tall Bottle Storage
- QuickSpace™ Shelf
- Quick Store™ Bin
- Beverage Rack
- Dairy Compartment with Butter Dish
- Egg Bin
- 2 Adjustable, Split Wire Everwhite Freezer Compartment Shelves
- 3 Freezer Door Bins (2 Adjustable; 1 Full-Width Fixed)
- 4 Ice 'N Easy Trays with Ice Storage Bin
- Deluxe Quiet Design Quiet Package
- Color-Matched Full-Length Premium Door Handles
- Model PTI22MBMWW - White on white
- Model PTI22MBMBB - Black on black