

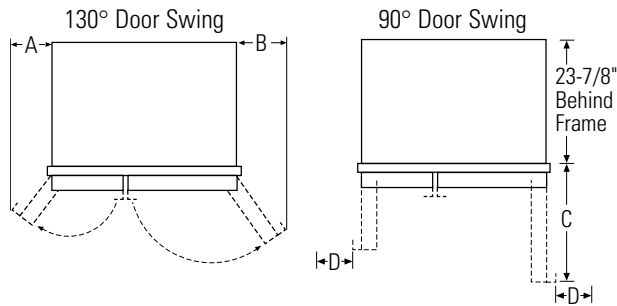
# PSB42YGX

## GE Profile™ 42" Built-In Stainless Side-By-Side Refrigerator with Dispenser

### Dimensions and Installation Information

#### Product Clearances

These refrigerators are equipped with a 2 position door stop. The factory set 130° door swing can be adjusted to 90° if clearance to adjacent cabinets or walls is restricted.



Models	A	B	C	D
42"	12-3/16"	16"	24"	4"

Allow minimum clearances for Freezer door (Dimension A) and Fresh Food door (Dimension B) for a full 130° door swing and to allow for drawer removal.

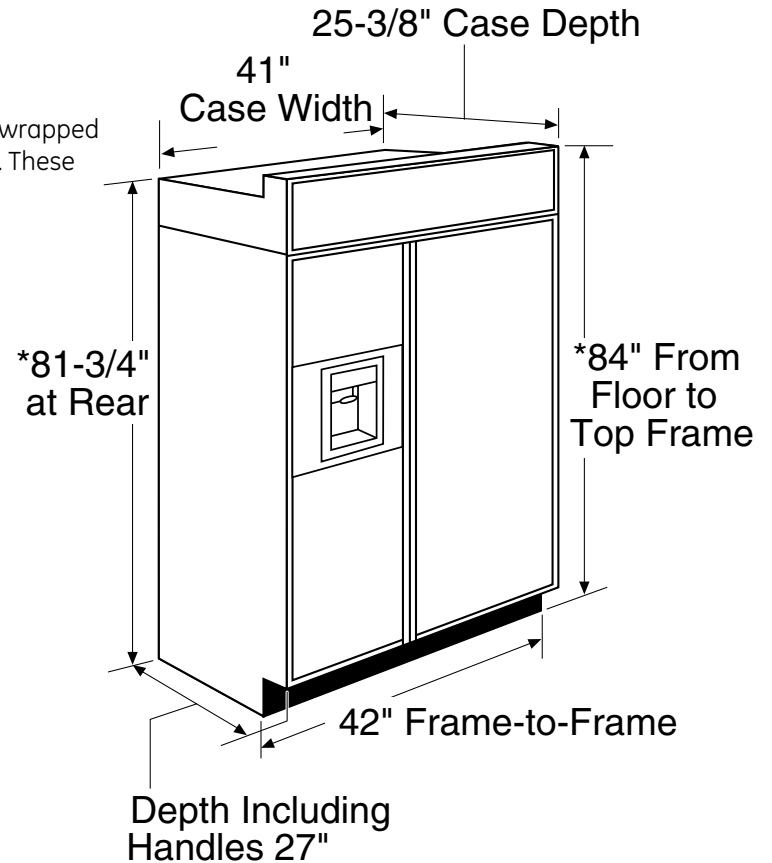
Four inch (4") minimum clearance is required when door swing is adjusted to 90°. If the 90° door stop position is used, drawer access is maintained, but drawer removal is restricted.

For answers to your Monogram,® GE Profile™ or GE® appliance questions, visit our website at [ge.com](http://ge.com) or call GE Answer Center® service, 800.626.2000.



#### Stainless Steel Wrapped Refrigerators

Stainless Steel wrapped refrigerators have wrapped doors and grille panels, and beveled edges. These models are shipped ready for installation.



\*Shipping height

The front height may be adjusted from 83-1/2" to 84-1/2" by adjusting front and rear leveling legs a maximum of 1."



Total volume and shelf area are calculated by the Association of Home Appliance Manufacturers' standards.



Listed by Underwriters Laboratories



As an ENERGY STAR® partner, GE has determined that this product meets the ENERGY STAR guidelines for energy efficiency.

# PSB42YGX

## GE Profile™ 42" Built-In Stainless Side-By-Side Refrigerator with Dispenser

### Dimensions and Installation Information

#### Grounding the Refrigerator

**IMPORTANT—Please read carefully**

**FOR PERSONAL SAFETY, THIS APPLIANCE MUST BE PROPERLY GROUNDED.**

The power supply cord of this appliance is equipped with a three-prong (grounding) plug which mates with a standard three-prong (grounding) wall receptacle to minimize the possibility of electric shock hazard from this appliance.

Have the wall outlet and circuit checked by a qualified electrician to make sure the outlet is properly grounded.

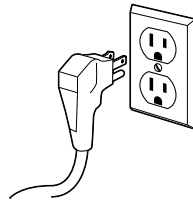
Where a standard 2-prong wall outlet is encountered, it is your personal responsibility and obligation to have it replaced with a properly grounded 3-prong wall outlet.

**DO NOT, UNDER ANY CIRCUMSTANCES, CUT OR REMOVE THE THIRD (GROUND) PRONG FROM THE POWER CORD.**

**DO NOT USE AN ADAPTER PLUG TO CONNECT THE REFRIGERATOR TO A 2-PRONG OUTLET.**

**DO NOT USE AN EXTENSION CORD WITH THIS APPLIANCE.**

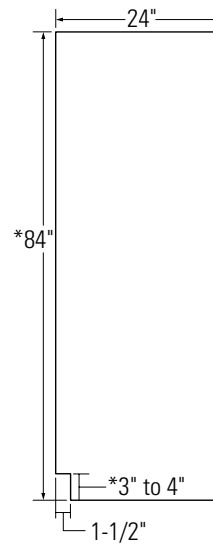
For answers to your Monogram®, GE Profile™ or GE® appliance questions, visit our website at [ge.com](http://ge.com) or call GE Answer Center® service, 800.626.2000.



#### Side Panels

Side panels (not supplied) must be used whenever the sides of the refrigerator will be exposed.

\*Depending on installation height.



#### Flooring

For proper installation, this refrigerator must be placed on a level surface of hard material that is at the same height as the rest of the flooring. This surface should be strong enough to support a fully loaded refrigerator, or approximately 1500 lbs.

**NOTE:** Protect the finish of the flooring. Cut a large section of the cardboard carton and place under the refrigerator where you are working.



Total volume and shelf area are calculated by the Association of Home Appliance Manufacturers' standards.

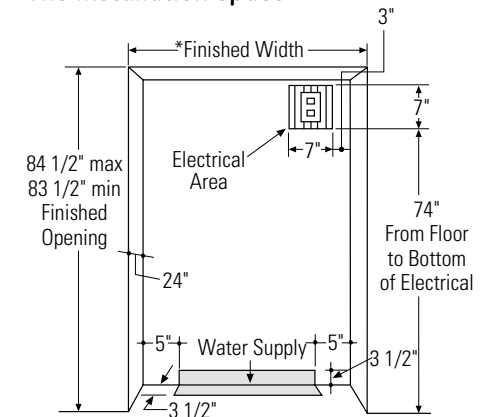


Listed by Underwriters Laboratories



As an ENERGY STAR® partner, GE has determined that this product meets the ENERGY STAR guidelines for energy efficiency.

### The Installation Space



\*The finished cutout width must be: 41-1/2" for 42" models

#### Water and Electrical Locations

The opening must be prepared with the electrical and water supply located as shown.

#### The cutout depth must be 24"

The refrigerator will project forward, slightly beyond adjacent cabinets, depending on your installation.

#### Additional Specifications

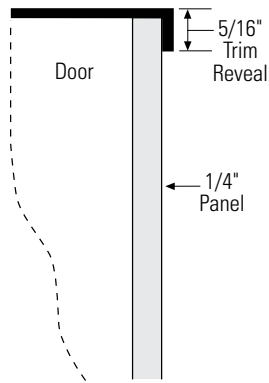
- A 120 volt, 60Hz, 15 or 20 amp power supply is required. An individual properly grounded branch circuit or circuit breaker is recommended. Install a properly grounded 3-prong electrical receptacle recessed into the back wall. Electrical must be located on rear wall as shown.
- Note:** GFI (ground fault interrupter) is not recommended.
- Water line can enter the opening through the floor or rear wall. The water line installed should be 1/4" O.D. copper tubing or GE SmartConnect™ tubing between the cold water line and water connection location. The line should be long enough to extend to the front of the refrigerator. Installation of an easily accessible shutoff valve in the water line is required.

# PSB42YGX

## GE Profile™ 42" Built-In Stainless Side-By-Side Refrigerator with Dispenser

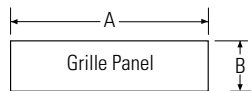
### 1/4" Framed Panel Dimensions

If you choose to install framed panels, they must be cut to the dimensions shown. The panels will slide into the frame on the door and grille.



#### IMPORTANT NOTE:

Maximum weight for Fresh Food panel is 70 pounds and 30 pounds total for Freezer panels.

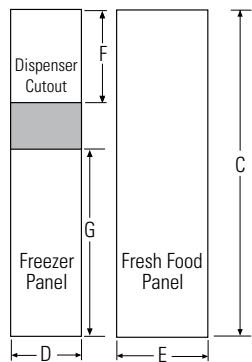


#### IMPORTANT NOTE:

##### Dispenser Trim

The refrigerator is supplied with factory installed dispenser trim.

- If panel is less than 1/4" thick, a noticeable gap will be created around the dispenser trim. Foam tape may be applied on the door to improve the fit.
- If panel is more than 1/4" thick, the panel will not fit behind the trim.

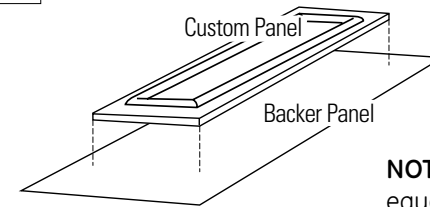
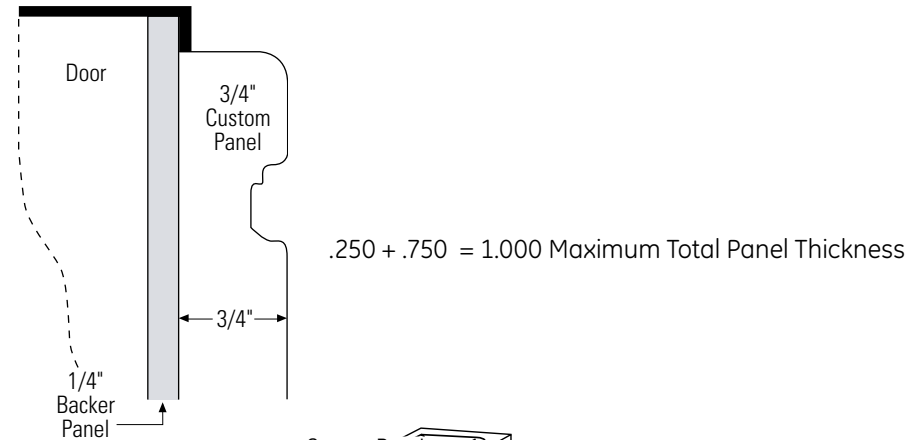


### 1/4" Front Panel Dimensions (in inches)

	A	B	C	D	E	F	G
42" Models	39-15/16	10-3/4	67-7/8	16-7/16	22-11/32	17-5/8	35-5/32

### 3/4" Custom Panel Dimensions

For a more custom appearance, 3/4" framed custom panels may be installed on trimmed models. The overlay panel is secured to a 1/4" finished backer panel. The custom panel then slides into the trim. Please see installation instructions for detailed information.



**NOTE:** Left-to-right offset is not always equal to top-to-bottom offset.

For answers to your Monogram,® GE Profile™ or GE® appliance questions, visit our website at [ge.com](http://ge.com) or call GE Answer Center® service, 800.626.2000.



Total volume and shelf area are calculated by the Association of Home Appliance Manufacturers' standards.



Listed by Underwriters Laboratories



As an ENERGY STAR® partner, GE has determined that this product meets the ENERGY STAR guidelines for energy efficiency.

# PSB42YGX

## GE Profile™ 42" Built-In Stainless Side-By-Side Refrigerator with Dispenser

### Customization Basics: Framed or Custom Panels

#### Stainless Steel Wrapped Models

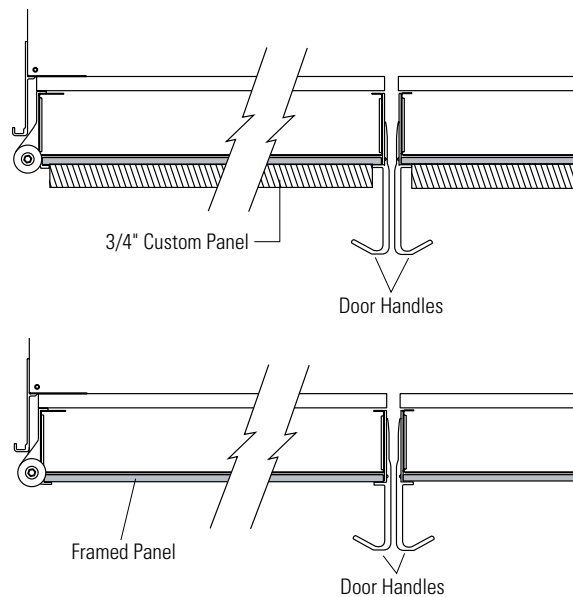
42" wide model—PSB42YGXSV

#### Door Handles

The handles can be used to accommodate both framed or custom panels.

### Trimmed Refrigerators

Trimmed refrigerators are designed to be customized with decorative panels. Field installed custom door and grille panels are required. You may install 1/4" thick custom panels from your cabinet manufacturer. The decorative panel slides into the factory installed trim. Or, order black and white accessory panels from your Profile™ dealer.



For answers to your Monogram,® GE Profile™ or GE® appliance questions, visit our website at [ge.com](http://ge.com) or call GE Answer Center® service, 800.626.2000.



Total volume and shelf area are calculated by the Association of Home Appliance Manufacturers' standards.



Listed by Underwriters Laboratories



As an ENERGY STAR® partner, GE has determined that this product meets the ENERGY STAR guidelines for energy efficiency.



imagination at work

# PSB42YGX

## GE Profile™ 42" Built-In Stainless Side-By-Side Refrigerator with Dispenser

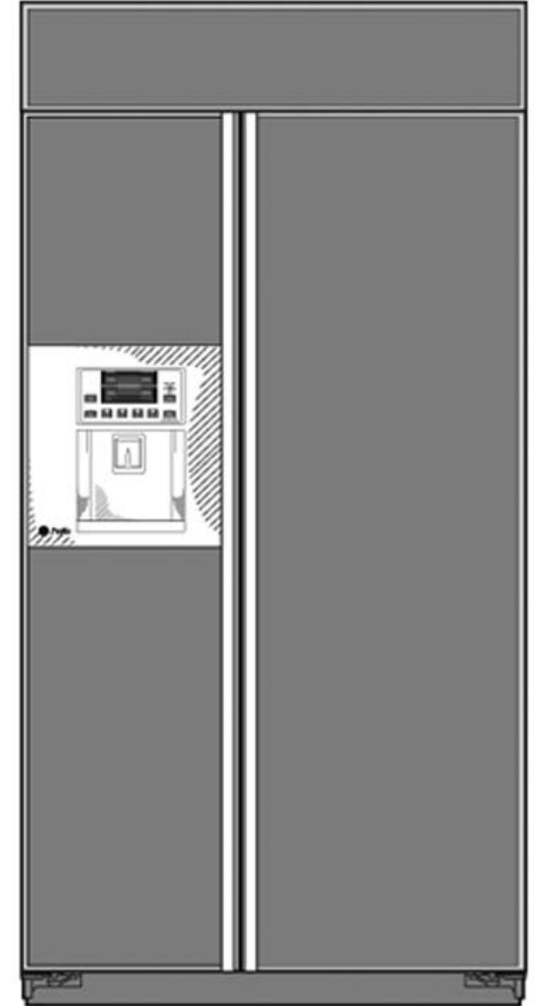
### Features and Benefits

- Built-In Configuration - Enjoy a true, built-in appearance with the flexibility of a flush design that blends into the decor
- Overhead Evaporator
- ClimateKeeper™ with Dual Evaporators - Two separate climates - one for the fresh food compartment and a separate one for the freezer to help maintain freshness throughout the refrigerator
- Electronic Dispenser with Actual Temperature Display - located on the dispenser to provide easy-access and electronic accuracy in controlling fresh food and freezer temperatures
- Soft-touch Dispenser with Child Lock and Door Alarm - Dispenses water and ice with gentle pressure, complete with safety and convenience features
- GE Water Filtration System - Delivers clean great-tasting water and ice through the LightTouch! Dispenser
- FrostGuard™ Technology - Protects frozen items from freezer burn by monitoring freezer door openings and defrosting only when needed
- Quick Ice™ Option - Makes ice up to 50% faster than normal settings-ideal for entertaining
- Slide-Out Freezer Baskets - Provides ample, easy-access storage for frozen foods
- Spillproof Glass Shelves - Shelves slide out and spills stay put
- Model PSB42YGXSV - Stainless steel

For answers to your Monogram,® GE Profile™ or GE® appliance questions, visit our website at [ge.com](http://ge.com) or call GE Answer Center® service, 800.626.2000.



imagination at work



As an ENERGY STAR® partner, GE has determined that this product meets the ENERGY STAR guidelines for energy efficiency.