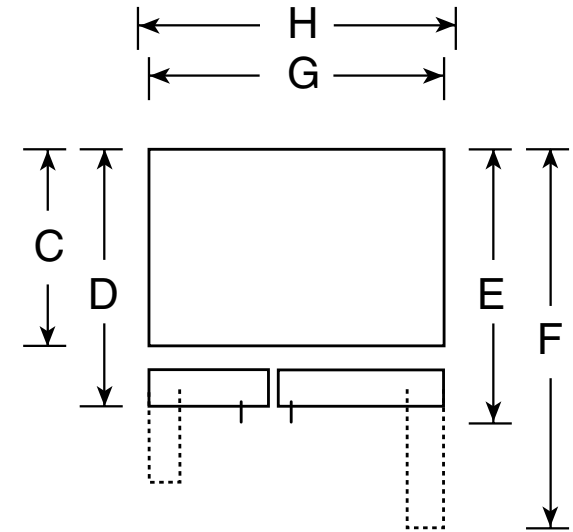
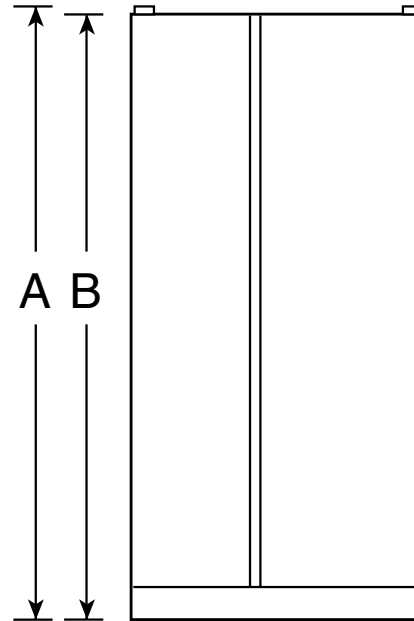


# GSS20GEW

## GE® 19.9 Cu. Ft. Side-By-Side Refrigerator with Dispenser

### Dimensions and Installation Information (in inches)

Overall Dimensions	Height to top of hinge (in.) <b>A</b>	<b>67-1/2</b>
	Height to top of case (in.) <b>B</b>	<b>66-1/2</b>
	Case depth without door (in.) <b>C†</b>	<b>28</b>
	Case depth less door handle (in.) <b>D†</b>	<b>31-1/4</b>
	Case depth with door handle (in.) <b>E†</b>	<b>33-9/16</b>
	Depth with fresh food door open 90° (in.) <b>F†</b>	<b>47-3/8</b>
	Width (in.) <b>G</b>	<b>31-1/2</b>
	Width with door open 90° inc. door handle (in.) <b>H</b>	<b>33-15/16</b>
Air Clearances	Each side (in.)	<b>1/8</b>
	Top (in.)	<b>1</b>
	Back (in.)	<b>1</b>



Top View

†Water hook-up fits in back air clearance when calculating installation depth.

If installed against a wall, allow clearance of 14-3/16" on freezer side to remove bin.

Clearance required to remove fresh food full-size pan without disassembling is 18-15/16".

Allow additional space for any necessary leveling adjustments.

For answers to your Monogram,® GE Profile™ or GE® appliance questions, visit our website at [ge.com](http://ge.com) or call GE Answer Center® service, 800.626.2000.



imagination at work



Listed by  
Underwriters  
Laboratories



Specification Created 6/07

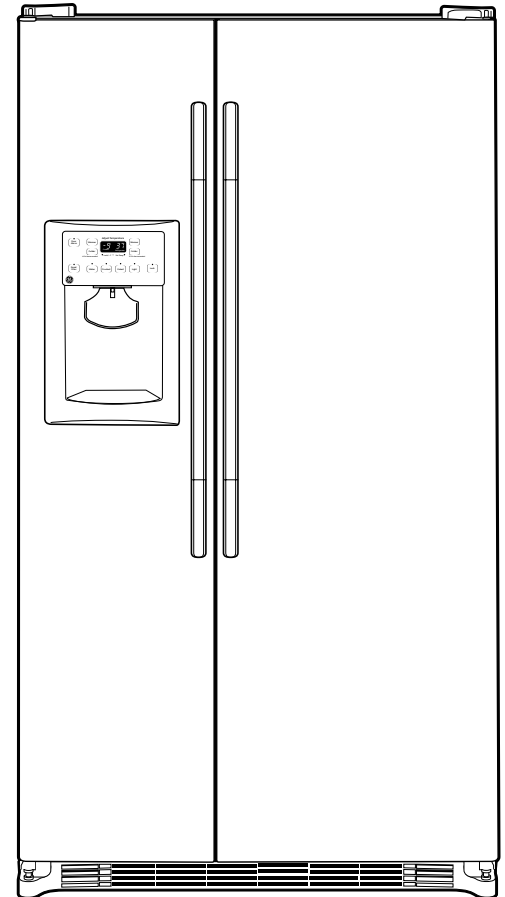
310281

# GSS20GEW

## GE® 19.9 Cu. Ft. Side-By-Side Refrigerator with Dispenser

### Features and Benefits

- External Temperature Controls with Child Lock - Combines the ease of 0-9 temperature settings, with the sophistication of electronic controls
- Sealed Vegetable / Fruit Crisper - Provides easy storage for your fruits and vegetables
- Sealed Deli Drawer - Provides convenient storage for cheeses and luncheon meats
- Adjustable Gallon Door Bins - Make room for milk and other gallon-size containers
- FrostGuard™ Technology - Protects frozen items from freezer burn by monitoring freezer door openings and defrosting only when needed
- AutoEnergy Saver - Senses freezer and fresh door openings and adjusts refrigeration operation cycles accordingly
- Deluxe Quiet Design - Significantly reduces operating noise
- NeverClean™ Condenser - Condenser coils are encased, so they don't require cleaning in normal operating environments
- Model GSS20GEWWW - White on white
- Model GSS20GEWCC - Bisque on bisque
- Model GSS20GEWBB - Black on black



imagination at work