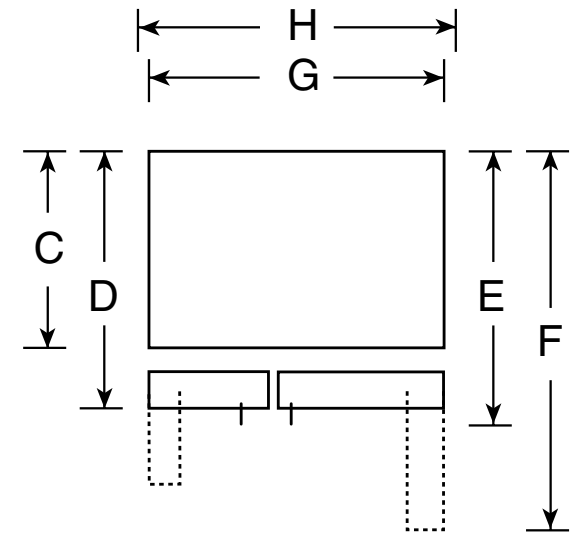
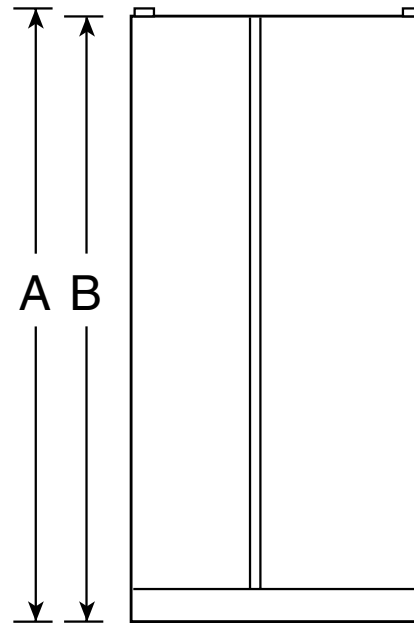


# GSL25JFX

## GE® 25.0 Cu. Ft. CleanSteel™ Side-By-Side Refrigerator with Dispenser

### Dimensions and Installation Information (in inches)

Overall Dimensions	Height to top of hinge (in.) <b>A</b>	69-3/4
	Height to top of case (in.) <b>B</b>	68-3/4
	Case depth without door (in.) <b>C†</b>	28
	Case depth less door handle (in.) <b>D†</b>	31-1/4
	Case depth with door handle (in.) <b>E†</b>	33-5/8
	Depth with fresh food door open 90° (in.) <b>F†</b>	49-3/8
	Width (in.) <b>G</b>	35-3/4
	Width with door open 90° inc. door handle (in.) <b>H</b>	38-1/4
Air Clearances	Each side (in.)	1/8
	Top (in.)	1
	Back (in.)	1



Top View

†Water hook-up fits in back air clearance when calculating installation depth.

If installed against a wall, allow clearance of 14-3/16" on freezer side to remove bin.

Clearance required to remove fresh food full-size pan without disassembling is 18-15/16".

Allow additional space for any necessary leveling adjustments.

For answers to your Monogram®, GE Profile™ or GE® appliance questions, visit our website at [ge.com](http://ge.com) or call GE Answer Center® service, 800.626.2000.



imagination at work



Listed by  
Underwriters  
Laboratories



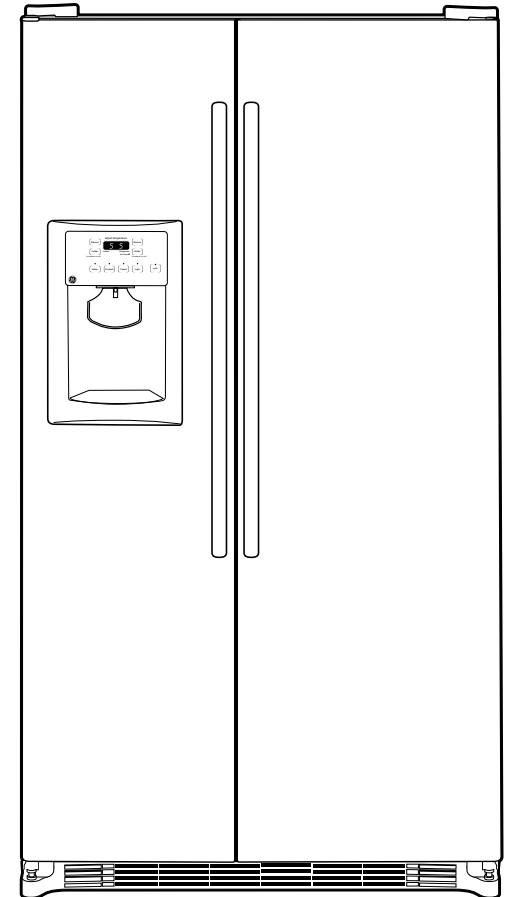
As an ENERGY STAR® partner, GE has determined that this product meets the ENERGY STAR guidelines for energy efficiency.

# GSL25JFX

## GE® 25.0 Cu. Ft. CleanSteel™ Side-By-Side Refrigerator with Dispenser

### Features and Benefits

- CleanSteel™ Exterior - Offers a premium stainless look that resists fingerprints, smudges, and smears
- External Temperature Controls with Child Lock - Combines the ease of 0-9 temperature settings, with the sophistication of electronic controls
- Adjustable Humidity Vegetable/Fruit Crispers - Provide ideal storage environment for fruits and vegetables
- Adjustable Temperature Deli Drawer - Keep meats and cheeses fresher, longer
- Snack Pan - Conveniently stores re-wrapped meats, cheeses and other snacks
- Adjustable Gallon Door Bins - Provides additional storage space for milk and other gallon-size containers
- Adjustable Slide-Out, Spillproof Glass Shelves - Raised edges help contain spills and slide-out shelves make clean up quick and easy
- GE Water Filtration System - Delivers clean great-tasting water and ice through the LightTouch! Dispenser
- FrostGuard™ Technology - Protects frozen items from freezer burn by monitoring freezer door openings and defrosting only when needed
- AutoEnergy Saver - Senses freezer and fresh door openings and adjusts refrigeration operation cycles accordingly
- NeverClean™ Condenser - Condenser coils are encased, so they don't require cleaning in normal operating environments
- Deluxe Quiet Design - Significantly reduces operating noise
- Model GSL25JFXLB - CleanSteel™



imagination at work



As an ENERGY STAR® partner, GE has determined that this product meets the ENERGY STAR guidelines for energy efficiency.