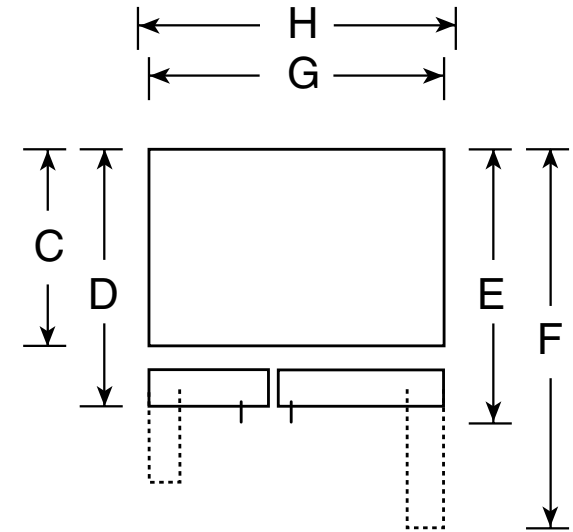
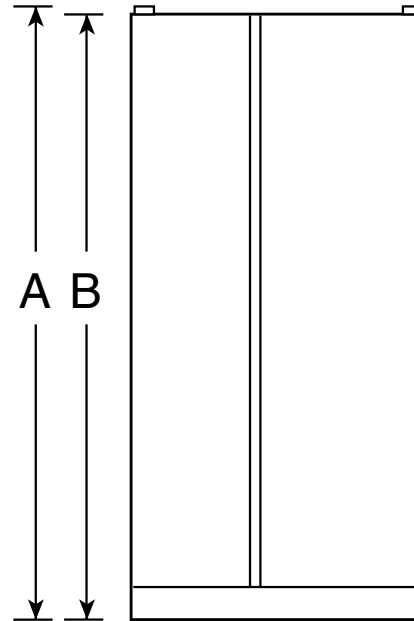


GSL25IGX

GE® 25.0 Cu. Ft. Side-By-Side Refrigerator with Dispenser

Dimensions and Installation Information (in inches)

| | | |
|--------------------|--|--------|
| Overall Dimensions | Height to top of hinge (in.) A | 69-3/4 |
| | Height to top of case (in.) B | 68-3/4 |
| | Case depth without door (in.) C† | 28 |
| | Case depth less door handle (in.) D† | 31-1/4 |
| | Case depth with door handle (in.) E† | 33-5/8 |
| | Depth with fresh food door open 90° (in.) F† | 49-3/8 |
| | Width (in.) G | 35-3/4 |
| | Width with door open 90° inc. door handle (in.) H | 38-1/4 |
| Air Clearances | Each side (in.) | 1/8 |
| | Top (in.) | 1 |
| | Back (in.) | 1 |



Top View

†Water hook-up fits in back air clearance when calculating installation depth.

If installed against a wall, allow clearance of 14-3/16" on freezer side to remove bin.

Clearance required to remove fresh food full-size pan without disassembling is 18-15/16".

Allow additional space for any necessary leveling adjustments.

For answers to your Monogram®, GE Profile™ or GE® appliance questions, visit our website at ge.com or call GE Answer Center® service, 800.626.2000.



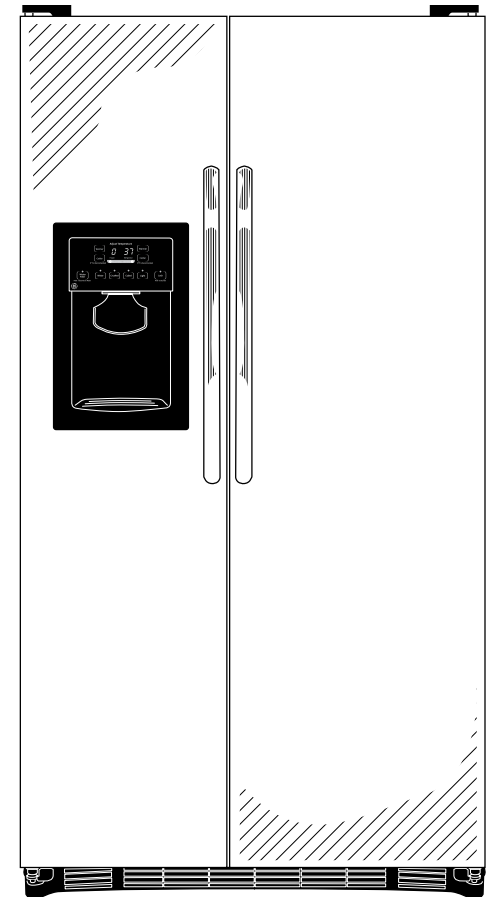
As an ENERGY STAR® partner, GE has determined that this product meets the ENERGY STAR guidelines for energy efficiency.

GSL25IGX

GE® 25.0 Cu. Ft. Side-By-Side Refrigerator with Dispenser

Features and Benefits

- CleanSteel™ Exterior - Offers a premium stainless look that resists fingerprints, smudges, and smears
- External Temperature Controls with Child Lock - Combines the ease of 0-9 temperature settings, with the sophistication of electronic controls
- Adjustable Humidity Vegetable/Fruit Crispers - Provide ideal storage environment for fruits and vegetables
- Adjustable Temperature Deli Drawer - Keep meats and cheeses fresher, longer
- Snack Pan - Conveniently stores re-wrapped meats, cheeses and other snacks
- Adjustable Gallon Door Bins - Provides additional storage space for milk and other gallon-size containers
- Adjustable Slide-Out, Spillproof Glass Shelves - Raised edges help contain spills and slide-out shelves make clean up quick and easy
- GE Water Filtration - Provides clean, fresh-tasting filtered ice and has a slim spacesaving design
- FrostGuard™ Technology - Protects frozen items from freezer burn by monitoring freezer door openings and defrosting only when needed
- AutoEnergy Saver - Senses freezer and fresh door openings and adjusts refrigeration operation cycles accordingly
- NeverClean™ Condenser - Condenser coils are encased, so they don't require cleaning in normal operating environments
- Deluxe Quiet Design - Significantly reduces operating noise
- Model GSL25IGXLS - CleanSteel™



imagination at work



As an ENERGY STAR® partner, GE has determined that this product meets the ENERGY STAR guidelines for energy efficiency.