

PSHW6YGZ

GE Profile™ ENERGY STAR® 25.5 Cu. Ft. Stainless-Wrapped Side-by-Side Refrigerator

Dimensions and Installation Information (in inches)

| | | |
|--------------------|--|----------------|
| Overall Dimensions | Height to top of hinge (in.) A | 70-1/2* |
| | Height to top of case (in.) B | 68-3/4 |
| | Case depth without door (in.) C† | 28-1/2 |
| | Case depth less door handle (in.) D† | 32-3/4 |
| | Case depth with door handle (in.) E† | 35-3/8 |
| | Depth with fresh food door open 90° (in.) F† | 50-5/8 |
| | Width (in.) G | 36 |
| Air Clearances | Width with door open 90° inc. door handle (in.) H | 42-3/8 |
| | Each side (in.) | 1/8 |
| | Top (in.) | 1 |
| | Back (in.) | 1 |

*When cap is removed: 69-1/4"

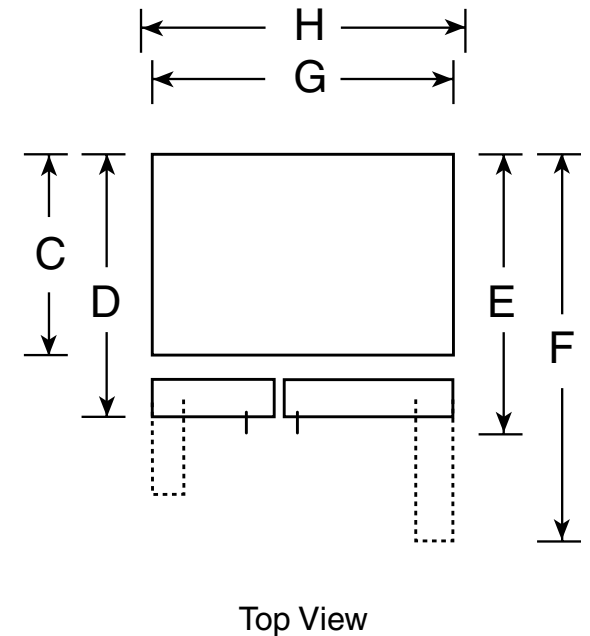
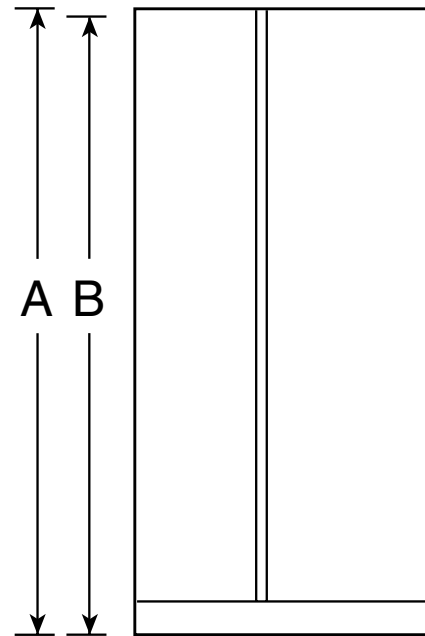
†Water hook-up fits in back air clearance when calculating installation depth.

If installed against a wall, allow clearance of 14-3/16" on freezer side to remove bin.

Clearance required to remove fresh food full-size pan without disassembling is 18-15/16".

Allow additional space for any necessary leveling adjustments.

For answers to your Monogram,® GE Profile™ or GE® appliance questions, visit our website at ge.com or call GE Answer Center® service, 800.626.2000.



Top View



As an ENERGY STAR® partner, GE has determined that this product meets the ENERGY STAR guidelines for energy efficiency.

PSHW6YGZ

GE Profile™ ENERGY STAR® 25.5 Cu. Ft. Stainless-Wrapped Side-by-Side Refrigerator

To Remove Top Caps and Doors on PSHW6YGX

Step 1: the refrigerator. Remove two screws, one on each side at the rear of the top cap. Lift off and remove top cap.

Step 2: Open both doors. Remove one screw on each side of the toekick. Pull forward to remove toekick.

Step 3: On the freezer door, disconnect water line coupler by pushing against the collar on the left side. Disconnect wire harness.

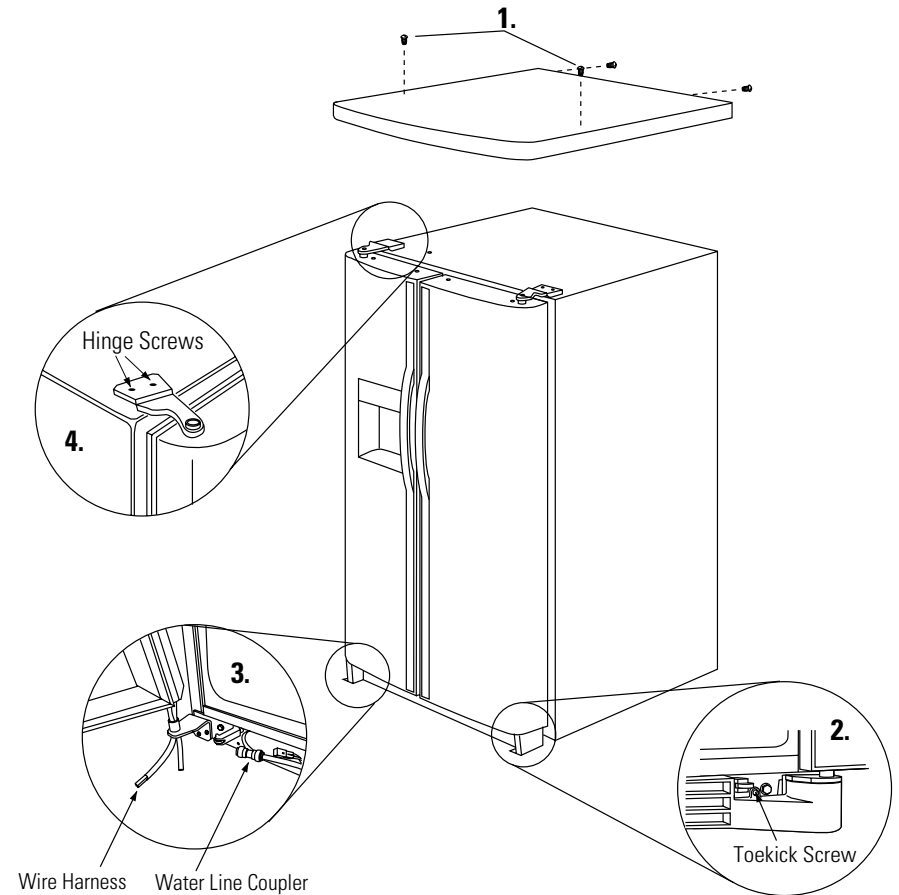
Step 4: Use a Torx T-20 screwdriver to remove 2 screws holding the top hinge. Carefully remove hinge while supporting door. Lift door up and off bottom hinge. Remove fresh food door in the same manner. Note: Do not remove bottom hinges! Door alignment will be difficult if bottom hinges are removed.

Step 5: Place refrigerator onto a hand truck, upright and against one side. Move refrigerator to the installation location.

Step 6: Carefully lower doors onto bottom hinges. Be sure to route the tubing and electrical connector through the bottom hinge. Reinstall top hinges.

Step 7: Place cap over the top of the refrigerator. Reinstall the original screws in the top and back of the cap.

Step 8: Reconnect the wiring harness and waterline.



For answers to your Monogram,® GE Profile™ or GE® appliance questions, visit our website at ge.com or call GE Answer Center® service, 800.626.2000.



imagination at work



Listed by
Underwriters
Laboratories



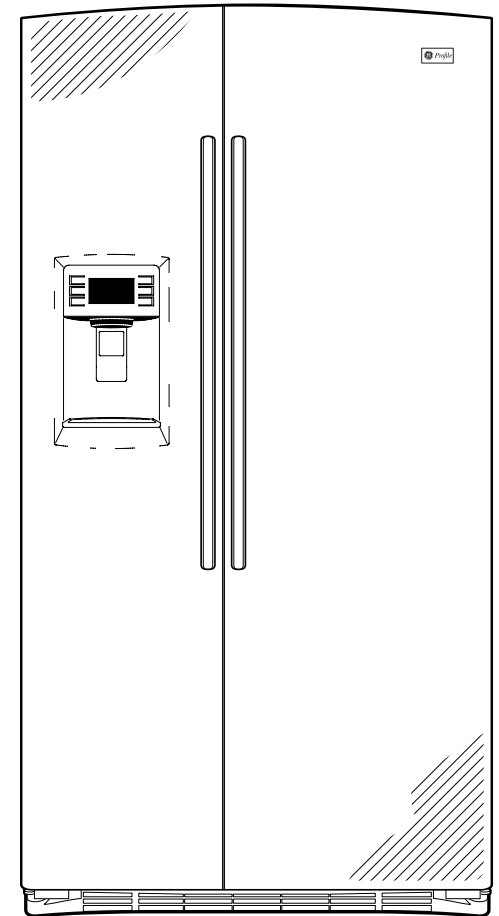
As an ENERGY STAR® partner, GE has determined that this product meets the ENERGY STAR guidelines for energy efficiency.

PSHW6YGZ

GE Profile™ ENERGY STAR® 25.5 Cu. Ft. Stainless-Wrapped Side-by-Side Refrigerator

Features and Benefits

- Stainless-wrapped exterior - The smooth exterior is complemented by stylish contours and designer touches
- ClimateKeeper2™ system - Electronic controls, multiple electronic sensors and a multi-flow air system help keep foods fresh longer
- All LED lighting in fresh food and freezer - Brightly illuminates every inch of the fresh food and freezer compartments
- Color LCD controls with touch screen - LCD controls are easy to see and easy to use for all your refrigerator functions
- Integrated dispenser with LED lighting, PreciseFill and UltraFlow100 - Dispenses accurate water amounts and pours up to 100 ounces per minute
- Electronic beverage center - Keep beverages 2-3 degrees colder by monitoring with an electronic sensor
- CustomCool™ technology - Full-extension drawer chills in minutes, thaws in hours and quickly preserves food
- Slide 'n Store™ freezer baskets - Full-extension baskets slide well beyond the door for easy access to all your frozen favorites
- Quick Ice™ setting - Speed up your icemaker to keep up with your life
- TurboCool™ setting - Restores proper temperature to the refrigerator after frequent door openings
- Arctica® icemaker - Holds 40% more ice than traditional GE icemakers, without taking up more additional space
- Tilt-out freezer door bins - Even when bins are filled to capacity, items are easy to remove
- Integrated shelf support system - Strong shelf supports add a contemporary look
- Model PSHW6YGZSS - Stainless steel



imagination at work



As an ENERGY STAR® partner, GE has determined that this product meets the ENERGY STAR guidelines for energy efficiency.