

PSW23PSS

GE Profile CustomStyle™ ENERGY STAR® 22.6 Cu. Ft. Stainless-Wrapped Side-by-Side Refrigerator

Dimensions and Installation Information (in inches)

Overall Dimensions	Height to top of hinge (in.) A	70-3/4*
	Height to top of case (in.) B	68-3/4
	Case depth without door (in.) C†	24-3/8
	Case depth less door handle (in.) D†	27-1/4
	Case depth with door handle (in.) E†	29-2/3
	Depth with fresh food door open 90° (in.) F†	46
	Width (in.) G	36**
Air Clearances	Width with door open 90° less door handle (in.) H	41-1/3
	Each side (in.)	1/8
	Top (in.)	1
	Back (in.)	1/2

*When cap is removed: 69 1/4"

**Width including top caps is 36-3/16".

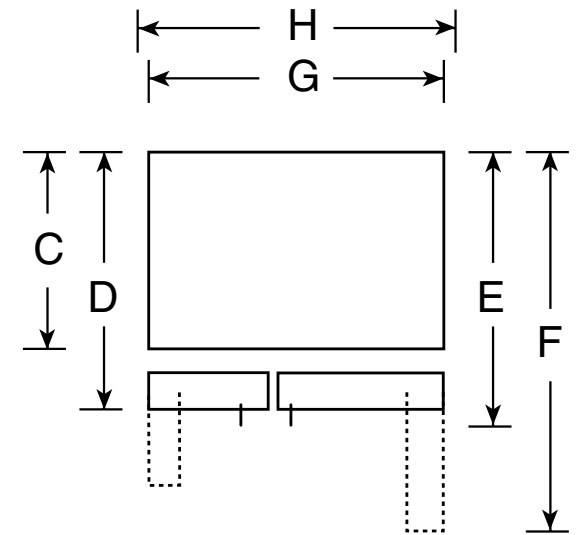
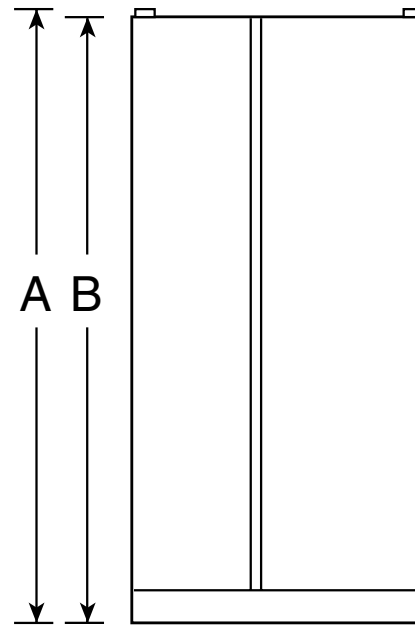
†Water hook-up fits in back air clearance when calculating installation depth.

If installed against a wall, allow clearance of 13-15/16" on freezer side to remove bin.

Clearance required to remove fresh food full-size pan without disassembling is 18-5/8".

Allow additional space for any necessary leveling adjustments.

For answers to your Monogram,® GE Profile™ or GE® appliance questions, visit our website at ge.com or call GE Answer Center® service, 800.626.2000.



Top View



As an ENERGY STAR® partner, GE has determined that this product meets the ENERGY STAR guidelines for energy efficiency.

PSW23PSS

GE Profile CustomStyle™ ENERGY STAR® 22.6 Cu. Ft. Stainless-Wrapped Side-by-Side Refrigerator

To Remove Top Caps and Doors on PSW23PSS

Step 1: the refrigerator. Remove two screws, one on each side at the rear of the top cap. Lift off and remove top cap.

Step 2: Open both doors. Remove one screw on each side of the toekick. Pull forward to remove toekick.

Step 3: On the freezer door, disconnect water line coupler by pushing against the collar on the left side. Disconnect wire harness.

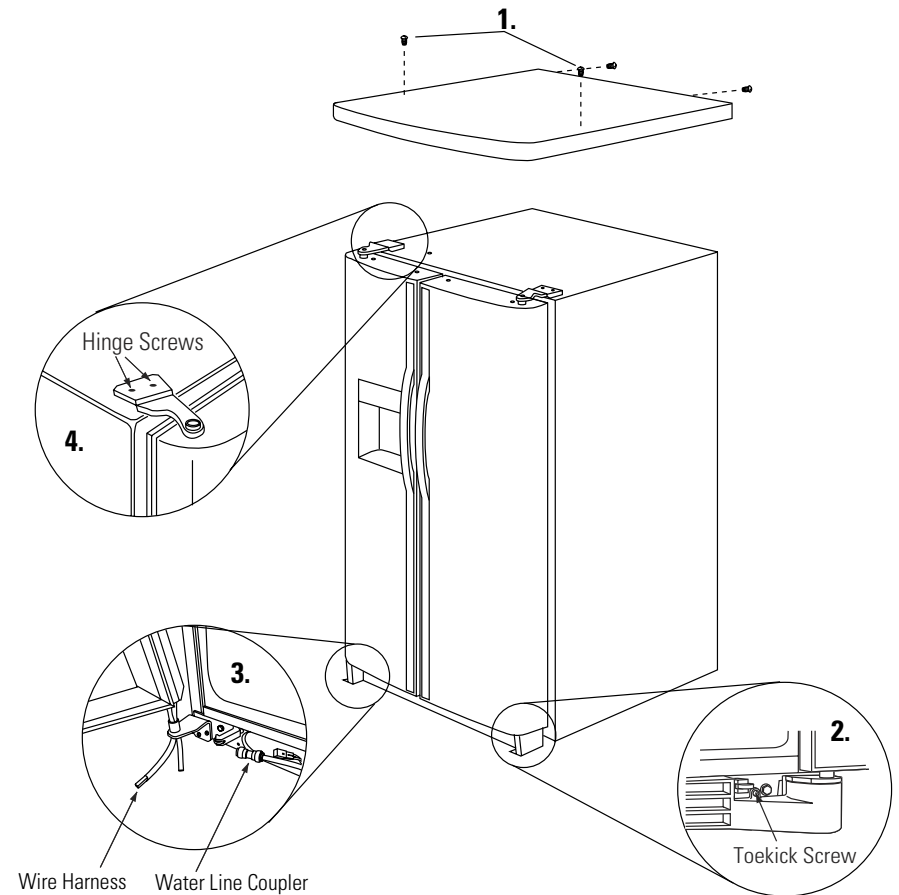
Step 4: Use a Torx T-20 screwdriver to remove 2 screws holding the top hinge. Carefully remove hinge while supporting door. Lift door up and off bottom hinge. Remove fresh food door in the same manner. Note: Do not remove bottom hinges! Door alignment will be difficult if bottom hinges are removed.

Step 5: Place refrigerator onto a hand truck, upright and against one side. Move refrigerator to the installation location.

Step 6: Carefully lower doors onto bottom hinges. Be sure to route the tubing and electrical connector through the bottom hinge. Reinstall top hinges.

Step 7: Place cap over the top of the refrigerator. Reinstall the original screws in the top and back of the cap.

Step 8: Reconnect the wiring harness and waterline.



For answers to your Monogram®, GE Profile™ or GE® appliance questions, visit our website at ge.com or call GE Answer Center® service, 800.626.2000.



imagination at work



Listed by
Underwriters
Laboratories



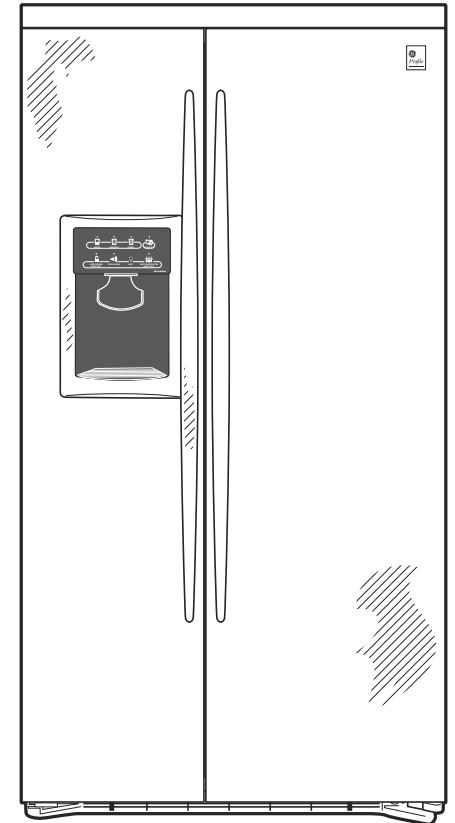
As an ENERGY STAR® partner, GE has determined that this product meets the ENERGY STAR guidelines for energy efficiency.

PSW23PSS

GE Profile CustomStyle™ ENERGY STAR® 22.6 Cu. Ft. Stainless-Wrapped Side-by-Side Refrigerator

Features and Benefits

- CustomStyle™ configuration - Offers a built-in look without the built-in expense
- Stainless-Wrapped - Provides stainless steel doors, side panels and top for a truly dramatic look
- ClimateKeeper2™ System - Keeps food garden fresh longer, while protecting ice from odor transfer, with its unique dual-evaporator system
- CustomCool™ Technology With Full Extension Slides - Chills in minutes thaws in hours and keeps foods fresher, longer
- Beverage Center - Keeps beverages and treats icy cold and easily accessible
- Upfront Electronic Touch Temperature Controls with Digital Temperature Display - Clearly displays exact temperature for the fresh food and freezer compartments
- Integrated Ice™ System - Frees up valuable freezer space. It tilts down, providing easy access to bulk ice
- LightTouch! tall dispenser with LED lighting- Dispenses water and ice at the slightest touch. LED lighting provides long-lasting illumination without generating heat.
- Slide 'n Store™ full-Extension Freezer Baskets - Extends 12" to 16" beyond the cabinet, providing easy access to contents
- FrostGuard™ Technology - Reduces freezer burn, so foods retain their texture and flavor
- Integrated Shelf Support System - Provides strong, yet flexible support
- Adjustable Slide-Out, Spillproof Glass Shelves - Shelves slide out, spills stay put
- Quick Ice™ Option - Makes ice up to 50% faster than normal settings-ideal for entertaining
- TurboCool™ Setting - "Revs up" the refrigerator, cooling it quickly after frequent door openings
- GE SmartWater™ Plus Filtration System - Delivers clean, great-tasting water and ice through the LightTouch! Dispenser with indicator light
- ClearLook™ Adjustable Gallon Door Bin - Store gallon containers with ease
- Model PSW23PSSS - Stainless-wrapped



imagination at work



As an ENERGY STAR® partner, GE has determined that this product meets the ENERGY STAR guidelines for energy efficiency.