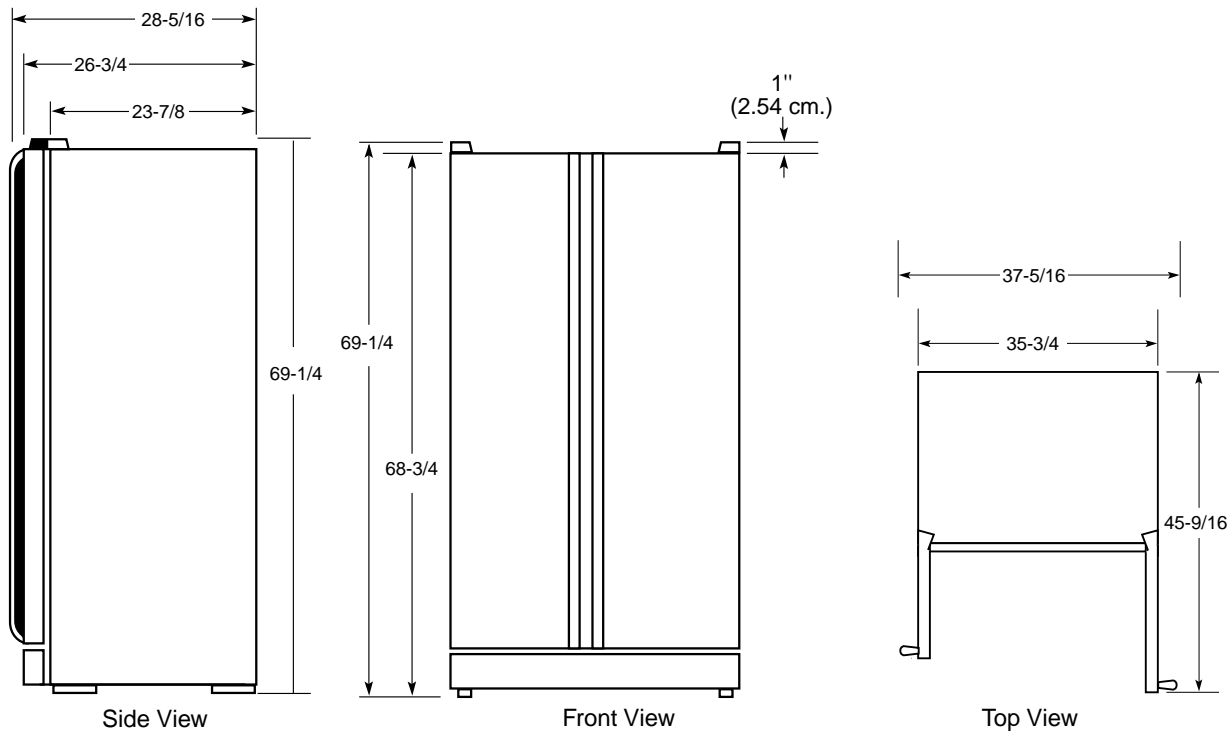




Profile™

PSI23MGN—GE Profile Arctica™ 22.7 Cu. Ft. CustomStyle™ Side-by-Side Refrigerator with Dispenser

Case Dimensions (in inches/cm.)



For answers to your Monogram®, GE Profile™ or GE appliance questions, visit our website at GEAppliances.com or call GE Answer Center® service, 800.626.2000.

Specification Created 11/01



Total volume and shelf area are calculated by the Association of Home Appliance Manufacturers' standards.



Listed by Underwriters Laboratories



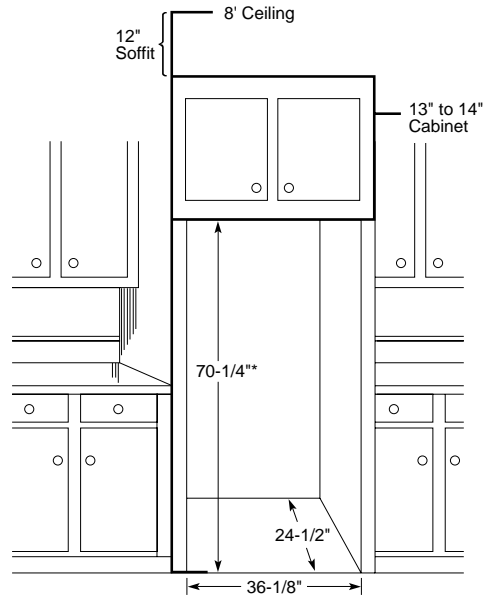
Profile™

PSI23MGN—GE Profile Arctica™ 22.7 Cu. Ft. CustomStyle™ Side-by-Side Refrigerator with Dispenser

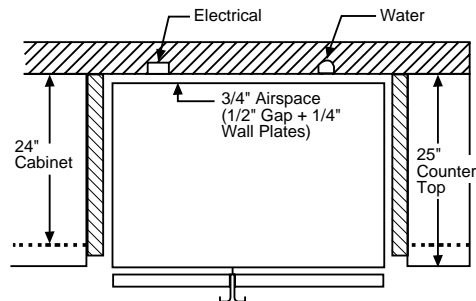
Rough-In Dimensions

Standard, New Construction and Replacement Installation

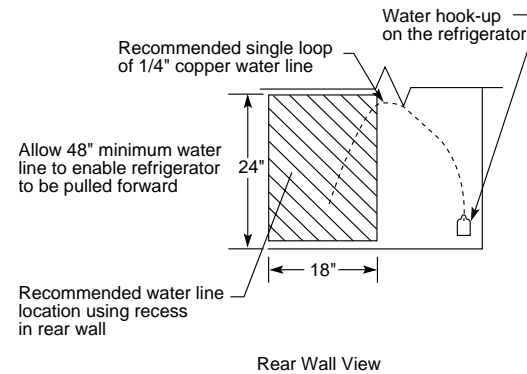
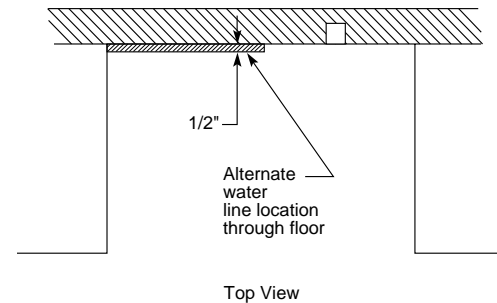
- All wall/floor molding should be removed prior to installation.
- Water recess on rear wall recommended to prevent water line damage. 48" minimum length 1/4" diameter water line tubing recommended.
- When possible, recess both copper water line and electrical outlet. (See local codes)
- Front and rear leveling legs are adjustable for the built-in look. (See owner's manual)
- If optional collar trim kit is to be used or anticipated, see collar trim installation on next page for different rough-in dimensions.



*The rough-in dimension of 70-1/4" is minimum and is measured from the finished floor to top of opening (or the underside of the overhead cabinets). For Models with Trim Kit: If frameless style cabinets are planned for above the refrigerator, you may need to consider adding a maximum of 1/4" (70-1/2") to height of opening to allow additional clearance between cabinet doors and top of refrigerator trim when cabinet doors are in open position.



Installation of Water and Electrical Outlets



For answers to your Monogram®, GE Profile™ or GE appliance questions, visit our website at GEAppliances.com or call GE Answer Center® service, 800.626.2000.



Total volume and shelf area are calculated by the Association of Home Appliance Manufacturers' standards.



Listed by Underwriters Laboratories

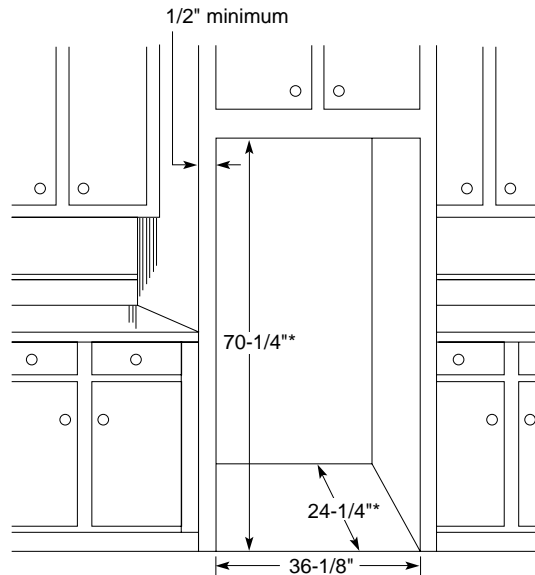


Profile™

PSI23MGN—GE Profile Arctica™ 22.7 Cu. Ft. CustomStyle™ Side-by-Side Refrigerator with Dispenser

Collar Trim Installation

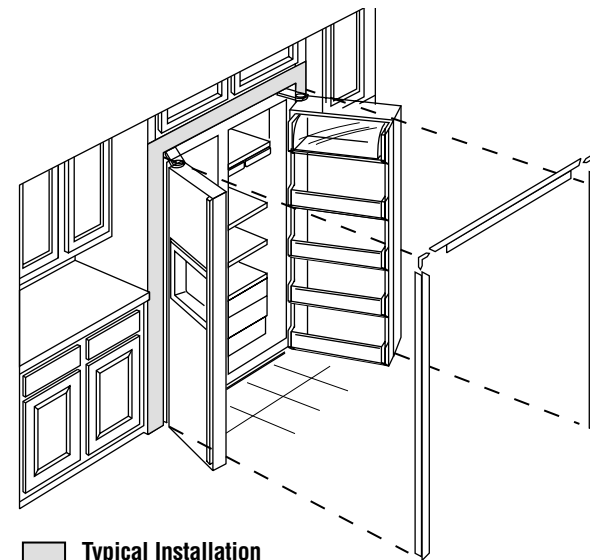
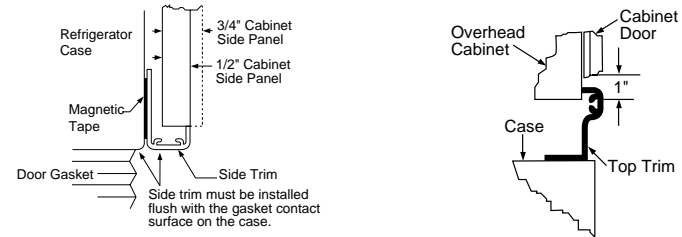
An enclosure is **required** to match up to the trim, see Typical Installation. To obtain the most integrated look, the cabinet or soffit above the refrigerator should extend out to the same depth as the side panels. The refrigerator opening must have minimum dimensions of 70-1/4" high x 36-1/8" wide x 24-1/2" deep as shown at right. If there is an overhead cabinet, allow 1" for cabinet door clearance with the top trim piece so the cabinet doors can be opened without hitting the top trim. If 1/2" side panels are used, then side trim and panel will be even. If 3/4" side panels are used, then some of the side panel will extend beyond the trim and must be finished.



*The rough-in dimension of 70-1/4" is minimum and is measured from the finished floor to top of opening (or the underside of the overhead cabinets). For Models with Trim Kit: If frameless style cabinets are planned for above the refrigerator, you may need to consider adding a maximum of 1/4" (70-1/2") to height of opening to allow additional clearance between cabinet doors and top of refrigerator trim when cabinet doors are in open position.

IMPORTANT: Before finalizing specifications for your GE Profile CustomStyle Refrigerator, please NOTE:

- A minimum of 36-1/8" is required for refrigerator installation with collar
- Be sure to allow for 1/2" or 3/4" side panels in addition to the 36-1/8" minimum



Typical Installation

Shaded areas represent front surfaces of side panels and overhead cabinet or soffit that contacts trim.

For answers to your Monogram®, GE Profile™ or GE appliance questions, visit our website at GEAppliances.com or call GE Answer Center® service, 800.626.2000.



Total volume and shelf area are calculated by the Association of Home Appliance Manufacturers' standards.



Listed by Underwriters Laboratories



Profile™

PSI23MGN—GE Profile Arctica™ 22.7 Cu. Ft. CustomStyle™ Side-by-Side Refrigerator with Dispenser

Door Panel Dimensions

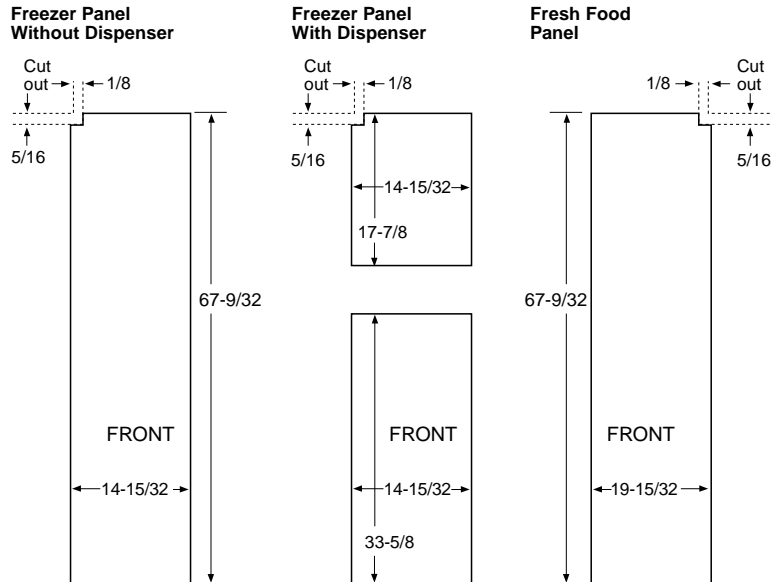
Order your own custom wood panels to match cabinetry or other decor.

	Fresh Food Panels	Freezer Panel With Dispenser	Freezer Panel Without Dispenser	Weight Limits*
23 cu. ft.	G-67-9/32" H-19-15/32"	C-17-7/8" D-14-15/32"	E-33-5/8" F-14-15/32" A-67-9/32" B-14-15/32"	Fresh Food = 38 lbs. Freezer = 28 lbs.

Panels up to 1/4" thick will fit door frame with no special preparation. Add filler behind material thinner than 1/4" for proper fit.

*Total weight of panels (i.e., both freezer panels)

Note: Panels up to 3/4" will require special routing area around handles. Dimensions may vary depending on depth of panel.

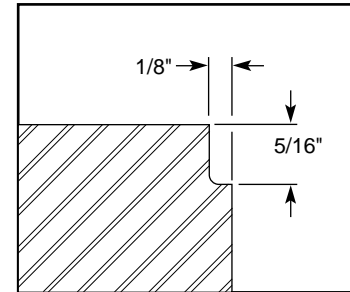


IMPORTANT: Before finalizing specifications for your GE Profile CustomStyle Refrigerator, please NOTE:

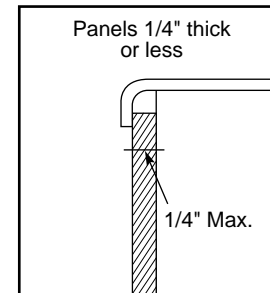
- A minimum of 36-1/8" is required for refrigerator installation with collar
- Be sure to allow for 1/2" or 3/4" side panels in addition to the 36-1/8" minimum

Specification Created 11/01

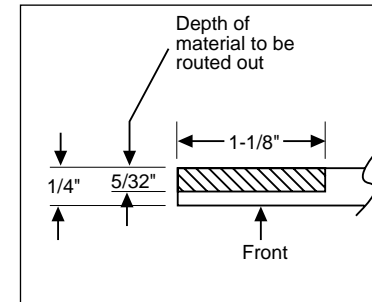
Detail C



(Fresh Food panel shown)
Notch required at top corner as noted.



All other dotted lines indicate areas that must be routed out about 5/32" (4 mm) on the back side of panels 1/4" (6 mm) thick or more. For panels less than 1/4" (6 mm) thick, these areas can be cut out of the filler panel.



For answers to your Monogram®, GE Profile™ or GE appliance questions, visit our website at GEAppliances.com or call GE Answer Center® service, 800.626.2000.



Total volume and shelf area are calculated by the Association of Home Appliance Manufacturers' standards.

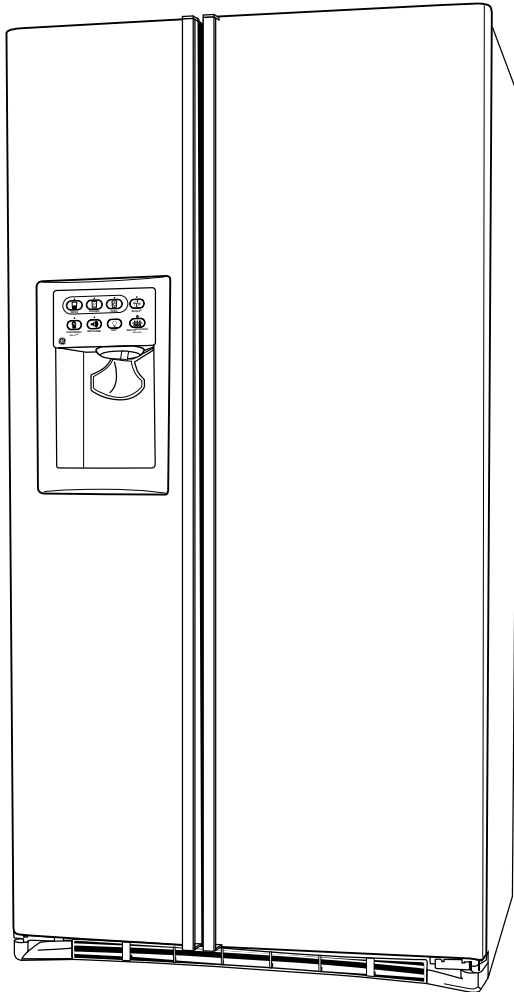


Listed by Underwriters Laboratories



Profile™

PSI23MGN—GE Profile Arctica™ 22.7 Cu. Ft. CustomStyle™ Side-by-Side Refrigerator with Dispenser



Features and Benefits

- 22.7 cu. ft. Capacity (Fresh Food 14.4 cu ft / Freezer 8.32 cu ft)
- ClimateKeeper™ System
- Upfront Electronic Touch Temperature Control
- TurboCool™ Setting
- SmartWater™ Plus Provides Cleaner, Better Tasting Water and Ice through the LightTouch!™ Dispenser
- Integrated Shelf Support System
- FrostGuard™ Technology
- Quick Ice™ Setting
- Door Alarm
- Child Lock
- 3 Wire Tilt-Out Freezer Storage Bins (2 Adjustable)
- 5 Fresh Food ClearLook™ Modular Door Shelves (4 Adjustable)
- QuickSpace™ Shelf
- 3 Adjustable Glass Fresh Food Cabinet Shelves (2 Slide-Out, Spill-Proof)
- Electronic Icemaker
- Premium Quiet Design
- Factory Installed Trim
- Model PSI23MGNWW—White on white
- Model PSI23MGNBB—Black on black
- Model PSI23MGNCC—Bisque on bisque