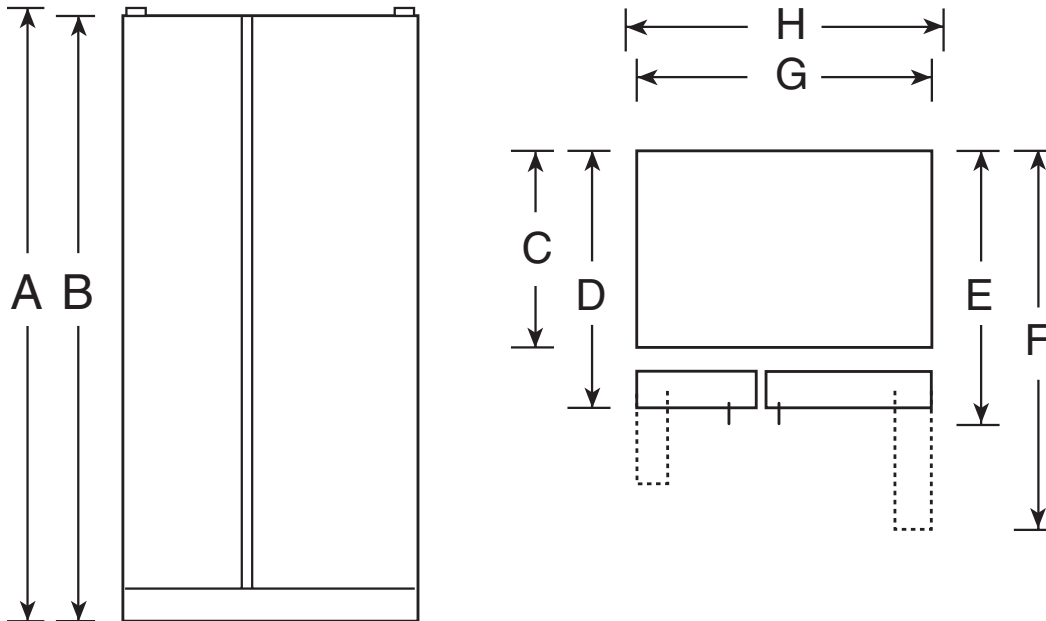




Profile™

PSW26SGR – GE Profile Arctica® ENERGY STAR® 25.5 Cu. Ft. Stainless-Wrapped Side-By-Side Refrigerator with Dispenser

Dimensions (in inches)



Overall Dimensions	Height to top of hinge (in.) A	70-1/2*
	Height to top of case (in.) B	70-1/2
	Case depth without door (in.) C†	28-1/2
	Case depth less door handle (in.) D†	32-3/4
	Case depth with door handle (in.) E†	35-3/16
	Depth with fresh food door open 90° (in.) F†	50-9/16
	Width (in.) G	35-7/8**
Air Clearances	Width with door open 90° with door handle (in.) H	36-1/4
	Each side (in.)	1/8
	Top (in.)	1
	Back (in.)	1

*When cap is removed: 69-1/4"

**Width including caps is 36-3/16"

†Water hook-up fits in back air clearance when calculating installation depth. If installed against a wall, allow clearance of 14-3/16" on freezer side to remove ice bin.

To remove fresh food pans, remove door bins.

Clearance required to remove fresh food full-size pan without disassembling: 18-15/16"

Plus, allow additional space for any necessary leveling adjustments.



Total volume and shelf area are calculated by the Association of Home Appliance Manufacturers' standards.



As an ENERGY STAR® partner, GE has determined that this product meets the ENERGY STAR guidelines for energy efficiency.



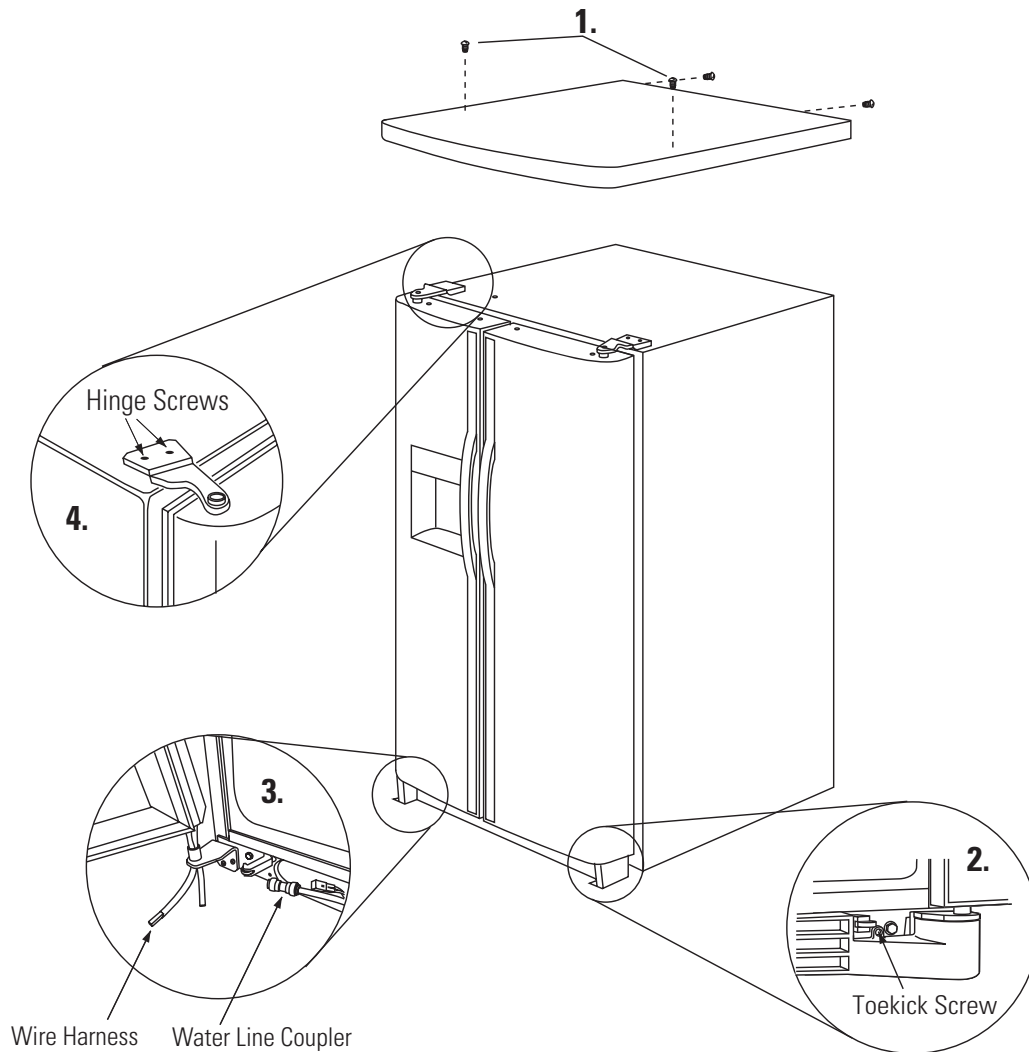
Listed by Underwriters Laboratories

For answers to your Monogram,® GE Profile™ or GE® appliance questions, visit our website at GEAppliances.com or call GE Answer Center® service, 800.626.2000.



Profile™

PSW26SGR – GE Profile Arctica® ENERGY STAR® 25.5 Cu. Ft. Stainless-Wrapped Side-By-Side Refrigerator with Dispenser



To Remove Top Cap and Doors on PSW26SGR

Step 1: Locate and remove two Phillips head screws on the top of the refrigerator. Remove two screws, one on each side at the rear of the top cap. Lift off and remove top cap.

Step 2: Open both doors. Remove one screw on each side of the toekick. Pull forward to remove toekick.

Step 3: On the freezer door, disconnect water line coupler by pushing against the collar on the left side. Disconnect wire harness.

Step 4: Use a Torx T-20 screwdriver to remove 2 screws holding the top hinge. Carefully remove hinge while supporting door. Lift door up and off bottom hinge. Remove fresh food door in the same manner. Note: Do not remove bottom hinges! Door alignment will be difficult if bottom hinges are removed.

Step 5: Place refrigerator onto a hand truck, upright and against one side. Move refrigerator to the installation location.

Reinstall Doors, Top Cap

Step 6: Carefully lower doors onto bottom hinges. Be sure to route the tubing and electrical connector through the bottom hinge. Reinstall top hinges.

Step 7: Place cap over the top of the refrigerator. Reinstall the original screws in the top and back of the cap.

Step 8: Reconnect the wiring harness and waterline.



Total volume and shelf area are calculated by the Association of Home Appliance Manufacturers' standards.



As an ENERGY STAR® partner, GE has determined that this product meets the ENERGY STAR guidelines for energy efficiency.



Listed by Underwriters Laboratories

For answers to your Monogram®, GE Profile™ or GE® appliance questions, visit our website at GEAppliances.com or call GE Answer Center® service, 800.626.2000.

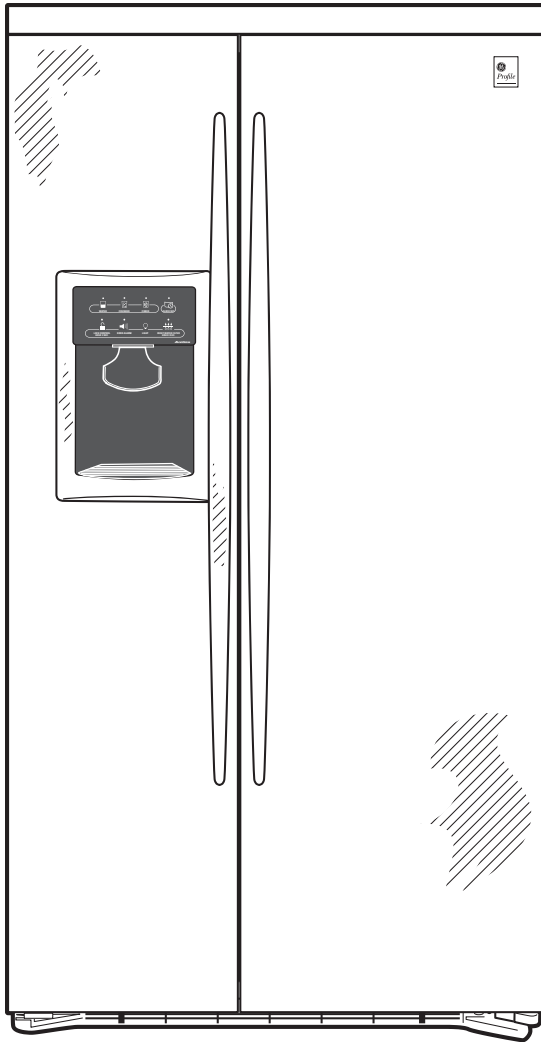
Specification Revised 7/04

210398



Profile™

PSW26SGR – GE Profile Arctica® ENERGY STAR® 25.5 Cu. Ft. Stainless-Wrapped Side-By-Side Refrigerator with Dispenser



Features and Benefits

- Full-wrap stainless design – Features stainless steel doors, side panels and top for a truly dramatic look
- CustomCool™ Technology With Full Extension Slides – Chills in minutes, thaws in hours and keeps foods fresher, longer
- ClimateKeeper™ Temperature Management System – Best Temperature Management System You Can Buy!
- Upfront Electronic Digital Display – Clearly displays exact temperatures for the fresh food and freezer compartments
- Integrated Ice™ System – Frees up valuable freezer space. It tilts down, providing easy access to cubed ice.
- Contoured Exterior – Create a high-fashion look with gently rounded doors and edges
- In-the-Door Beverage Rack – Conveniently located inside the refrigerator door to increase flexibility and to free up valuable shelf space
- Model PSW26SGRSS – Stainless steel



As an ENERGY STAR® partner, GE has determined that this product meets the ENERGY STAR guidelines for energy efficiency.

Specification Revised 7/04

210398