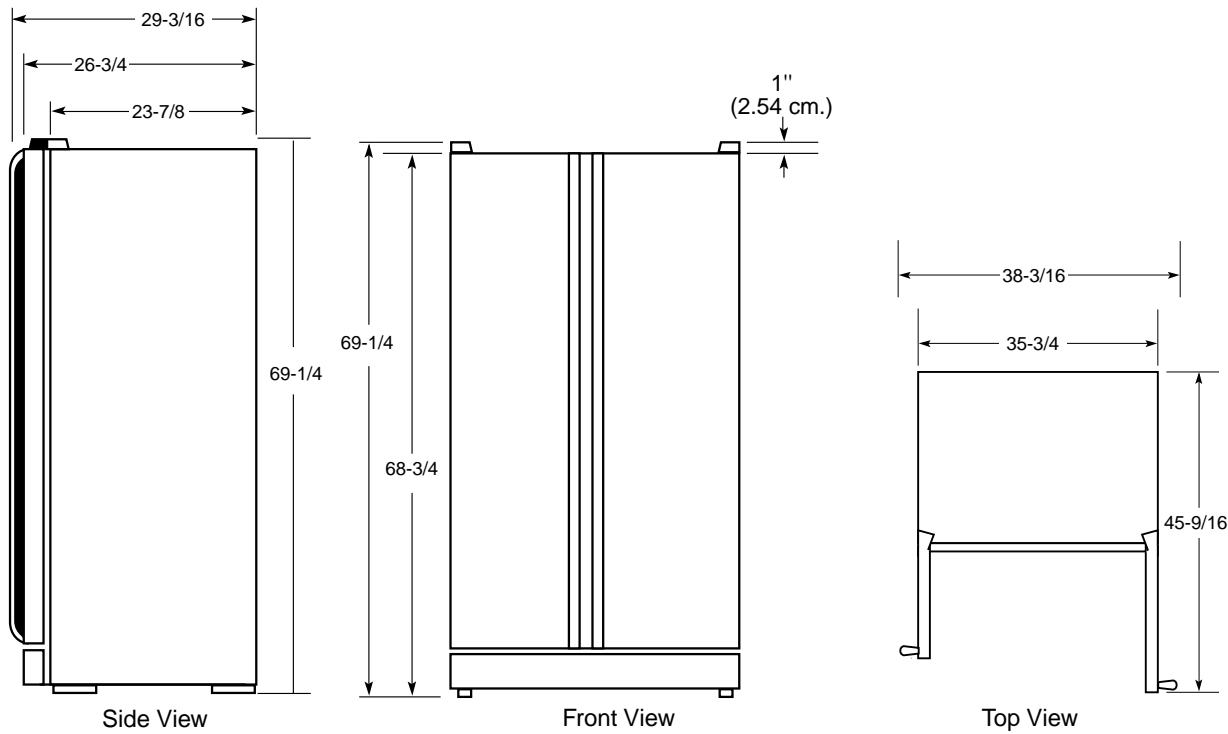




Profile™

PSC23SHN—GE Profile Arctica™ 22.7 Cu. Ft. CustomStyle™ Side-by-Side Refrigerator with Dispenser

Case Dimensions (in inches/cm.)



For answers to your Monogram®, GE Profile™ or GE appliance questions, visit our website at GEAppliances.com or call GE Answer Center® service, 800.626.2000.

Specification Created 11/01



Total volume and shelf area are calculated by the Association of Home Appliance Manufacturers' standards.



Listed by Underwriters Laboratories



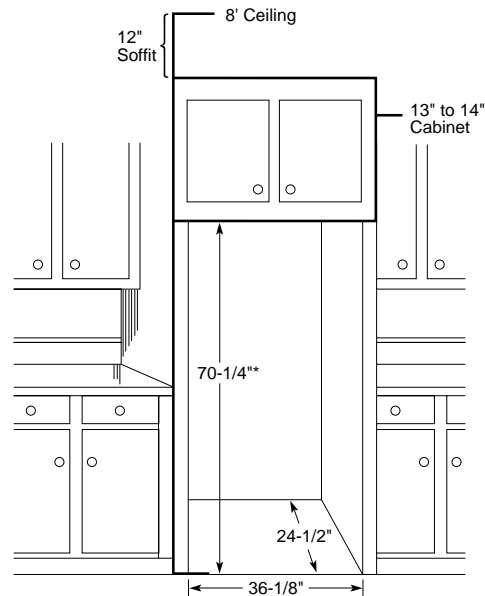
Profile™

PSC23SHN—GE Profile Arctica™ 22.7 Cu. Ft. CustomStyle™ Side-by-Side Refrigerator with Dispenser

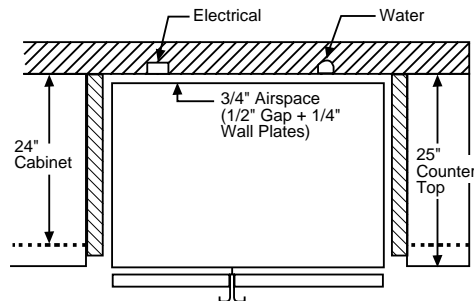
Rough-In Dimensions

Standard, New Construction and Replacement Installation

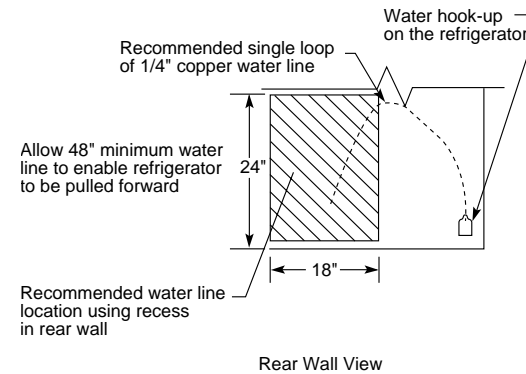
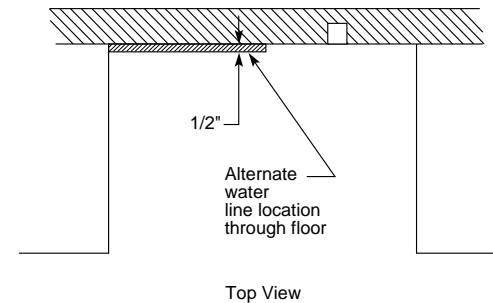
- All wall/floor molding should be removed prior to installation.
- Water recess on rear wall recommended to prevent water line damage. 48" minimum length 1/4" diameter water line tubing recommended.
- When possible, recess both copper water line and electrical outlet. (See local codes)
- Front and rear leveling legs are adjustable for the built-in look. (See owner's manual)
- If optional collar trim kit is to be used or anticipated, see collar trim installation on next page for different rough-in dimensions.



*The rough-in dimension of 70-1/4" is minimum and is measured from the finished floor to top of opening (or the underside of the overhead cabinets). For Models with Trim Kit: If frameless style cabinets are planned for above the refrigerator, you may need to consider adding a maximum of 1/4" (70-1/2") to height of opening to allow additional clearance between cabinet doors and top of refrigerator trim when cabinet doors are in open position.



Installation of Water and Electrical Outlets



For answers to your Monogram® GE Profile™ or GE appliance questions, visit our website at GEAppliances.com or call GE Answer Center® service, 800.626.2000.

Specification Created 11/01



Total volume and shelf area are calculated by the Association of Home Appliance Manufacturers' standards.

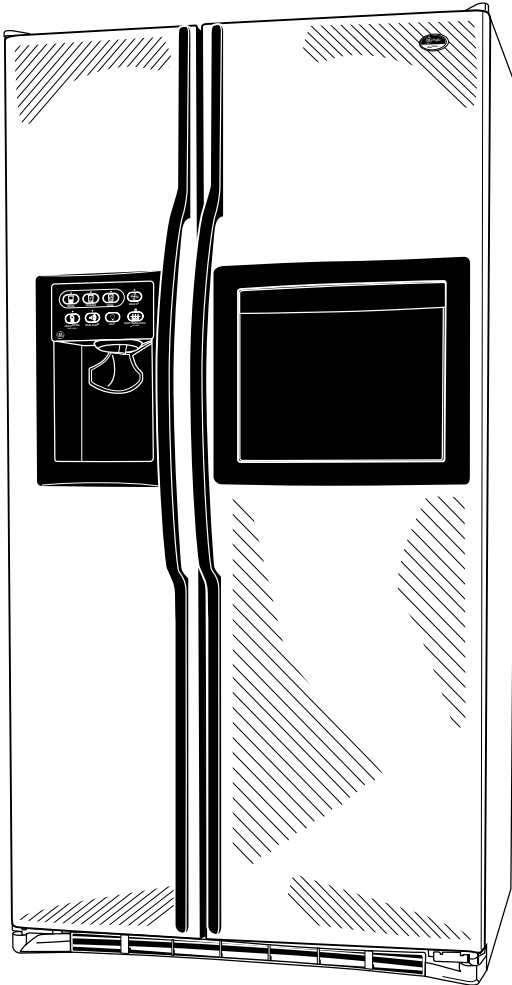


Listed by Underwriters Laboratories



Profile™

PSC23SHN—GE Profile Arctica™ 22.7 Cu. Ft. CustomStyle™ Side-by-Side Refrigerator with Dispenser



Features and Benefits

- 22.7 cu. ft. Capacity (Fresh Food 14.4 cu ft / Freezer 8.3 cu ft)
- Refreshment Center
- CustomCool™ Technology
- ClimateKeeper™ System
- Digital Temperature Display
- Upfront Electronic Touch Temperature Control
- TurboCool™ Setting
- SmartWater™ Plus Provides Cleaner, Better Tasting Water and Ice through the LightTouch! Dispenser
- Integrated Shelf Support System
- Full-extension Slide 'N Store™ Freezer Baskets (1 Plus)
- FrostGuard™ Technology
- Quick Ice™ Setting
- Door Alarm
- Child Lock
- 3 Wire Tilt-Out Freezer Storage Bins (2 Adjustable)
- Tri-Level Lighting
- 3 Fresh Food ClearLook™ Modular Door Shelves (1 Adjustable)
- Can Storage Bin
- QuickSpace™ Shelf
- 3 Adjustable Glass Fresh Food Cabinet Shelves (1 Slide-Out, Spill-Proof)
- Electronic Icemaker
- Premium Quiet Design
- Model PSC23SHNBS—Stainless steel