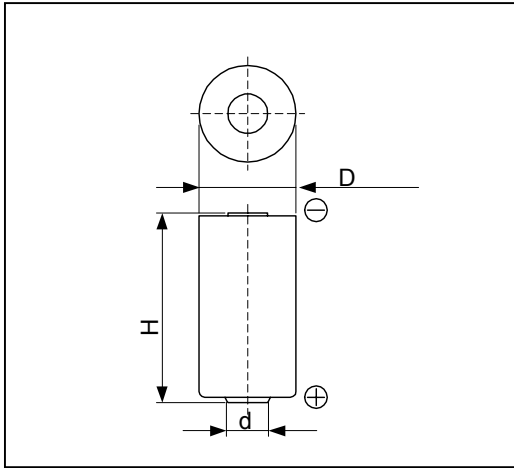


Cell Type CR17335HE-R Specifications



Nominal Capacity ^{*1}		1350mAh
Nominal Voltage		3V
Standard Charge/Discharge Current		5mA
Max. Discharge Current	Continuous ^{*2}	1000mA
	Pulse ^{*3}	3000mA
Temperature Range		-40°C ~ 85°C
Weight		16g
Dimensions	D	17.0mm
	H	33.5mm
	d	7mm

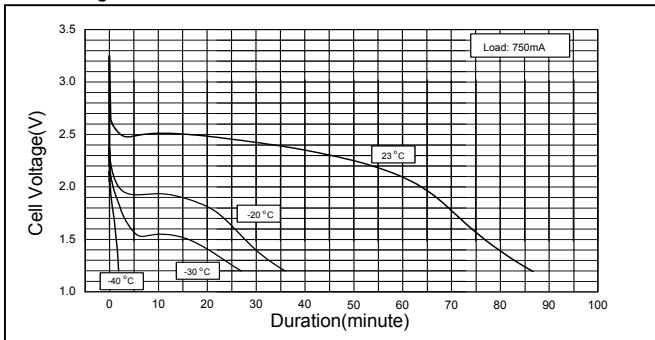
*1 Nominal capacity is determined to an end voltage of 2.0V when the battery is allowed to discharge at a standard current level at 23°C.

*2 Current value is determined to be the level at which 50% of the nominal capacity is obtained with an end voltage of 2.0V at 23°C.

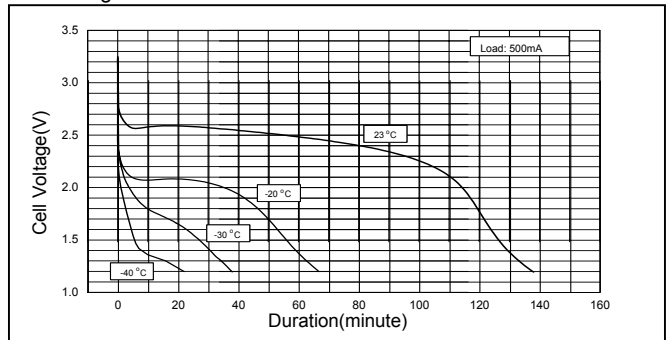
*3 Current value for obtaining 1.0V cell voltage when pulse is applied for 15seconds at 50% discharge depth at 23°C.

Typical Characteristics

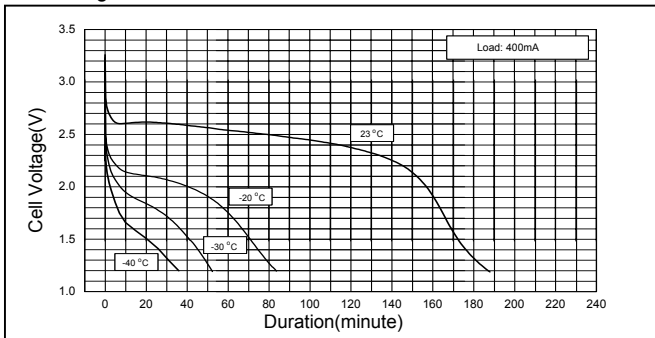
Discharge Characteristics of CR17335HE-R



Discharge Characteristics of CR17335HE-R



Discharge Characteristics of CR17335HE-R



Discharge Characteristics of CR17335HE-R

