



Quick Start Guide

Blu-ray Disc / DVD Player
BDP-BX1

Follow the steps below to use your Blu-ray Disc / DVD Player.

- 1 Select
- 2 Connect
- 3 Setup
- 4 Play



For any inquiries,
please call **1-800-222-SONY(7669)**
or visit the Sony Web Site : <http://esupport.sony.com/>

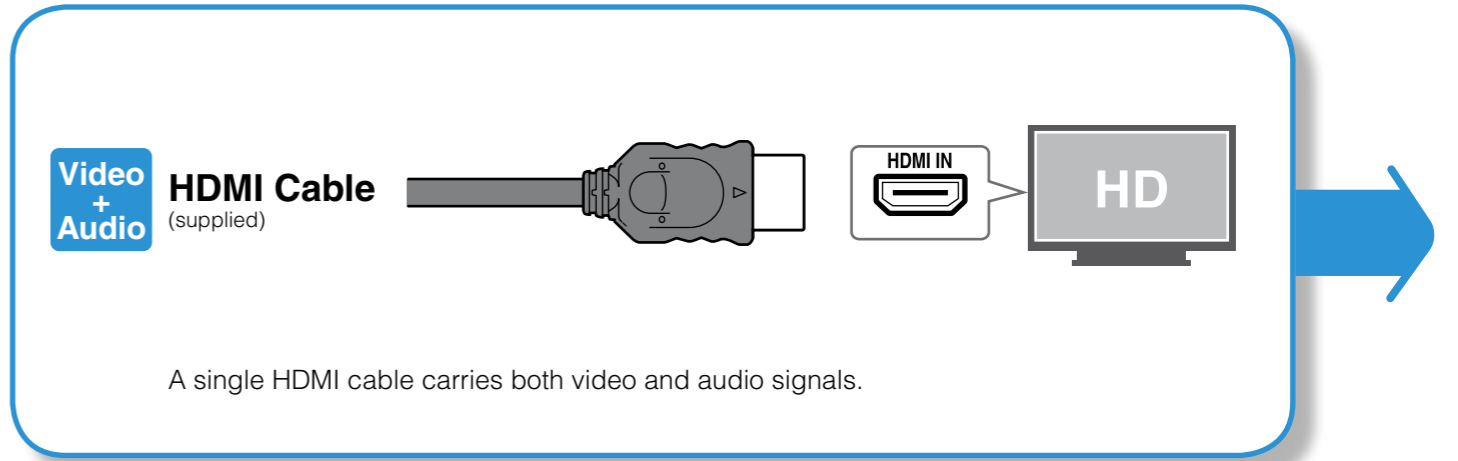


For more information,
refer to the supplied Operating Instructions.

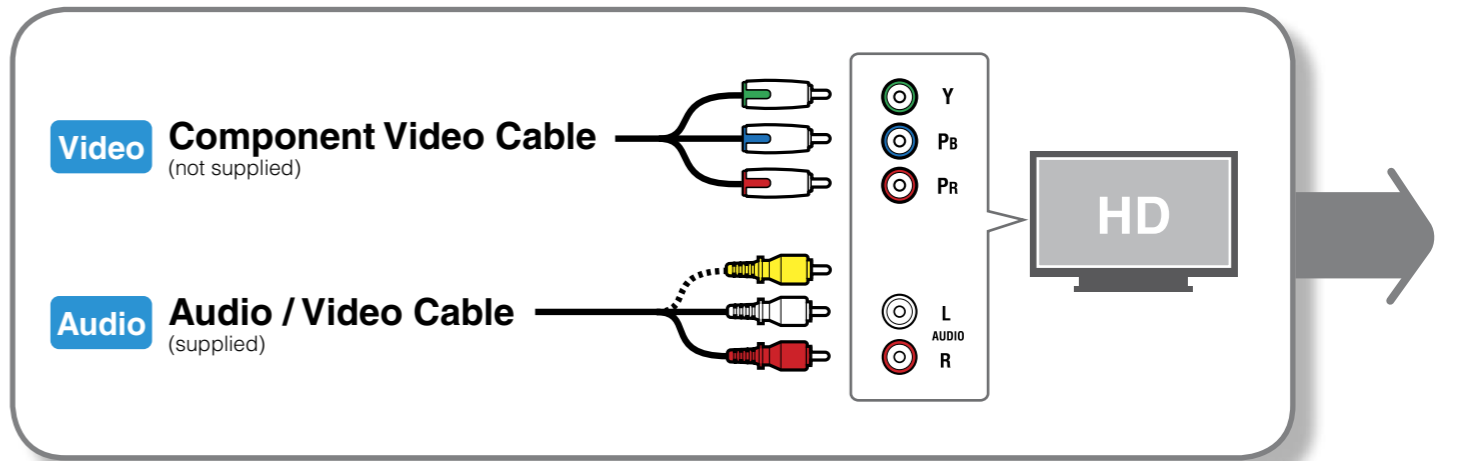
1 Select one of the connections below

The number of stars (★) indicates picture quality.

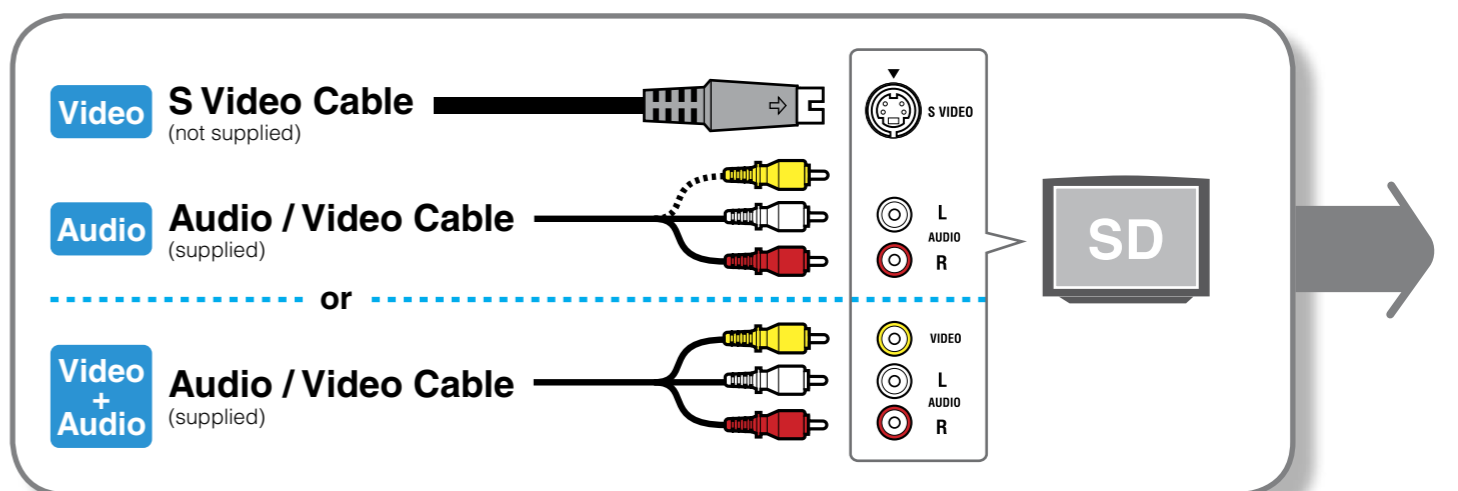
★★★ [HD] Capable up to 1080p, 1080/24p resolution (recommended)



★★ [HD] Capable up to 1080i

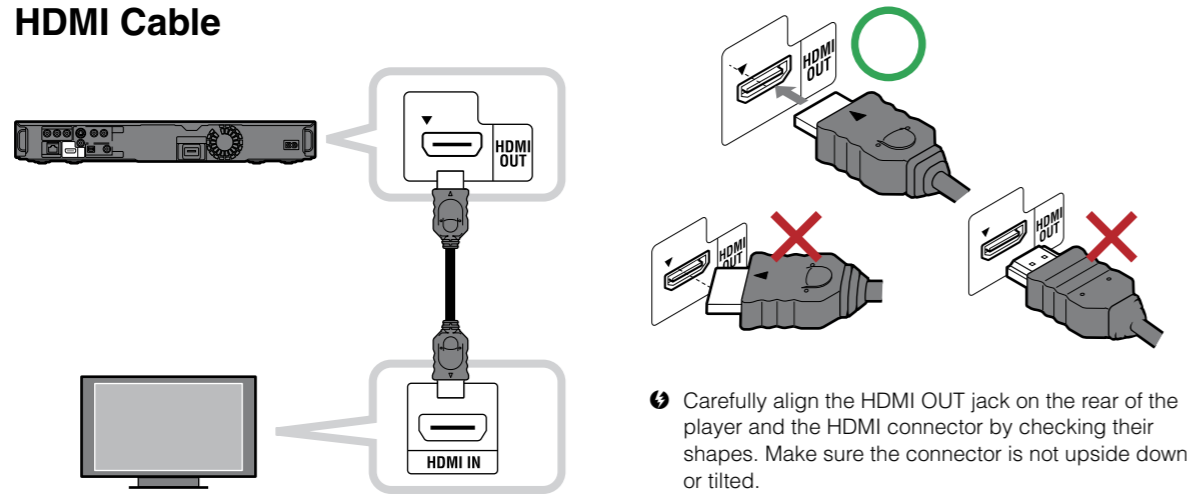


★ [SD] 480i only

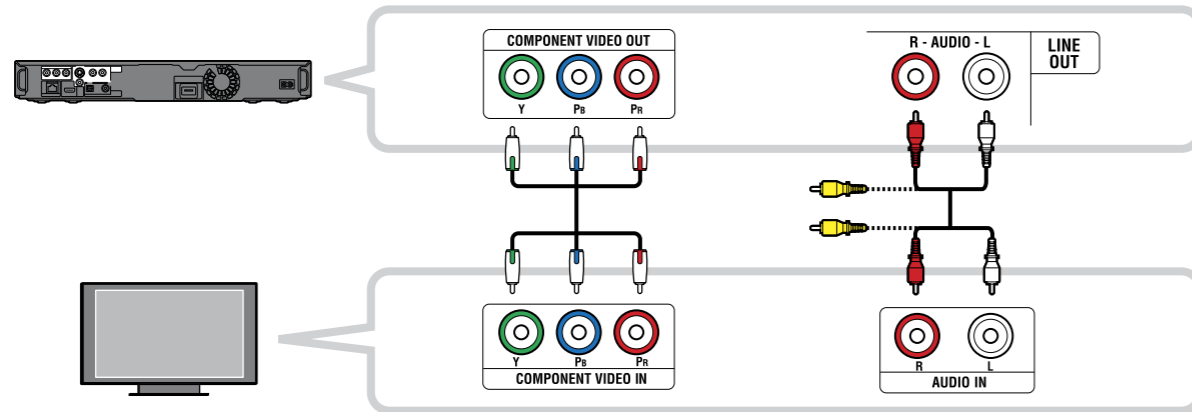


2 Connect

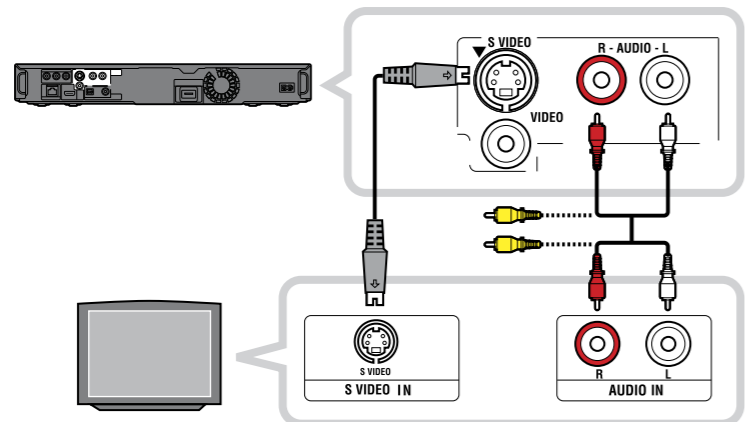
HDMI Cable



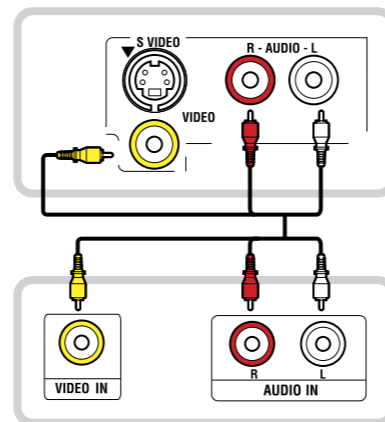
Component Video Cable and Audio / Video Cable



S Video Cable and Audio / Video Cable

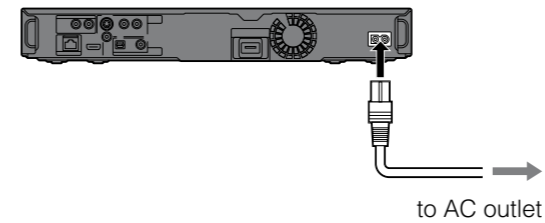


Audio / Video Cable

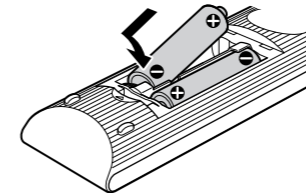


3 Setup

- 1 After all of the other connections are complete, connect the supplied AC power cord.



- 2 Insert two Size AA (R6) batteries.

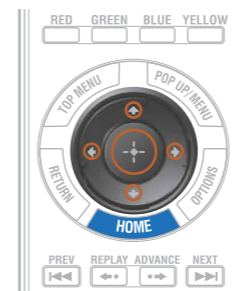


- 3 Turn on your TV and switch the input selector.

- 4 Press I/⏻ to turn on the player.

Wait for a short while before the player turns on. The OSD language selection display appears.

- 5 Perform basic settings by following the on-screen instructions in "Easy Setup" using ←/↑/↓/→/ENTER.

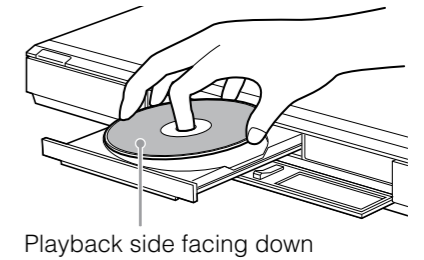


When "Easy Setup" is complete, the player is ready. To shorten the startup time from standby mode, set "Standby Mode" to "Quick Start" in the "System Settings" setup. Refer as well to "Standby Mode" in the Operating Instructions.

- To enjoy more BD functions, the following steps in the supplied Operating Instructions are necessary.
 - Step 3: Inserting the External Memory
 - Step 4: Connecting to the Network

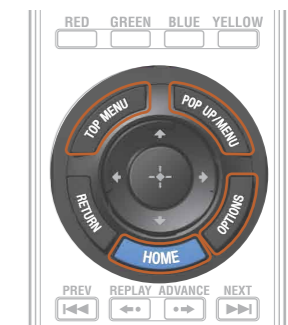
4 Play

- 1 Press ⏻ (open/close), and place a disc on the tray.

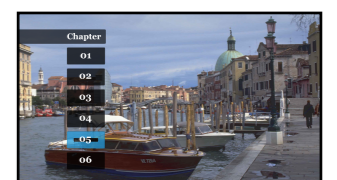


- 2 Press ⏻ (open/close) to close the disc tray. When you insert a commercially available BD-ROM or DVD VIDEO, playback automatically starts depending on the disc. Refer to "Playback" in the Operating Instructions for more details on playback, or when playback does not start automatically.

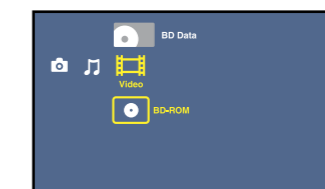
Useful Functions



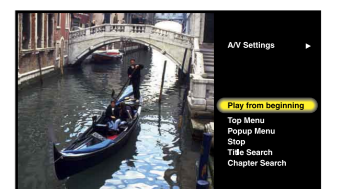
TOP MENU
Shows the original menu provided with the disc.



POP UP / MENU
Shows the pop-up menu, which can be displayed during playback.



HOME
Shows the XMB™ (XrossMediaBar) menu that allows you to operate disc playback and setups.



OPTIONS
Shows the optional menu available in each case.