

# FRIGIDAIRE

GALLERY



## Side-by-Side Refrigerator

FGHS2365K F

23 Cu. Ft. Standard-Depth



### Signature Features



#### SpaceWise™ Organization System

Our SpaceWise™ Organization system makes it easy to keep food organized and easy to find when you need it.



#### Real Stainless Steel

Real stainless steel with a protective coating that reduces fingerprints and smudges so it's easy to clean.



#### PureAir Ultra™ Filters

Keeps the air cleaner and fresher.



#### Best-in-Class Ice & Water Filtration<sup>1</sup>

PureSource Ultra™ Water Filtration offers best-in-class water filtration so you get cleaner, better-tasting water at your fingertips.

### Powerful Performance

Energy Saver Plus Technology  
Quiet Pack

### Performance-Driven Style

Express-Select™ Controls  
Designer Lighting  
Tall, 9-Button Water & Ice Dispenser  
Digital Electronic Temperature Controls  
Textured Cabinet

### SpaceWise™ Design

Refrigerator -  
3 Sliding SpillSafe™ Glass Shelves  
Clear Deli-Drawer  
2 Clear Crispers with Adjustable Humidity Controls  
2 Adjustable Clear Gallon Door Bins  
2 Fixed Clear 2-Liter Door Bins  
Freezer -  
2 Fixed Wire Shelves  
Tilt-Out Wire Shelf  
Tall Plastic Basket  
4 Fixed Door Bins

ENERGY STAR®  
Sabbath Mode (Star-K® Certified)



### Capacities

|                     |               |
|---------------------|---------------|
| Total Capacity      | 22.6 Cu. Ft.  |
| Refrigerator Volume | 14.22 Cu. Ft. |
| Freezer Volume      | 8.33 Cu. Ft.  |

### Overall Exterior Dimensions

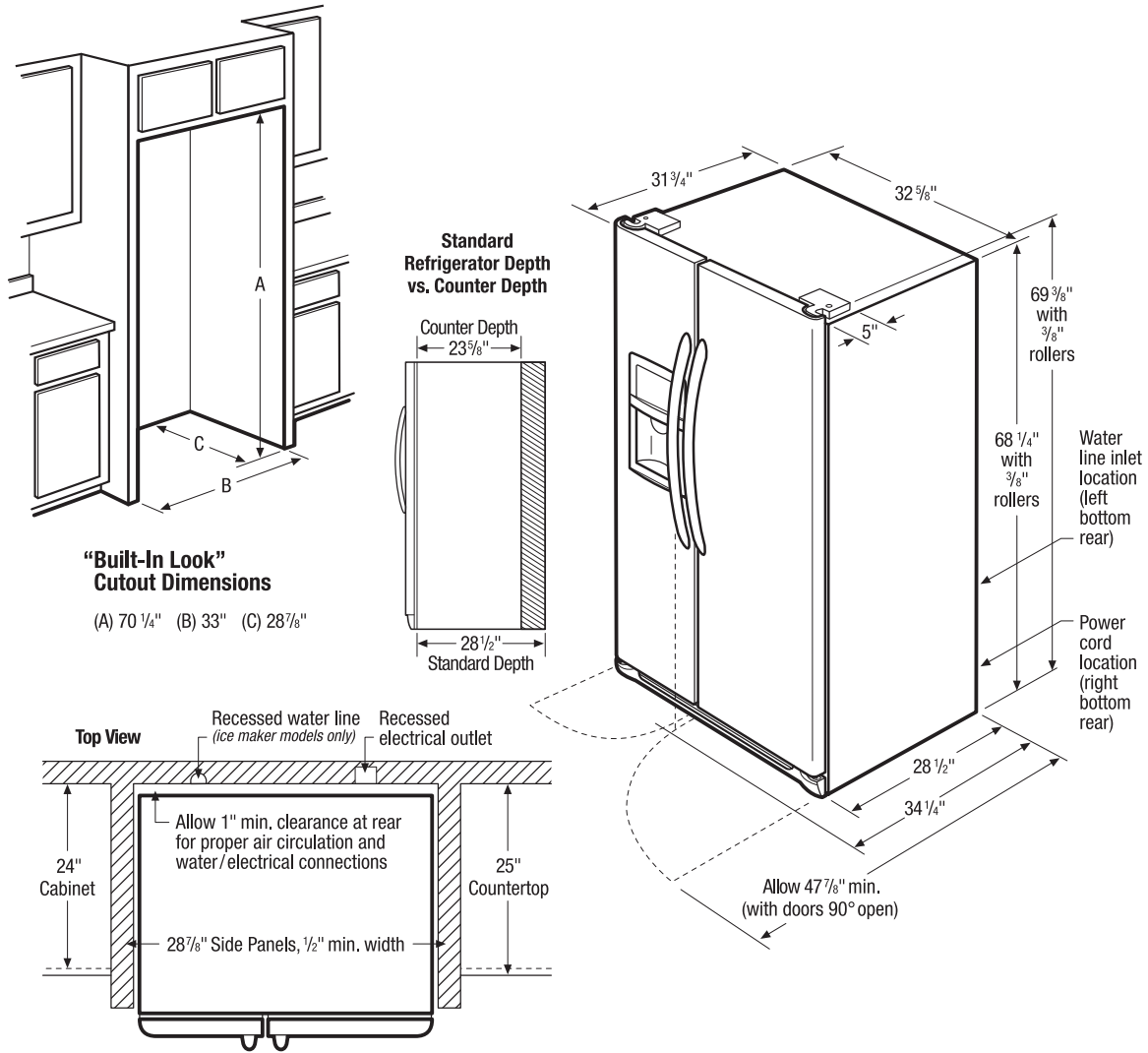
|                                     |         |
|-------------------------------------|---------|
| Height (Including Hinges & Rollers) | 69-3/8" |
| Width                               | 32-5/8" |
| Depth                               | 31-3/4" |

### Available in:



Stainless  
(F)

<sup>1</sup>As compared to other consumer refrigeration water filtration systems.



**Side-by-Side Refrigerator Specifications**

- Product Shipping Weight (approx.) - 285 Lbs.
- Voltage Rating - 120V/60 Hz/15 or 20 Amps
- Connected Load (kW Rating) @ 120 Volts = 1.02 kW (For use on adequately wired 120V, dedicated circuit having 2-wire service with a separate ground wire. Appliance must be grounded for safe operation.)
- Amps @ 120 Volts = 8.5 Amps
- Always consult local and national electric & plumbing codes.
- Floor should be level surface of hard material, capable of supporting fully loaded refrigerator.
- When installing refrigerator adjacent to wall, cabinet or other appliance that extends beyond front edge of unit, 20" minimum clearance recommended to allow for optimum 120° to 180° door swing, providing complete drawer/crisper access and removal. (*Absolute 4-1/2" minimum clearance will ONLY allow for 90° door swing which will provide drawer/crisper access with restricted removal.*)
- To ensure optimum performance, avoid installing in direct sunlight or close proximity to range, dishwasher or other heat source.
- For proper ventilation, front grille MUST remain unobstructed.

- Recess electrical outlet when possible.
- Water recess on rear wall recommended to prevent water line damage.
- Water Pressure - Cold water line must provide between 30 and 100 pounds per square inch (psi).
- Copper tubing with 1/4" O.D. recommended for water supply line with length equal to distance from rear of unit to household water supply line plus 7 additional feet. Optional Water Supply Installation Kits available.
- Adjustable front rollers to assist with door alignment.

**“Built-In Look” Specifications**

- Minimum opening of 70-1/4" H x 33" W x 28-7/8" D required to allow for ease of installation, proper air circulation, and plumbing/electrical connections.
- Remove all wall/floor molding prior to installation.

**Note:** For planning purposes only. Refer to Product Installation Guide on the web at [frigidaire.com](http://frigidaire.com) for detailed instructions.